



US00D712224S

(12) **United States Design Patent**
Zhang

(10) **Patent No.:** **US D712,224 S**

(45) **Date of Patent:** **** Sep. 2, 2014**

(54) **MULTI-TOOL FOR FASTENERS**

(71) Applicant: **Chervon (HK) Limited**, Wanchai (HK)

(72) Inventor: **Su Zhang**, Nanjing (CN)

(73) Assignee: **Chervon (HK) Limited**, Hong Kong (HK)

(**) Term: **14 Years**

(21) Appl. No.: **29/477,496**

(22) Filed: **Dec. 23, 2013**

(30) **Foreign Application Priority Data**

Jun. 26, 2013 (CN) 2013 3 0283454

(51) **LOC (10) Cl.** **08-01**

(52) **U.S. Cl.**
USPC **D8/61**

(58) **Field of Classification Search**

USPC D8/17, 21–29, 59–62, 64, 67, 68, 70,
D8/82; 81/54, 57, 57.11, 57.13, 57.14,
81/57.42, 57.29, 57.39, 58, 60–63.2,
81/177.1, 177.4, 177.6, 177.8, 177.9,
81/177.85; 173/13, 104, 114, 168; 227/8,
227/113, 114, 120, 130, 136, 142; 408/20,
408/124, 125, 234, 241 R

See application file for complete search history.

(56) **References Cited**

U.S. PATENT DOCUMENTS

D568,704 S * 5/2008 Aglassinger D8/62
D576,461 S * 9/2008 Bast D8/62
D588,891 S * 3/2009 Hayakawa et al. D8/61

D602,756 S * 10/2009 Henssler et al. D8/61
D643,700 S * 8/2011 Schultheiss et al. D8/64
D648,997 S * 11/2011 Allan et al. D8/61
D653,922 S * 2/2012 Henssler et al. D8/61
D658,464 S * 5/2012 Kawase et al. D8/61
D662,800 S * 7/2012 Blythe et al. D8/61
D663,181 S * 7/2012 Zhou et al. D8/61
D674,676 S * 1/2013 Wang D8/61
D682,649 S * 5/2013 Aglassinger D8/61
D683,202 S * 5/2013 Aglassinger D8/61
D689,754 S * 9/2013 Hayakawa et al. D8/61
D696,916 S * 1/2014 Takahashi et al. D8/61
D701,440 S * 3/2014 Naksen D8/61
D701,441 S * 3/2014 Yaschur D8/61
2011/0108298 A1 * 5/2011 Zhou 173/122

* cited by examiner

Primary Examiner — Austin Murphy

(74) *Attorney, Agent, or Firm* — Greenberg Traurig, LLP

(57) **CLAIM**

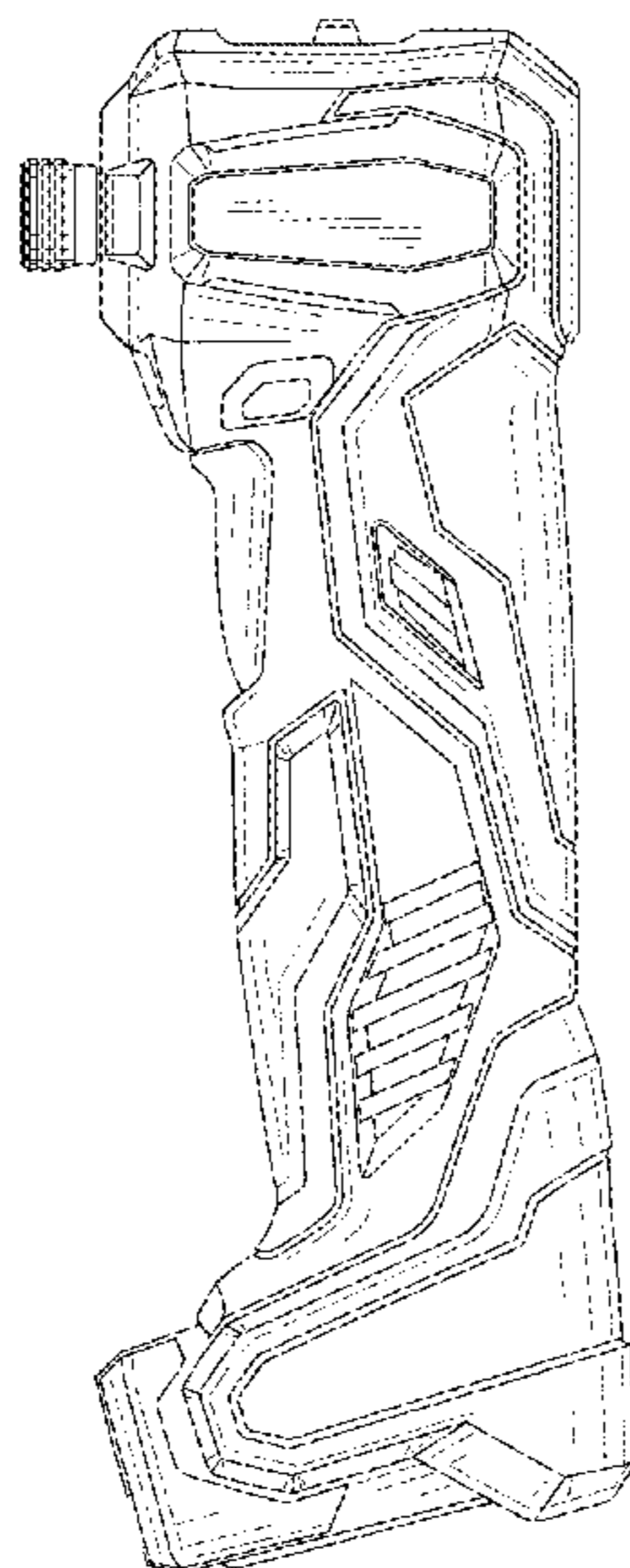
What is claimed is the ornamental design for a multi-tool for fasteners, as shown and described.

DESCRIPTION

FIG. 1 is a left side elevational view of a multi-tool for fasteners showing my new design;
FIG. 2 is a right side elevational view thereof;
FIG. 3 is a front side elevational view thereof;
FIG. 4 is a rear side elevational view thereof;
FIG. 5 is a top plan view thereof;
FIG. 6 is a bottom plan view thereof; and,
FIG. 7 is a perspective view thereof.

Any elements shown in dotted and/or dashed lines are provided for illustrative purposes only and form no part of the design claimed. Any surface shading is used solely to show the character or contour of the surfaces represented.

1 Claim, 6 Drawing Sheets



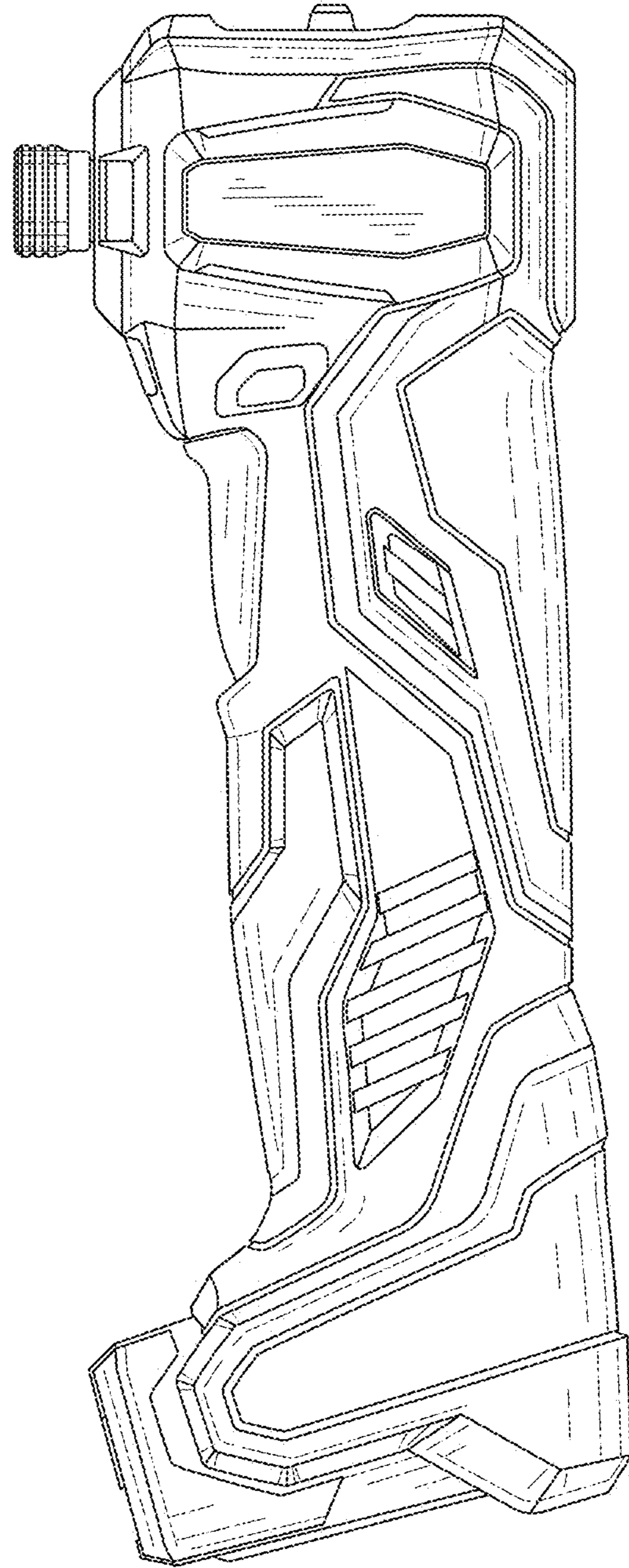


Fig. 1

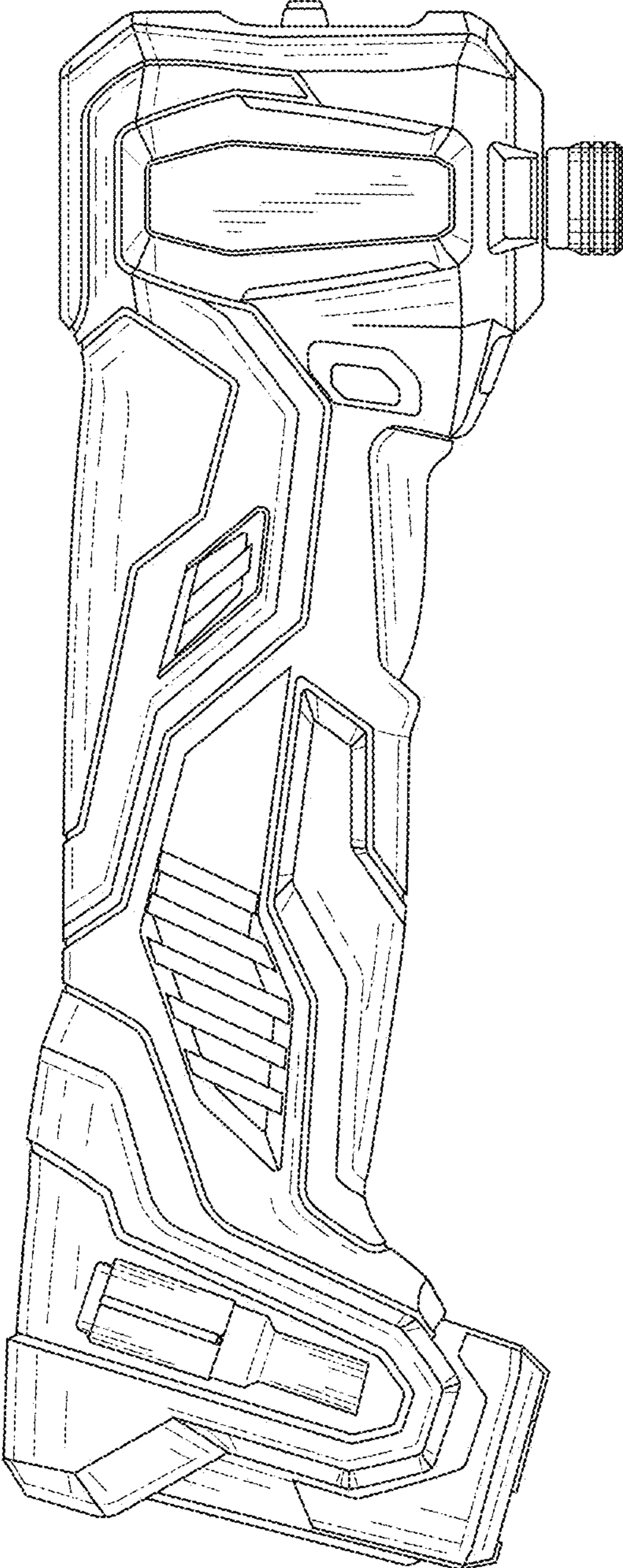


Fig. 2

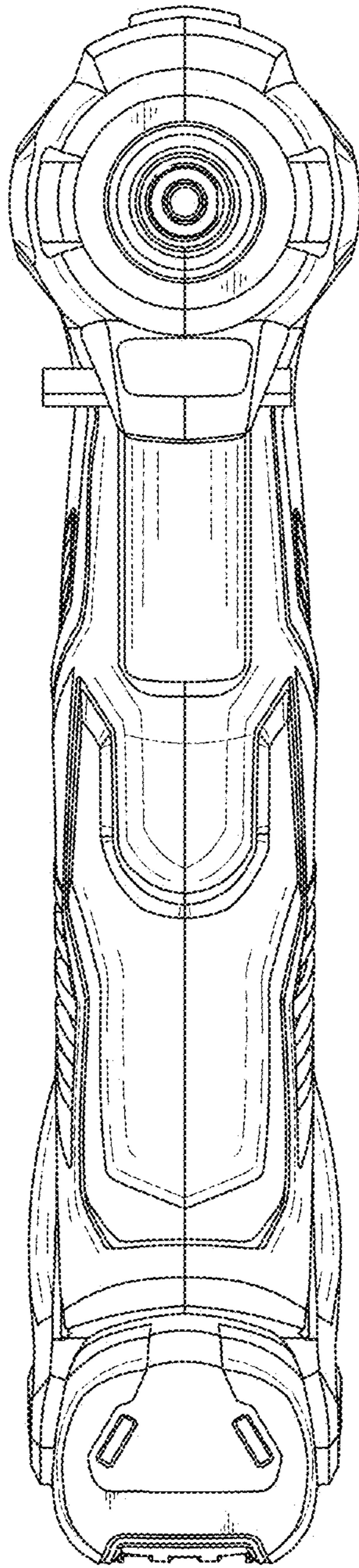


Fig. 3

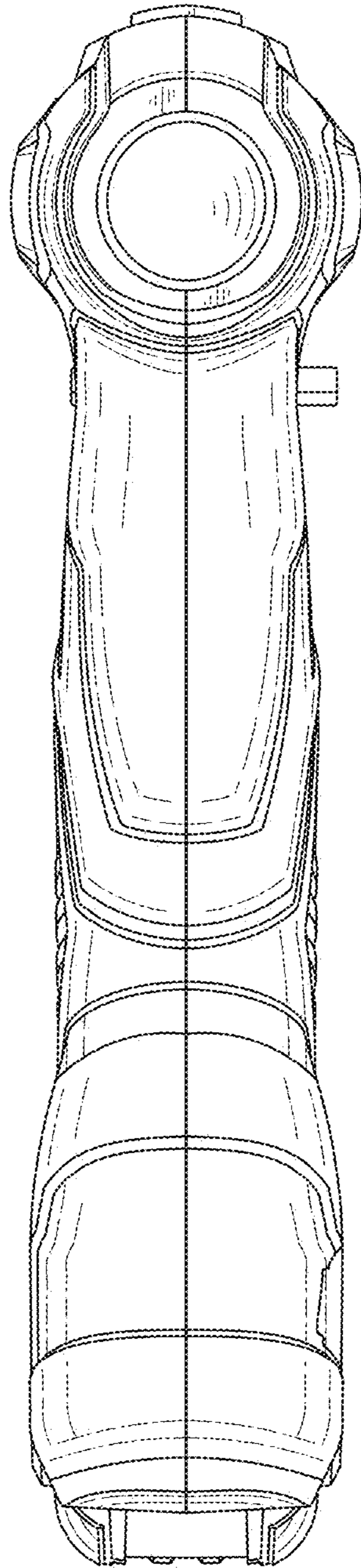


Fig. 4

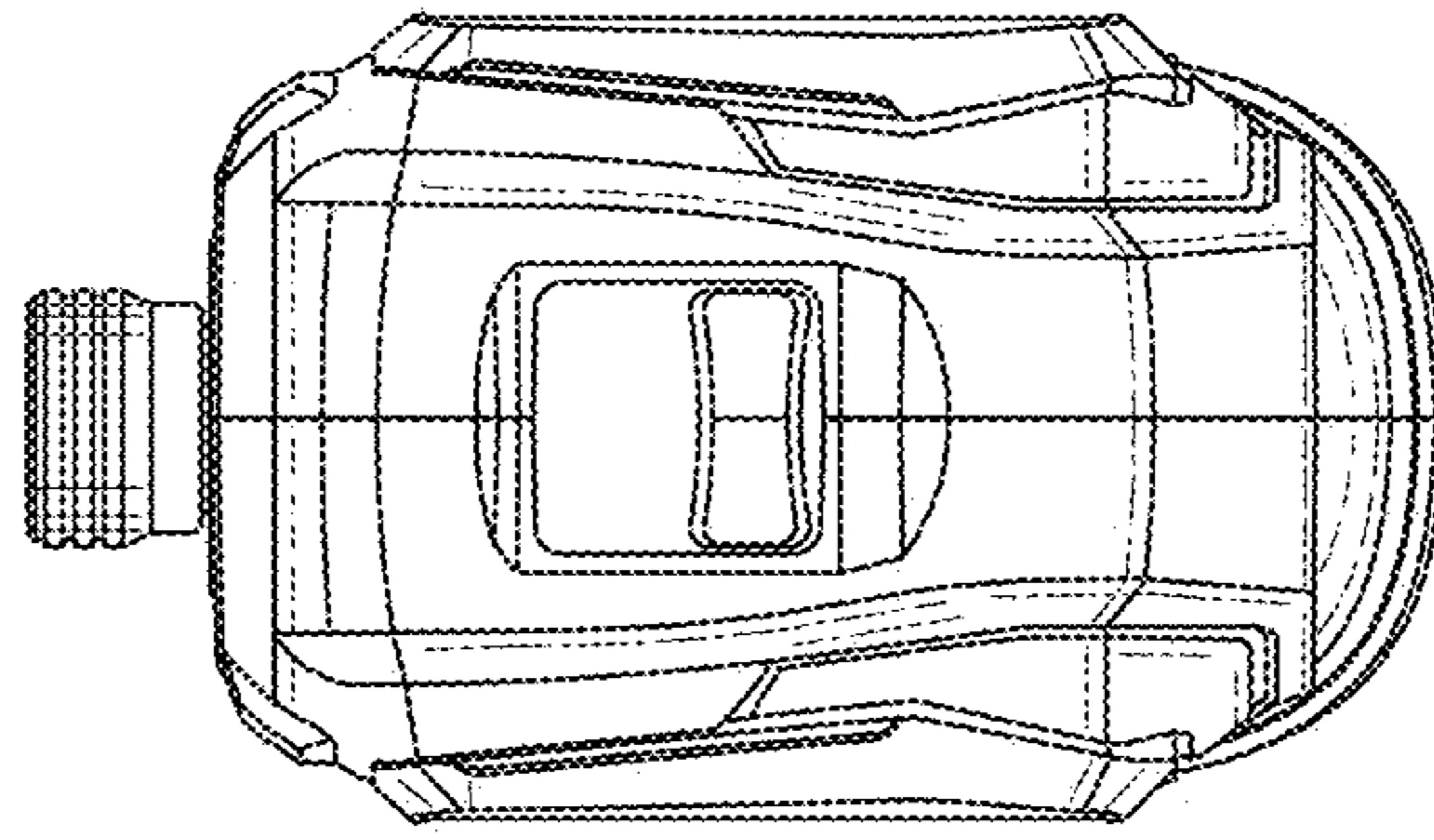


Fig. 5

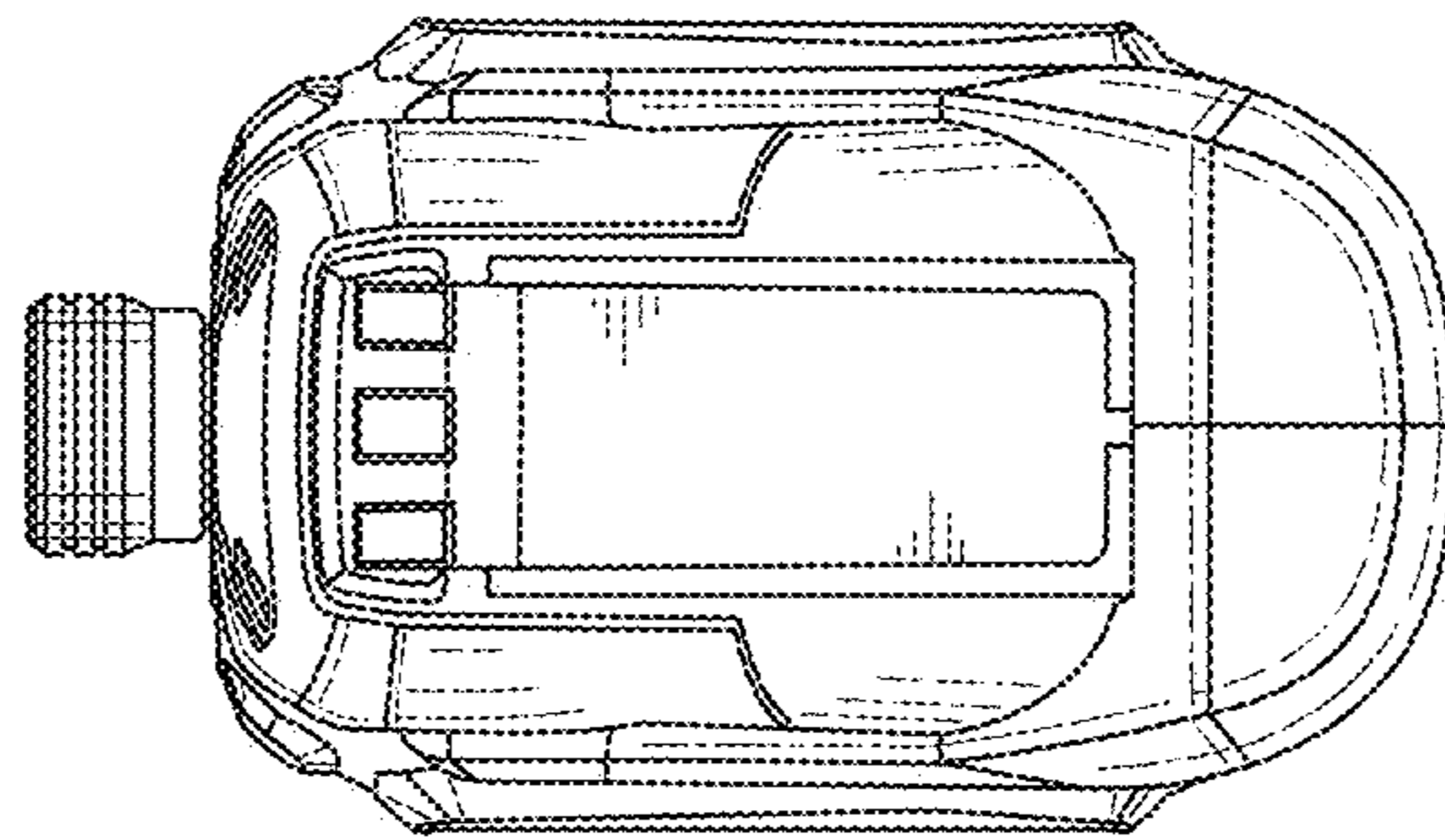


Fig. 6

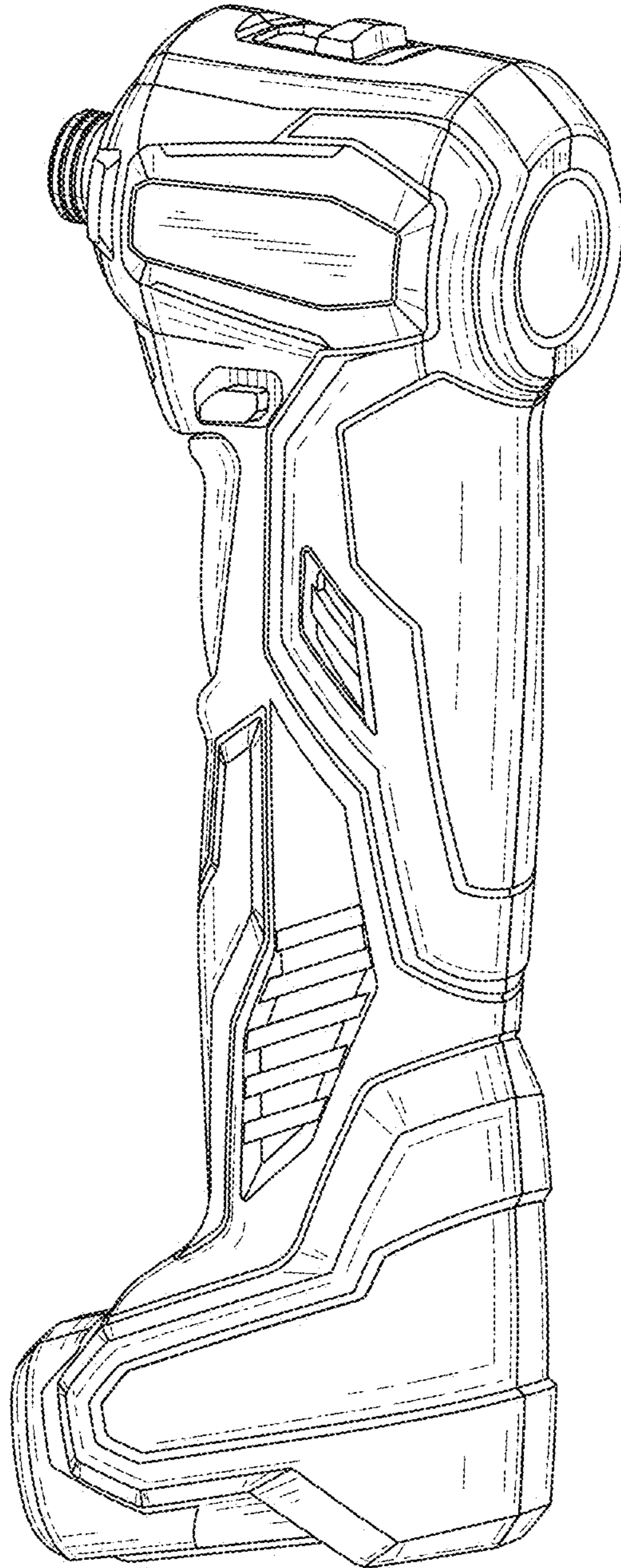


Fig. 7