



US00D712223S

(12) **United States Design Patent**
Romley

(10) **Patent No.:** **US D712,223 S**

(45) **Date of Patent:** **** Sep. 2, 2014**

(54) **BOTTLE OPENER**

(71) Applicant: **Michael Romley**, Phoenix, AZ (US)

(72) Inventor: **Michael Romley**, Phoenix, AZ (US)

(**) Term: **14 Years**

(21) Appl. No.: **29/465,508**

(22) Filed: **Aug. 28, 2013**

(51) **LOC (10) Cl.** **07-99**

(52) **U.S. Cl.**
USPC **D8/38**

(58) **Field of Classification Search**
USPC D8/18, 33-43, 88, 89, 105; 7/113,
7/151-156; 81/3.07, 3.09, 3.2, 3.27,
81/3.29, 3.31, 3.35, 3.37, 3.4, 3.48, 3.49,
81/3.55; D11/143, 144, 152

See application file for complete search history.

(56) **References Cited**

U.S. PATENT DOCUMENTS

D110,286 S *	6/1938	Krehbiel	D11/152
3,375,954 A *	4/1968	Honkanen et al.	206/520
D228,224 S *	8/1973	Schlanger	D8/18
D340,674 S *	10/1993	Carlson	D11/152
D405,387 S *	2/1999	Masello	D11/152
D657,644 S *	4/2012	Romley	D8/40
D680,376 S *	4/2013	Romley	D7/528

D680,377 S *	4/2013	Romley	D7/532
D685,620 S *	7/2013	Wysoczynski et al.	D8/40
D704,592 S *	5/2014	Hung et al.	D11/152

OTHER PUBLICATIONS

Gadgets and Gear, Red Cup Bottle Opener, http://www.gadgetsandgear.com/red-cup-bottle-opener.html?utm_source=red-cup-bottle-opener&utm_medium=shopping%2Bengine&utm_campaign=Google_Products&gclid=CI3ItfqRkrkCFS6CQgodvHoAVw, screen shot taken Aug. 26, 2013 (opener on bottom).

* cited by examiner

Primary Examiner — Elizabeth Albert

(74) *Attorney, Agent, or Firm* — Venable, Campillo, Logan & Meaney, P.C.

(57) **CLAIM**

The ornamental design for a bottle opener, as shown and described.

DESCRIPTION

FIG. 1 is a top front perspective view of a bottle opener embodying the new design;

FIG. 2 is a front view of the bottle opener of FIG. 1;

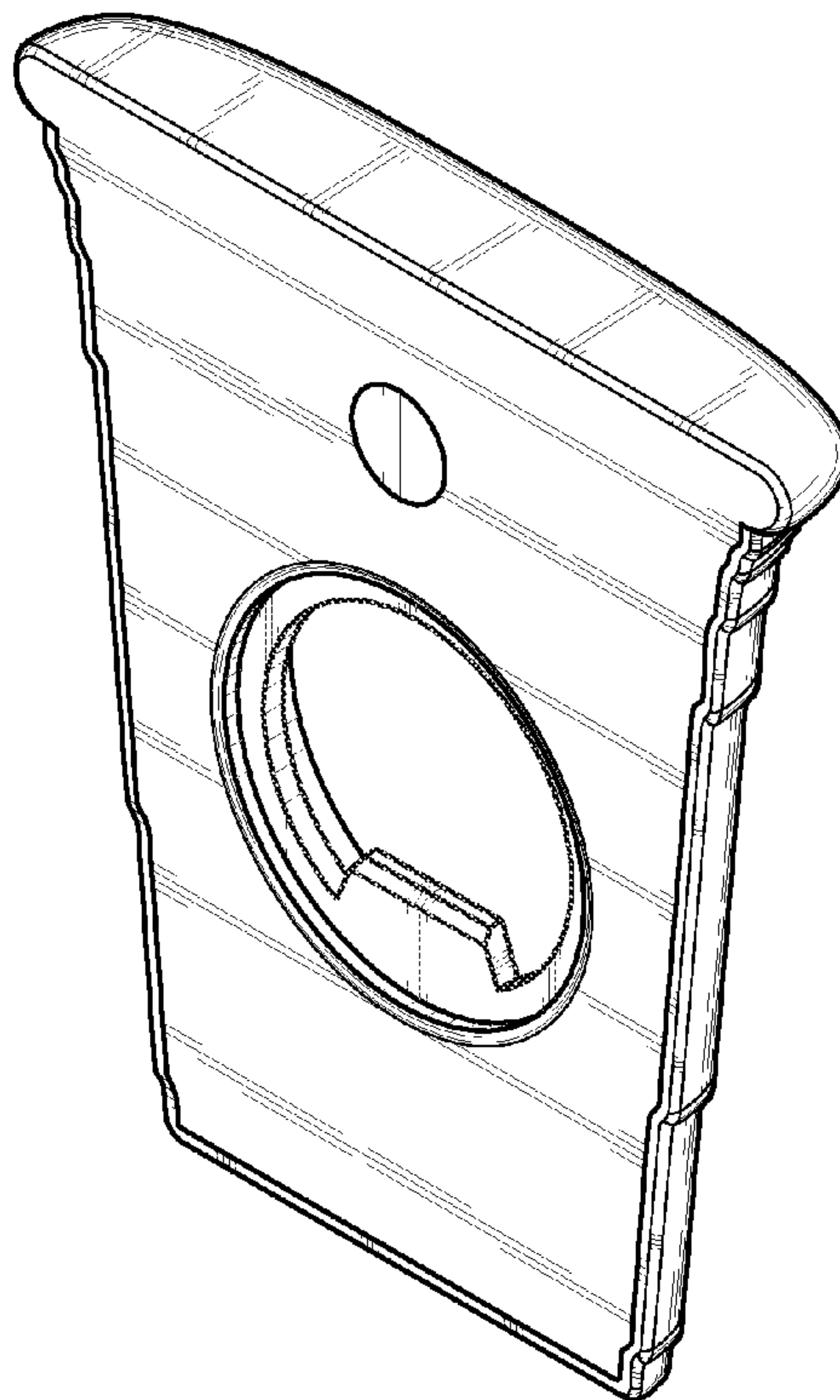
FIG. 3 is a back view of the bottle opener of FIG. 1;

FIG. 4 is a side view of the bottle opener of FIG. 1;

FIG. 5 is a top view of the bottle opener of FIG. 1; and,

FIG. 6 is bottom view of the bottle opener of FIG. 1.

1 Claim, 4 Drawing Sheets



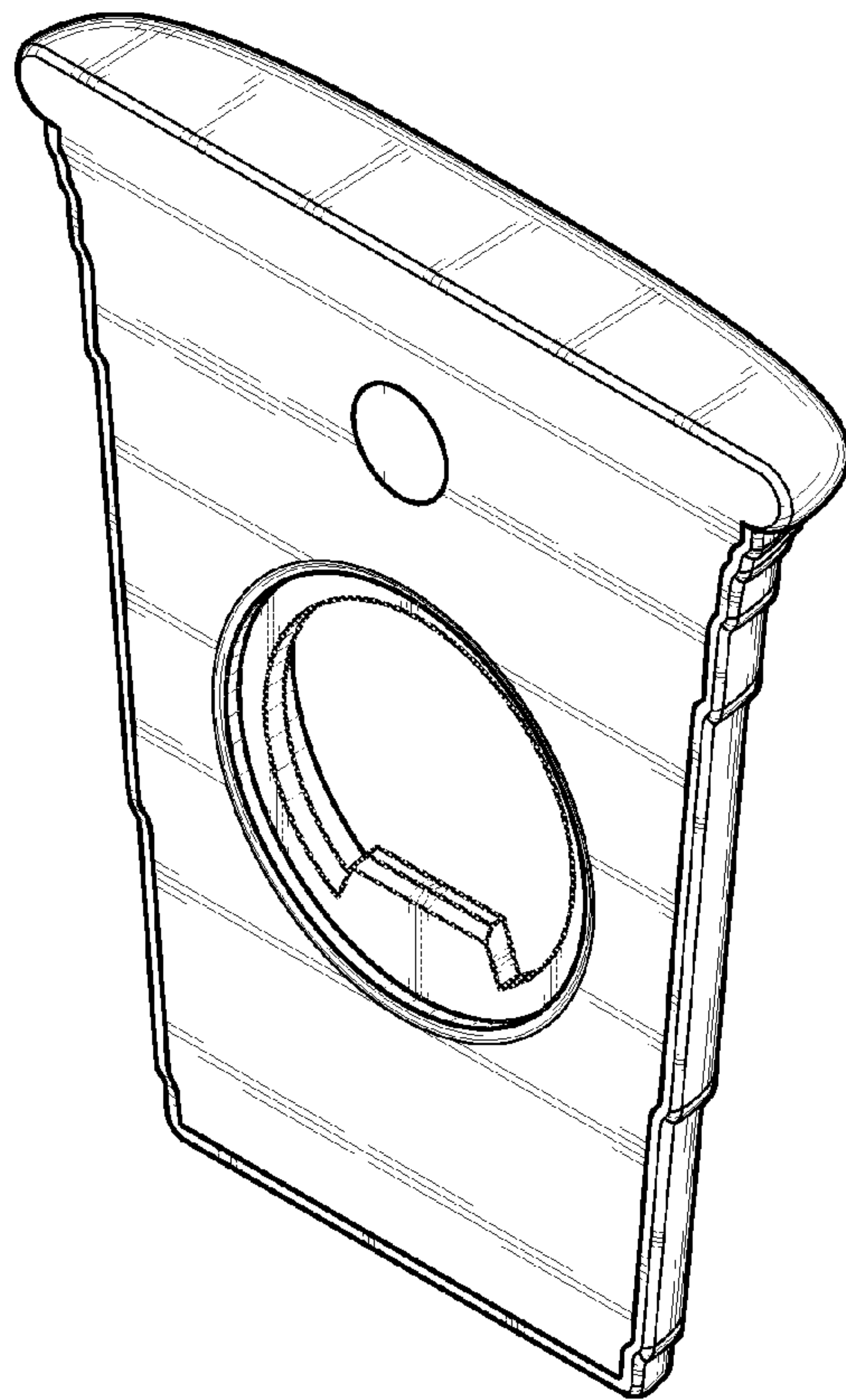


FIG. 1

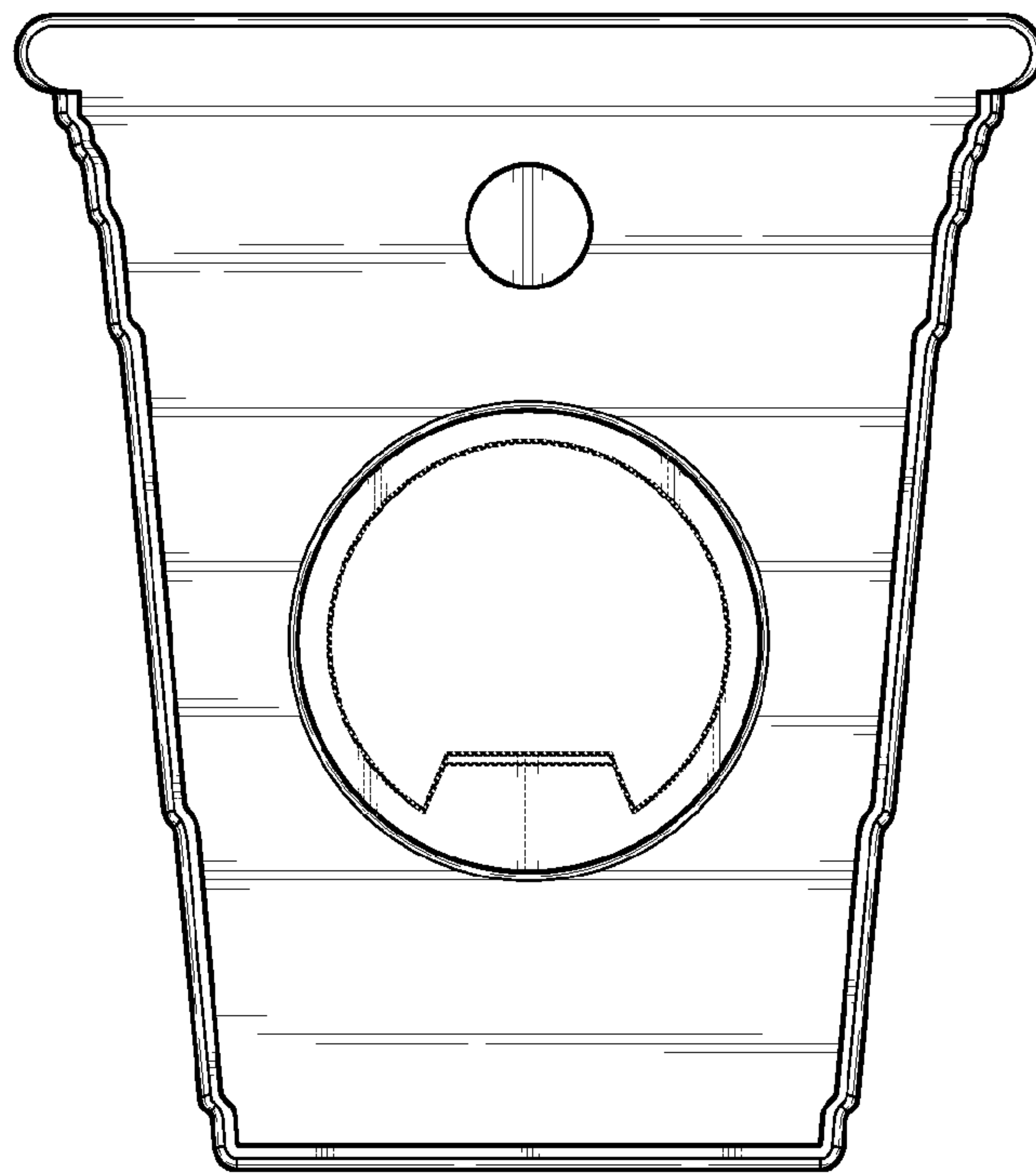


FIG. 2

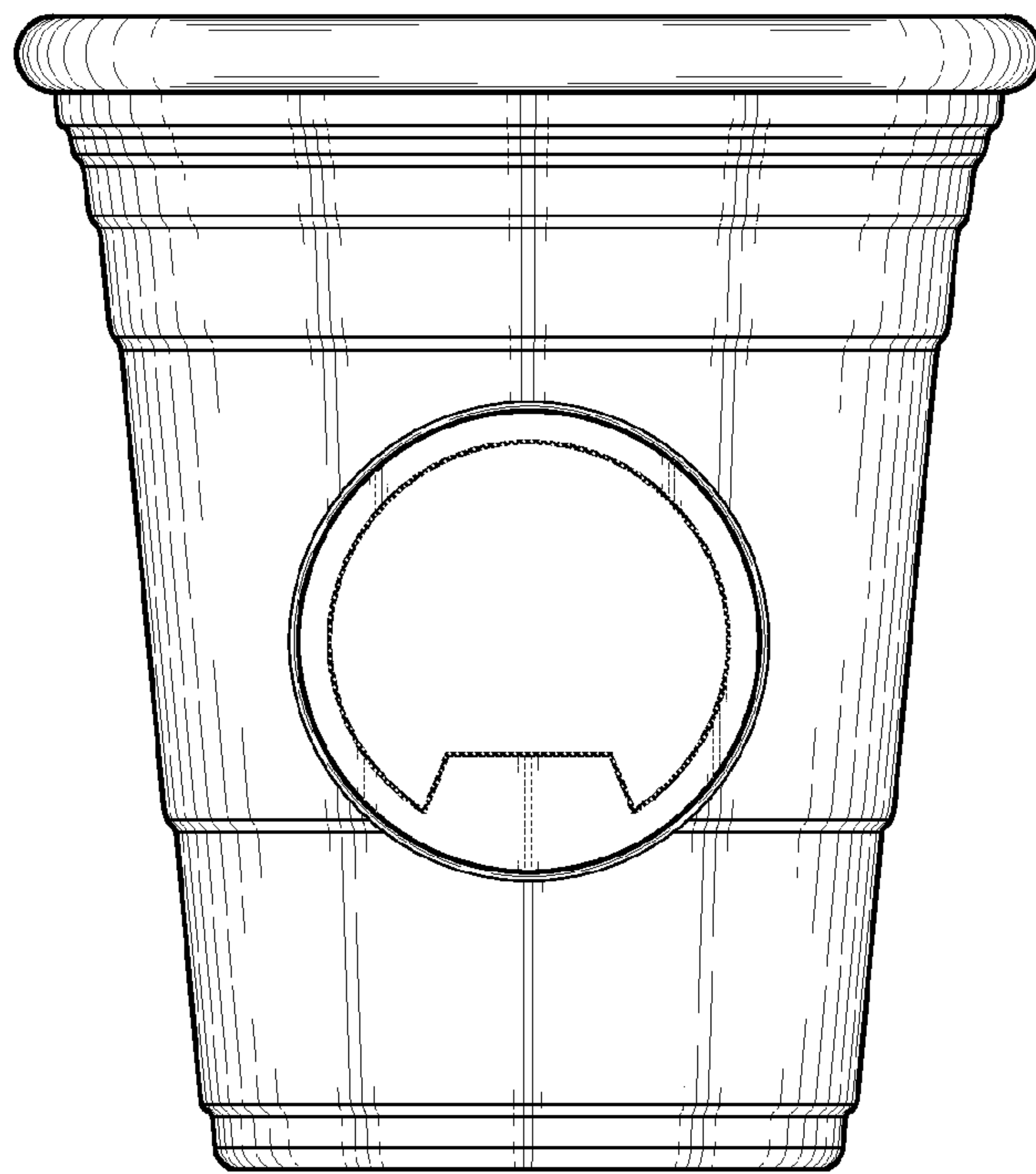


FIG. 3

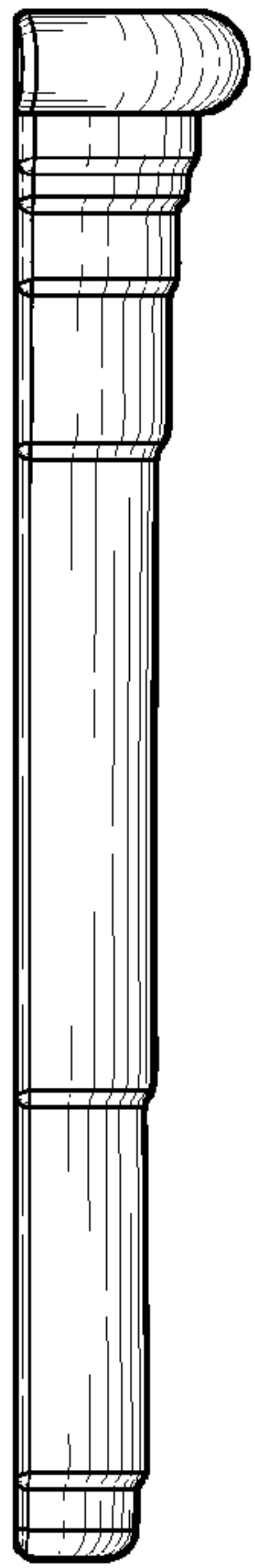


FIG. 4

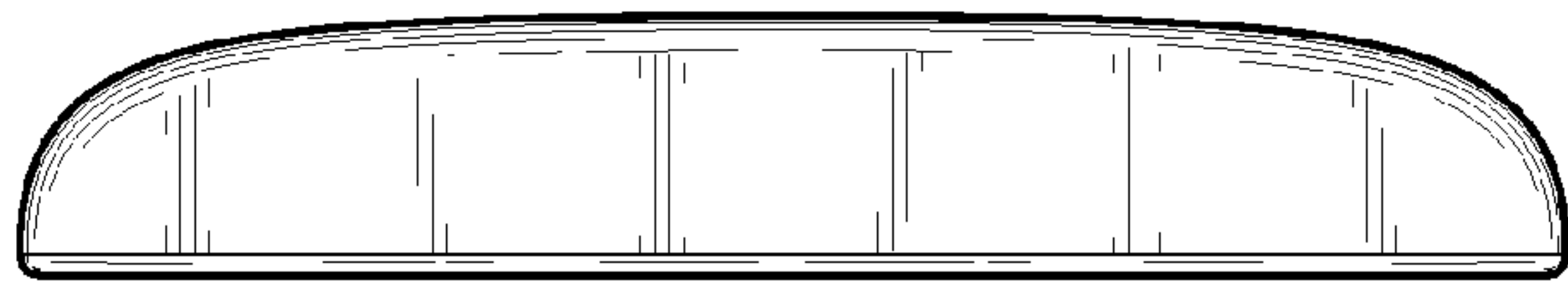


FIG. 5



FIG. 6