



US00D712222S

(12) **United States Design Patent**
Cummings et al.

(10) **Patent No.:** **US D712,222 S**
(45) **Date of Patent:** **** Sep. 2, 2014**

- (54) **RATCHET WRENCH**
- (71) Applicant: **Lowell Corporation**, West Boylston, MA (US)
- (72) Inventors: **David S. Cummings**, Princeton, MA (US); **Derek Silsby**, Worcester, MA (US); **Paul Carnes**, North Dartmouth, MA (US)
- (73) Assignee: **Lowell Corporation**, West Boylston, MA (US)
- (**) Term: **14 Years**
- (21) Appl. No.: **29/451,463**
- (22) Filed: **Apr. 2, 2013**
- (51) **LOC (10) Cl.** **08-05**
- (52) **U.S. Cl.**
USPC **D8/25; D8/27; D8/28**
- (58) **Field of Classification Search**
USPC D8/21-30; 81/60, 177.1, 177.85, 121.1, 81/124.3, 165-170, 110.1, 176.2, 124.6, 81/176.1, 176.15, 177.2, 186, 125, 119, 81/180.1, 185.02; 16/110.1; D15/144.1; 219/75, 227, 229, 121.16, 121.18
See application file for complete search history.

6,193,624	B1 *	2/2001	Lund	474/203
D441,625	S *	5/2001	Chen	D8/28
6,318,216	B1 *	11/2001	Eggert et al.	81/61
D485,144	S *	1/2004	Levine et al.	D8/28
D514,405	S *	2/2006	Chaconas	D8/25
D605,914	S *	12/2009	Brovold	D8/28
D607,289	S *	1/2010	Lambert	D8/28

OTHER PUBLICATIONS

All-Ways Rigging Gear; NGK Tension Meters, Ratchet Pullers & Wrenches; <http://www.all-ways.com.au/ngk-tension-meters>; last accessed Jul. 25, 2012.

* cited by examiner

Primary Examiner — Randall Gholson

(74) *Attorney, Agent, or Firm* — Dingman, McInnes & McLane, LLP

(57) **CLAIM**

The ornamental design for a ratchet wrench, as shown and described.

DESCRIPTION

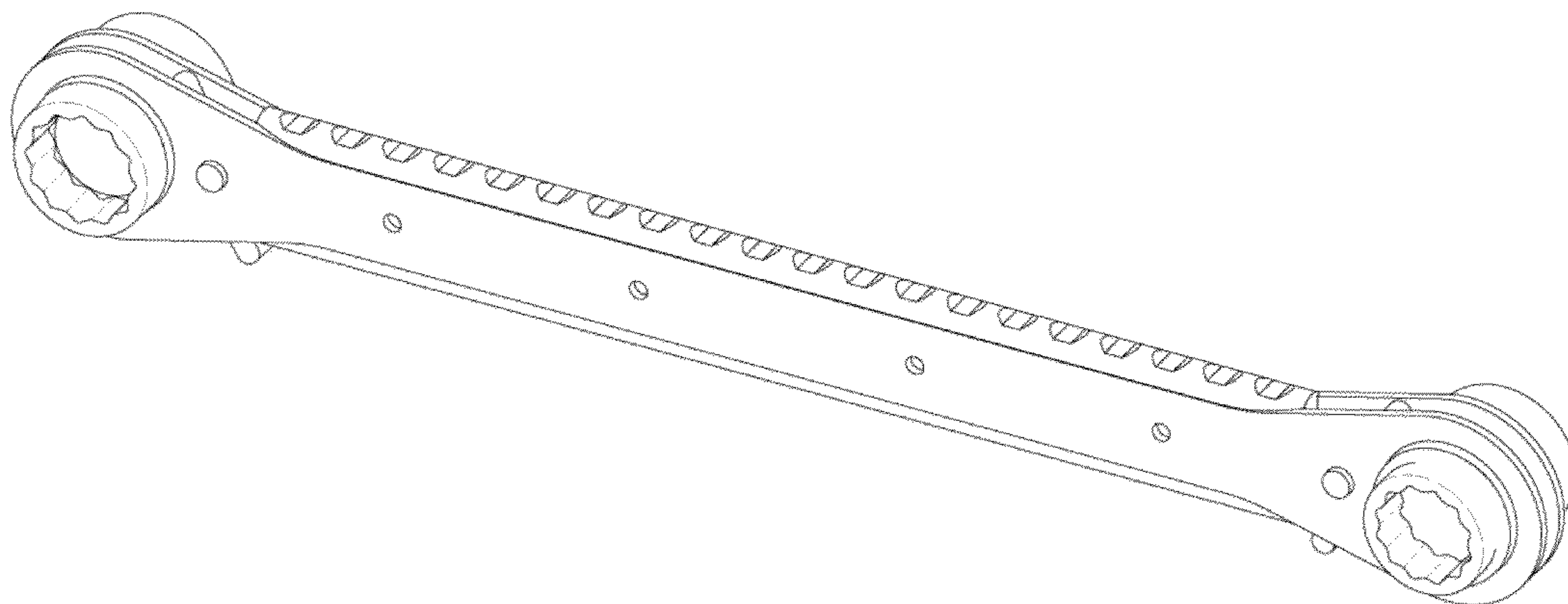
FIG. 1 is a perspective view of a ratchet wrench according to our new design;
FIG. 2 is a front view thereof;
FIG. 3 is a rear view thereof;
FIG. 4 is a top view thereof;
FIG. 5 is a bottom view thereof;
FIG. 6 is a right side view thereof; and,
FIG. 7 is a left side view thereof.
The portions of the ratchet wrench shown in broken lines form no part of the claimed design.

1 Claim, 7 Drawing Sheets

(56) **References Cited**

U.S. PATENT DOCUMENTS

4,184,390	A *	1/1980	Evans	81/57.3
5,144,869	A *	9/1992	Chow	81/63



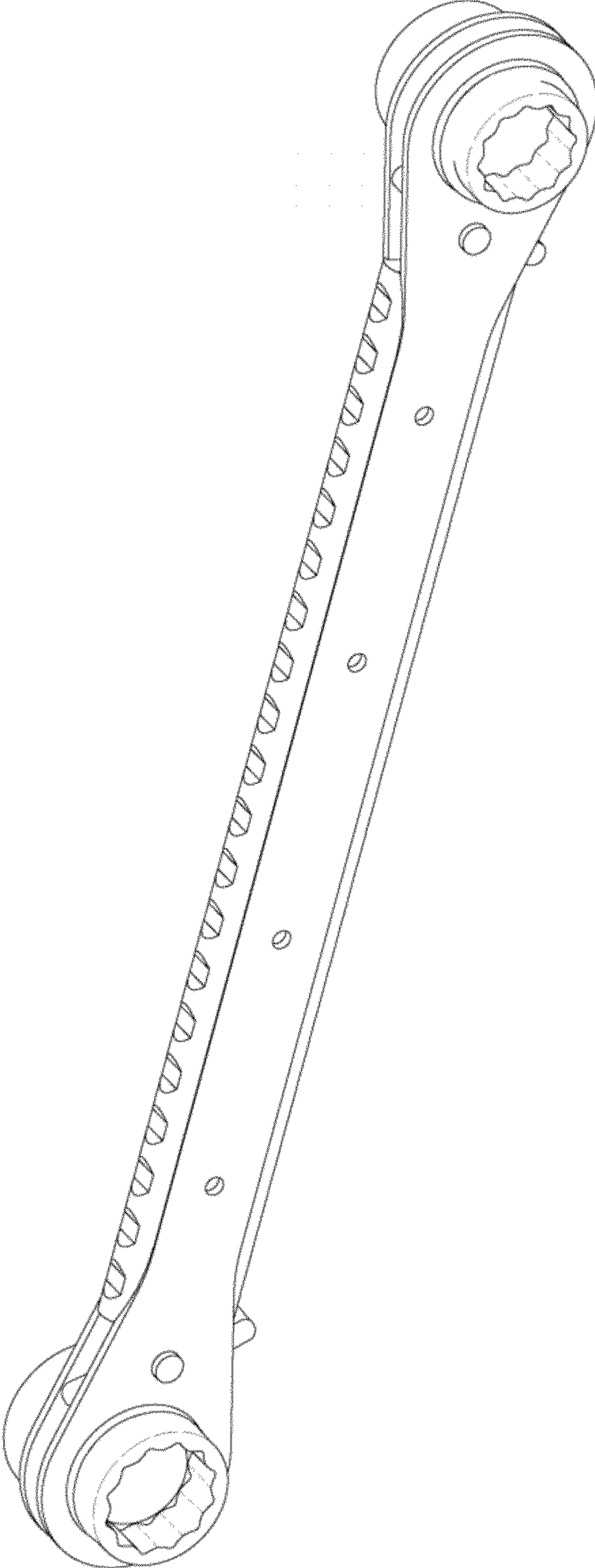


FIG. 1

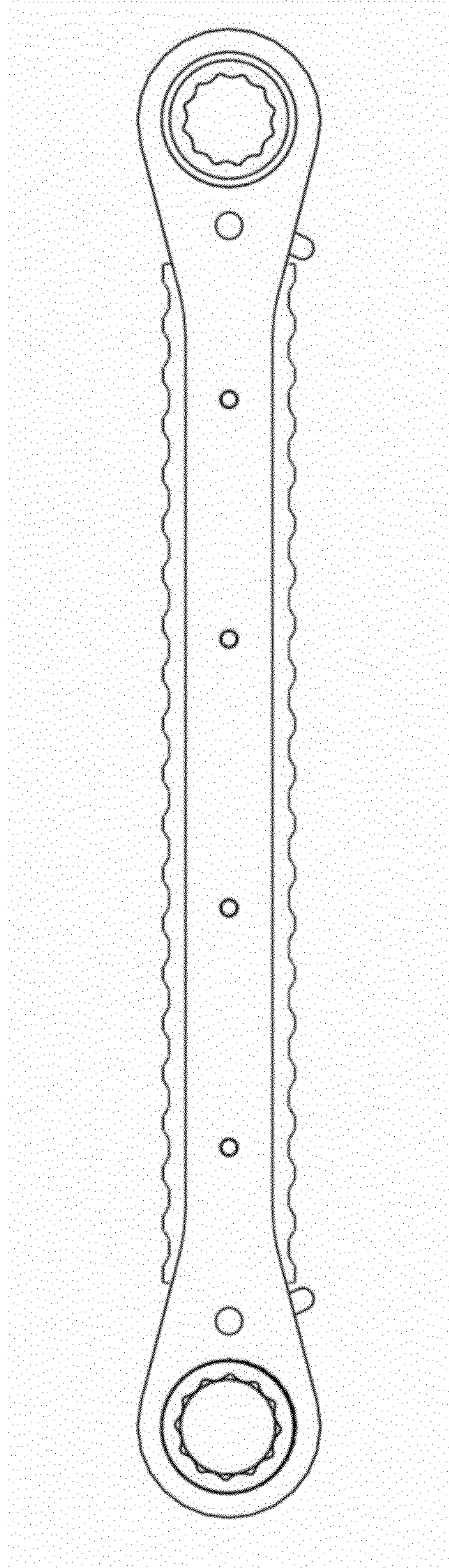


FIG. 2

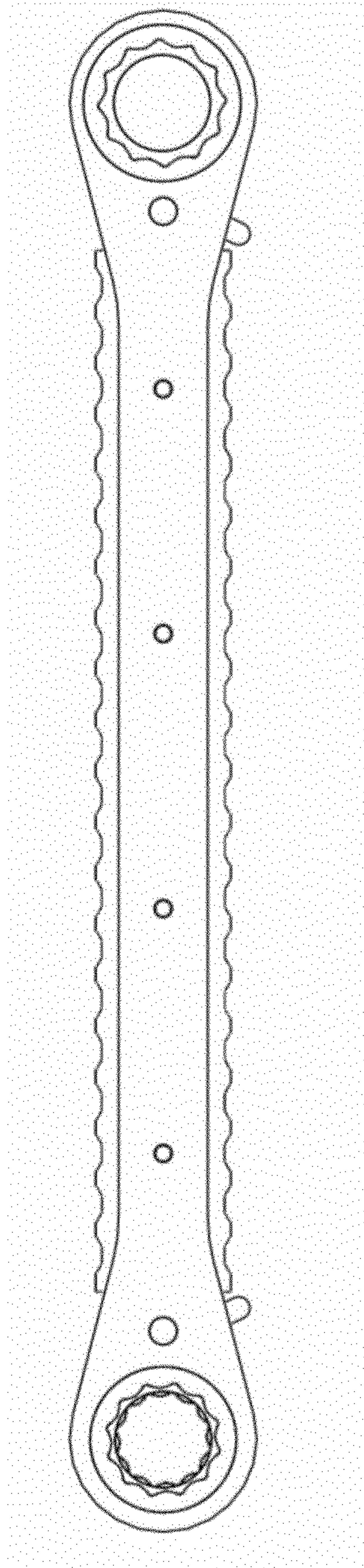


FIG. 3

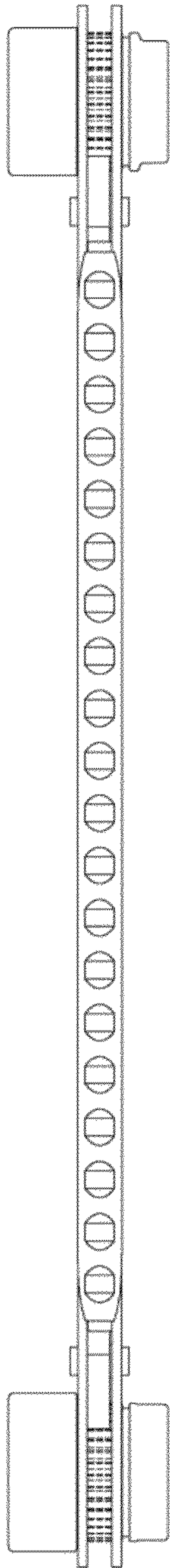


FIG. 4

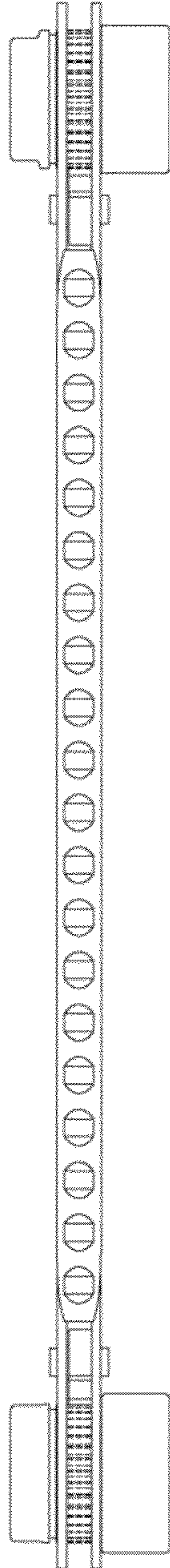


FIG. 5

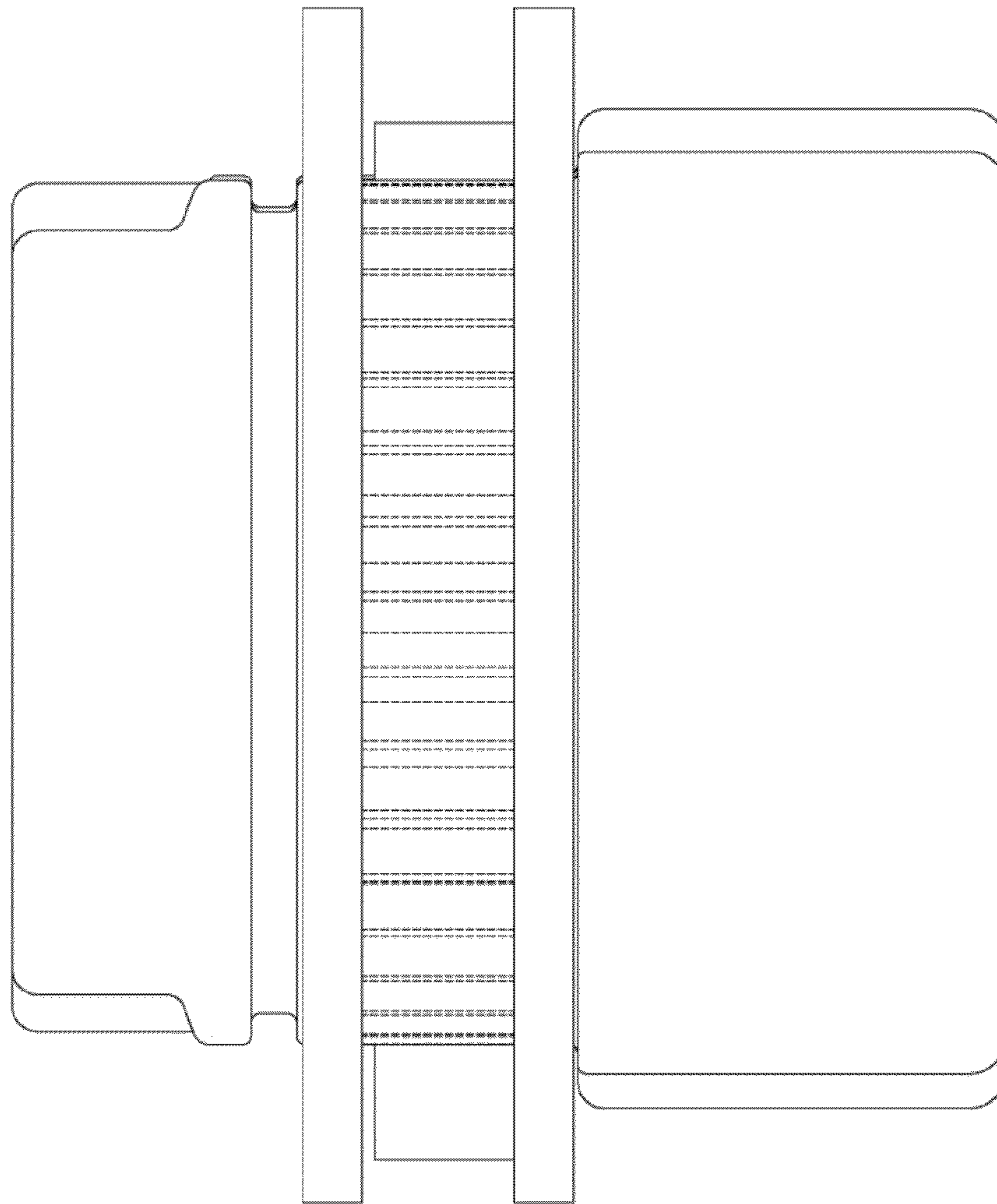


FIG. 6

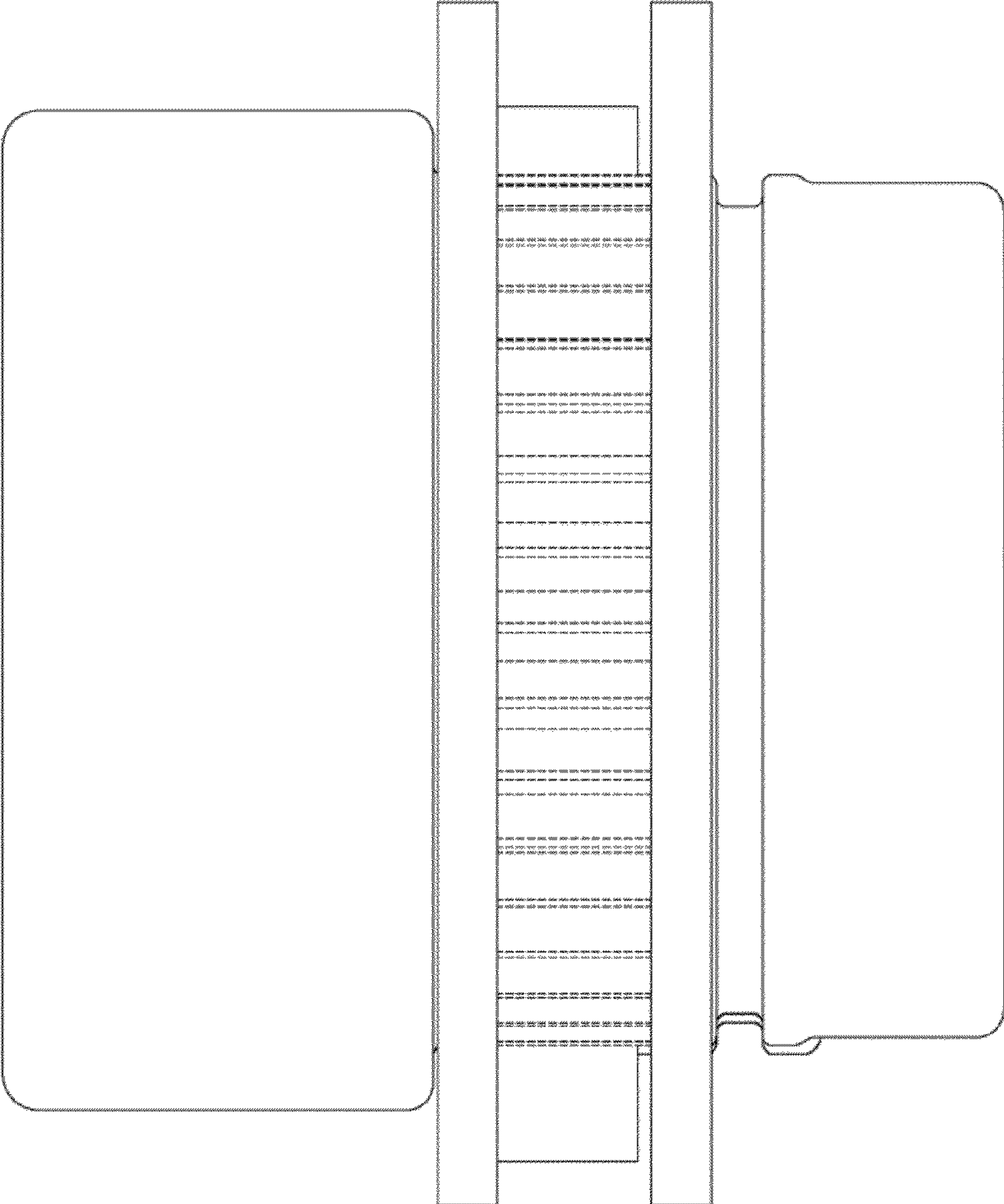


FIG. 7