



US00D712221S

(12) **United States Design Patent**  
**Kovach**

(10) **Patent No.:** **US D712,221 S**

(45) **Date of Patent:** **\*\* Sep. 2, 2014**

- (54) **DRAIN REMOVAL TOOL**
- (75) Inventor: **James A. Kovach**, Parma, OH (US)
- (73) Assignee: **Superior Tool Corporation**, Cleveland, OH (US)
- (\*\*) Term: **14 Years**
- (21) Appl. No.: **29/402,649**
- (22) Filed: **Sep. 26, 2011**
- (51) **LOC (10) Cl.** ..... **08-05**
- (52) **U.S. Cl.**  
USPC ..... **D8/14**
- (58) **Field of Classification Search**  
USPC ..... D8/14, 29, 51, 499; D15/138-140;  
81/176.2, 176.15, 52, 442, 445  
See application file for complete search history.

7,644,876	B2 *	1/2010	Weis et al.	.....	239/428.5
7,963,197	B2 *	6/2011	Starko	.....	81/176.15
2004/0020336	A1 *	2/2004	Farrell et al.	.....	81/461
2004/0255727	A1	12/2004	Kovach		
2006/0243102	A1 *	11/2006	Vines	.....	81/124.2

**OTHER PUBLICATIONS**

Drain Plug Tool. Snagged Oct. 3, 2012 at [http://www.germanautoparts.com/Tools/Volkswagen/Clutch+%26+transmission+tools.\\*](http://www.germanautoparts.com/Tools/Volkswagen/Clutch+%26+transmission+tools.*)

Drain Plug Wrench. Downloaded from <http://www.braidproducts.com/tools/drain-plug-wrench.html> Oct. 3, 2012.\*

Gearbox Plug Removal Tool. Downloaded from <http://www.myturbodiesel.com/forum/f8/gearbox-plug-removal-tool-12346/> Oct. 3, 2012.\*

Superior Tool Corp., Product Catalog, P.O. Plug Wrench, 2007.

Superior Tool Corp., 5-Piece Plumber's Extractor Kit, USAB2C Online Catalog, May 31, 2011.

Master Drain Extractor, Facebook.com, Jan. 2011.

\* cited by examiner

*Primary Examiner* — Susan E Krakower  
*Assistant Examiner* — Roselynn Cody

(56) **References Cited**

**U.S. PATENT DOCUMENTS**

D153,981	S *	5/1949	Reinecke	.....	D8/311
3,086,414	A *	4/1963	Nardi	.....	81/176.1
D197,882	S *	4/1964	Steinwedel	.....	D8/14
4,237,754	A	12/1980	Battrick		
D294,219	S *	2/1988	Hamatani	.....	D8/51
4,862,776	A *	9/1989	Poling	.....	81/125
D311,315	S *	10/1990	Duke	.....	D8/25
D344,440	S *	2/1994	Oakley	.....	D8/311
5,440,957	A *	8/1995	Rogers	.....	81/124.4
5,887,496	A *	3/1999	Pollard et al.	.....	81/461
5,996,447	A *	12/1999	Bayouth	.....	81/176.2
6,282,999	B1	9/2001	Hite et al.		
6,360,636	B1 *	3/2002	Elftmann	.....	81/445
6,619,161	B1 *	9/2003	Blair	.....	81/119
6,698,317	B1 *	3/2004	Machovsky	.....	81/124.2
7,013,764	B2 *	3/2006	Leatherby	.....	81/176.15
7,024,972	B2	4/2006	Werner et al.		
D560,986	S *	2/2008	Adkins et al.	.....	D8/29
7,562,605	B2 *	7/2009	Kunkel et al.	.....	81/176.15

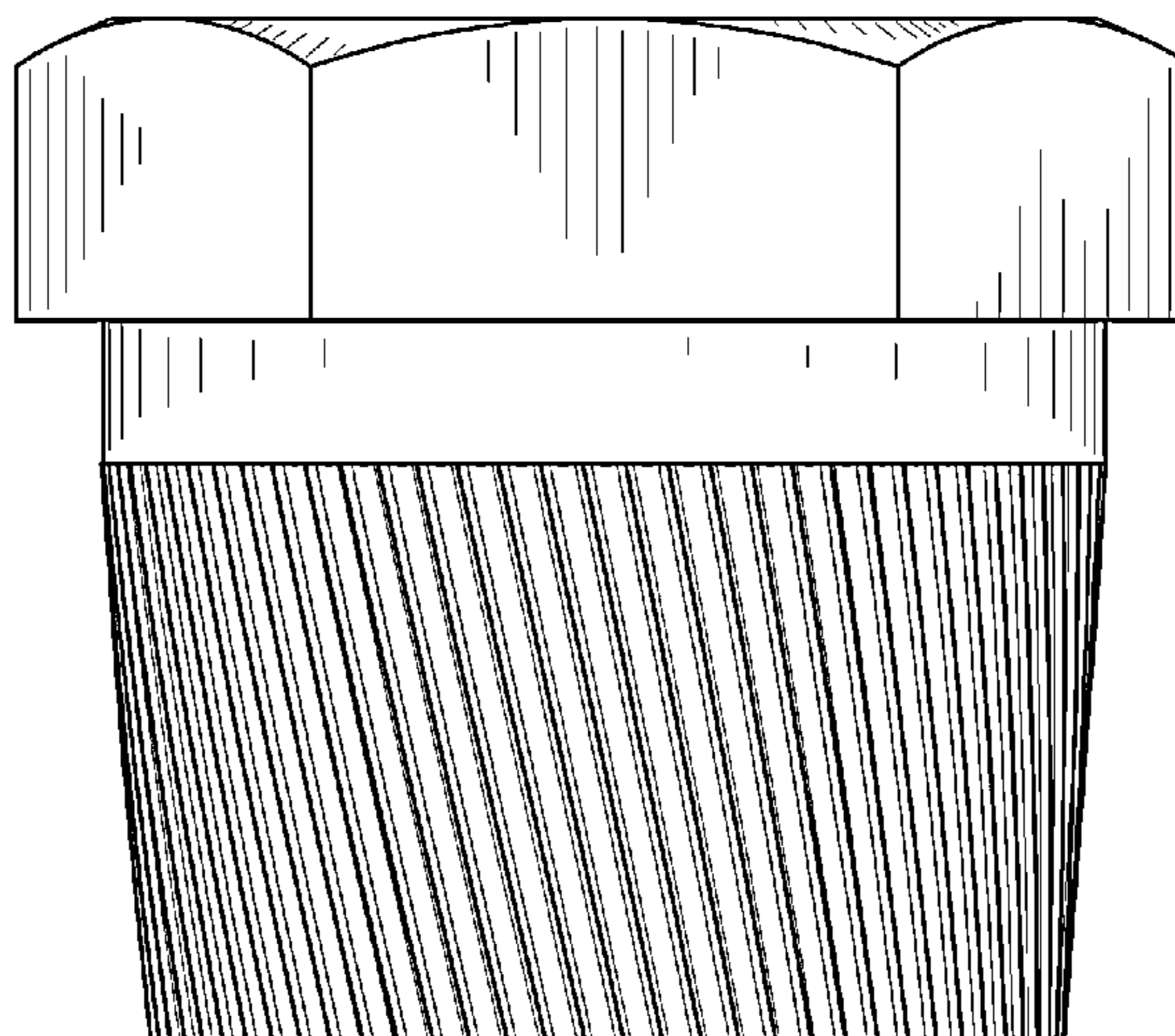
(57) **CLAIM**

The ornamental design for a drain removal tool, as shown and described.

**DESCRIPTION**

FIG. 1 is a perspective view of a drain removal tool showing the design;  
FIG. 2 is a top view thereof;  
FIG. 3 is a side view thereof;  
FIG. 4 is a bottom view thereof; and,  
FIG. 5 is a cross-sectional side view taken along the line 5-5 of FIG. 2.  
The broken lines in the drawings are directed to features of the drain removal tool that form no part of the claim.

**1 Claim, 3 Drawing Sheets**



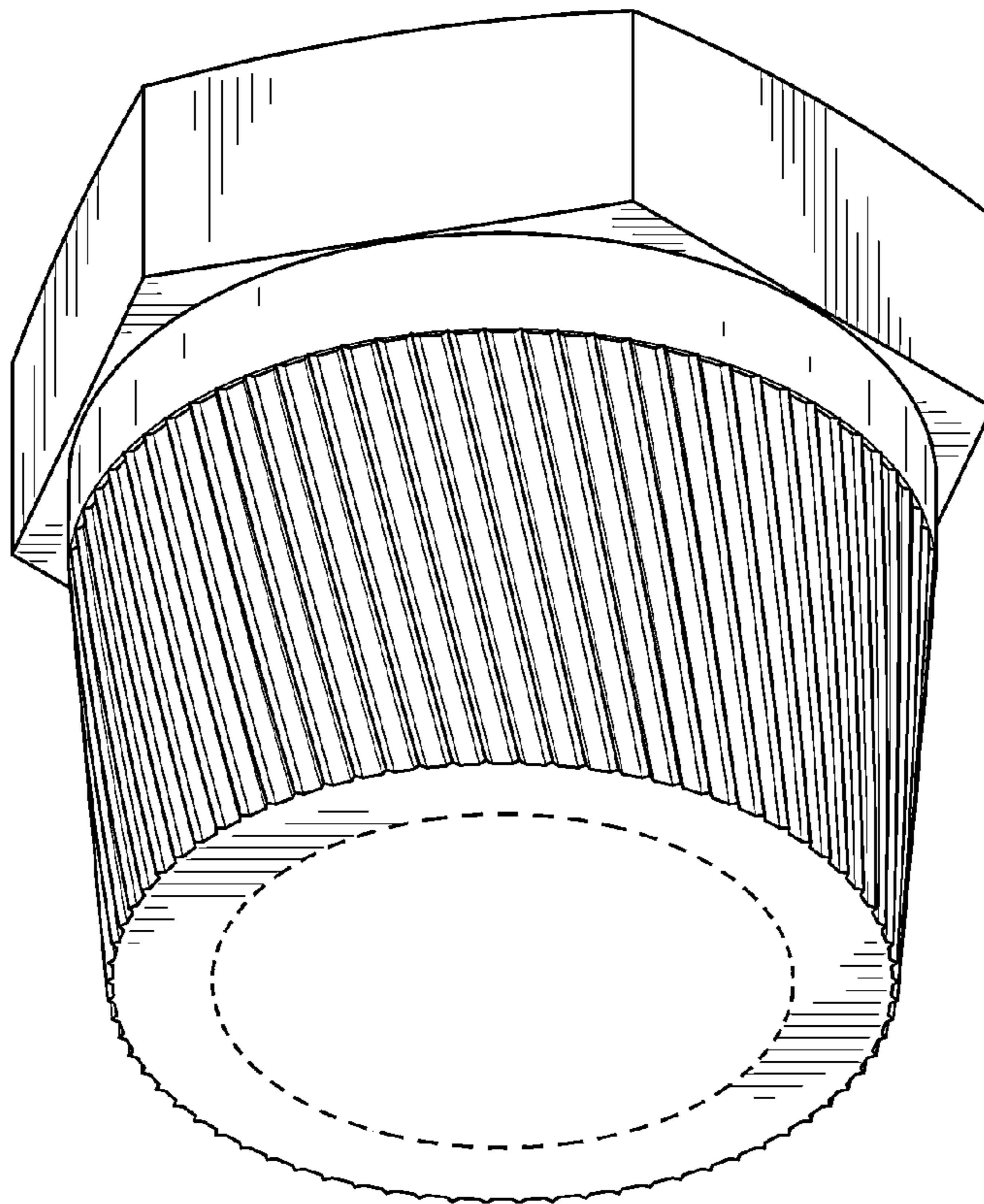


Figure 1

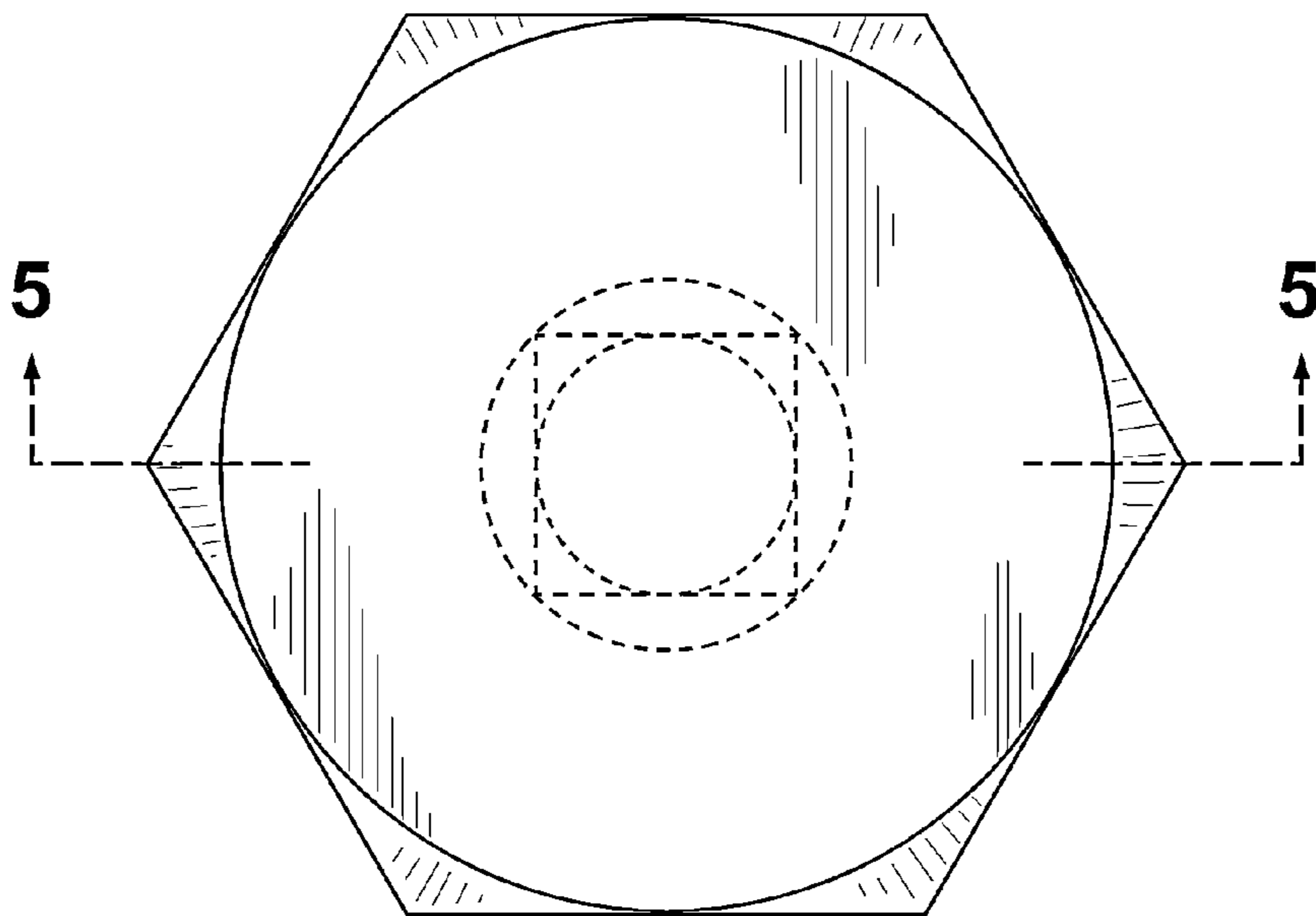


Figure 2

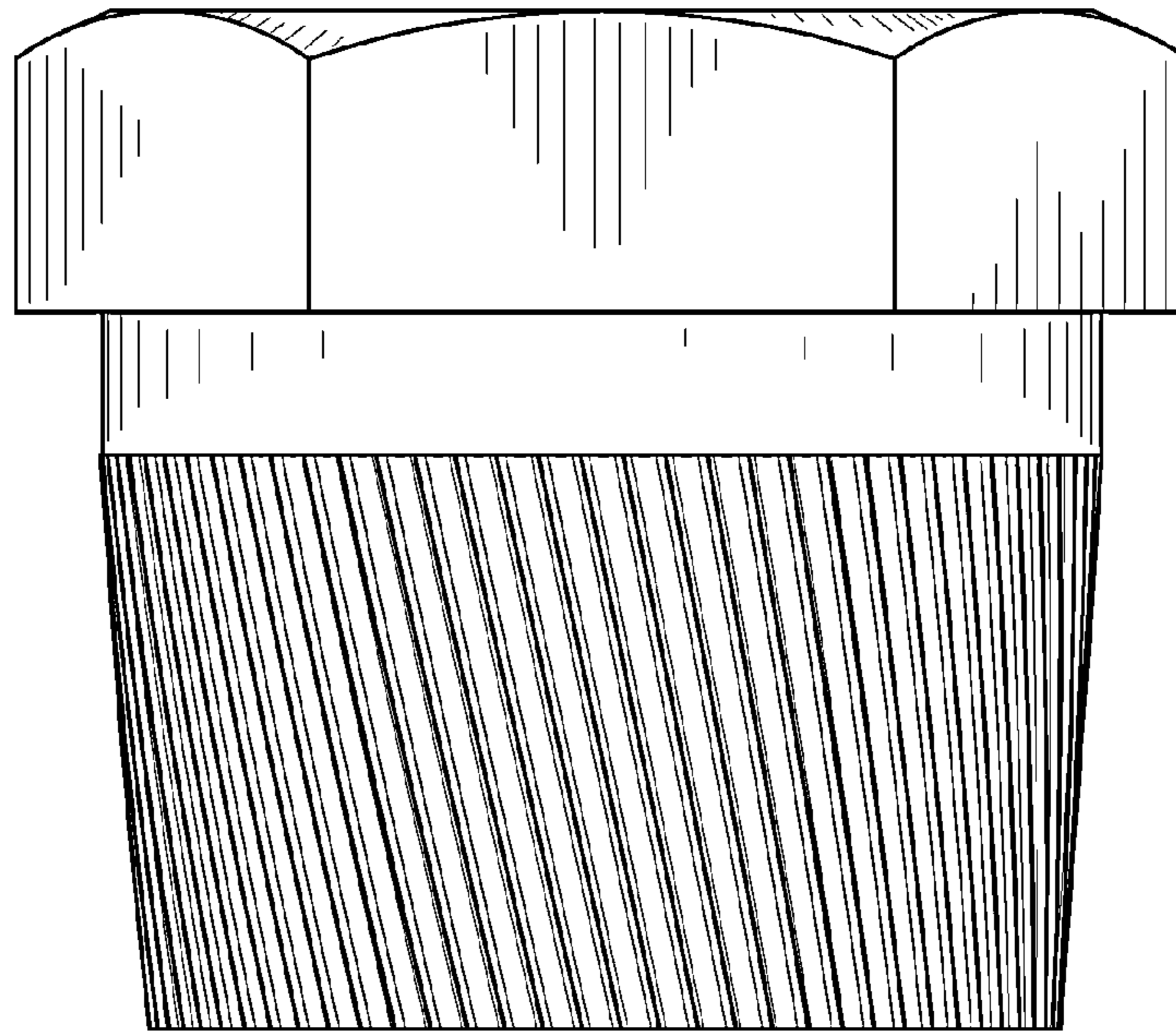


Figure 3

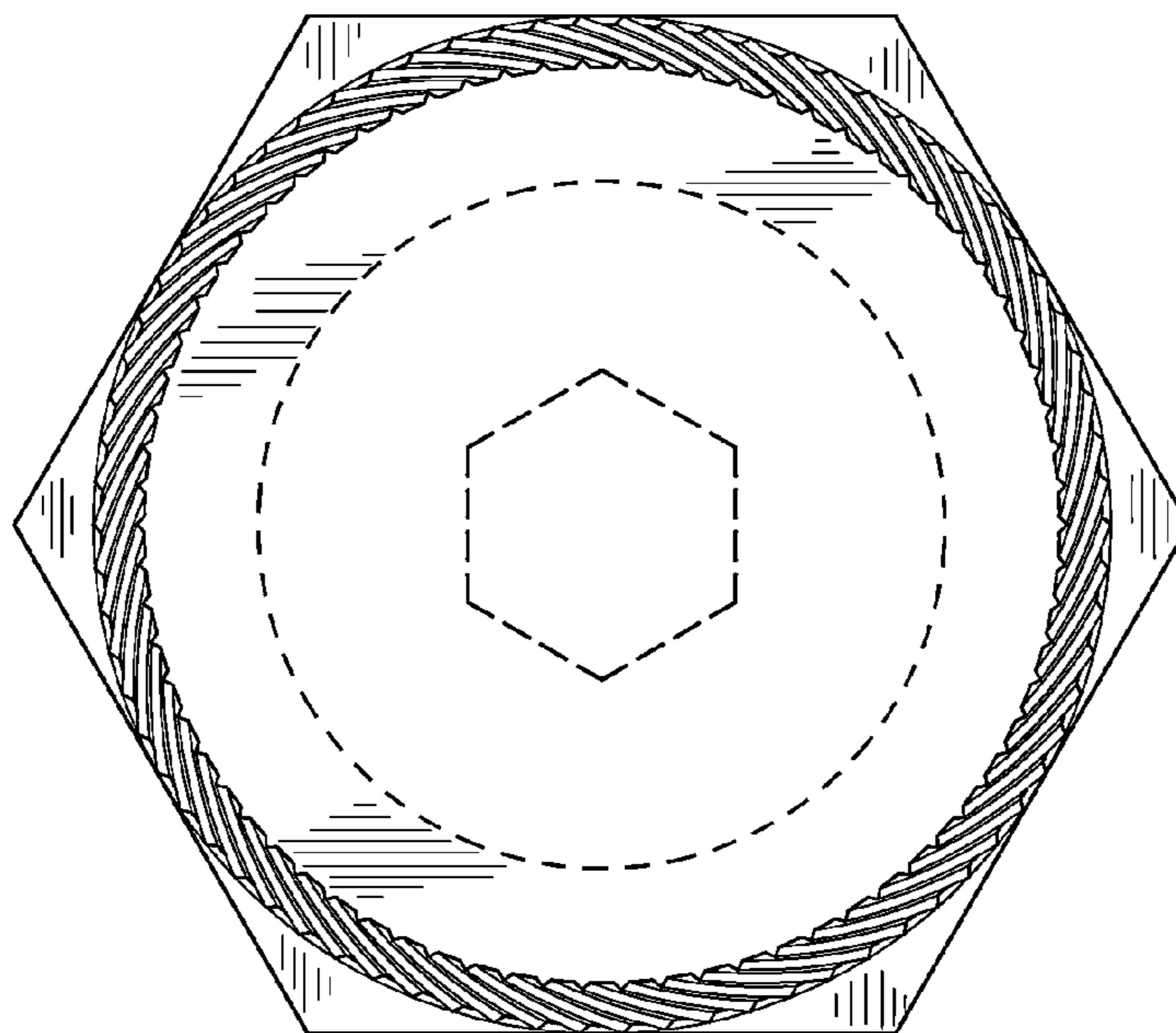


Figure 4

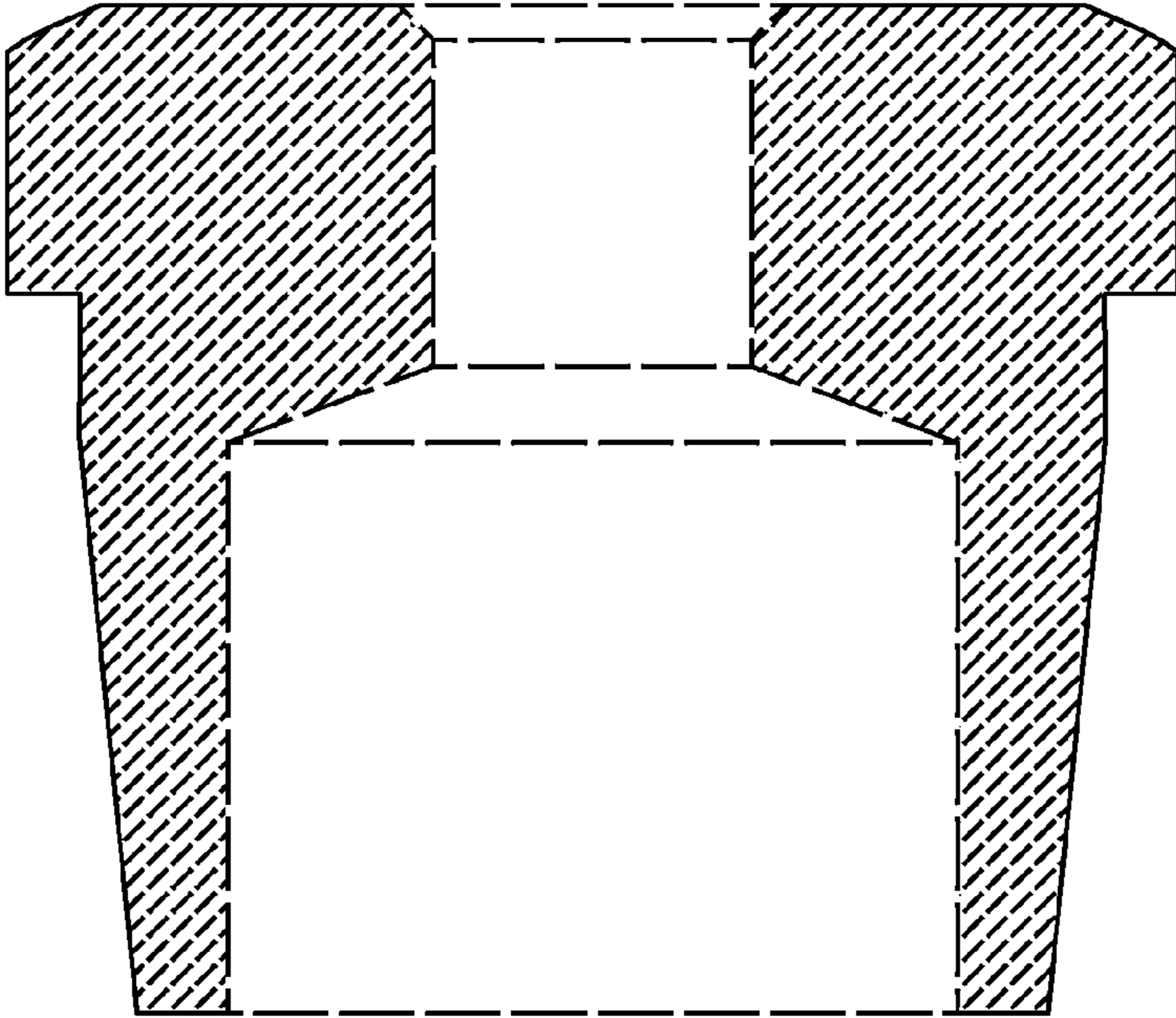


Figure 5