



US00D712217S

(12) **United States Design Patent**
Kawase et al.

(10) **Patent No.:** **US D712,217 S**
(45) **Date of Patent:** **** Sep. 2, 2014**

(54) **CONTROLLER HOUSING FOR LAWN TRIMMER**

FOREIGN PATENT DOCUMENTS

(71) Applicant: **Makita Corporation**, Anjo (JP)

EM 001147466-0001 A1 8/2009

* cited by examiner

(72) Inventors: **Tomonori Kawase**, Anjo (JP);
Yoshifumi Morita, Anjo (JP)

Primary Examiner — Sheryl Lane

(74) *Attorney, Agent, or Firm* — Global IP Counselors, LLP

(73) Assignee: **Makita Corporation**, Anjo-shi (JP)

(57) **CLAIM**

The ornamental design for a controller housing for a lawn trimmer, as shown and described.

(**) Term: **14 Years**

(21) Appl. No.: **29/445,917**

DESCRIPTION

(22) Filed: **Feb. 19, 2013**

(30) **Foreign Application Priority Data**

Aug. 31, 2012 (JP) 2012-021126

(51) **LOC (10) CL.** **08-01**

(52) **U.S. CL.**
USPC **D8/8**

(58) **Field of Classification Search**
CPC A01G 2003/04; A01G 3/04
USPC D8/7-9; D15/17, 1; 30/276, 208-210,
30/228, 282-383; 56/12.7, 233-234
See application file for complete search history.

FIG. 1 is a front perspective view of a controller housing for a lawn trimmer in accordance with our new design; FIG. 2 is a rear perspective view of the controller housing for a lawn trimmer in accordance with our new design; FIG. 3 is a front elevational view of the controller housing for a lawn trimmer in accordance with our new design; FIG. 4 is a rear elevational view of the controller housing for a lawn trimmer in accordance with our new design; FIG. 5 is a top plan view of the controller housing for a lawn trimmer in accordance with our new design; FIG. 6 is a bottom plan view of the controller housing for a lawn trimmer in accordance with our new design; FIG. 7 is a right side elevational view of the controller housing for a lawn trimmer in accordance with our new design; FIG. 8 is a left side elevational view of the controller housing for a lawn trimmer in accordance with our new design; and, FIG. 9 is a front perspective view of the controller housing for a lawn trimmer in accordance with our new design illustrating a state in which the controller housing is attached to other parts of the lawn trimmer.

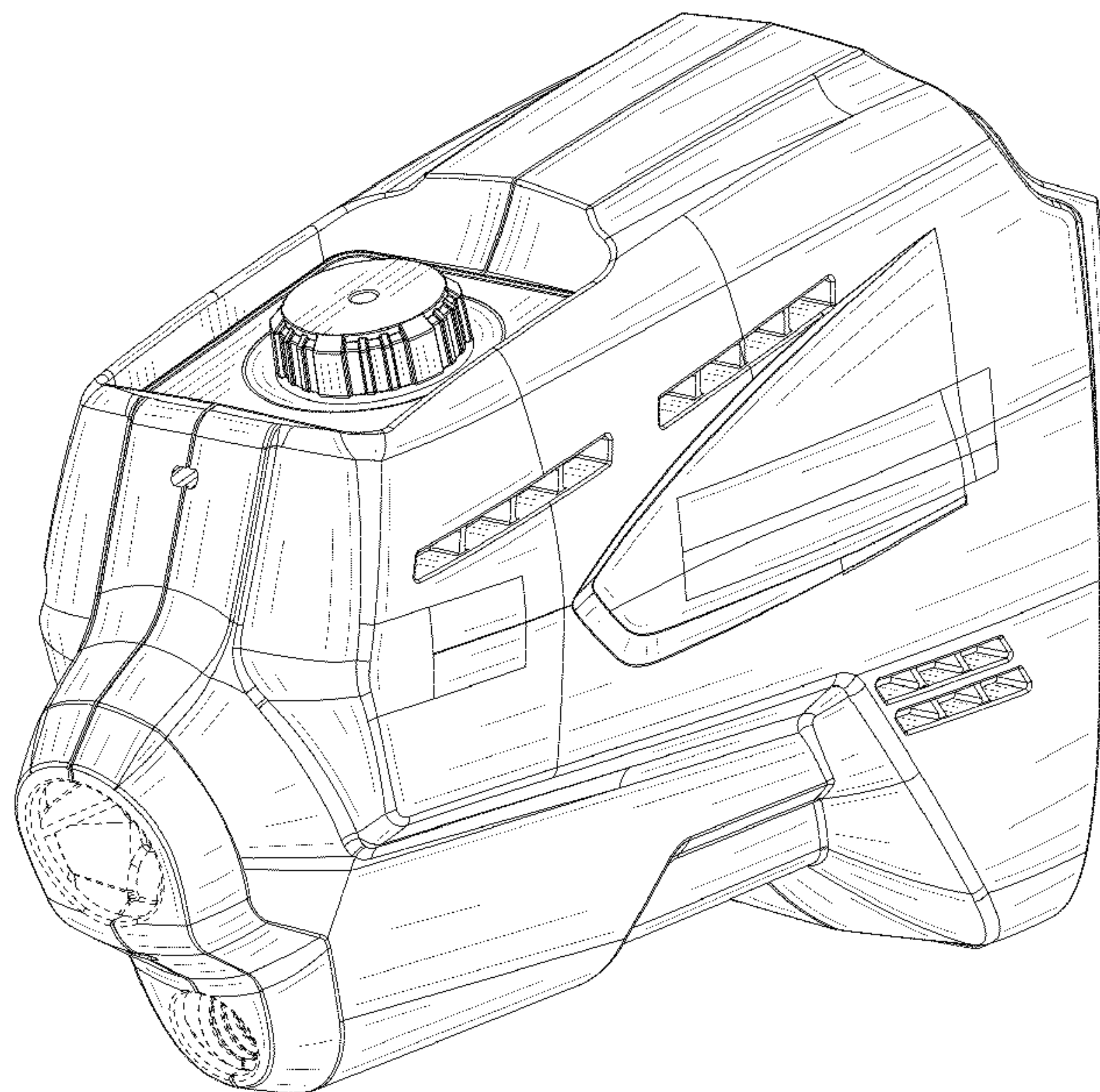
The broken line showing of environment in FIGS. 1, 2, and 4-9 forms no part of the claimed design.

(56) **References Cited**

U.S. PATENT DOCUMENTS

D361,336 S * 8/1995 Tinius D15/1
D653,509 S * 2/2012 Tinius D8/8
D656,370 S * 3/2012 Tinius D8/8
D662,795 S * 7/2012 Naas D8/8
D664,407 S * 7/2012 Naas D8/8
D672,624 S * 12/2012 Naas D8/8
D682,782 S * 5/2013 Yamamoto et al. D13/112

1 Claim, 9 Drawing Sheets



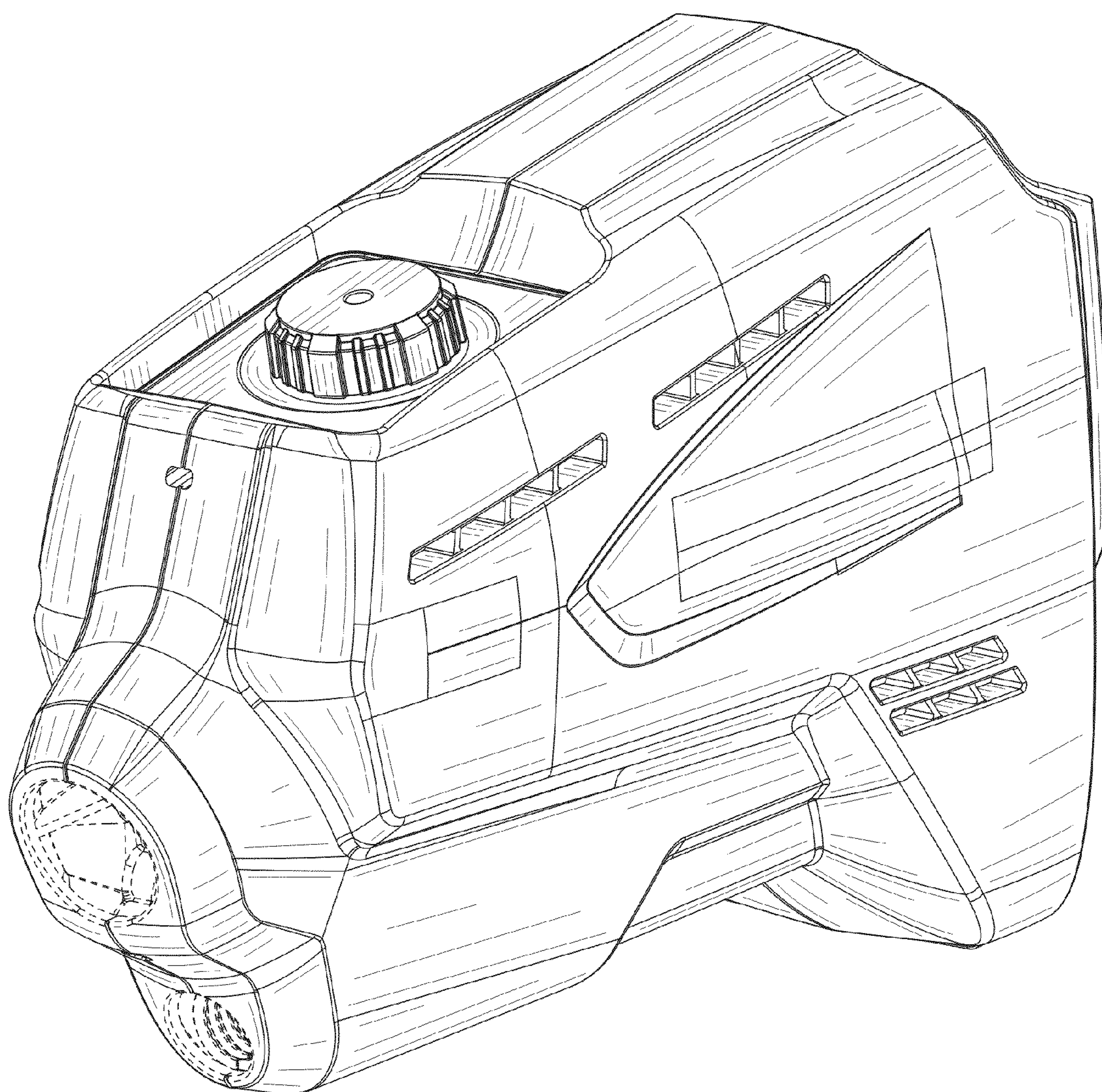


FIG. 1

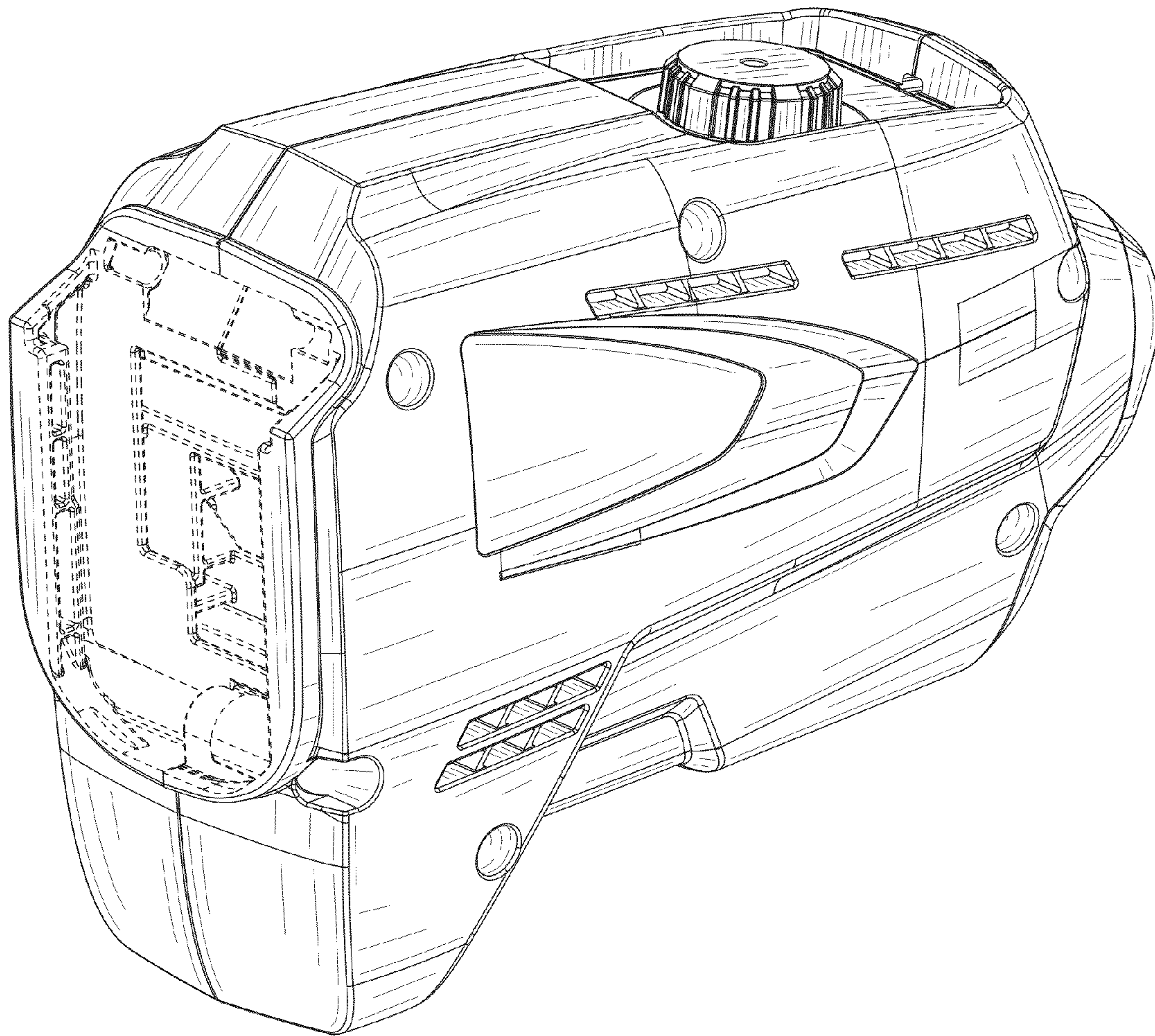


FIG. 2

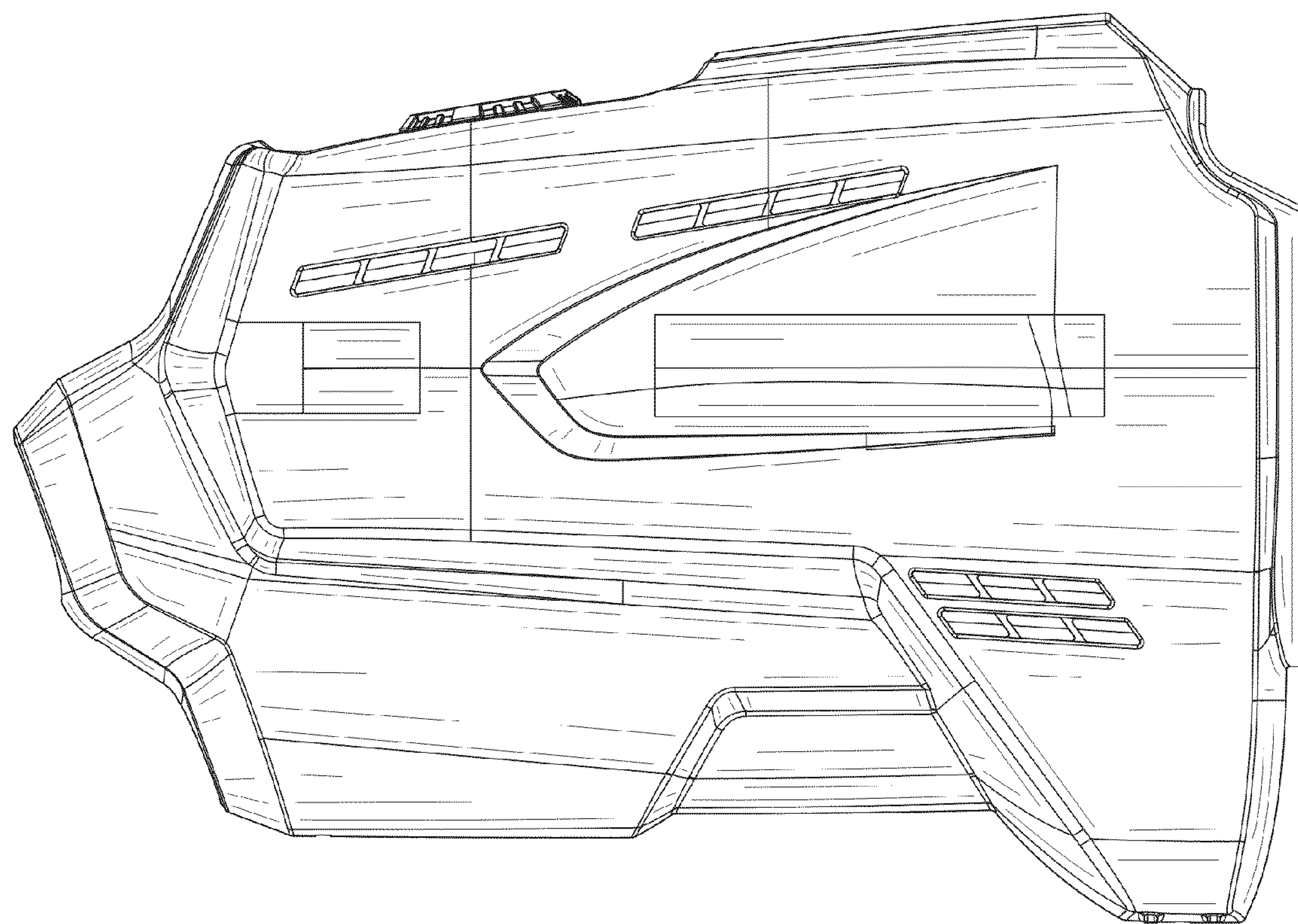


FIG. 3

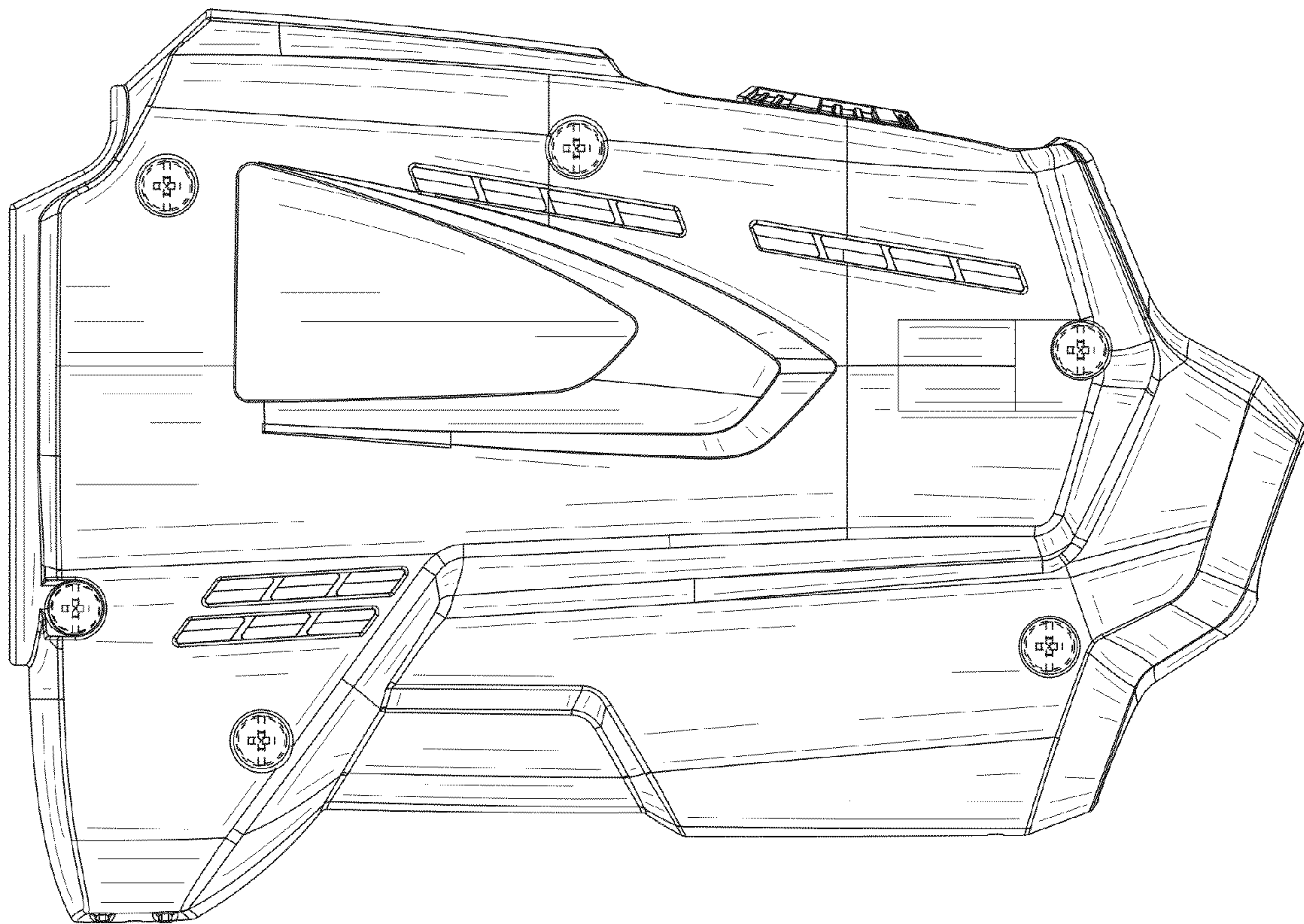


FIG. 4

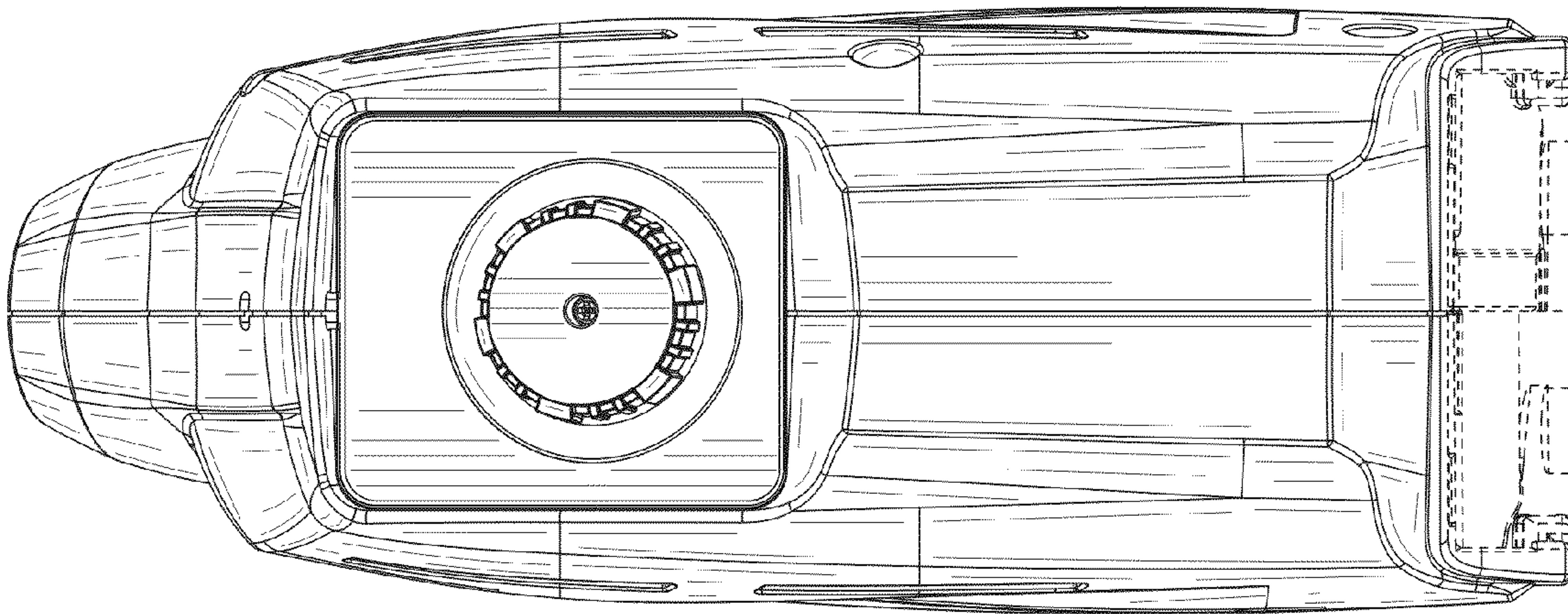


FIG. 5

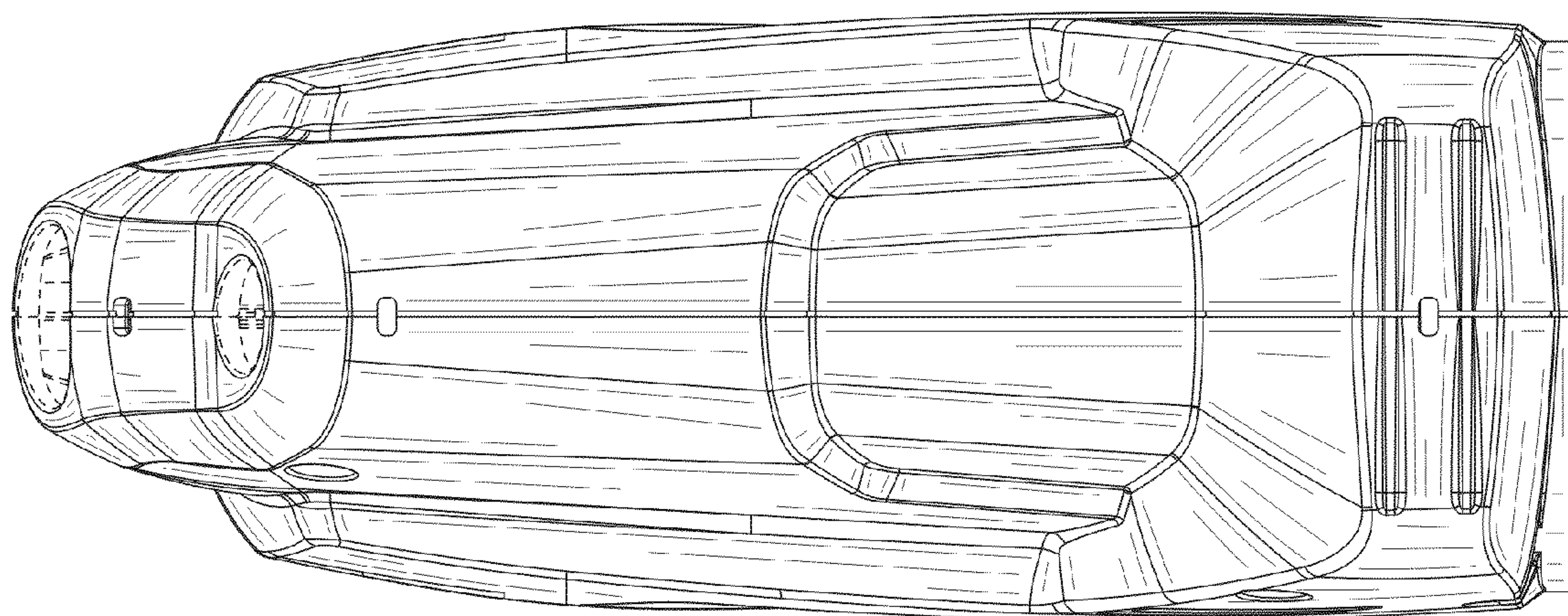


FIG. 6

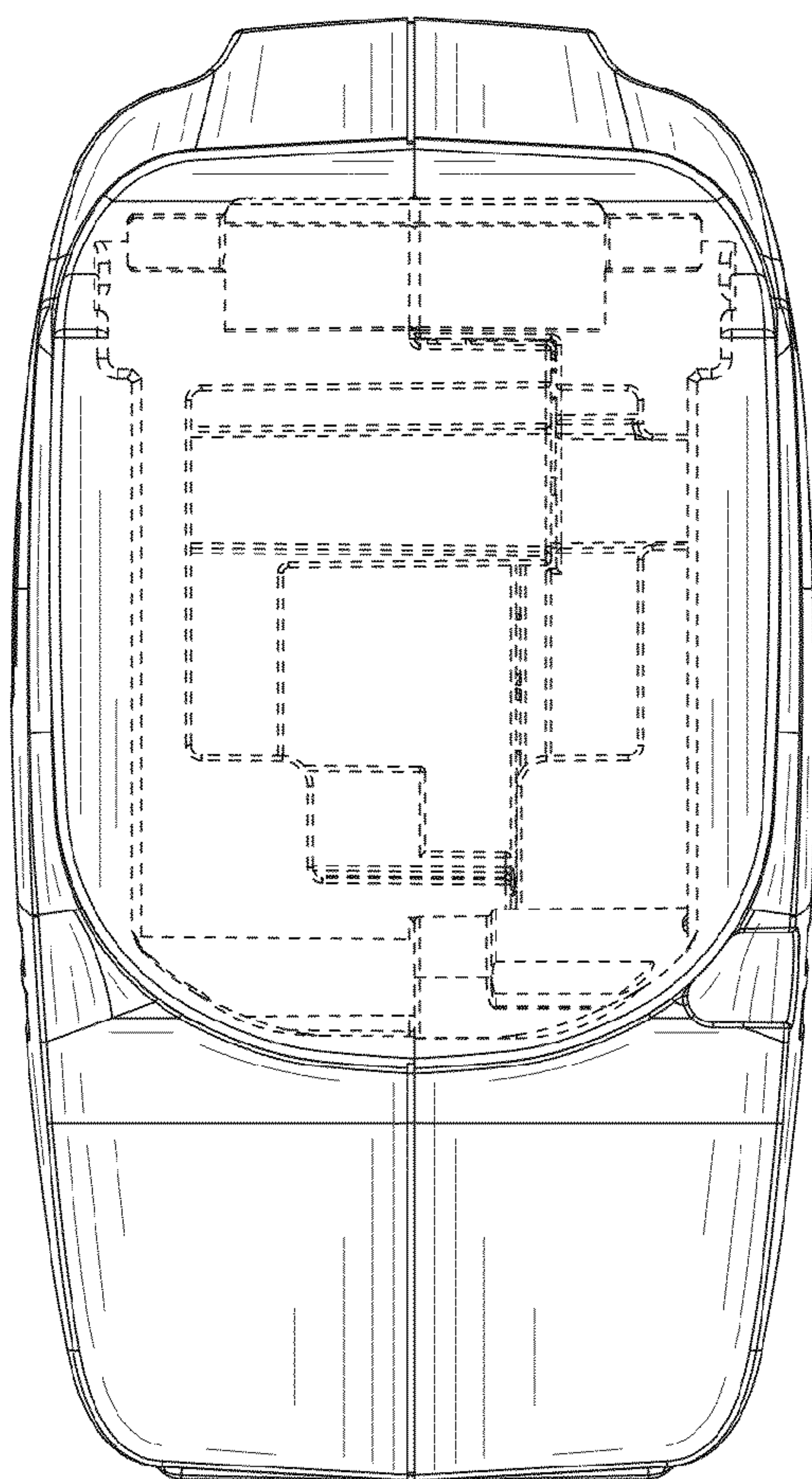


FIG. 7

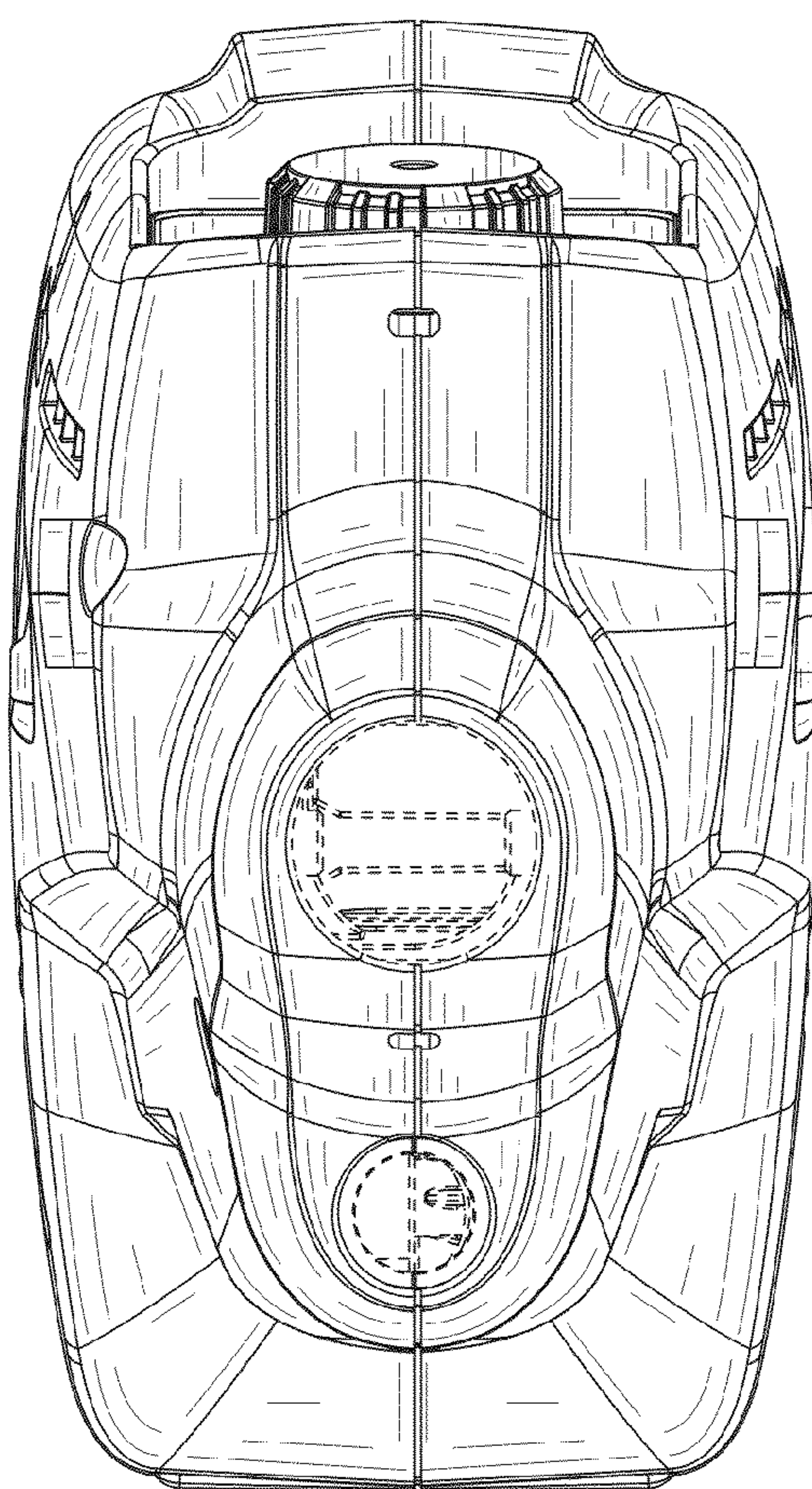


FIG. 8

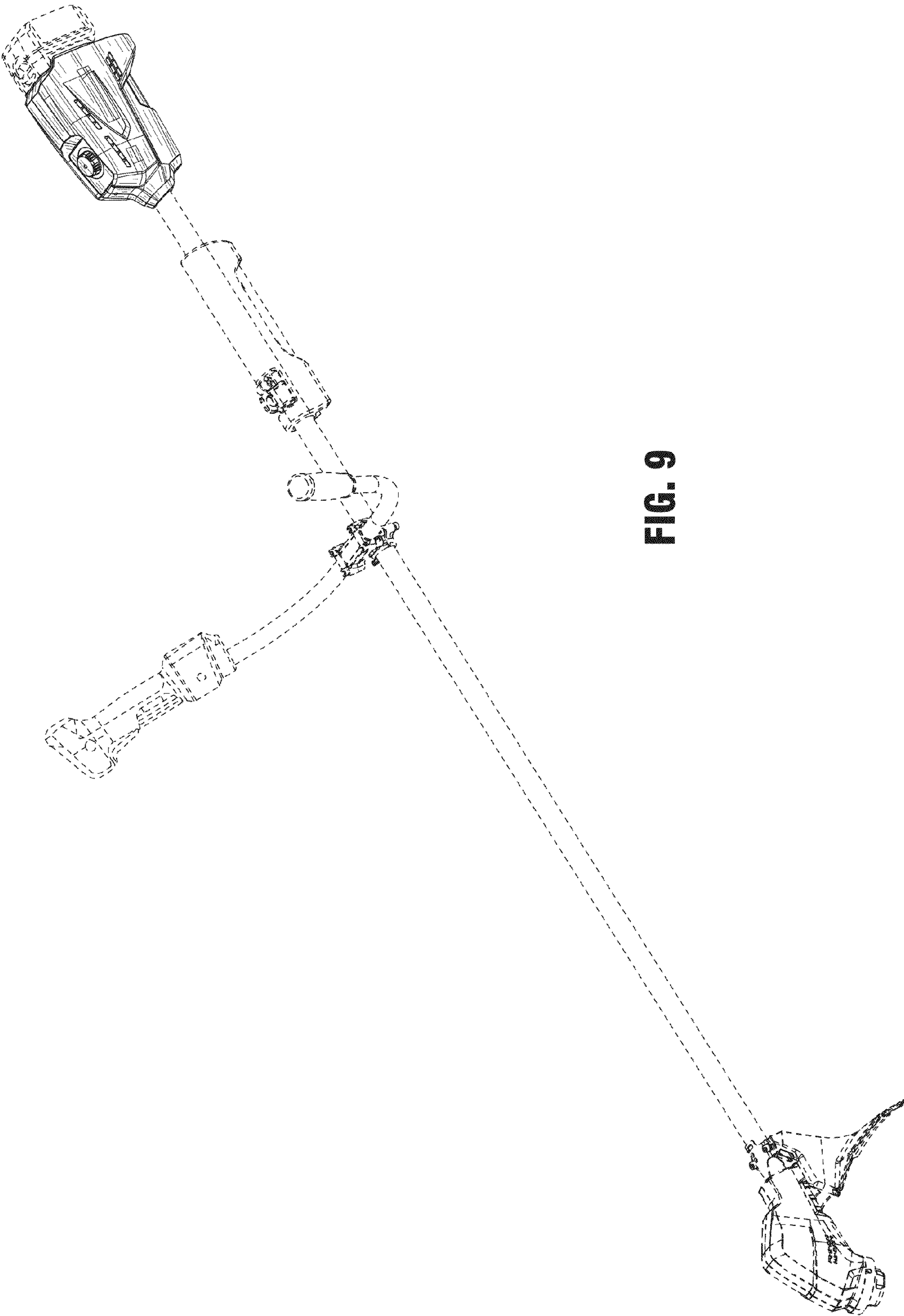


FIG. 9