



US00D712213S

(12) **United States Design Patent**  
**Hattori et al.**

(10) **Patent No.:** **US D712,213 S**  
(45) **Date of Patent:** **\*\* Sep. 2, 2014**

(54) **COVER FOR LAWN TRIMMER**

D599,632 S \* 9/2009 Bradford ..... D8/8  
D600,516 S \* 9/2009 Tinius ..... D8/8  
D625,159 S \* 10/2010 Tinius ..... D8/8

(75) Inventors: **Kazunori Hattori**, Anjo (JP); **Tomoaki Sato**, Anjo (JP)

**FOREIGN PATENT DOCUMENTS**

(73) Assignee: **Makita Corporation**, Anjo-shi (JP)

JP D1440197 S 5/2012

(\*\*) Term: **14 Years**

\* cited by examiner

(21) Appl. No.: **29/428,584**

*Primary Examiner* — Mark Goodwin

(22) Filed: **Aug. 1, 2012**

(74) *Attorney, Agent, or Firm* — Global IP Counselors, LLP

(30) **Foreign Application Priority Data**

(57) **CLAIM**

Mar. 30, 2012 (JP) ..... 2012-007495

The ornamental design for a cover for a lawn trimmer, as shown and described.

(51) **LOC (10) Cl.** ..... **08-01**

**DESCRIPTION**

(52) **U.S. Cl.**  
USPC ..... **D8/8**

(58) **Field of Classification Search**  
USPC ..... D8/8, 9; 56/12.7, 12.1, 1; 30/276, 347,  
30/122; 172/13, 14; D15/17  
See application file for complete search history.

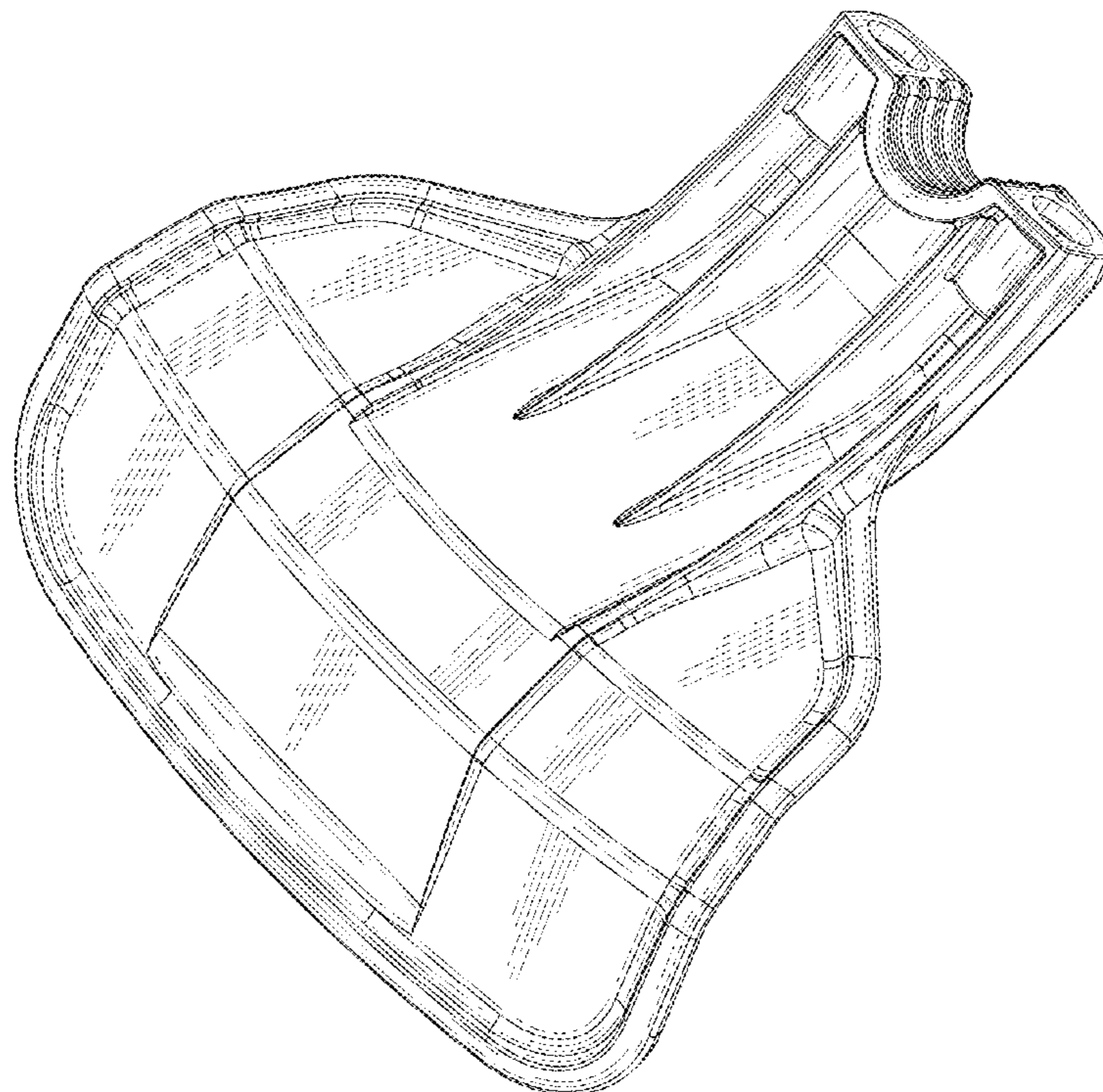
FIG. 1 is a front perspective view of a cover for a lawn trimmer showing our new design;  
FIG. 2 is a rear perspective view thereof;  
FIG. 3 is a front elevational view thereof;  
FIG. 4 is a rear elevational view thereof;  
FIG. 5 is a top plan view thereof;  
FIG. 6 is a bottom plan view thereof;  
FIG. 7 is a right side elevational view thereof;  
FIG. 8 is a left side elevational view thereof; and,  
FIG. 9 is a front perspective view thereof shown in use condition attached to a lawn trimmer.  
The broken line showing of environment in FIGS. 6-9 forms no part of the claimed design.

(56) **References Cited**

**U.S. PATENT DOCUMENTS**

D382,779 S \* 8/1997 Meisner et al. .... D8/8  
D382,780 S \* 8/1997 Meisner et al. .... D8/8  
D481,596 S \* 11/2003 Van Wambeke et al. .... D8/8  
6,796,113 B2 \* 9/2004 Moore ..... 56/12.7  
D584,581 S \* 1/2009 Bradford ..... D8/8

**1 Claim, 9 Drawing Sheets**



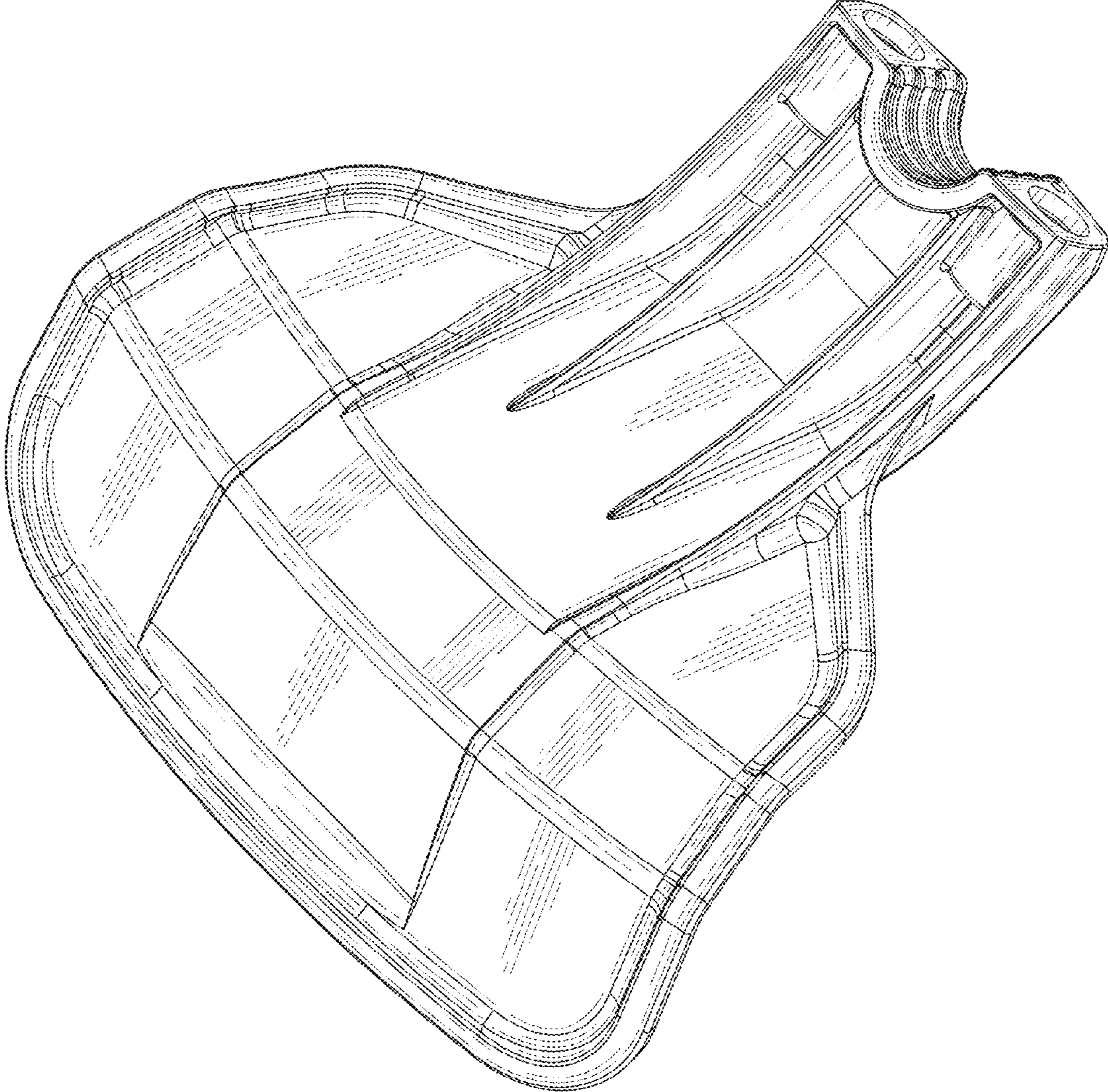


FIG. 1



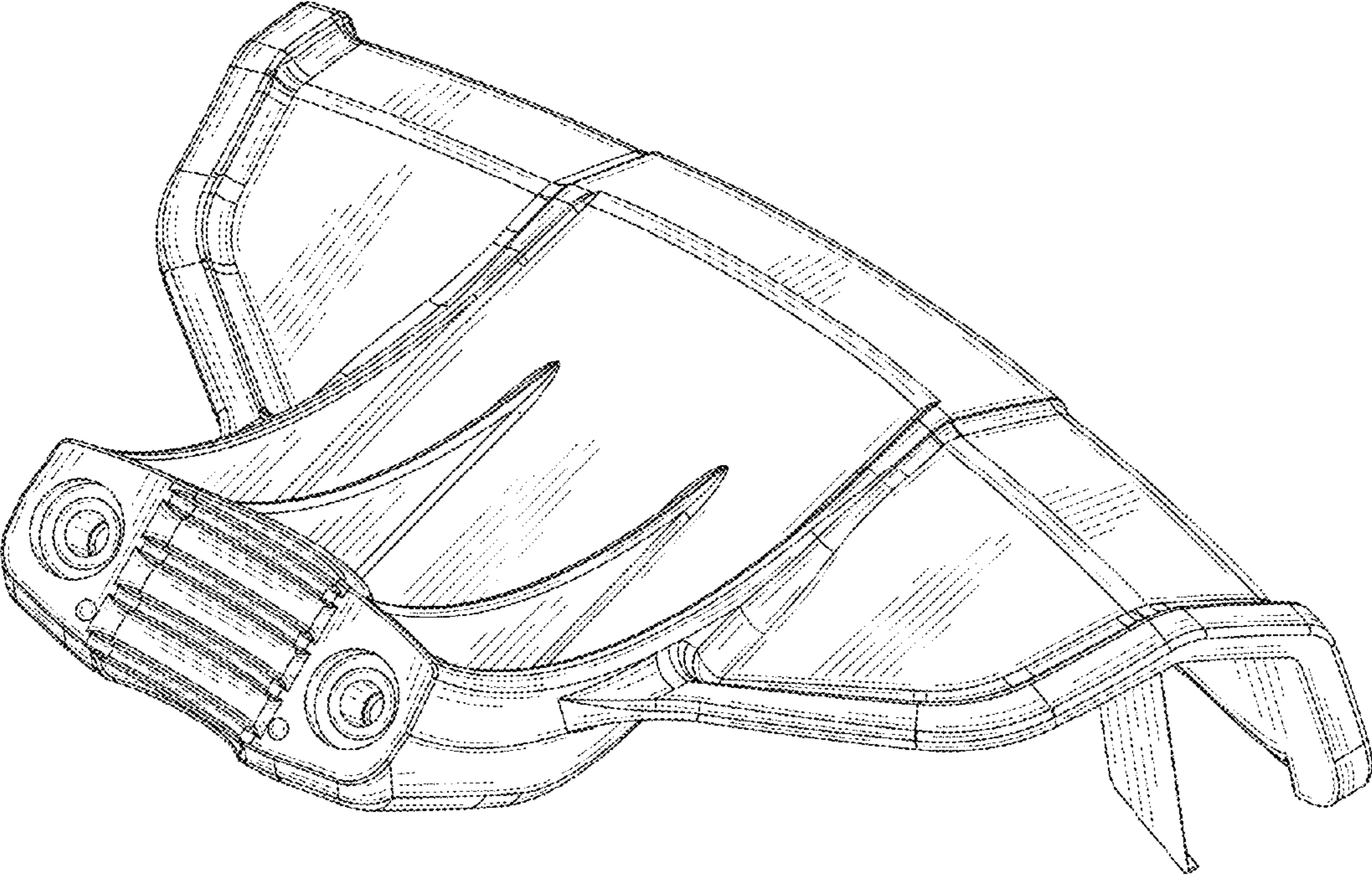
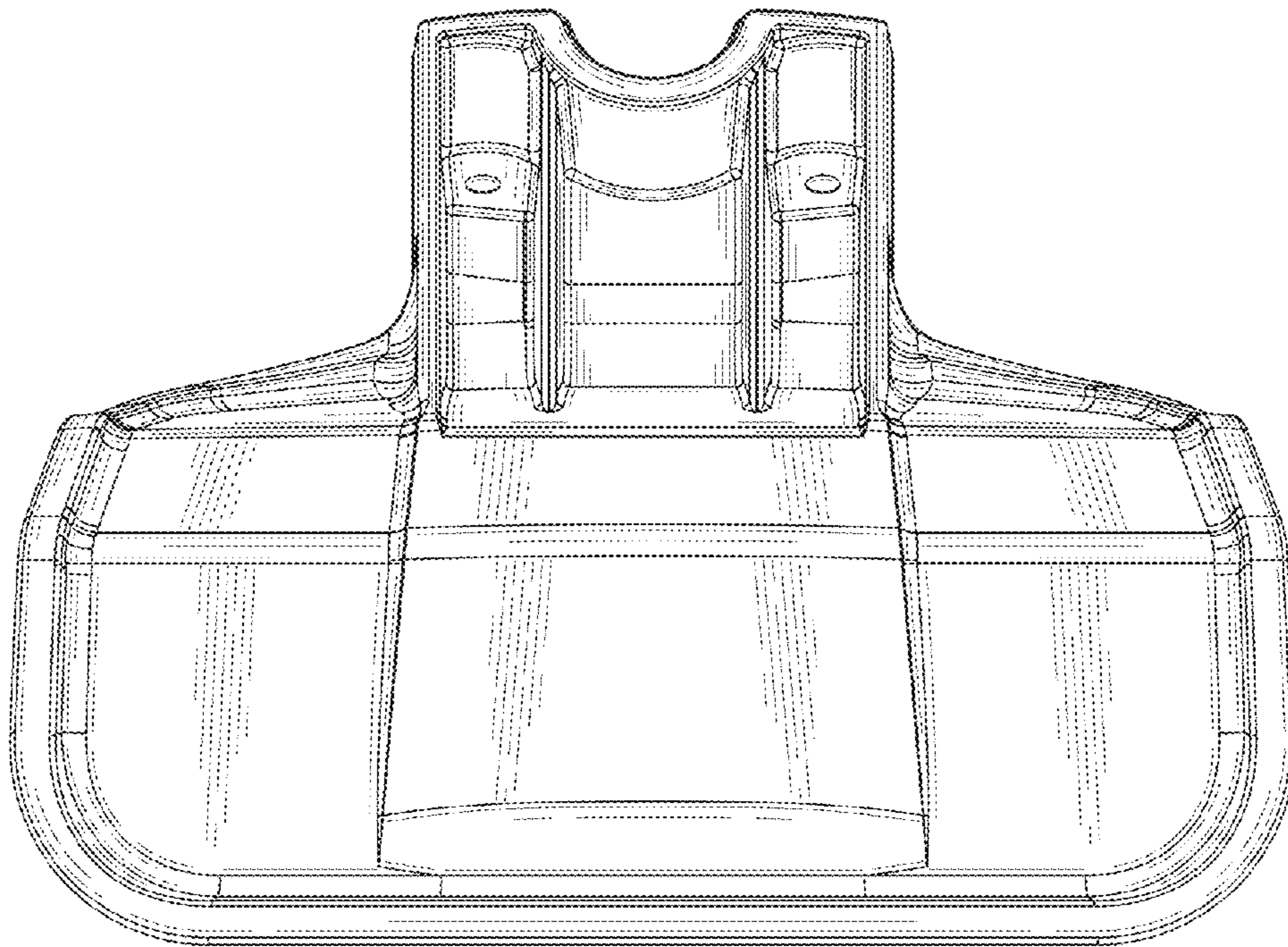


FIG. 2



**FIG. 3**

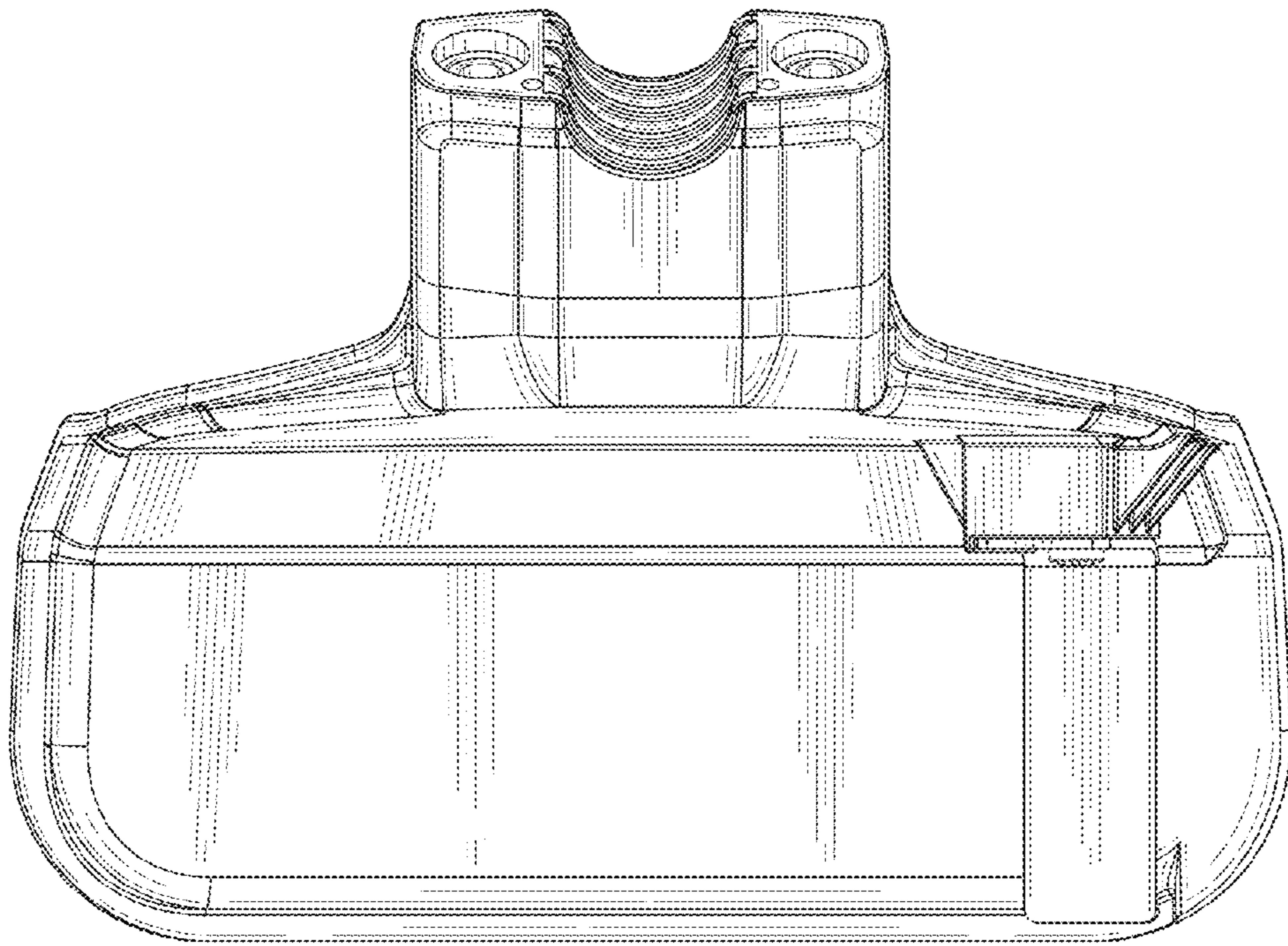


FIG. 4



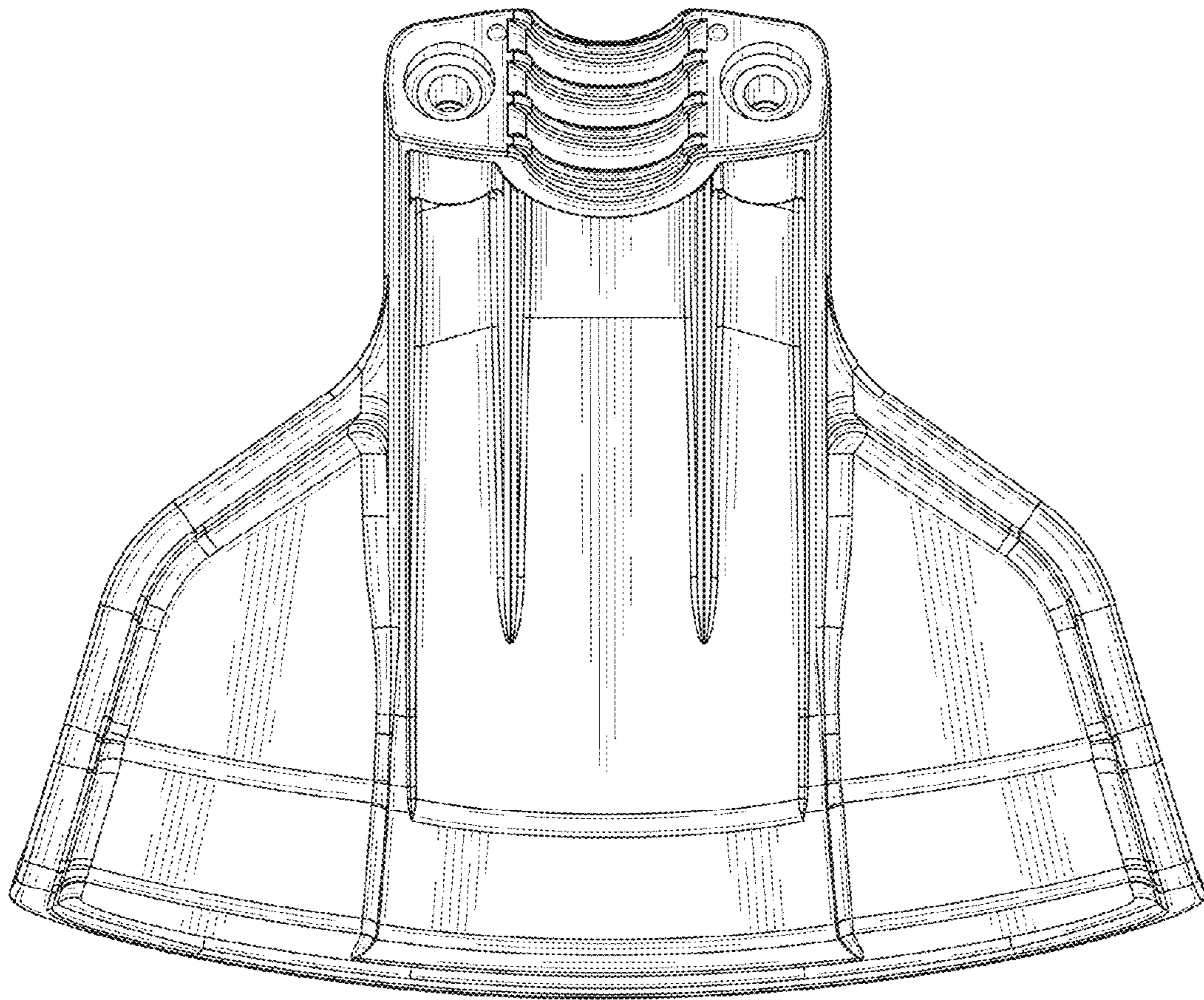


FIG. 5

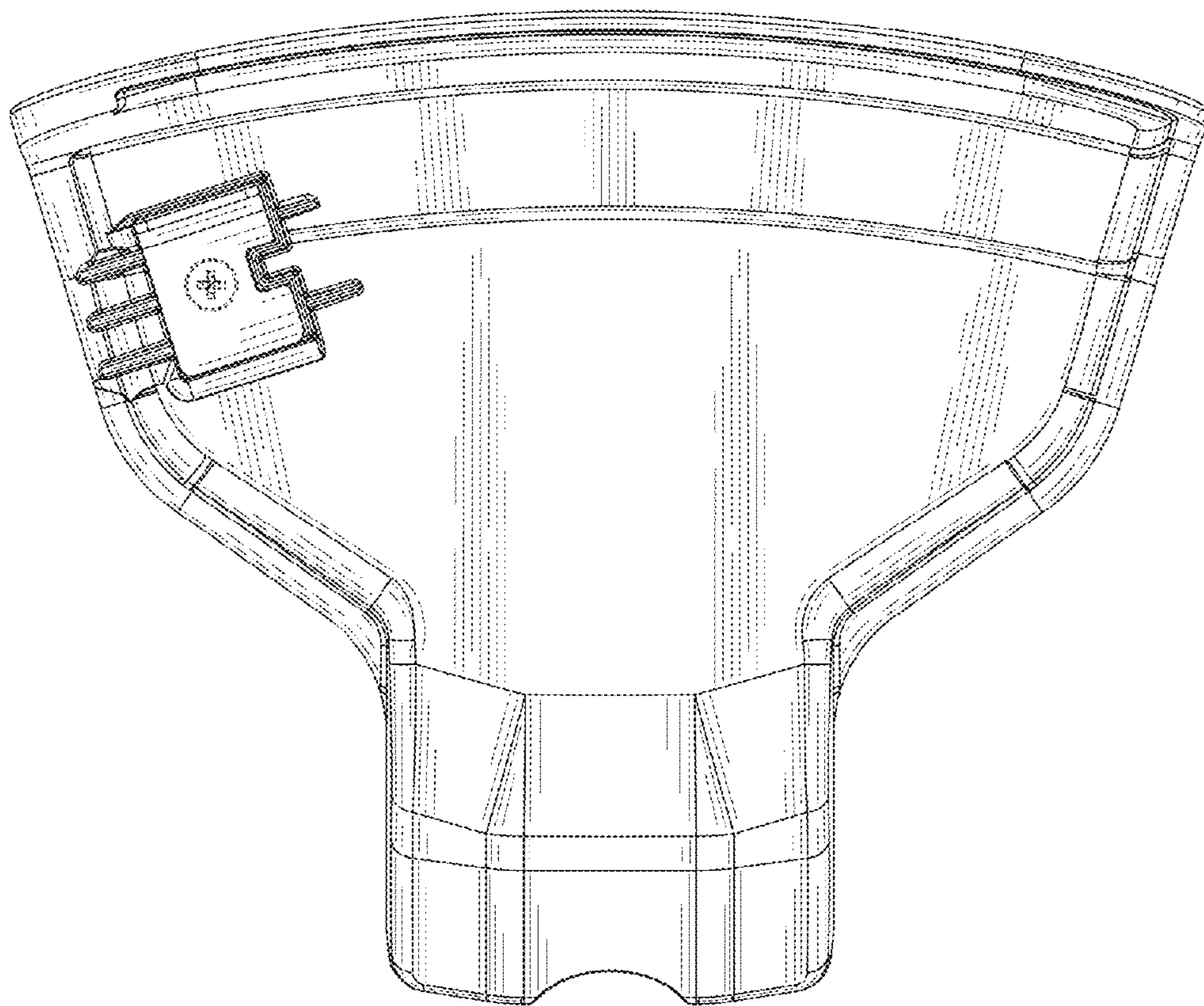


FIG. 6

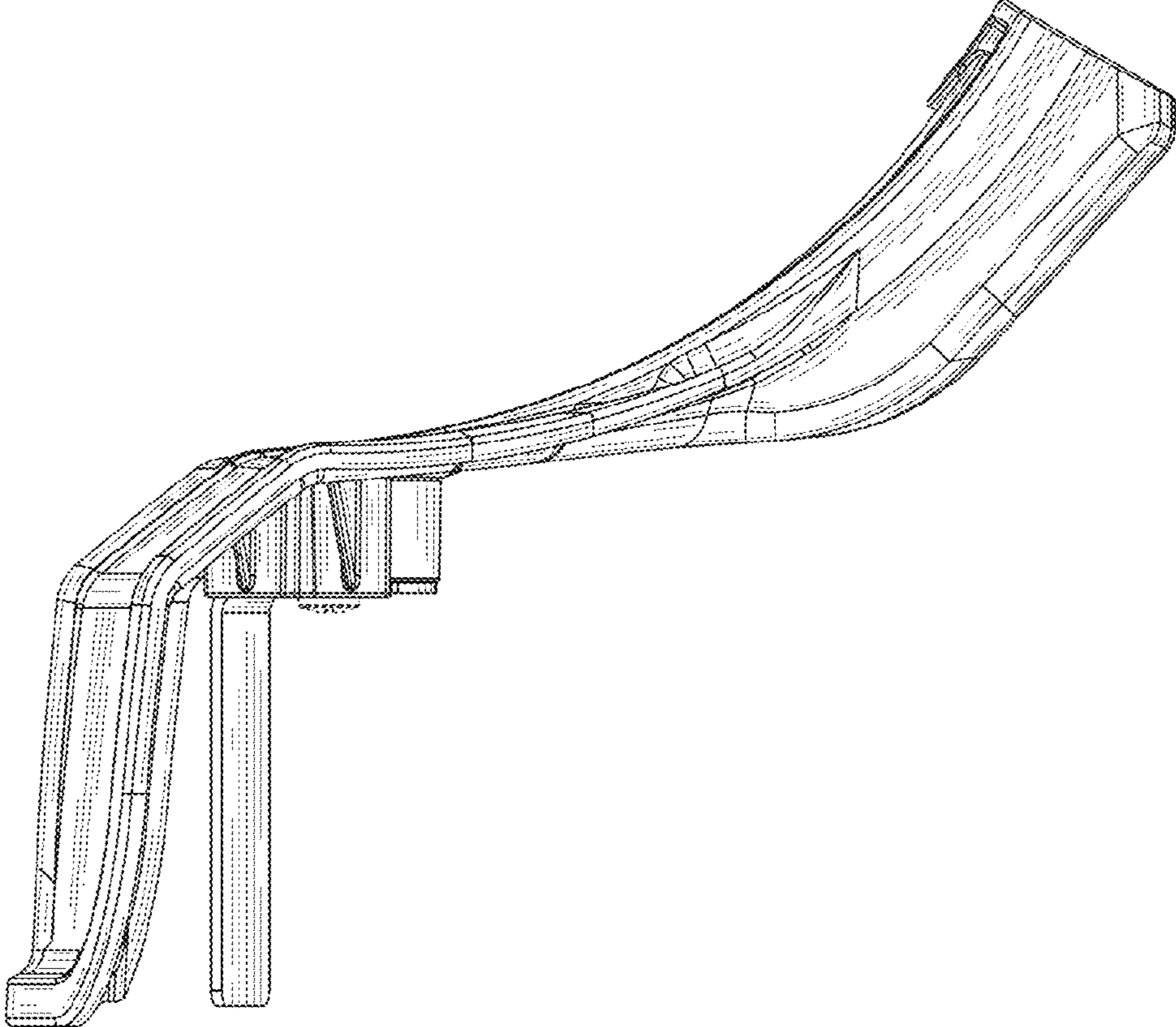
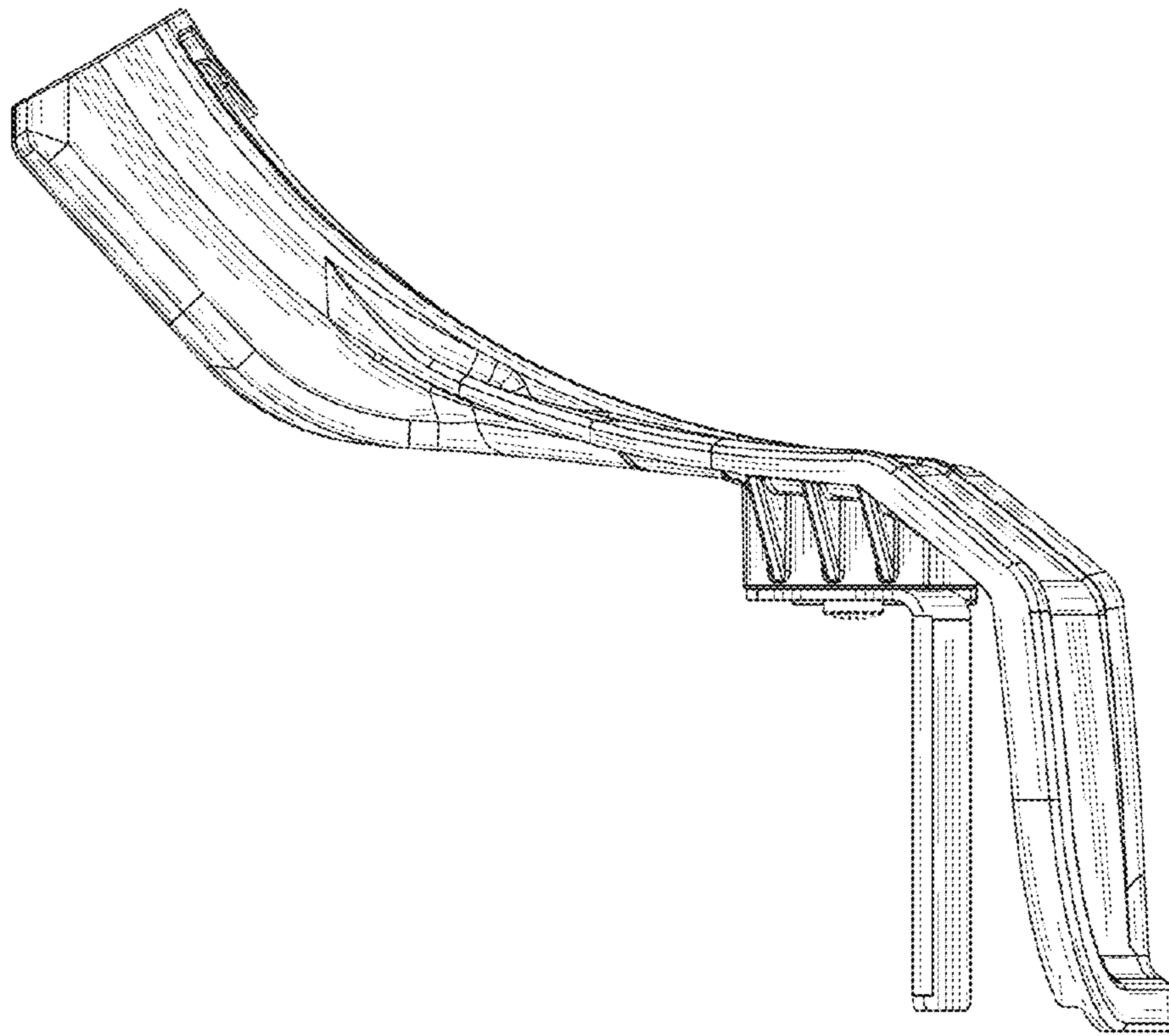


FIG. 7





**FIG. 8**

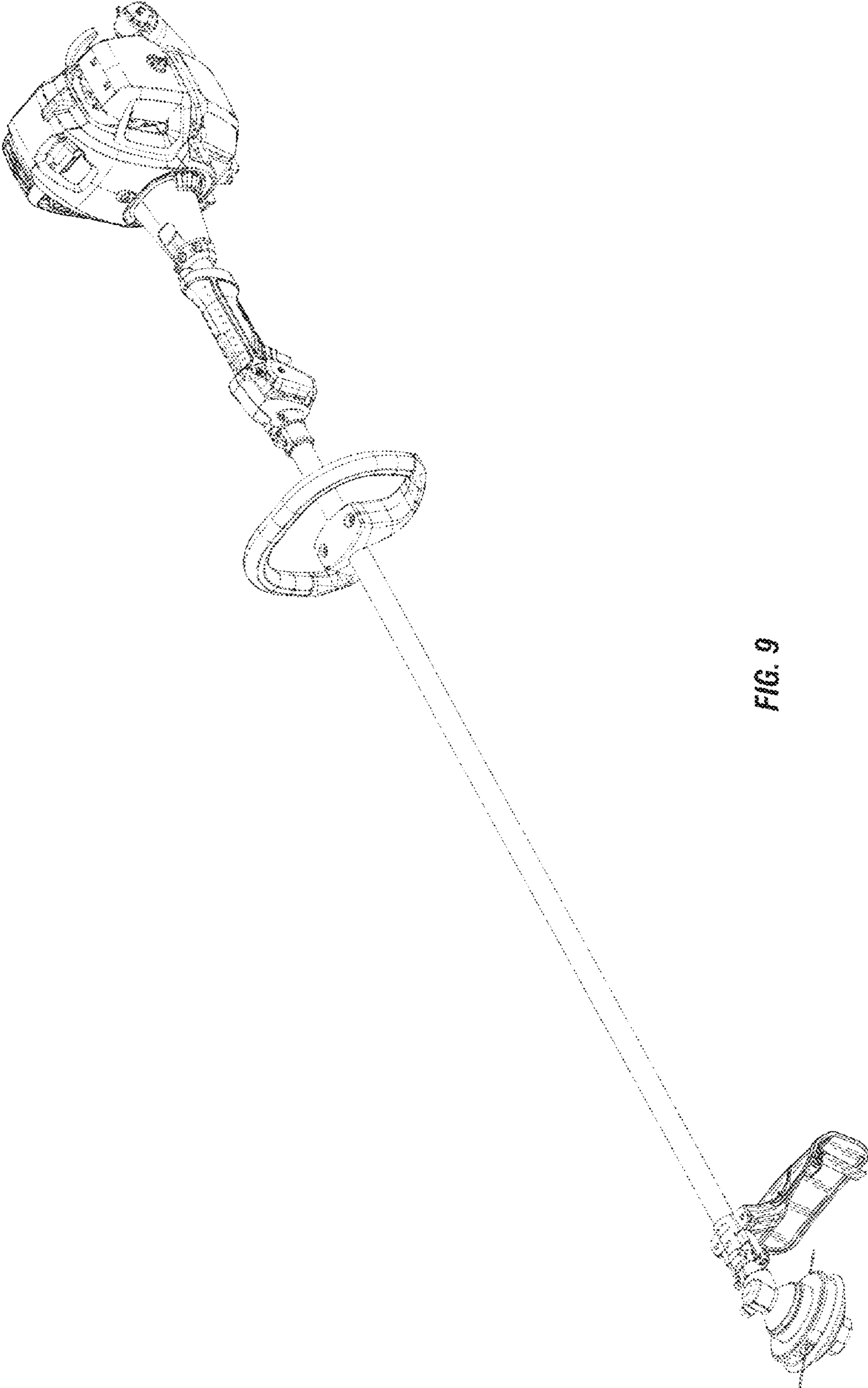


FIG. 9