



US00D712212S

(12) **United States Design Patent**  
**Zhang**

(10) **Patent No.:** **US D712,212 S**  
(45) **Date of Patent:** **\*\* Sep. 2, 2014**

(54) **HEDGE TRIMMER**

D630,480 S \* 1/2011 Wilson ..... D8/8  
D649,845 S \* 12/2011 Yamamoto et al. .... D8/9  
D668,514 S \* 10/2012 Sweeney ..... D8/8

(75) Inventor: **Su Zhang**, Nanjing (CN)

\* cited by examiner

(73) Assignee: **Chervon (HK) Limited**, Hong Kong (HK)

*Primary Examiner* — Sheryl Lane

(\*\*) Term: **14 Years**

(74) *Attorney, Agent, or Firm* — Greenberg Traurig, LLP

(21) Appl. No.: **29/407,986**

(57) **CLAIM**

What is claimed is the ornamental design for a hedge trimmer, as shown and described.

(22) Filed: **Dec. 6, 2011**

**DESCRIPTION**

(30) **Foreign Application Priority Data**

Jun. 7, 2011 (CN) ..... 2011 3 0159968

(51) **LOC (10) Cl.** ..... **08-01**

(52) **U.S. Cl.**  
USPC ..... **D8/8**

(58) **Field of Classification Search**  
USPC ..... D8/8, 9; 30/208, 276, 228, 382, 383,  
30/216; 56/12.7, 233–237; 172/13; D15/1  
See application file for complete search history.

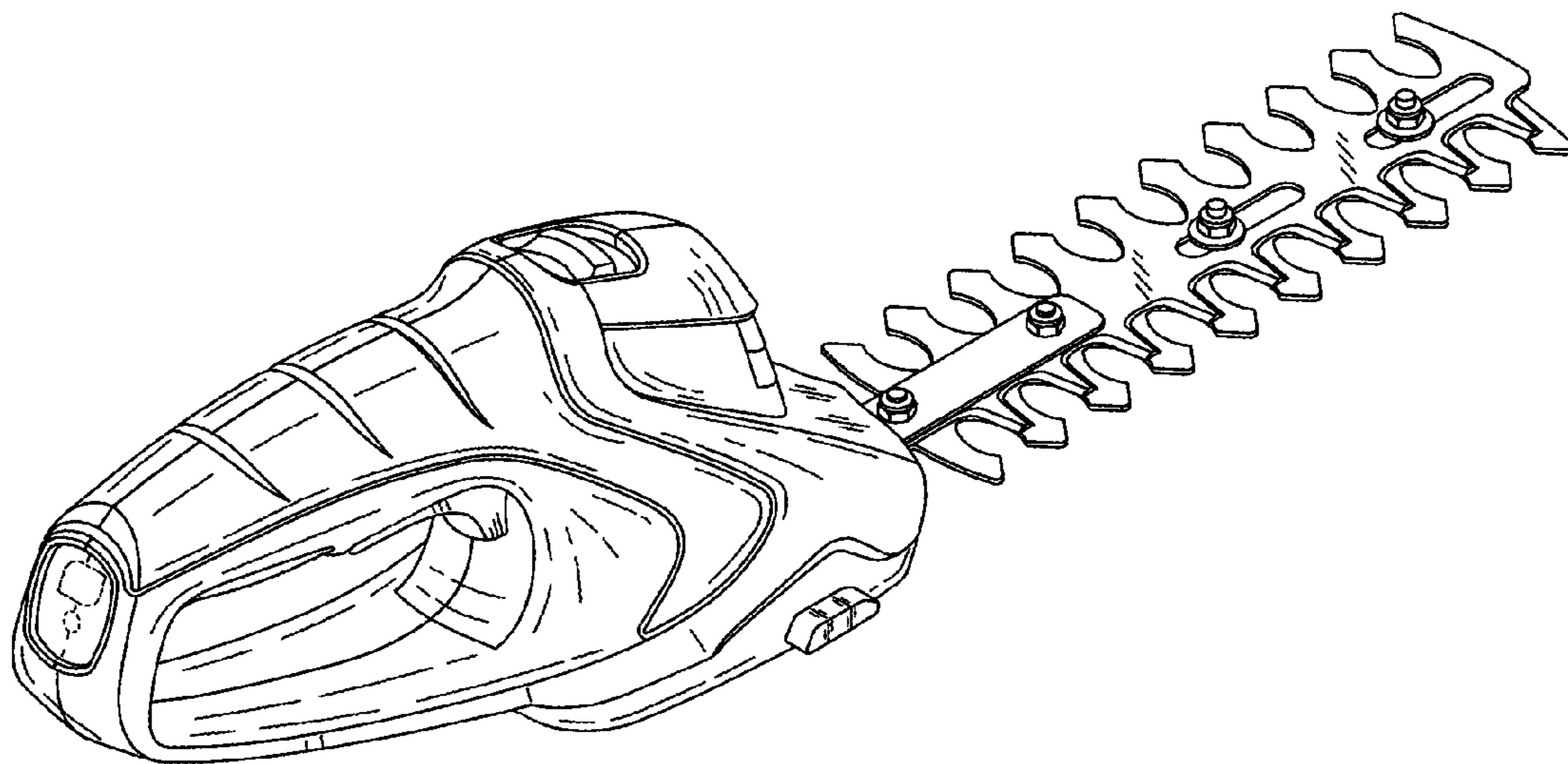
FIG. 1 is top plan view of a hedge trimmer showing our new design;  
FIG. 2 is bottom plan view of the hedge trimmer shown in FIG. 1;  
FIG. 3 is a left side elevational view of the hedge trimmer shown in FIG. 1;  
FIG. 4 is a right side elevational view of the hedge trimmer shown in FIG. 1;  
FIG. 5 is a front elevational view of the hedge trimmer shown in FIG. 1;  
FIG. 6 is a rear elevational view of the hedge trimmer shown in FIG. 1; and,  
FIG. 7 is a perspective view of the hedge trimmer shown in FIG. 1.

(56) **References Cited**

**U.S. PATENT DOCUMENTS**

D548,028 S \* 8/2007 Mooney et al. .... D8/8  
D580,240 S \* 11/2008 Murray ..... D8/8  
D623,487 S \* 9/2010 Tinius ..... D8/8

**1 Claim, 6 Drawing Sheets**



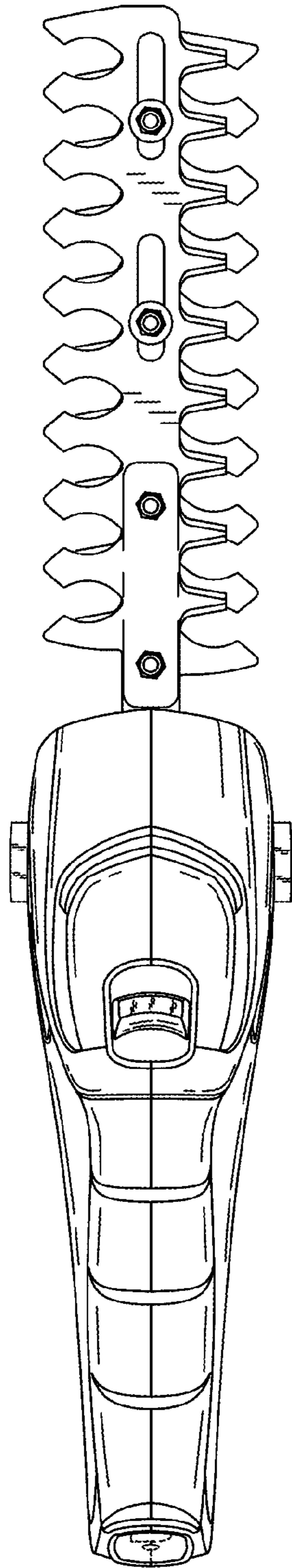


Fig. 1

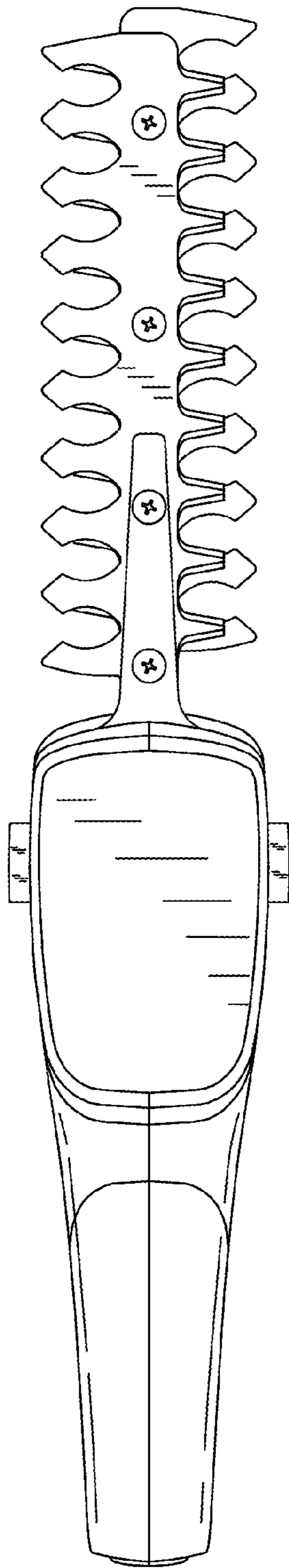


Fig. 2

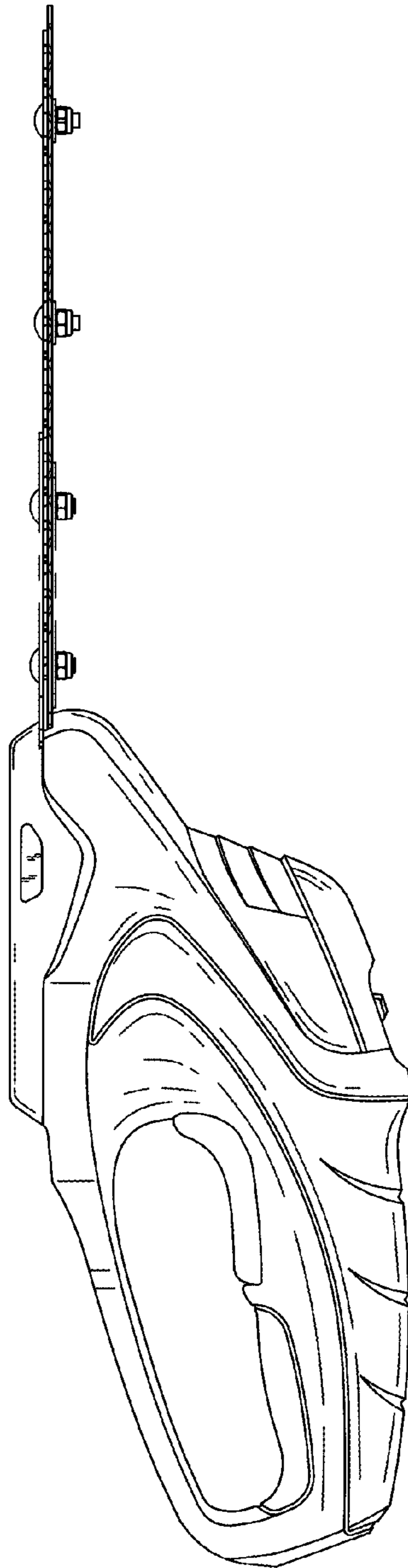


Fig. 3

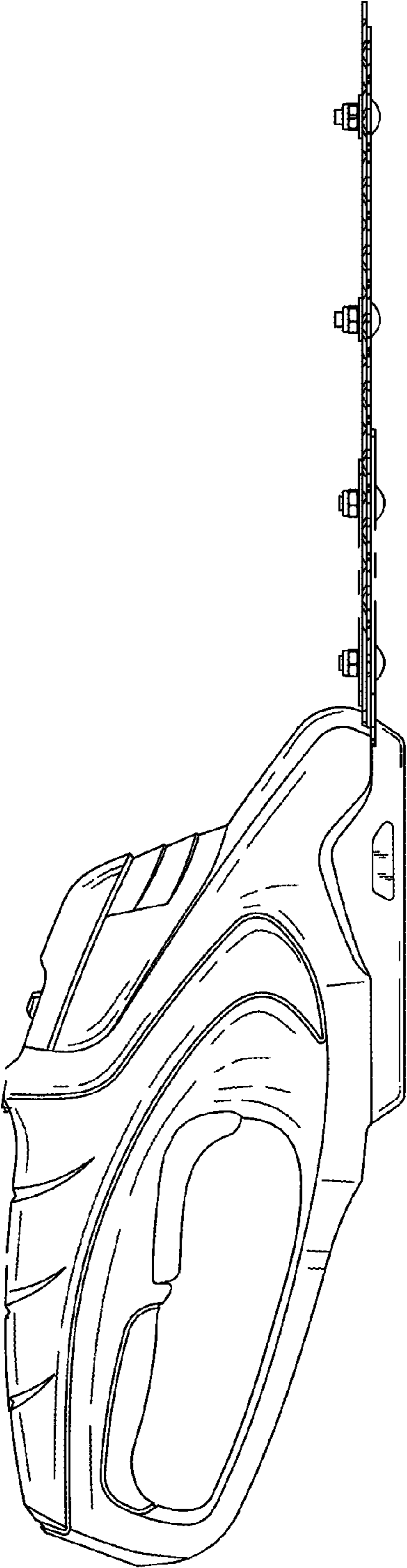


Fig. 4

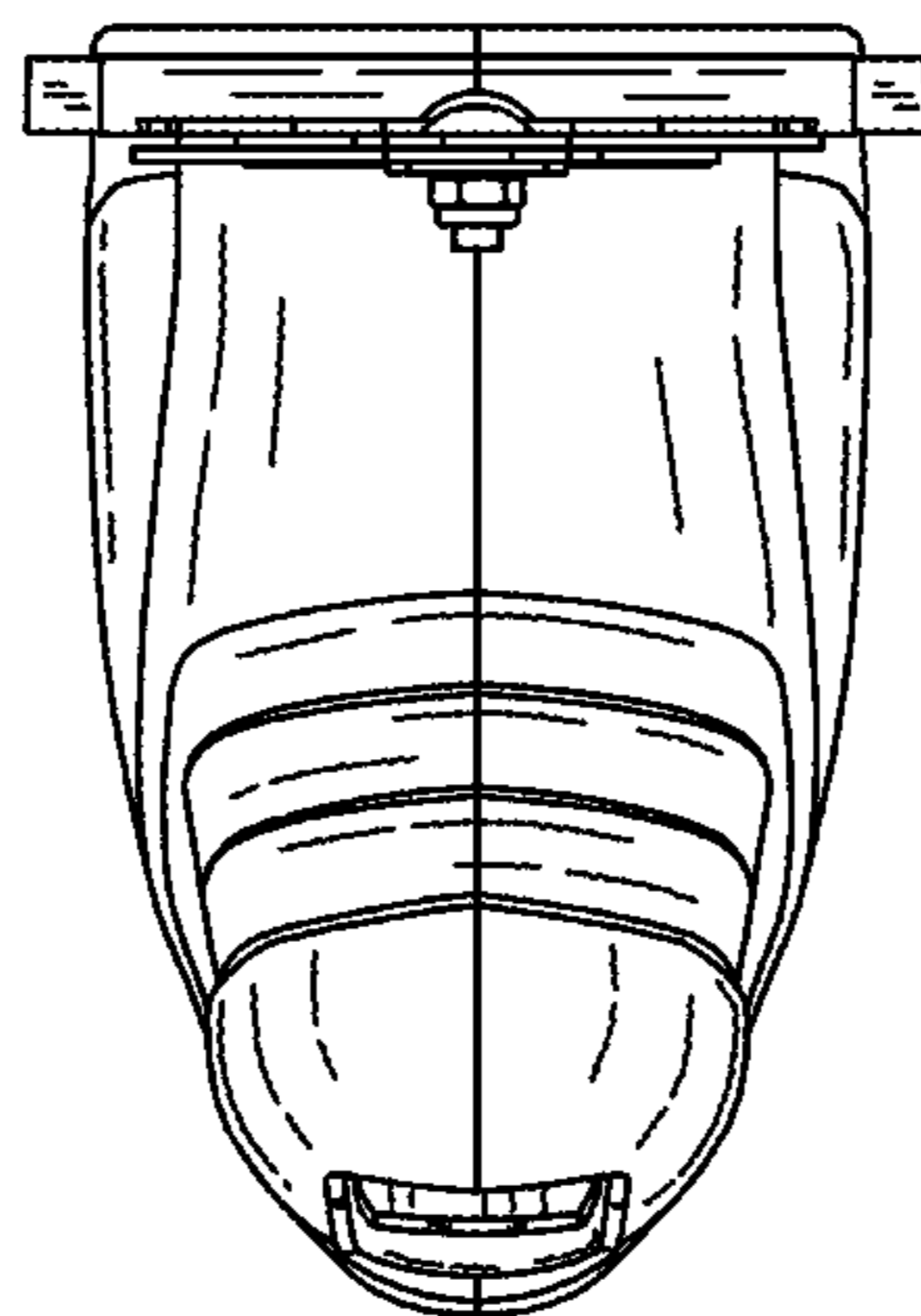


Fig. 5

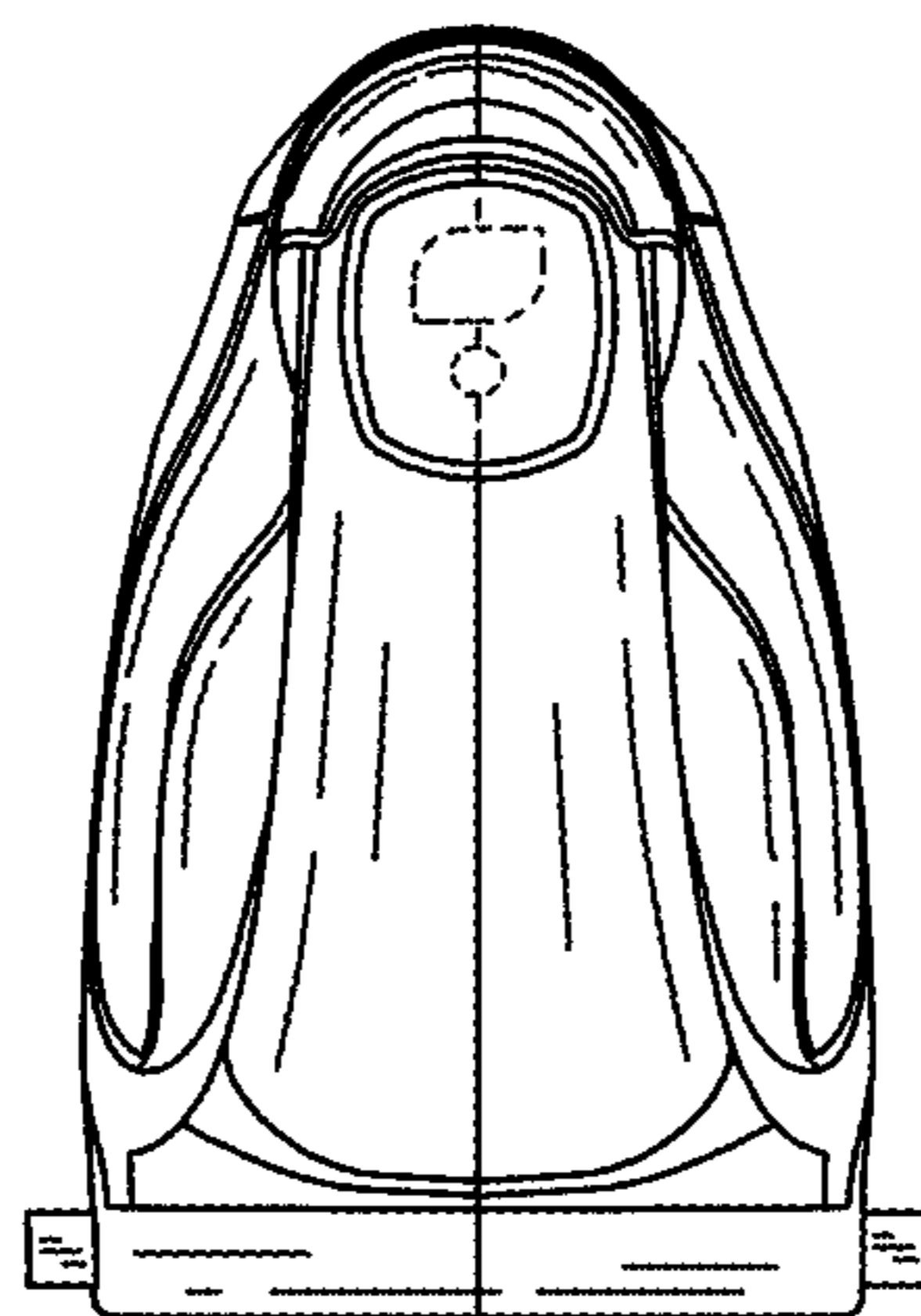


Fig. 6

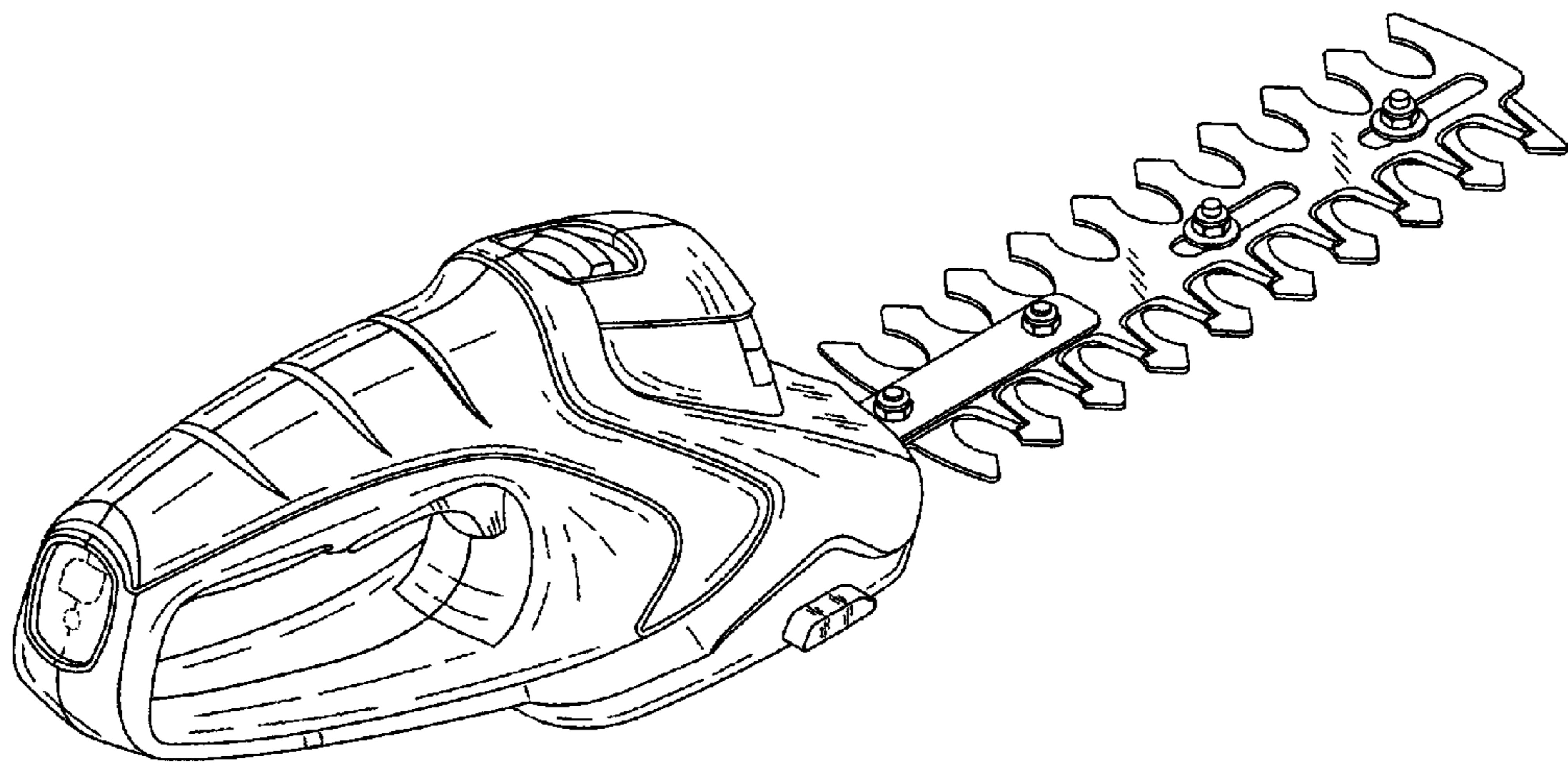


Fig. 7