



US00D712210S

(12) **United States Design Patent**  
**Rollenhagen et al.**

(10) **Patent No.:** **US D712,210 S**

(45) **Date of Patent:** **\*\* Sep. 2, 2014**

(54) **HOPPER**

(71) Applicant: **Kinze Manufacturing, Inc.**,  
Williamsburg, IA (US)

(72) Inventors: **Trevor N. Rollenhagen**, North Liberty,  
IA (US); **Susanne Veatch**, Williamsburg,  
IA (US); **Rhett Schildroth**,  
Williamsburg, IA (US)

(73) Assignee: **Kinze Manufacturing, Inc.**,  
Williamsburg, IA (US)

(\*\*) Term: **14 Years**

(21) Appl. No.: **29/477,243**

(22) Filed: **Dec. 20, 2013**

(51) **LOC (10) Cl.** ..... **08-01**

(52) **U.S. Cl.**  
USPC ..... **D8/2**

(58) **Field of Classification Search**  
USPC ..... D8/1-2; D15/13; D34/28, 1;  
111/184-185

See application file for complete search history.

(56) **References Cited**

U.S. PATENT DOCUMENTS

4,924,786 A \* 5/1990 Keeton ..... 111/184

5,027,725 A \* 7/1991 Keeton ..... 111/184  
D338,756 S \* 8/1993 Pink et al. .... D34/1  
5,285,971 A \* 2/1994 Havlovitz ..... 239/686  
5,944,264 A \* 8/1999 Truax et al. .... 239/653  
6,401,638 B1 \* 6/2002 Crabb et al. .... 111/185  
D534,044 S \* 12/2006 Zak ..... D8/2  
D555,322 S \* 11/2007 Hlady et al. .... D34/28  
D647,768 S \* 11/2011 Sansone ..... D8/2

\* cited by examiner

*Primary Examiner* — Sheryl Lane

(74) *Attorney, Agent, or Firm* — McKee, Voorhees & Sease

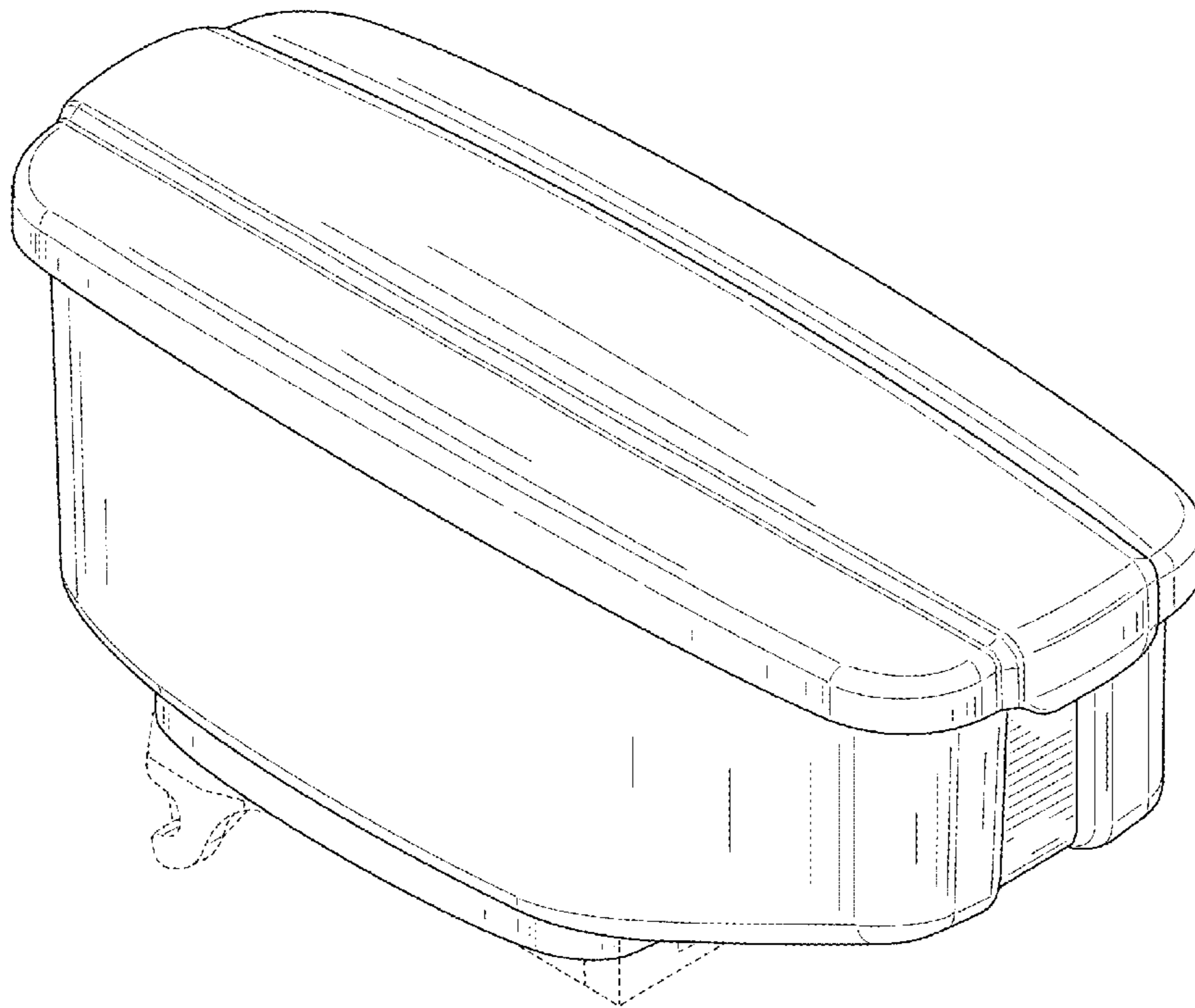
(57) **CLAIM**

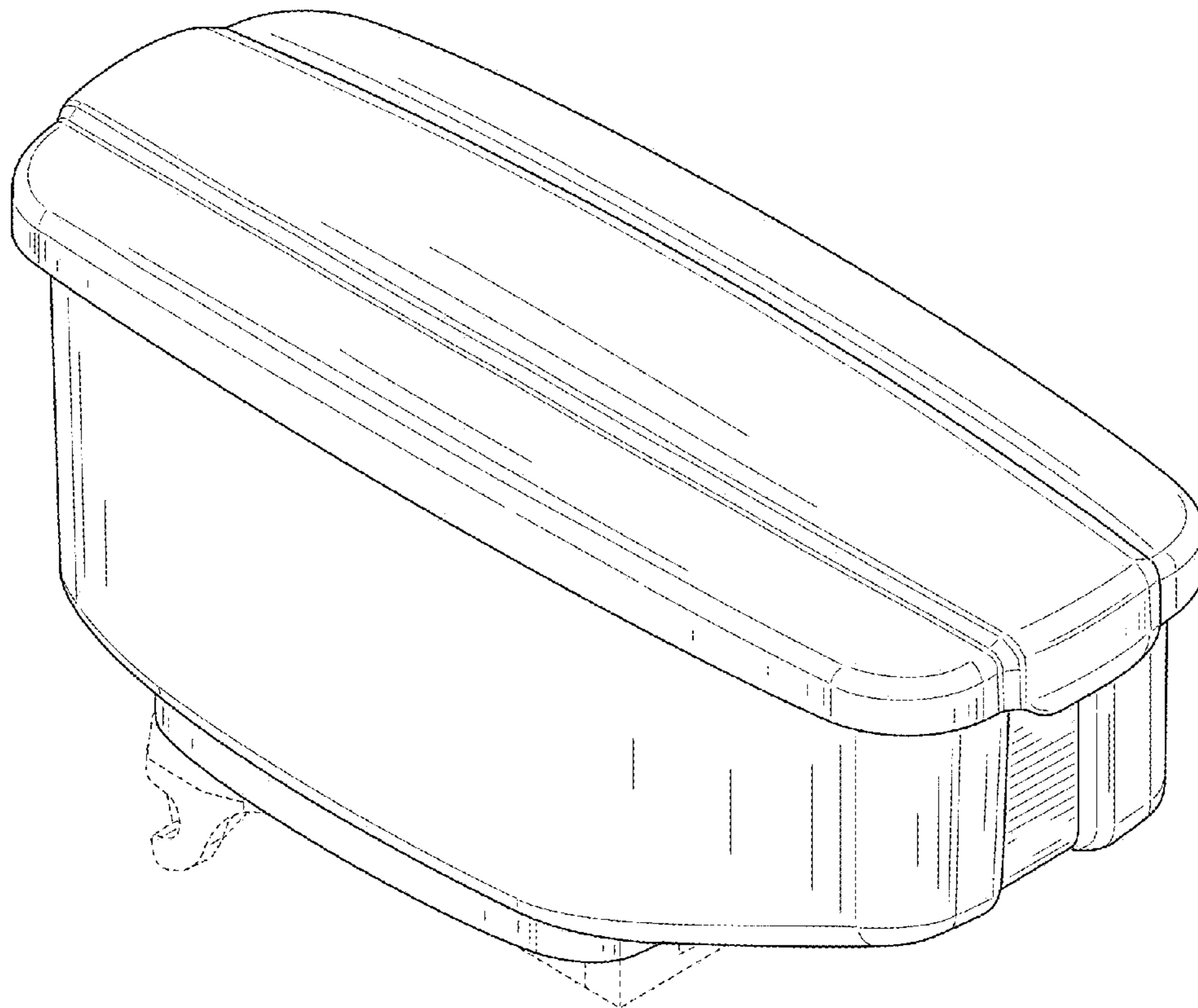
We claim the ornamental design for a hopper, substantially as shown and described.

**DESCRIPTION**

FIG. 1 is a front perspective view of the hopper;  
FIG. 2 is a rear elevation view of the hopper;  
FIG. 3 is a right elevation view of the hopper;  
FIG. 4 is a front elevation view of the hopper;  
FIG. 5 is a top plan view of the hopper;  
FIG. 6 is a bottom plan view of the hopper; and,  
FIG. 7 is a rear perspective view of the hopper.  
The broken lines represent portions of the article, and form no part of the claimed design.

**1 Claim, 7 Drawing Sheets**





**FIG. 1**

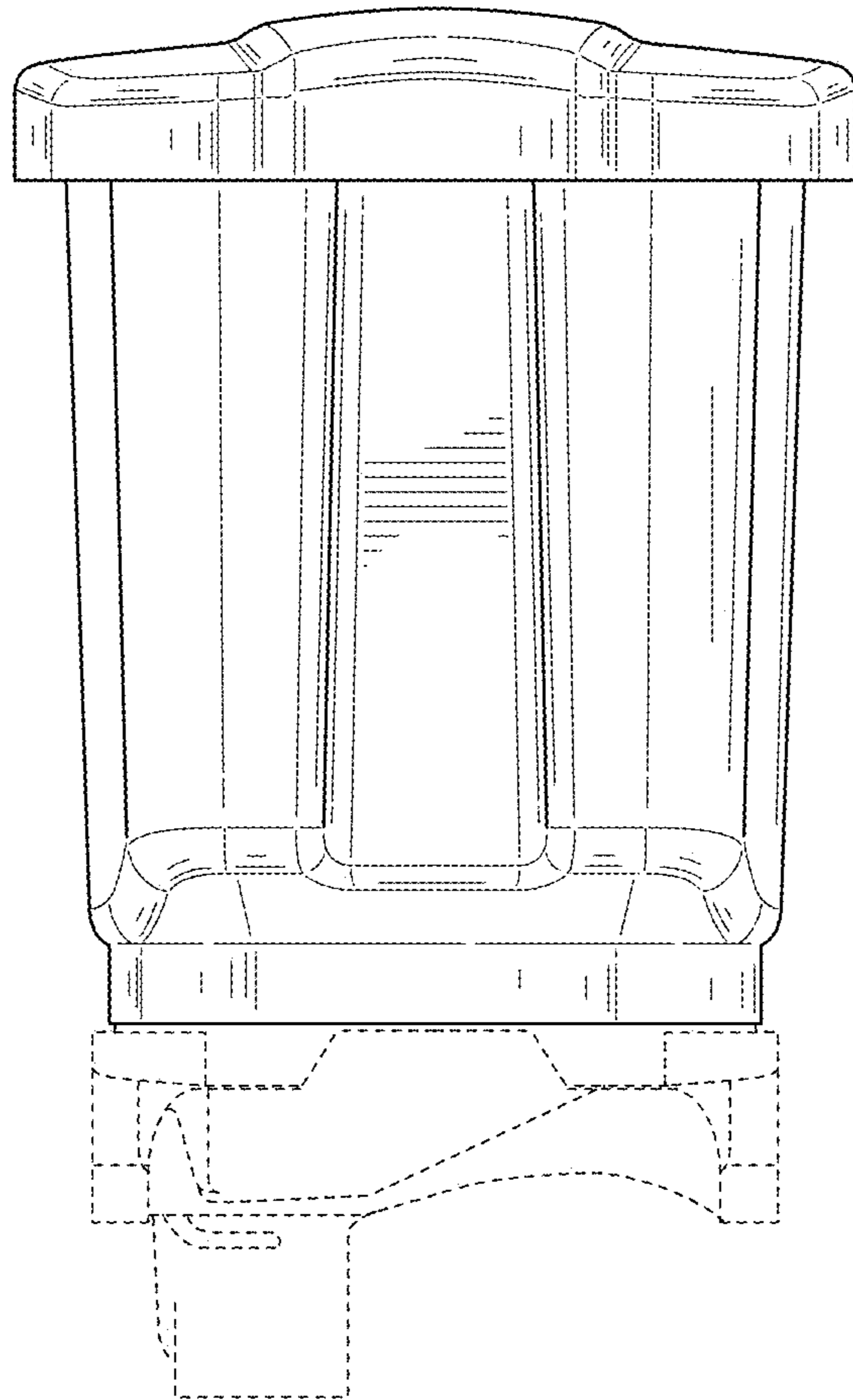


FIG. 2

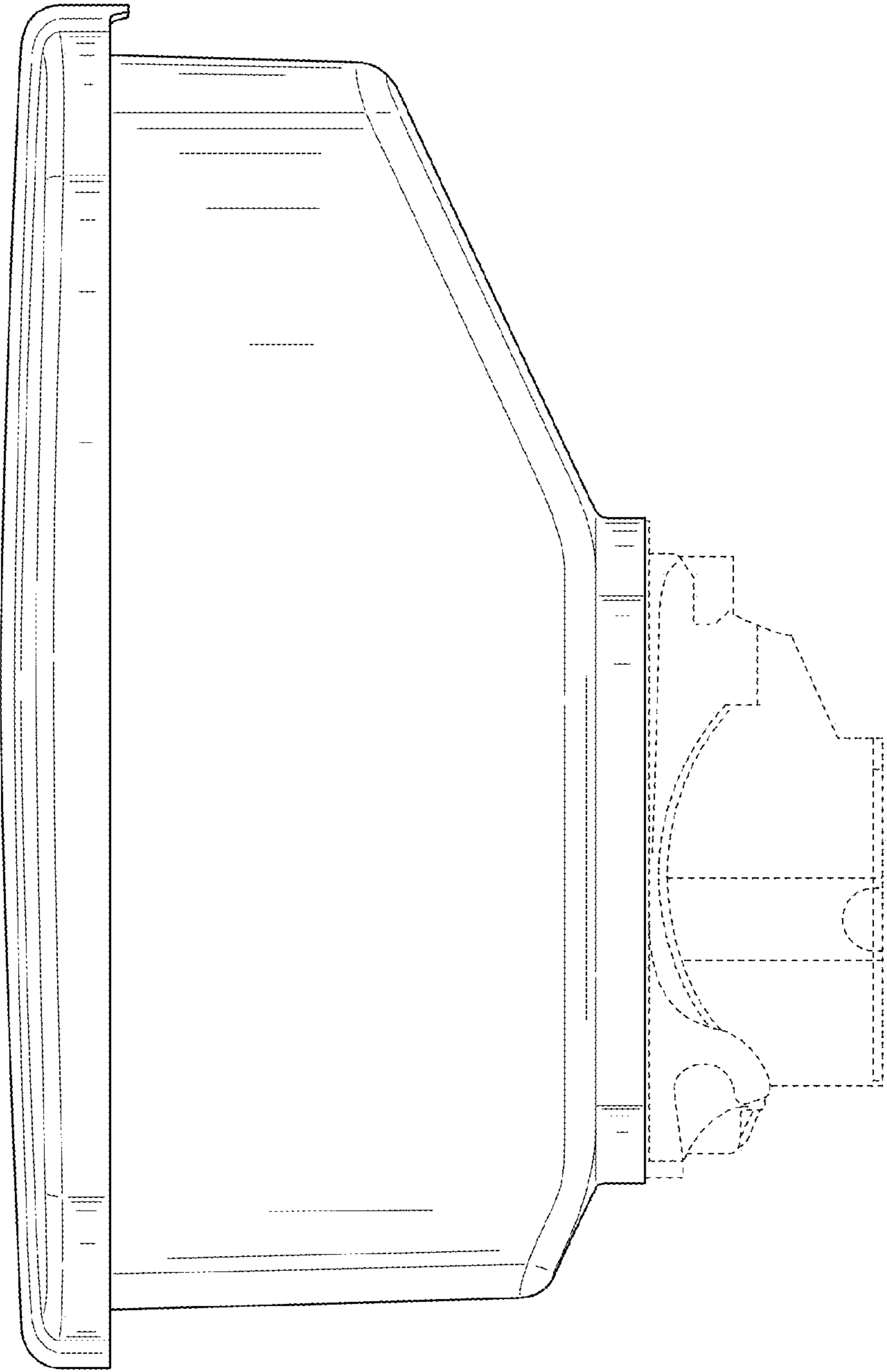
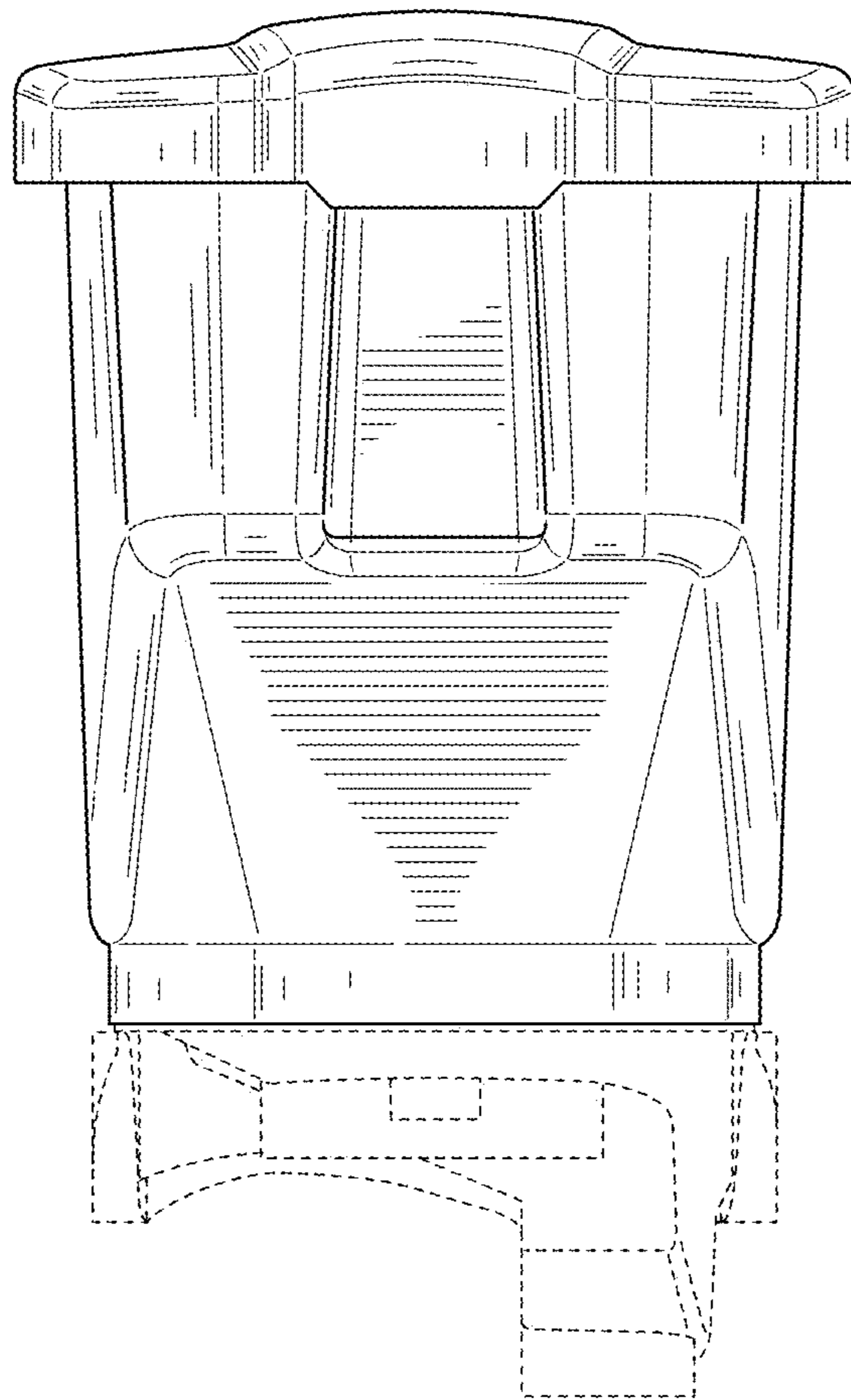


FIG. 3



**FIG. 4**

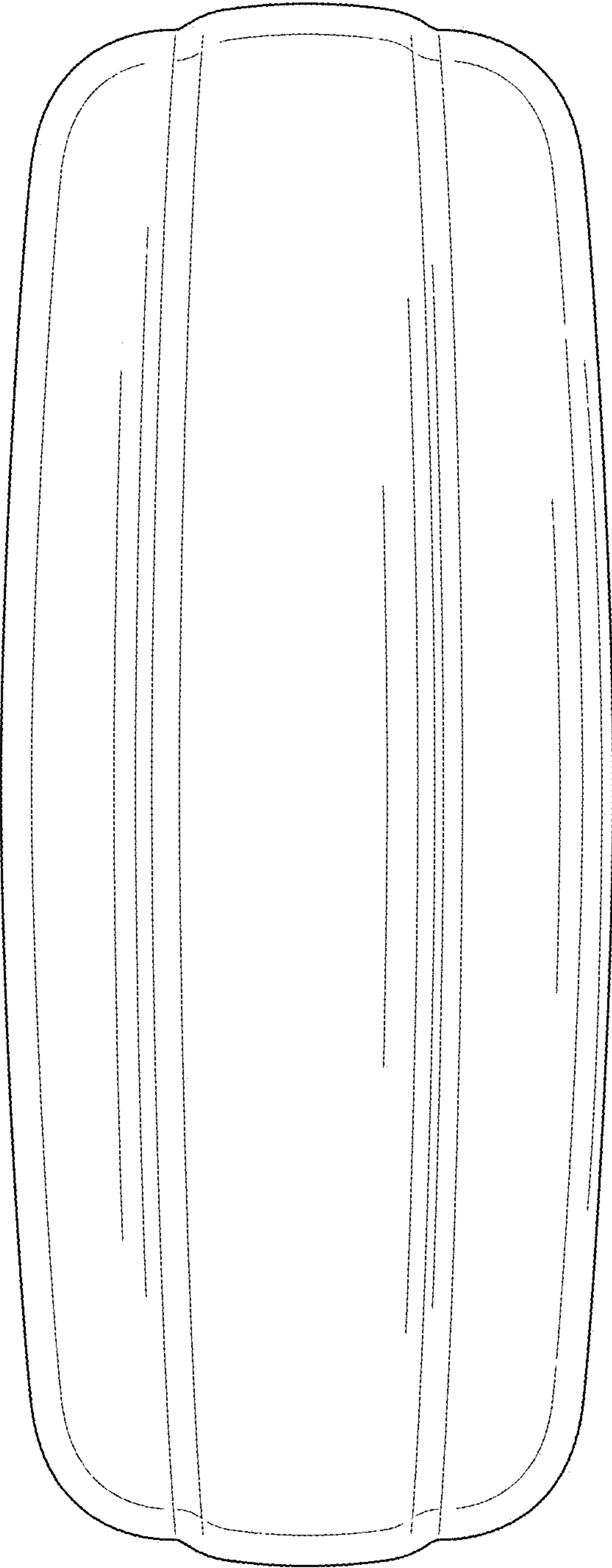


FIG. 5



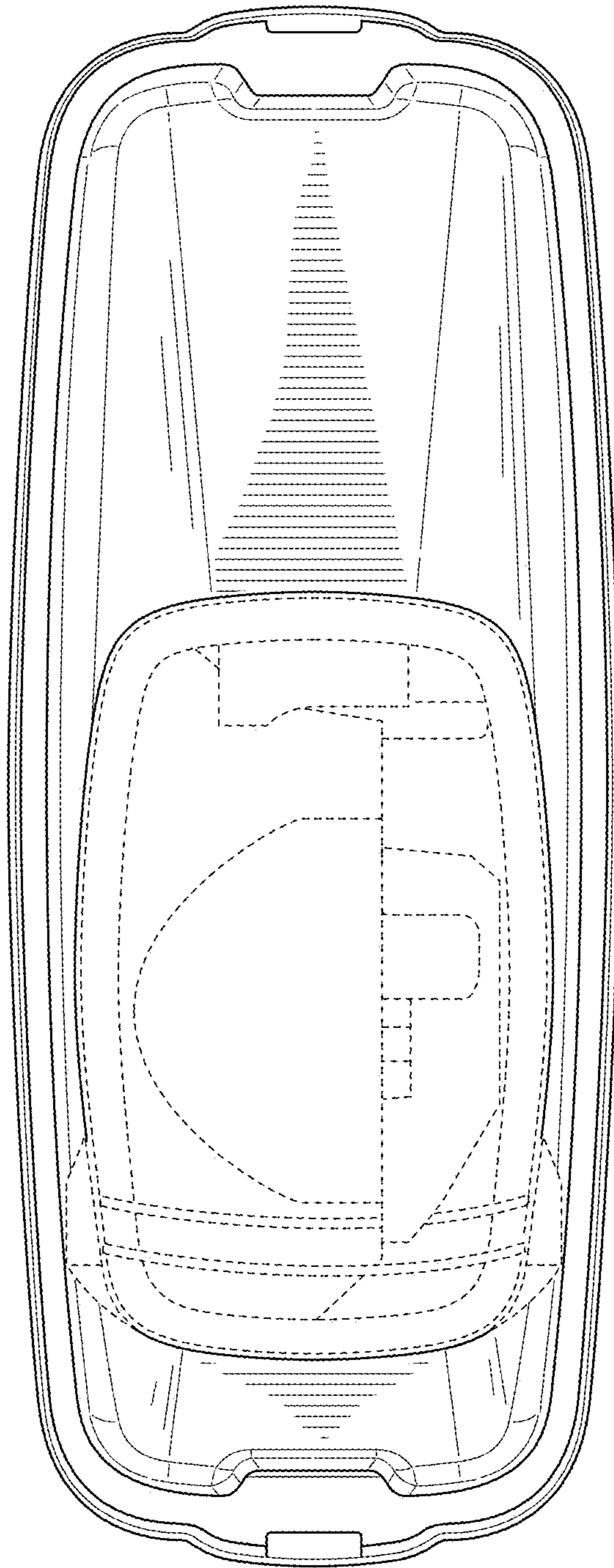


FIG. 6

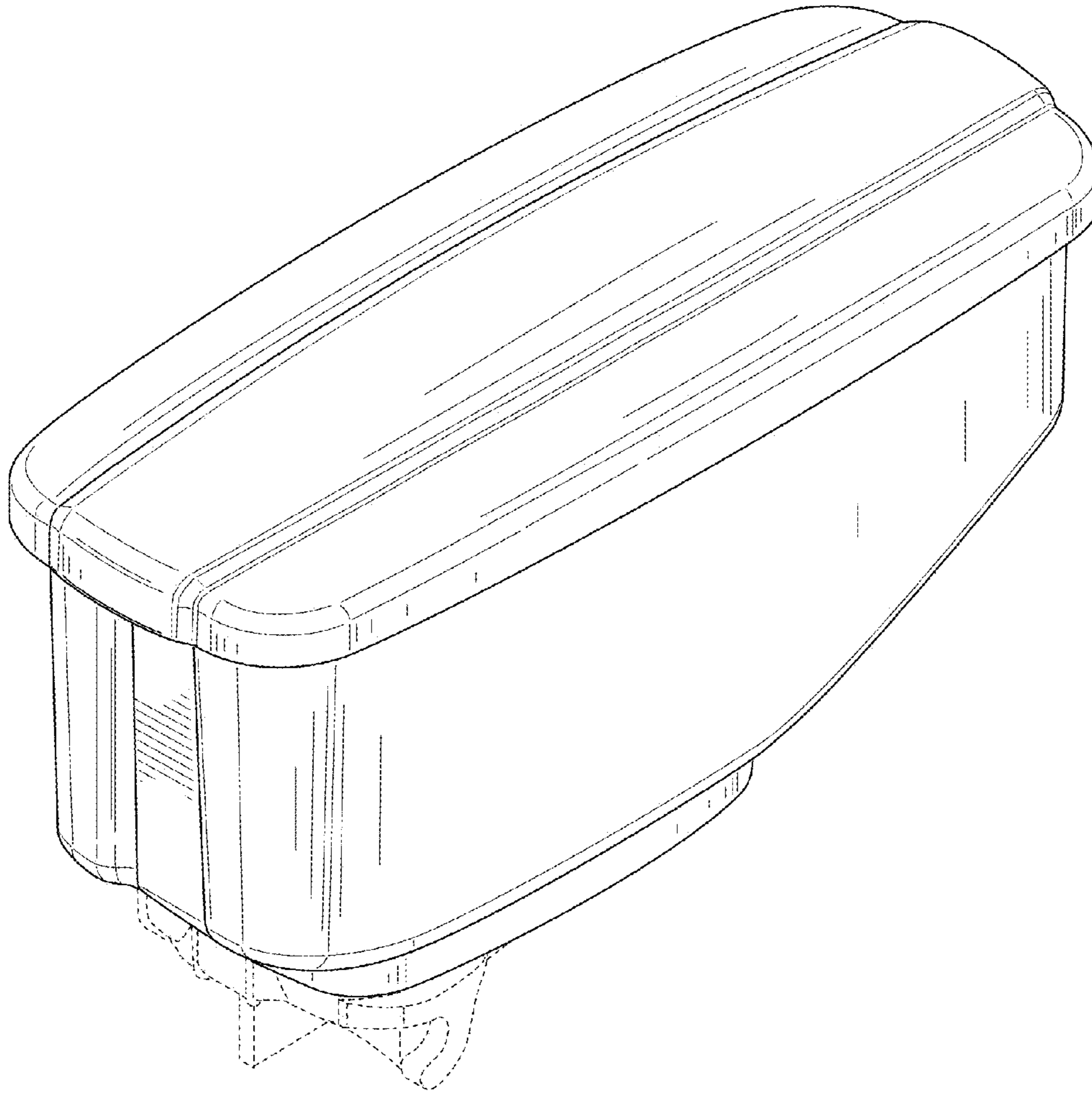


FIG. 7