



US00D712209S

(12) **United States Design Patent**
Hager et al.

(10) **Patent No.:** **US D712,209 S**
(45) **Date of Patent:** **** Sep. 2, 2014**

- (54) **COLLAPSIBLE FUNNEL**
- (75) Inventors: **Scott Hager**, Muncie, IN (US); **Linda Edgar**, Minnetonka, MN (US)
- (73) Assignee: **Hearthmark, LLC**, Daleville, IN (US)
- (**) Term: **14 Years**
- (21) Appl. No.: **29/418,486**
- (22) Filed: **Apr. 17, 2012**

D412,448	S	*	8/1999	Bentson	D10/46.2
D552,433	S	*	10/2007	Stewart	D7/667
D558,537	S	*	1/2008	Curtin	D7/667
D562,159	S	*	2/2008	Griffith et al.	D10/46.2
D593,383	S	*	6/2009	Pallotto et al.	D7/700
D595,997	S	*	7/2009	Lee	D7/667
D633,266	S	*	2/2011	Tuan	D32/53
D652,745	S	*	1/2012	Lee et al.	D10/46.2
D656,800	S	*	4/2012	Lee et al.	D7/667
D661,957	S	*	6/2012	Lee et al.	D7/700
D662,794	S	*	7/2012	Enghard	D7/700
D664,003	S	*	7/2012	Nagoya	D7/512
D675,482	S	*	2/2013	Heggstad et al.	D7/512
2007/0251874	A1	*	11/2007	Stewart	210/232

Related U.S. Application Data

- (63) Continuation-in-part of application No. 29/381,083, filed on Dec. 15, 2010, now abandoned.
- (51) **LOC (10) Cl.** **07-99**
- (52) **U.S. Cl.**
USPC **D7/700**
- (58) **Field of Classification Search**
USPC D7/700, 354, 356, 357, 361, 368, 396.2, D7/667, 400, 409, 543, 523, 510, 512, 629, D7/668, 669, 691, 589, 412, 415; D30/129, 132, 162; D14/208; D24/122; D23/200; D9/436, 434, 503, D9/536; D10/46.2; D15/150, 152; 210/314, 456, 464, 470-478, 497.1, 210/498, 499; 141/297-300, 331-345, 95, 141/98, 199-205, 384, 386; 99/324, 325, 99/339, 416, 415, 425, 426, 345, 495, 490, 99/505-510; 220/86.2; 215/316, 321, 329, 215/43; 294/179; 100/110, 113, 116, 127, 100/213, 248

See application file for complete search history.

(56) **References Cited**

U.S. PATENT DOCUMENTS

216,530	A	*	6/1879	Pfitzenmeier	141/94
2,410,010	A	*	10/1946	Brant	210/314
2,701,644	A	*	2/1955	Griffiths	210/456

OTHER PUBLICATIONS

Fashion Mini Silicone Telescopic Collapsible Funnel, [online], product reviewed on Mar. 29, 2013, retrieved on Apr. 30, 2013. Retrieved from, <URL: <http://www.ahappydeal.com/product-119087.html>>, 2 pages.*

(Continued)

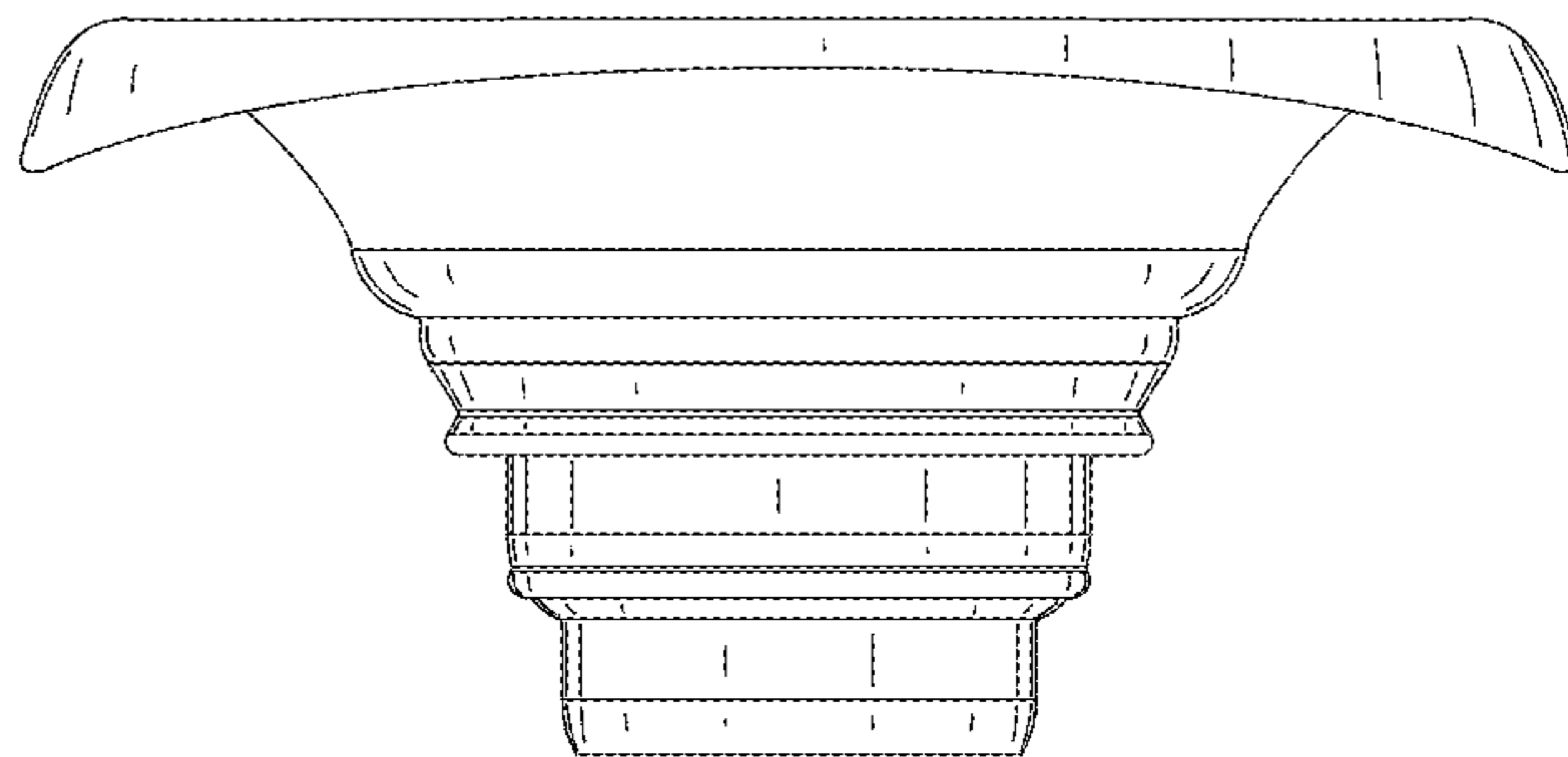
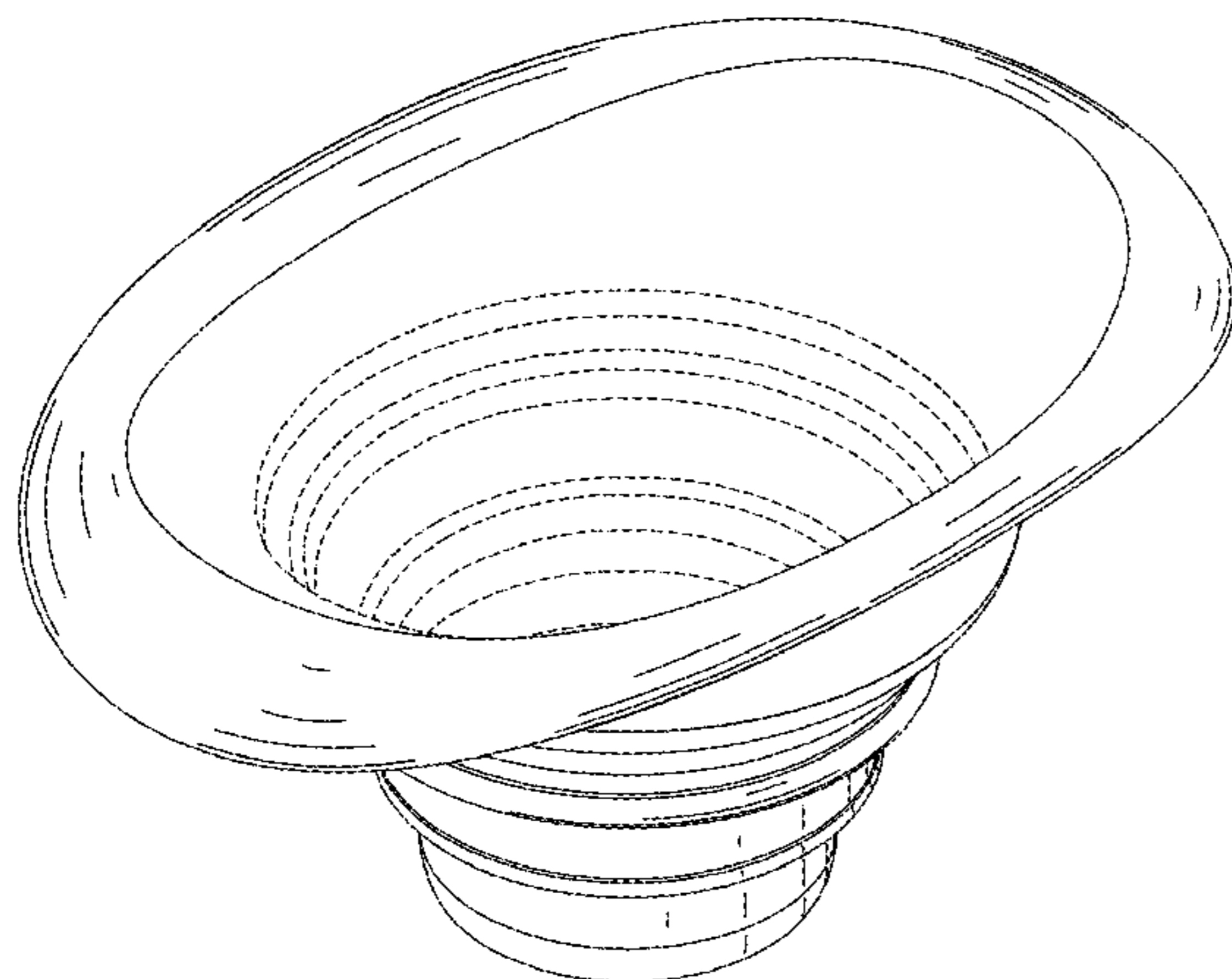
Primary Examiner — Ian Simmons
Assistant Examiner — Shannon Morgan
(74) *Attorney, Agent, or Firm* — Lawrence J. Shurupoff

(57) **CLAIM**
The ornamental design for a collapsible funnel, as shown and described.

DESCRIPTION

FIG. 1 is a front perspective view of a collapsible funnel; FIG. 2 is a left side view thereof; FIG. 3 is a rear view thereof; FIG. 4 is a right side view thereof; FIG. 5 is a front view thereof; FIG. 6 is a top plan view thereof; and, FIG. 7 is a bottom plan view thereof. The broken lines in FIGS. 1 and 6 of the collapsible funnel are for the purpose of illustrating environment, and form no part of the claimed design.

1 Claim, 7 Drawing Sheets



(56)

References Cited

OTHER PUBLICATIONS

Collapsible Silicone Funnel (AI-K607), [online], earliest valid price date Nov. 24, 2011, retrieved on Apr. 30, 2013. Retrieved from, <URL: <http://armadacn.en.made-in-china.com/product/GMbmqlEoHsVp/China-Collapsible-Silicone-Funnel-AI-K607-.html>>, 1 page.*

Collapsible Funnel—Accessories, [online], published on Oct. 2, 2007, retrieved on Apr. 30, 2013. Retrieved from, <URL: <http://www.betterlivingthroughdesign.com/accessories/collapsible-funnel/>>, 1 page.*

[betterlivingthroughdesign.com/accessories/collapsible-funnel/](http://www.betterlivingthroughdesign.com/accessories/collapsible-funnel/) 4/>, 1 page.*

Collapsible Kitchen Tools are great for small spaces, published on Mar. 13, 2009, retrieved on Apr. 30, 2013. Retrieved from, <URL: <http://www.luxuryhousingtrends.com/archive/2009/03/collapsible-kitchen-tools-are-great-for-small-spaces/>>, 1 page.*

* cited by examiner

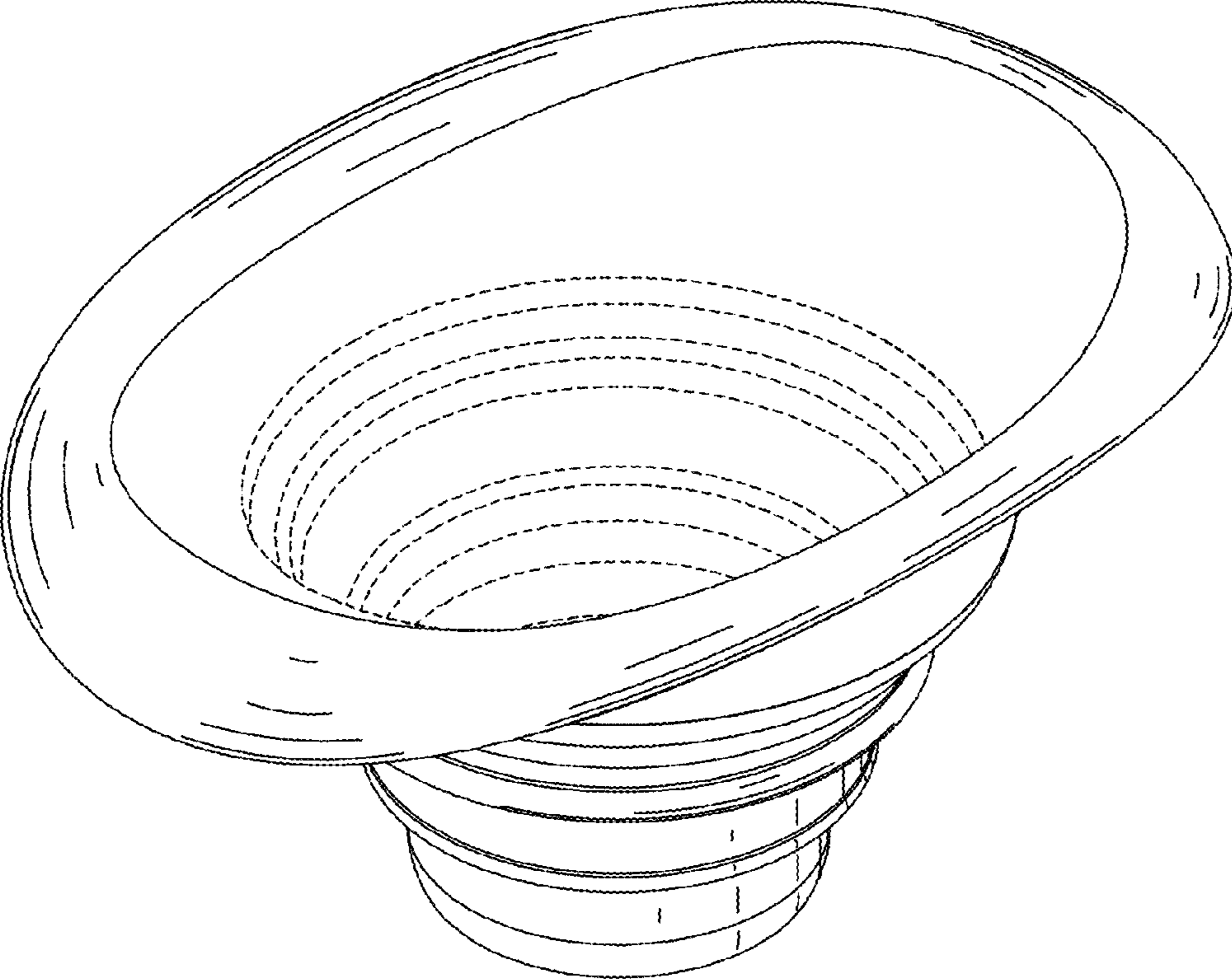


FIG 1

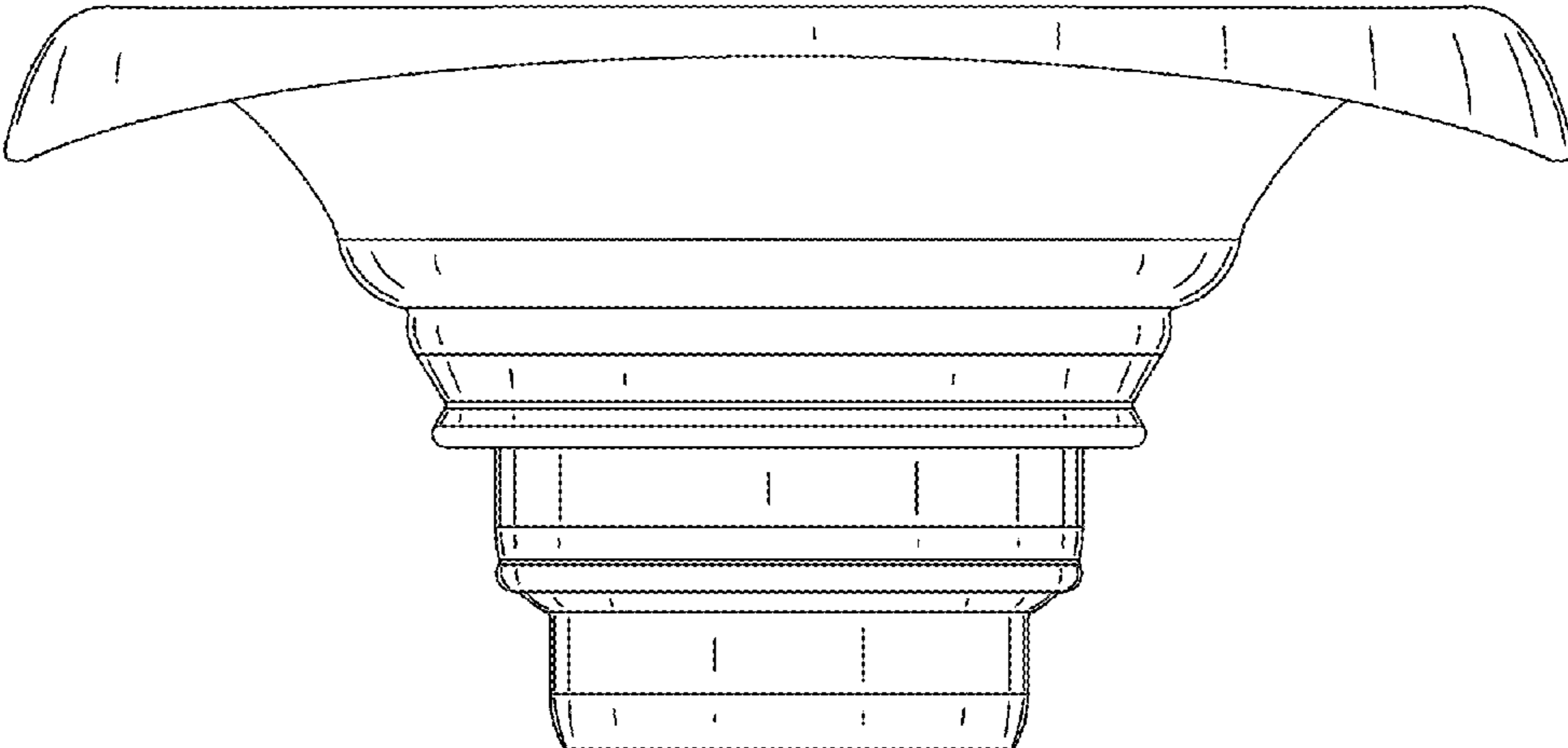


FIG 2

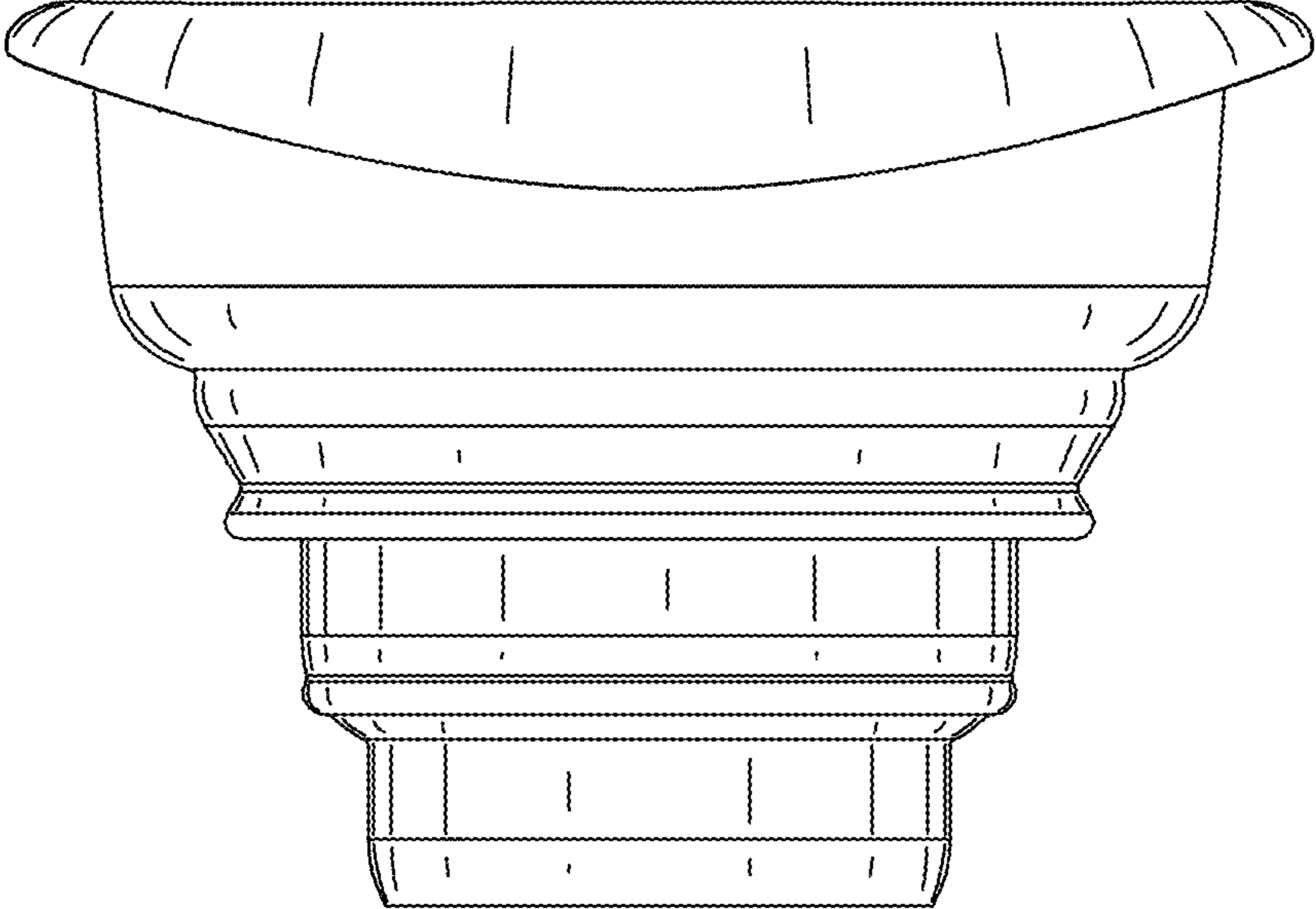


FIG 3

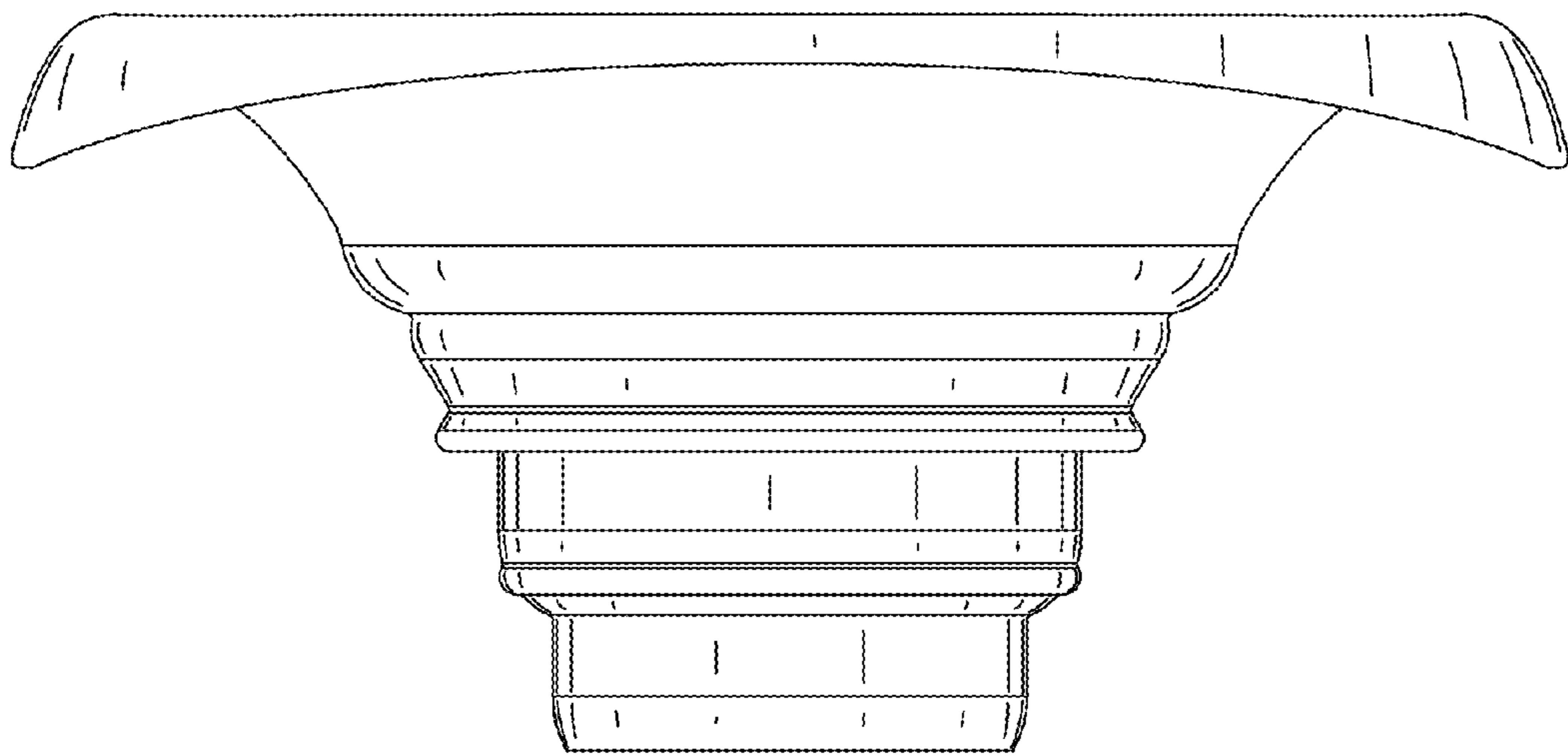


FIG 4

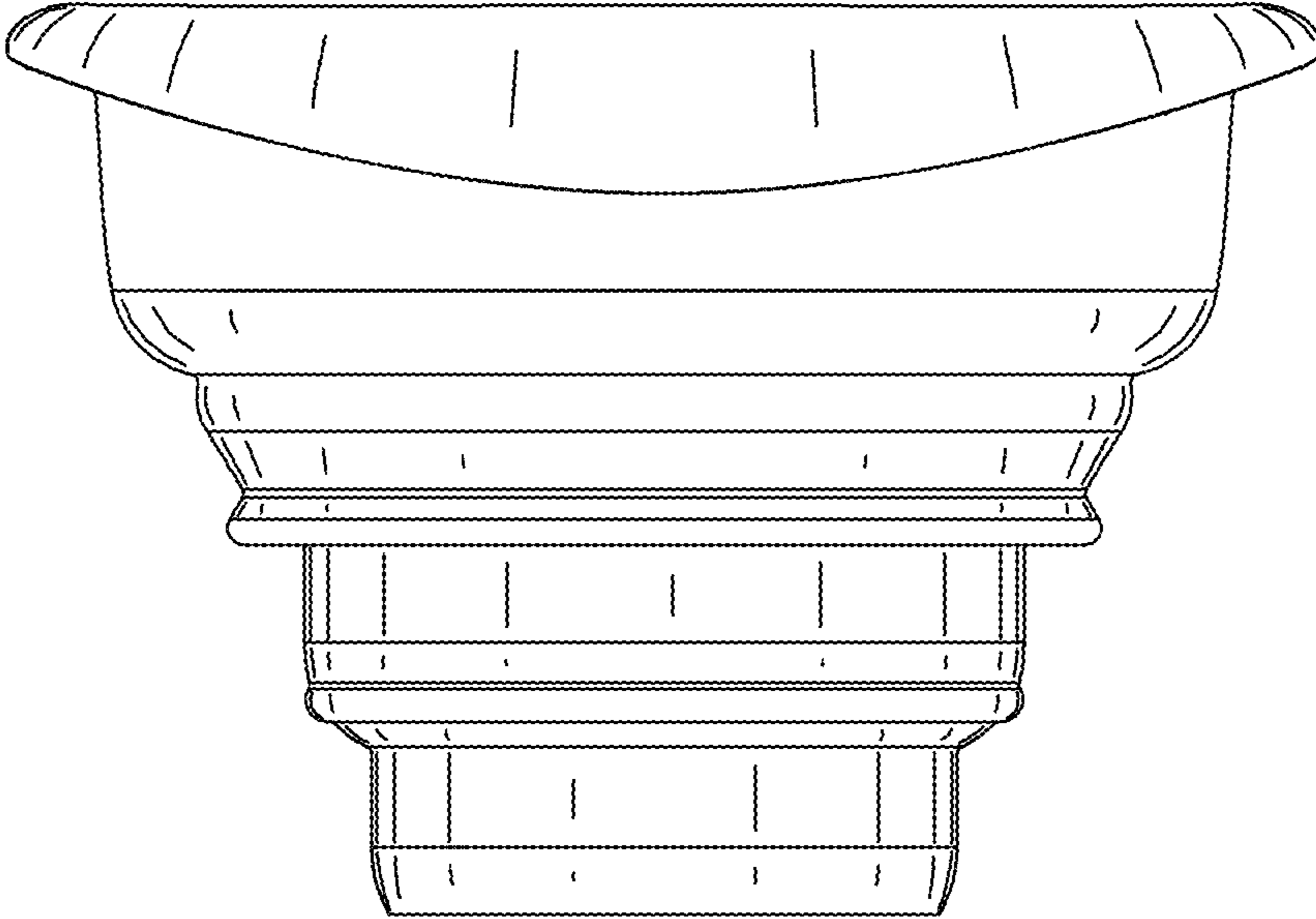


FIG 5

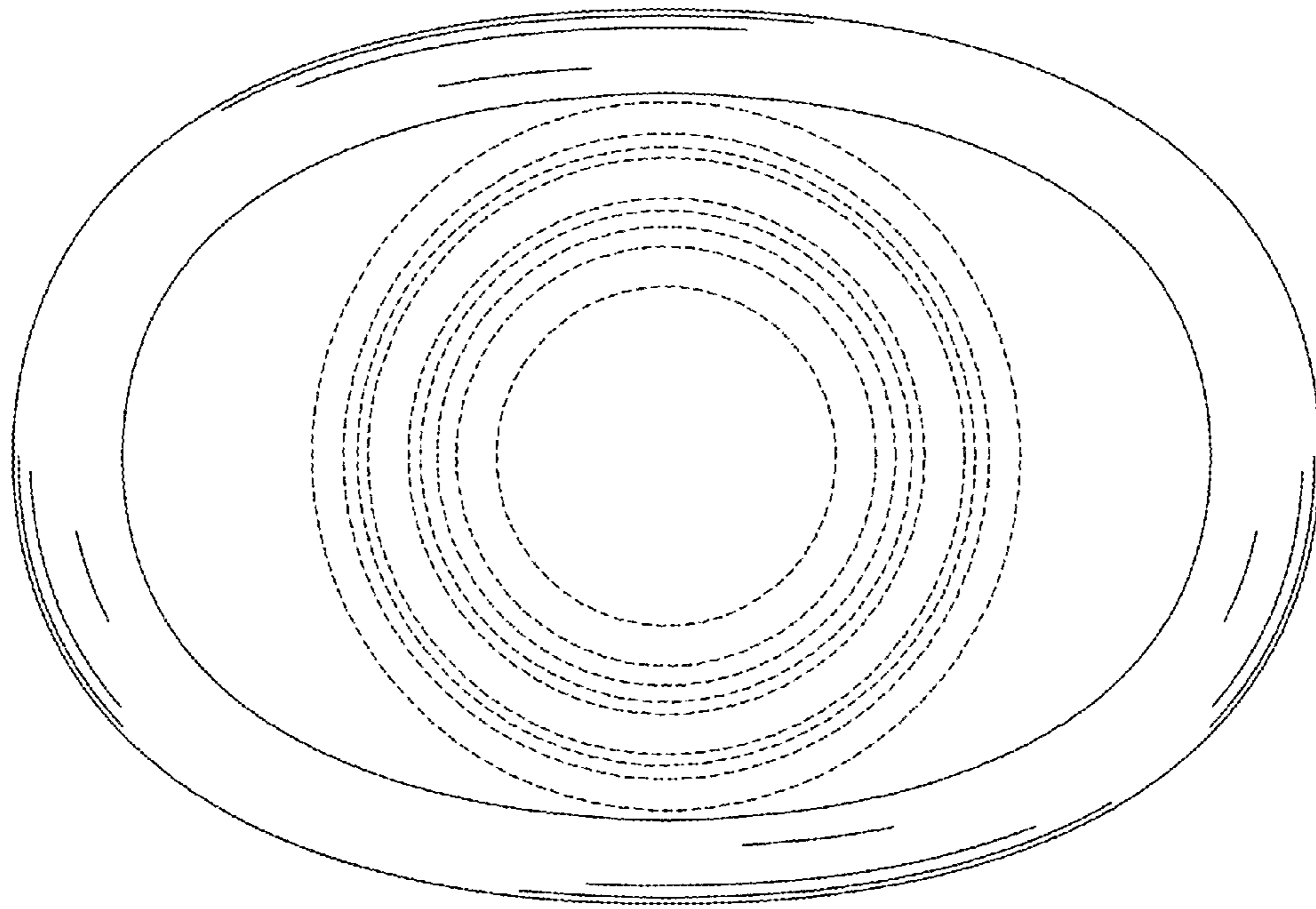


FIG 6

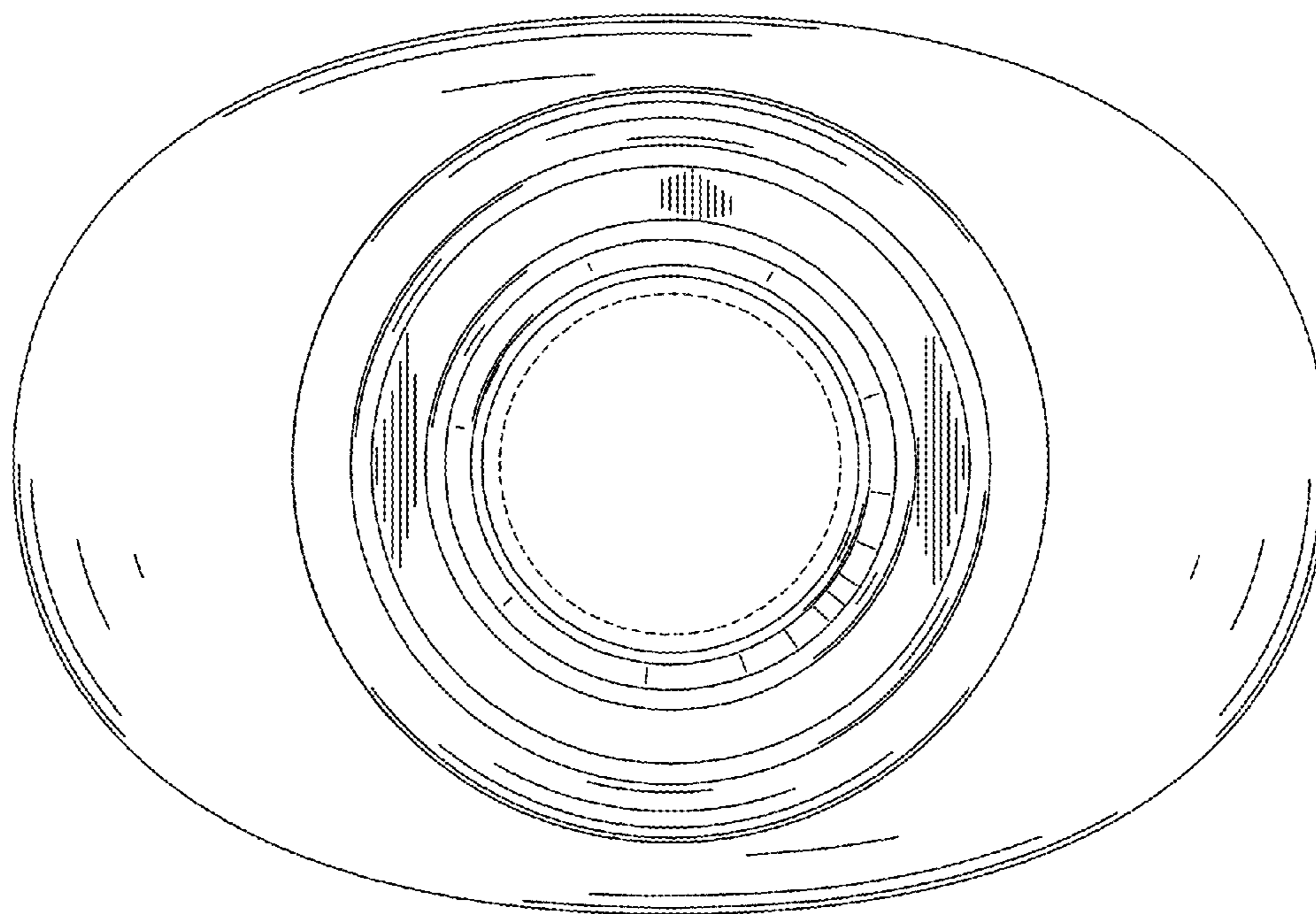


FIG 7