

US00D712204S

(12) **United States Design Patent**
Hatcher et al.

(10) **Patent No.:** **US D712,204 S**
(45) **Date of Patent:** **** Sep. 2, 2014**

(54) **FOOD TRAY**

(75) Inventors: **Ashley Hatcher**, Columbus, GA (US);
Seth Sawyer, Columbus, GA (US);
James Carden, Columbus, GA (US)

(73) Assignee: **Masterbuilt Manufacturing, Inc.**,
Columbus, GA (US)

(**) Term: **14 Years**

(21) Appl. No.: **29/422,902**

(22) Filed: **May 24, 2012**

(51) **LOC (10) Cl.** **07-01**

(52) **U.S. Cl.**
USPC **D7/553.5**

(58) **Field of Classification Search**
USPC D7/553.4–553.5, 553.1–553.3, 550.1,
D7/554.1–554.2, 555, 552.1, 553.8, 396.1,
D7/701; 220/500, 527, 553, 555–557,
220/574–575, 795.03

See application file for complete search history.

(56) **References Cited**

U.S. PATENT DOCUMENTS

224,632 A 2/1880 Berry
D145,764 S * 10/1946 Zelov D7/549
D171,104 S * 12/1953 Randall D7/549
2,878,932 A 3/1959 Martire

(Continued)

FOREIGN PATENT DOCUMENTS

FR 2 653 705 5/1991
WO WO 94/14361 7/1994

OTHER PUBLICATIONS

Notification of Transmittal of the International Search Report and the
Written Opinion of the International Searching Authority, or the
Declaration, dated Jul. 23, 2008.

Primary Examiner — Kelley Donnelly

(74) *Attorney, Agent, or Firm* — Hunton & Williams LLP

(57) **CLAIM**

We claim the ornamental design for a food tray, as shown and
described.

DESCRIPTION

FIG. 1 is a perspective view of a food tray according to a first
embodiment;

FIG. 2 is a front elevational view thereof.

FIG. 3 is a rear elevational view thereof.

FIG. 4 is a left side elevational view thereof.

FIG. 5 is a right side elevational view thereof.

FIG. 6 is a top view thereof.

FIG. 7 is a bottom view thereof.

FIG. 8 is an exploded perspective view of the food tray of FIG.
1 with inserts according to a second embodiment.

FIG. 9 is a perspective view of the food tray of FIG. 8 with the
inserts in the retaining portions.

FIG. 10 is a top view of the food tray of FIG. 8 with the inserts
in the retaining portions.

FIG. 11 is an exploded perspective view of the food tray of
FIG. 1 with inserts according to a third embodiment.

FIG. 12 is a perspective view of the food tray of FIG. 11 with
the inserts in the retaining portions.

FIG. 13 is a top view of the food tray of FIG. 11 with the
inserts in the retaining portions.

FIG. 14 is an exploded perspective view of the food tray of
FIG. 1 with inserts according to a fourth embodiment.

FIG. 15 is a perspective view of the food tray of FIG. 14 with
the inserts in the retaining portions.

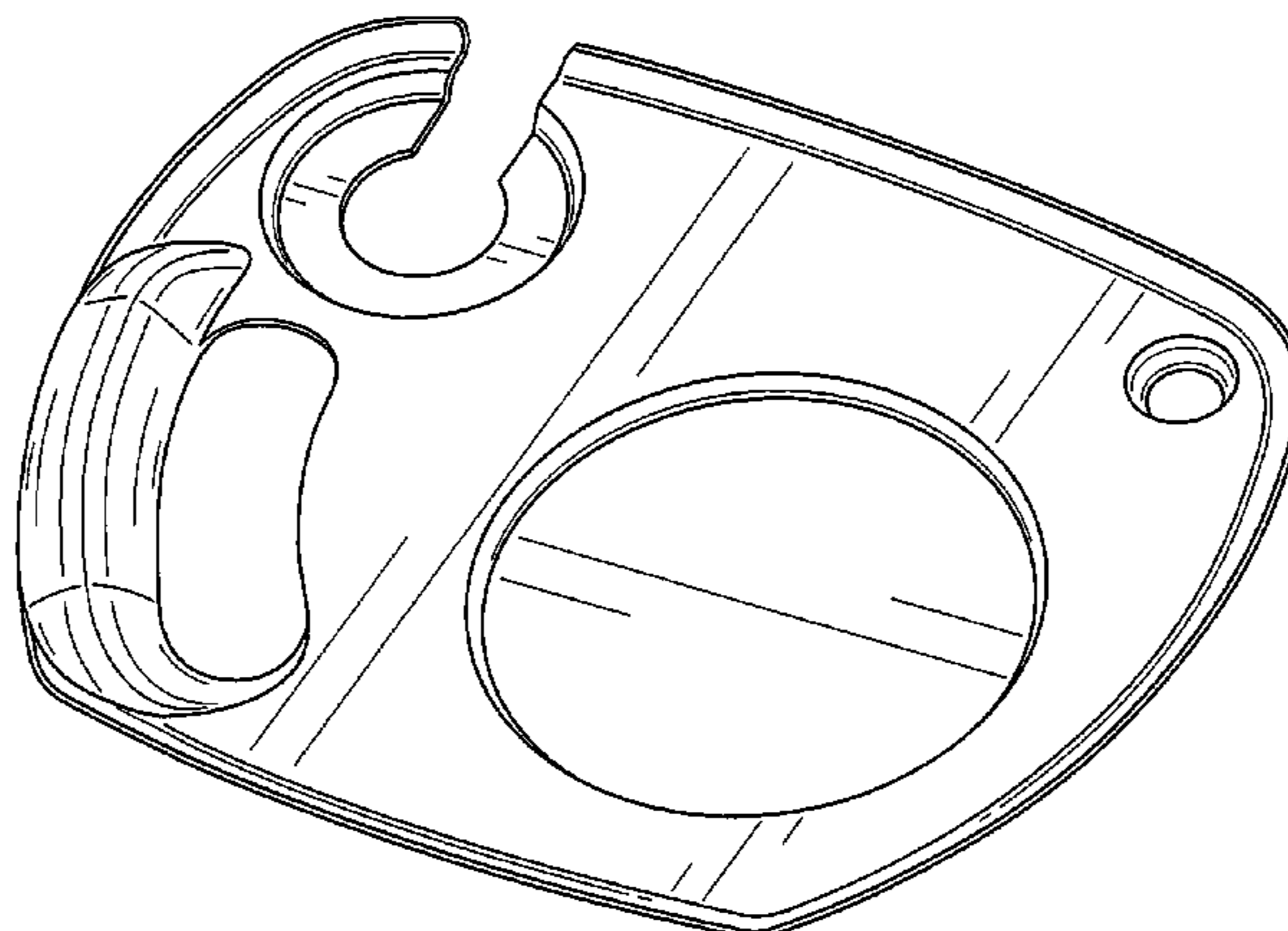
FIG. 16 is a top view of the food tray of FIG. 14 with the
inserts in the retaining portions.

FIG. 17 is an exploded perspective view of the food tray of
FIG. 1 with inserts according to a fifth embodiment.

FIG. 18 is a perspective view of the food tray of FIG. 17 with
the inserts in the retaining portions; and,

FIG. 19 is a top view of the food tray of FIG. 17 with the
inserts in the retaining portions.

1 Claim, 17 Drawing Sheets



(56)

References Cited

U.S. PATENT DOCUMENTS

3,231,718	A	1/1966	Vasile		
3,305,124	A	2/1967	Whiteford		
D216,869	S	3/1970	Britt		
3,808,084	A	4/1974	Doty		
D235,301	S	6/1975	Mountain, Jr. et al.		
D242,515	S	11/1976	Shumrak		
4,005,745	A	2/1977	Colato et al.		
4,019,022	A	4/1977	Seider et al.		
4,093,041	A	6/1978	Davis		
4,194,109	A	3/1980	Springer		
D255,527	S	6/1980	Seager		
D270,506	S	9/1983	Thorne		
4,516,685	A *	5/1985	French	220/23.83	
4,737,390	A	4/1988	Fricano et al.		
4,744,597	A	5/1988	Bauman et al.		
D308,461	S *	6/1990	Hosea	D7/549	
4,966,297	A *	10/1990	Doty	220/23.83	
D322,197	S *	12/1991	Sherlin	D7/549	
D335,796	S	5/1993	Barnes		
D335,797	S	5/1993	DeGrow		
D338,374	S	8/1993	Jacobson		
5,368,183	A	11/1994	Singer		
5,419,455	A *	5/1995	Russeau	220/575	
D360,183	S *	7/1995	Girandola	D12/425	
D363,857	S	11/1995	Sussman		
D366,598	S *	1/1996	Geddes	D7/553.1	
5,497,885	A	3/1996	Sussman		
5,551,593	A *	9/1996	Wiens	220/575	
D374,798	S	10/1996	Pippins, Jr.		
5,580,037	A	12/1996	Gore		
D379,135	S	5/1997	Vina		
D388,661	S *	1/1998	Vignau et al.	D7/549	
D392,156	S *	3/1998	Michael	D7/546	
D399,095	S	10/1998	Schmidt		
D406,727	S *	3/1999	Weatherby et al.	D7/553.1	
6,021,914	A *	2/2000	Schmidt	220/574	
6,029,843	A	2/2000	Kroscher et al.		
D423,290	S	4/2000	Green		
D426,110	S	6/2000	Schmidt		
D426,921	S *	6/2000	Renfrew	D28/73	
D430,457	S *	9/2000	Maniaci	D7/549	
D433,283	S	11/2000	Thomas		
D450,130	S *	11/2001	Goldstein	D24/227	
D453,891	S *	2/2002	Sussman	D7/553.1	
D455,316	S *	4/2002	Carpenter	D7/549	
D470,712	S	2/2003	Swinford et al.		
D473,757	S *	4/2003	Schwartz	D7/553.8	
D484,746	S *	1/2004	McMullin	D7/553.6	
6,814,235	B2	11/2004	Wang		
D505,833	S	6/2005	Ahearn		
D508,373	S *	8/2005	Corrieri	D7/553.6	
D545,523	S	6/2007	Goldberg et al.		
D547,126	S *	7/2007	Levine et al.	D7/553.5	
D547,127	S *	7/2007	Haughton	D7/555	
D547,597	S	7/2007	Levy et al.		
D560,099	S	1/2008	Hatcher		
D572,536	S *	7/2008	Cox	D7/553.1	
D575,988	S *	9/2008	McComas	D7/549	
D576,449	S	9/2008	Boudewijns		
D581,203	S	11/2008	Simon et al.		
D590,655	S	4/2009	Freeman		
D599,610	S	9/2009	Logan		
D604,099	S	11/2009	Mishan		
D608,150	S	1/2010	Lilly		
D611,306	S *	3/2010	Zack et al.	D7/551.1	
D620,761	S *	8/2010	Boudreau	D7/549	
D623,902	S	9/2010	Henderson et al.		
7,802,693	B2 *	9/2010	Kuhn	220/575	
D625,958	S *	10/2010	Deming	D7/553.6	
D625,959	S *	10/2010	Deming	D7/553.6	
D625,994	S *	10/2010	Krupa	D9/424	
D631,696	S *	2/2011	Lipfert et al.	D7/505	
D634,584	S	3/2011	Bergkvist		
D642,408	S	8/2011	Pirkl		
D653,083	S *	1/2012	Hatcher et al.	D7/553.5	
D653,084	S *	1/2012	Borghini	D7/553.8	
8,167,129	B2 *	5/2012	Hatcher	206/565	
D661,354	S *	6/2012	Karnis	D19/88	
D664,398	S *	7/2012	Zemel	D7/553.1	
D669,311	S *	10/2012	Hsu	D7/553.5	
D683,980	S *	6/2013	Johnson	D6/406.3	
D691,854	S *	10/2013	Dabney-Wiggs	D7/551.1	
D691,855	S *	10/2013	Dabney-Wiggs	D7/553.2	
2003/0205645	A1	11/2003	Kaposi		

* cited by examiner

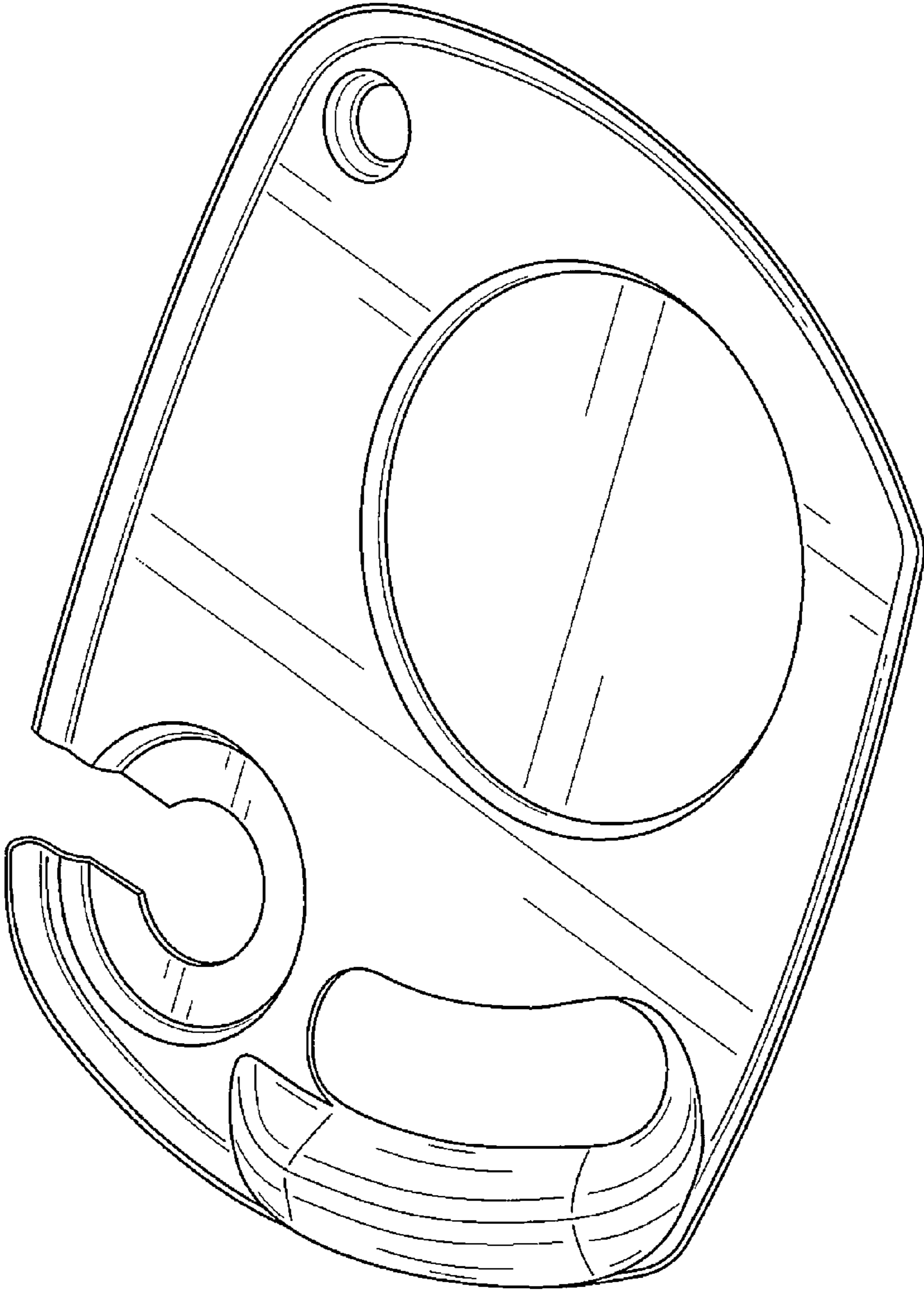


FIG. 1

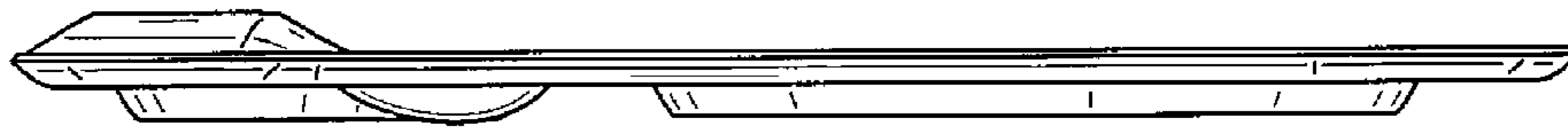


FIG. 2



FIG. 3

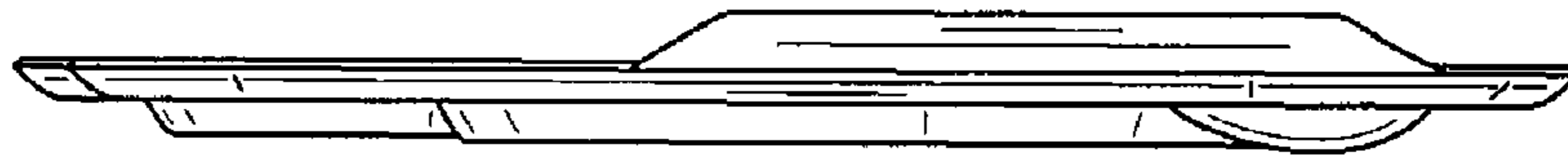


FIG. 4

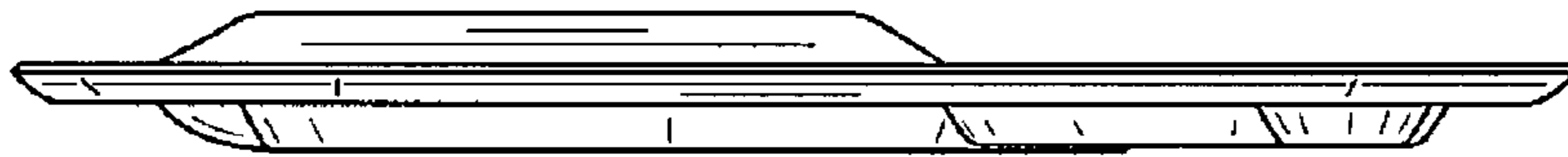


FIG. 5

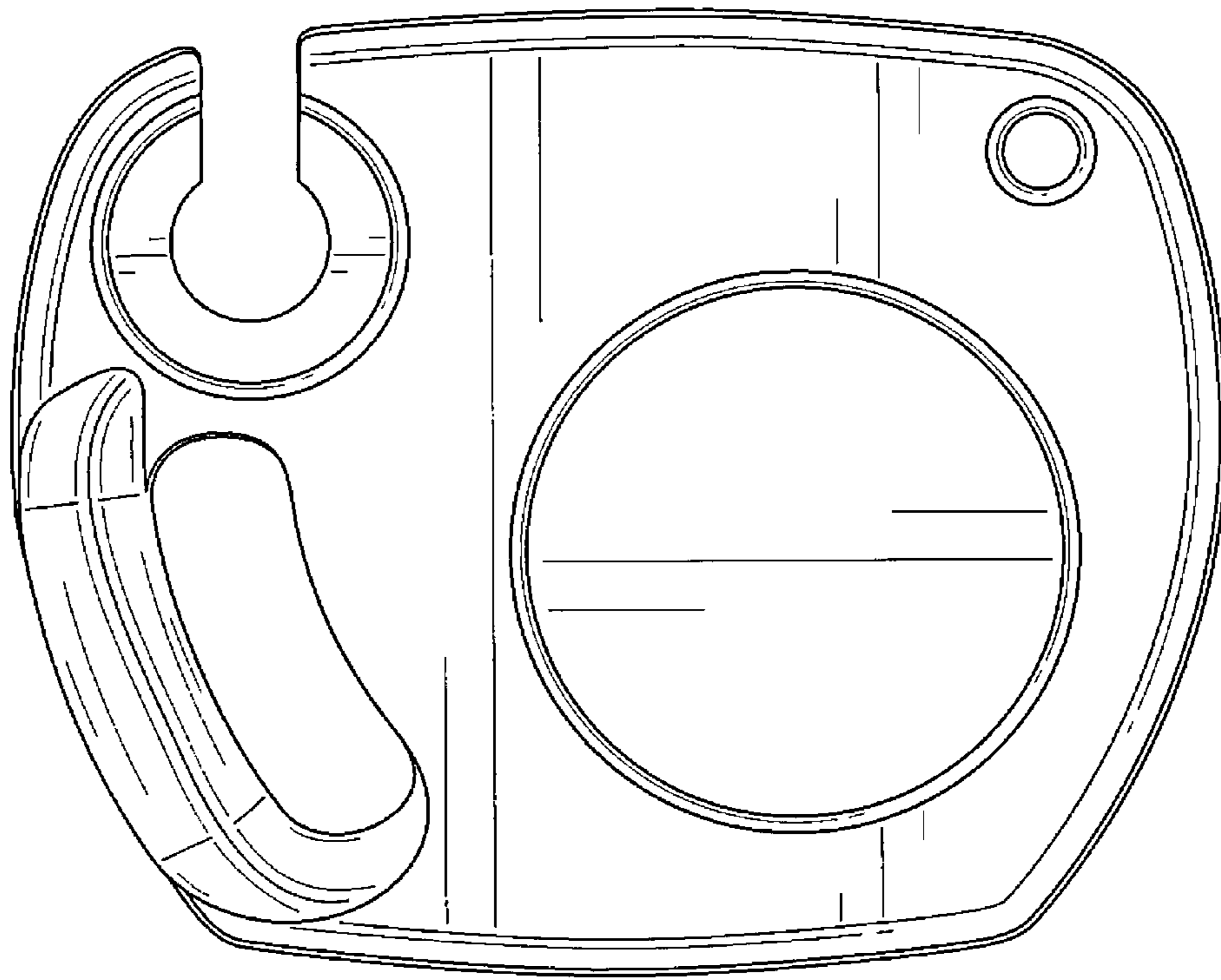


FIG. 6

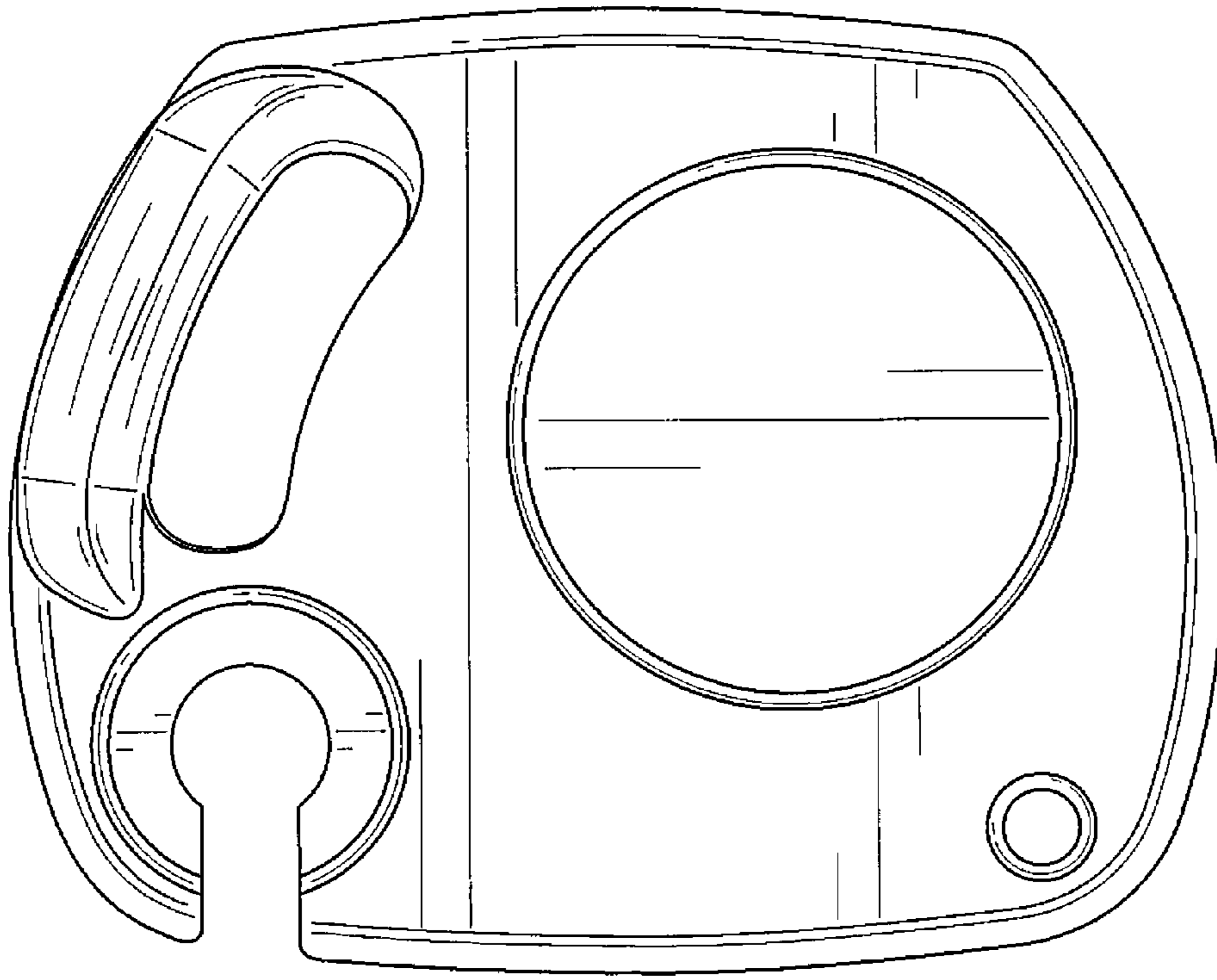


FIG. 7

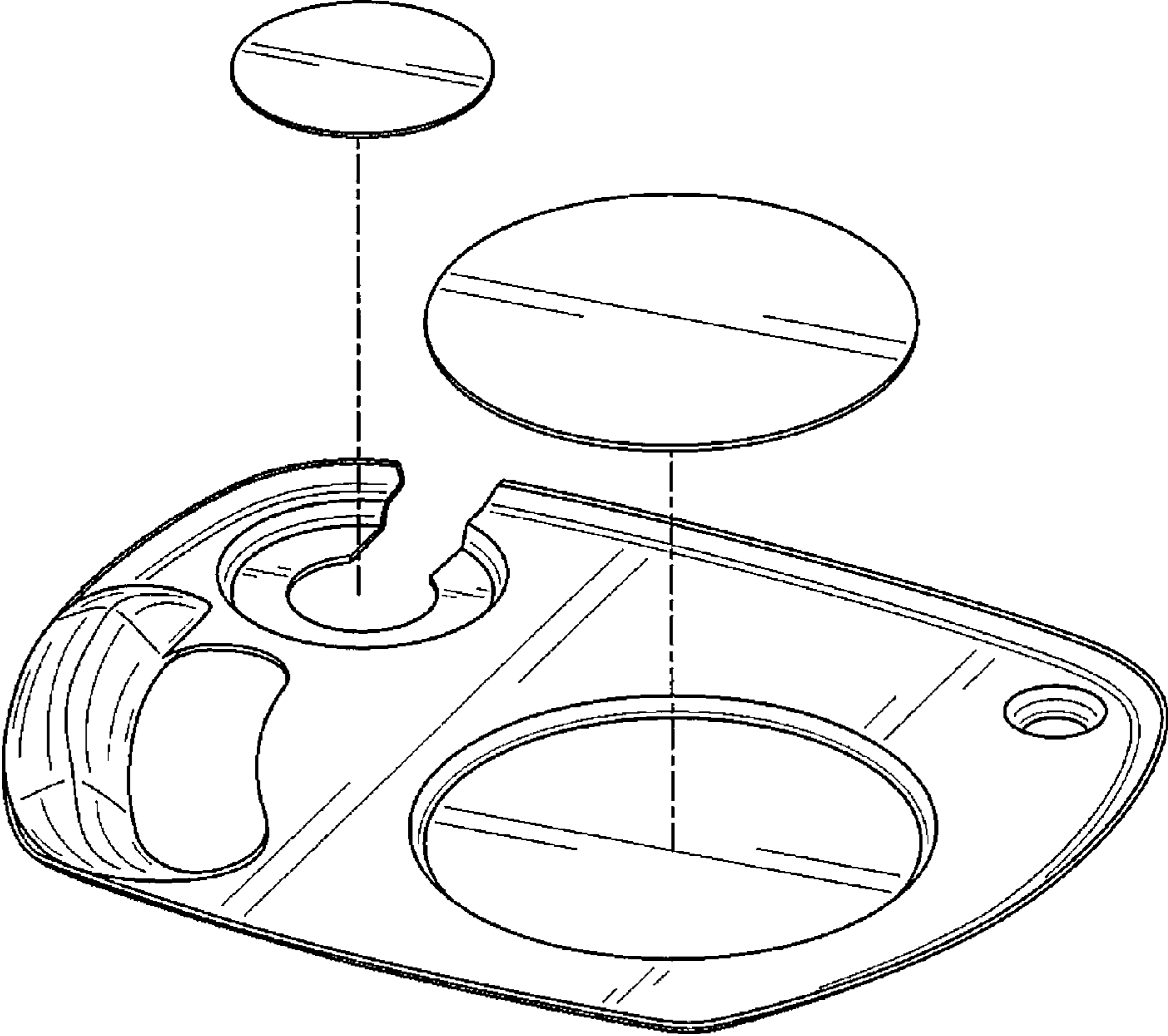


FIG. 8

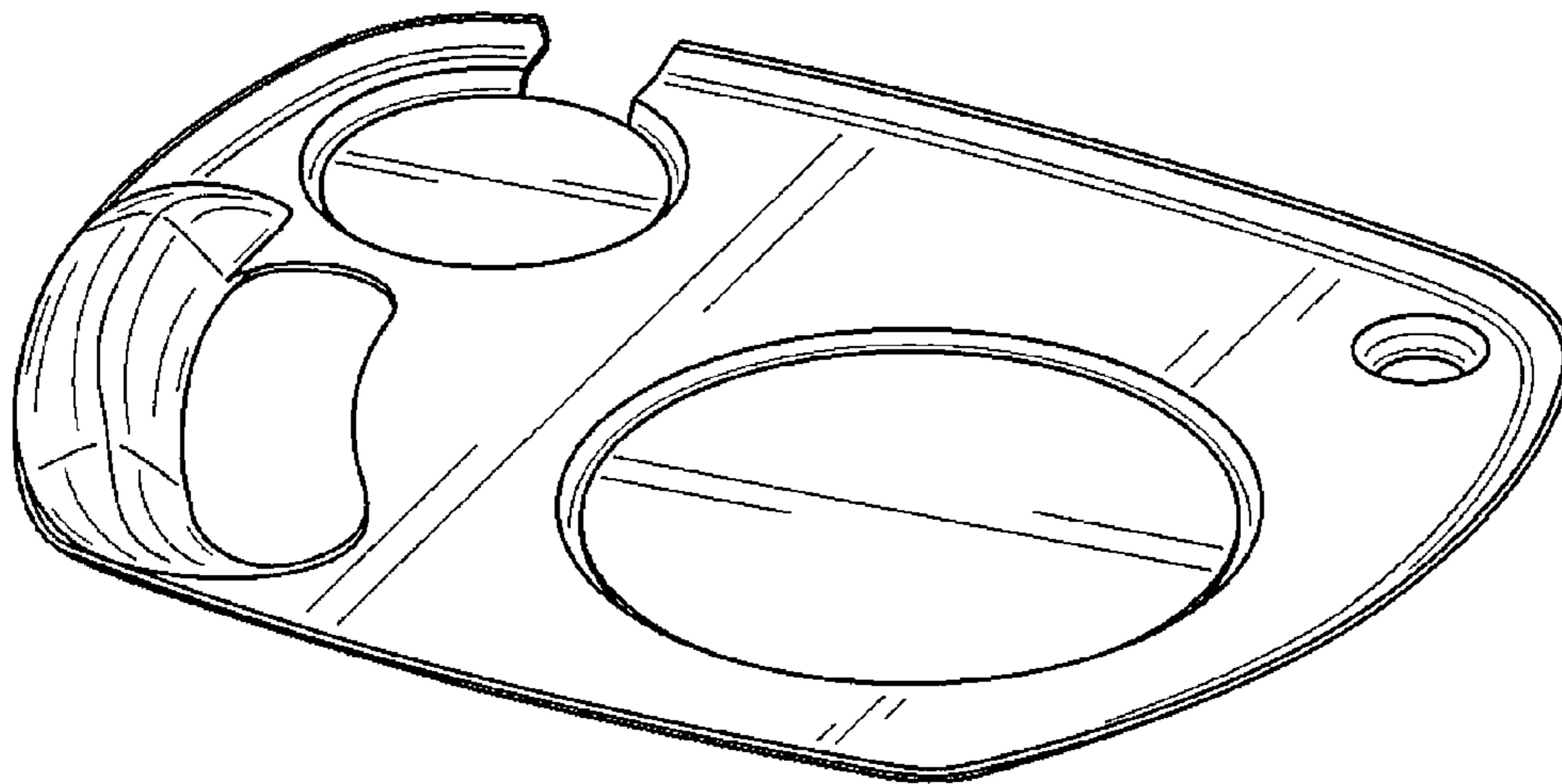


FIG. 9

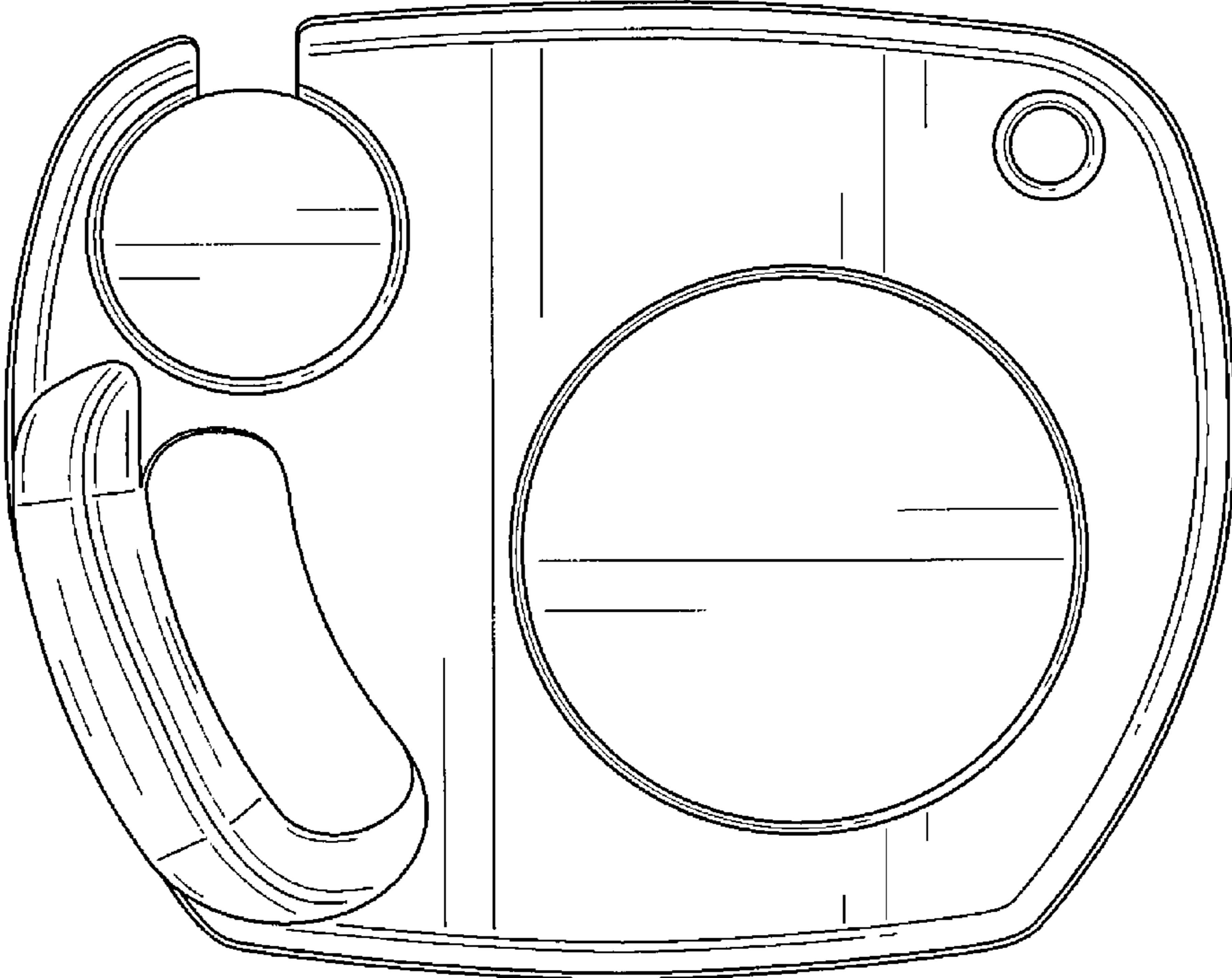


FIG. 10

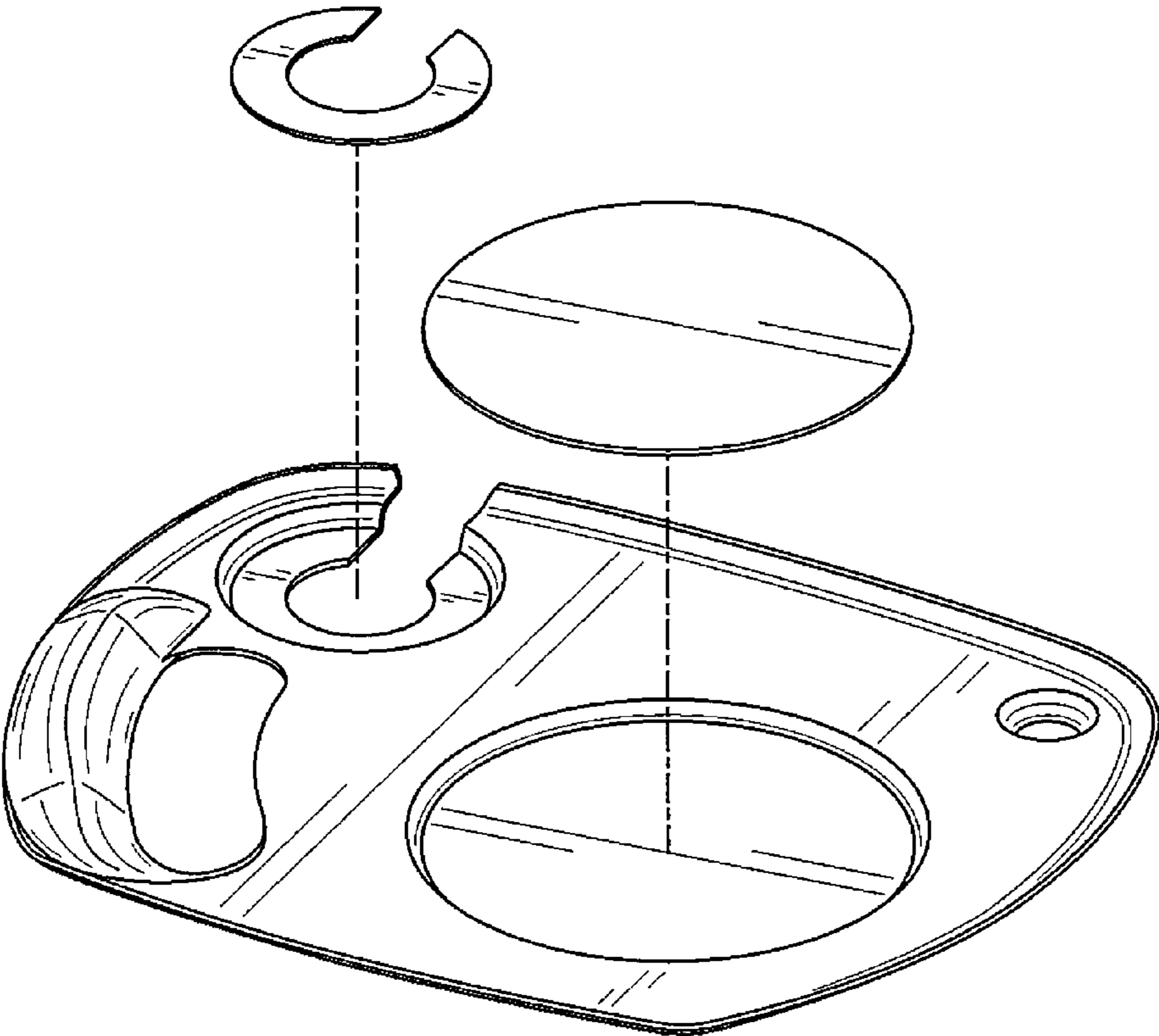


FIG. 11

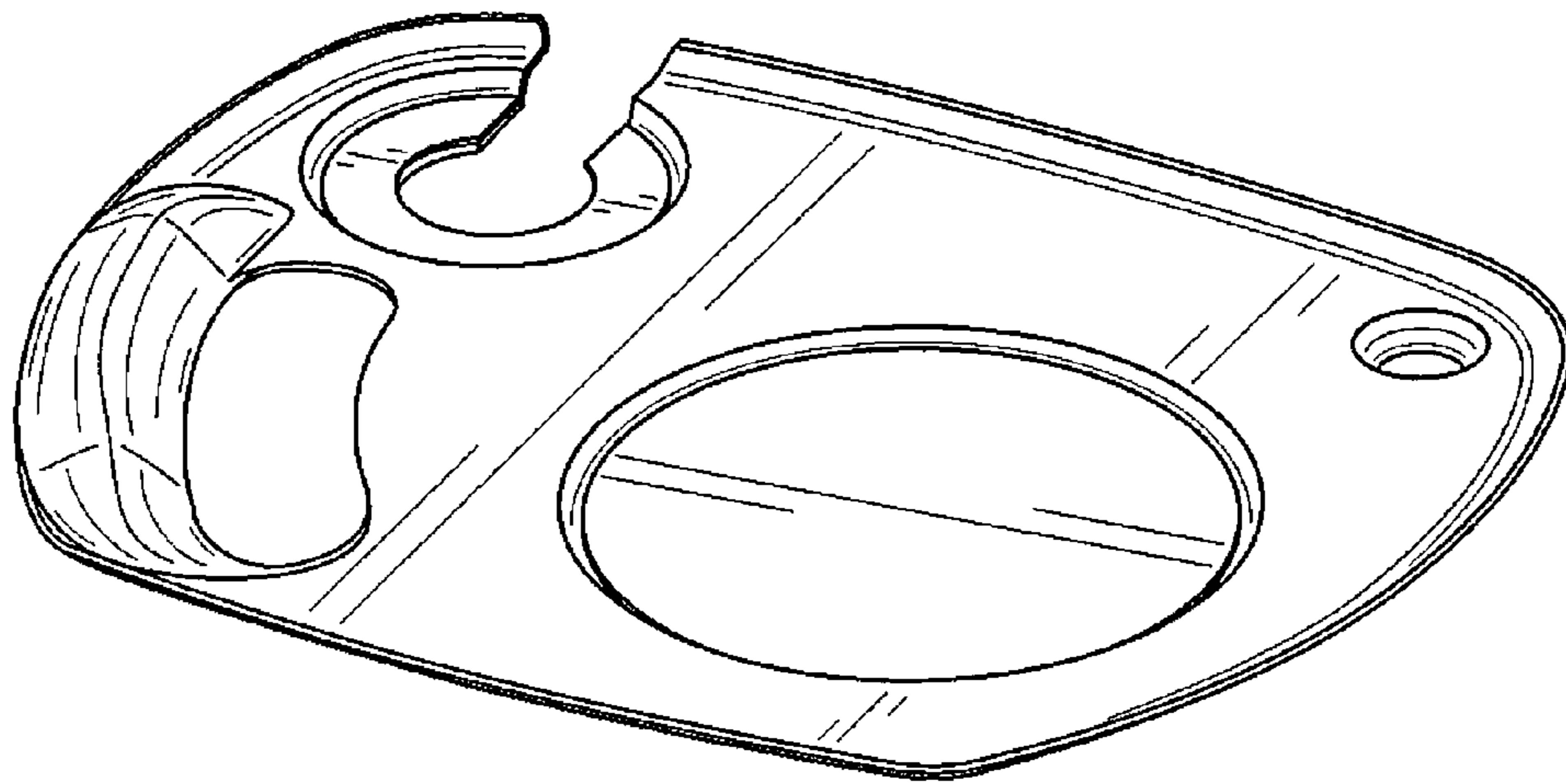


FIG. 12

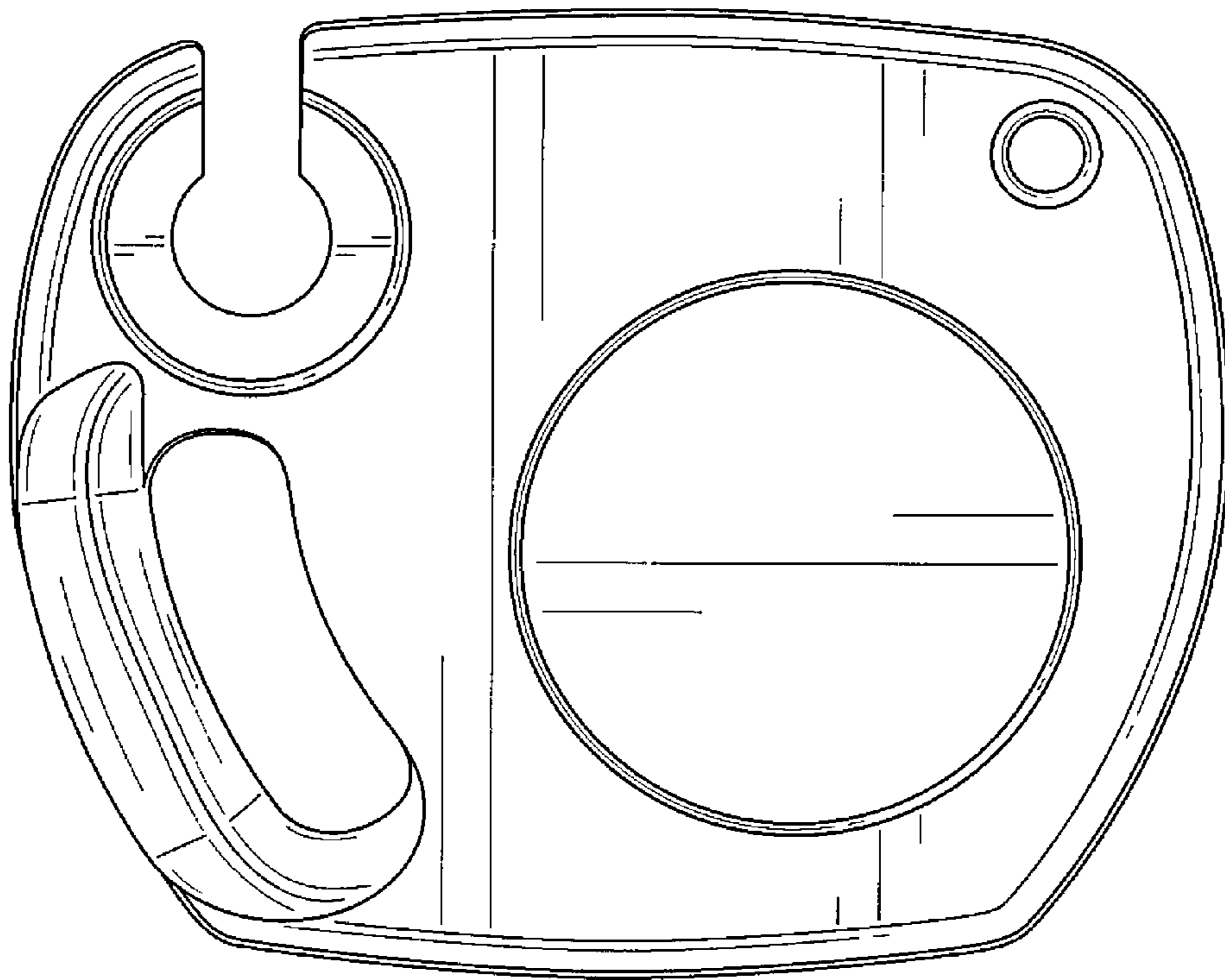


FIG. 13

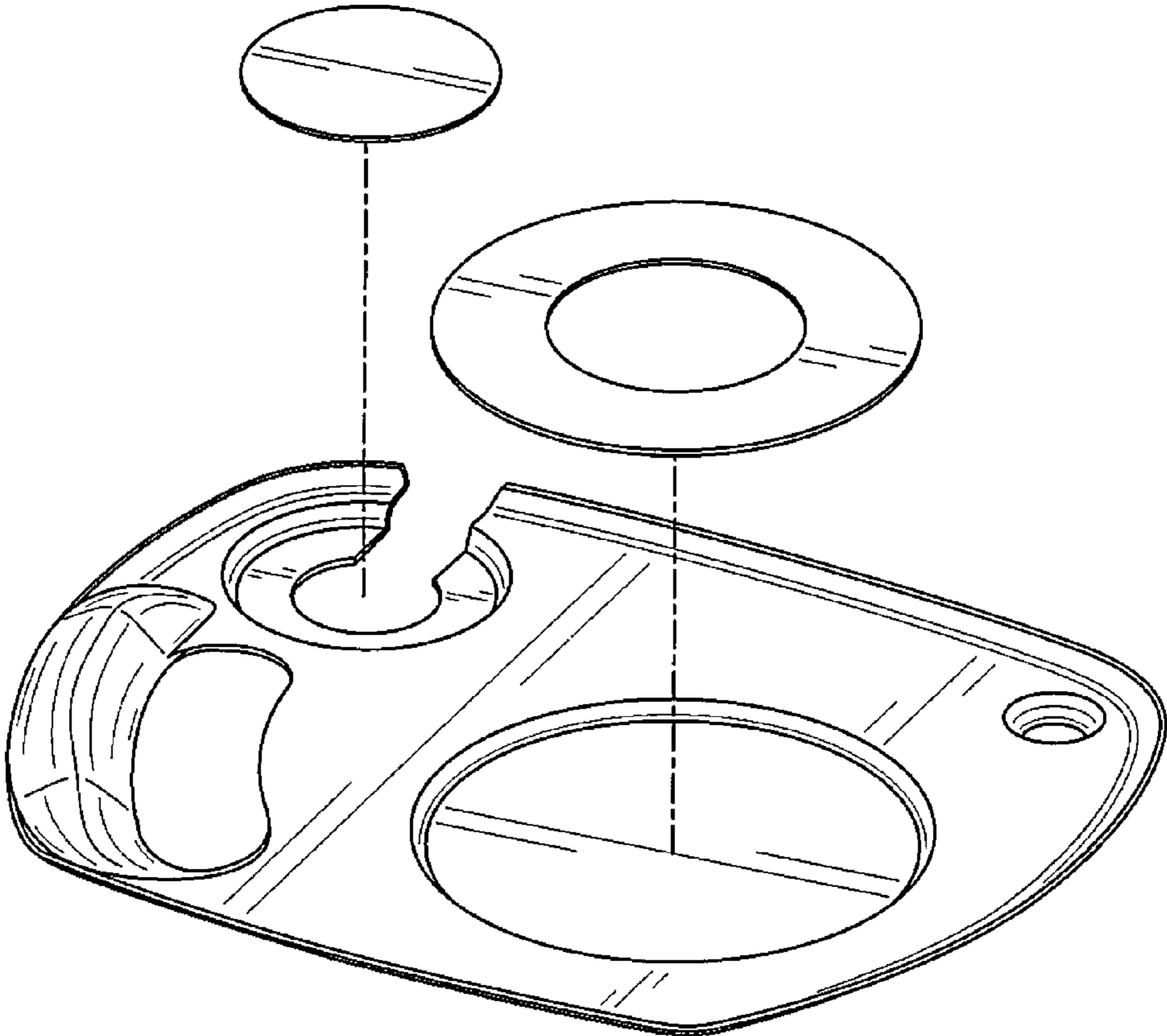


FIG. 14

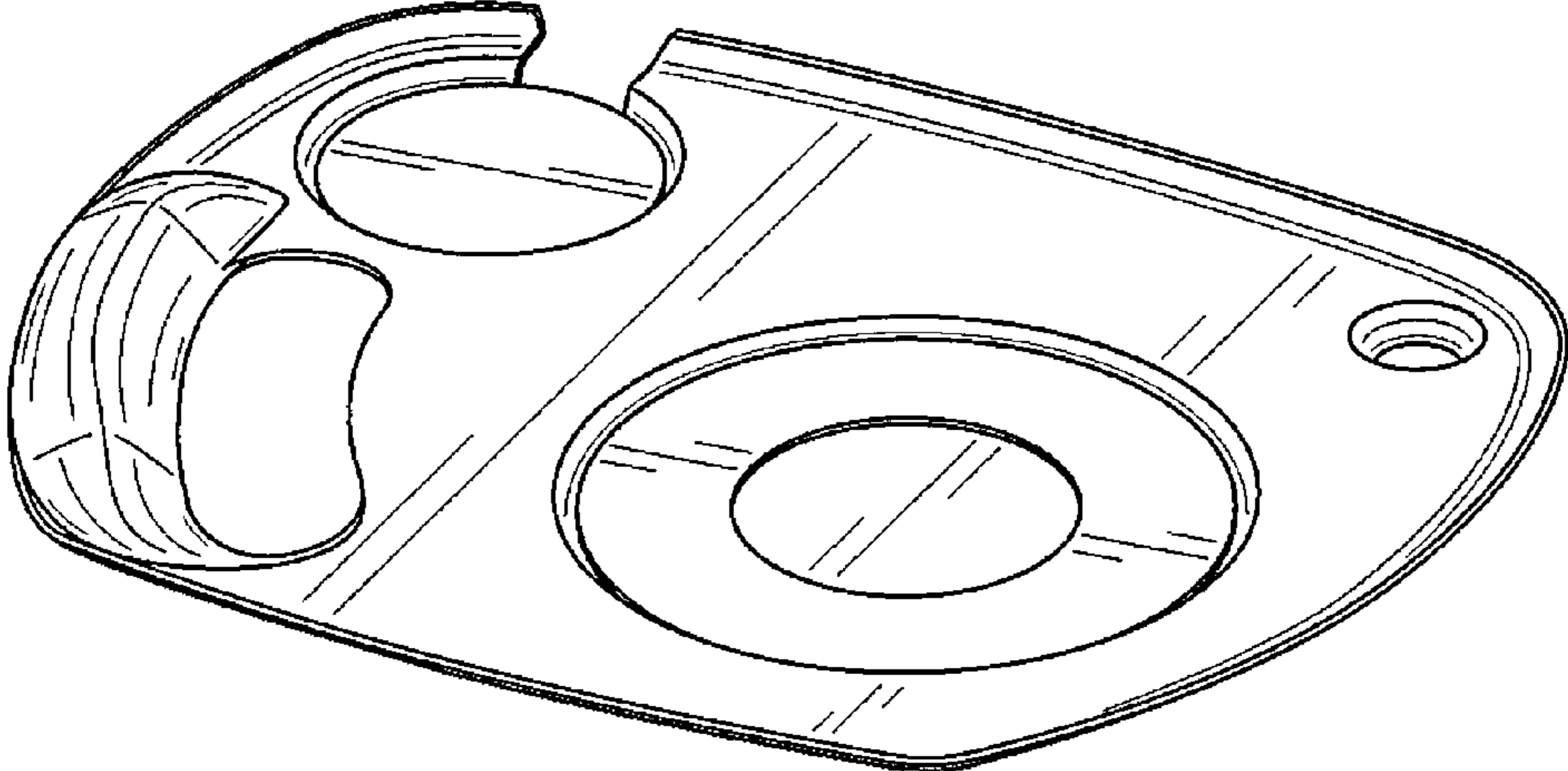


FIG. 15

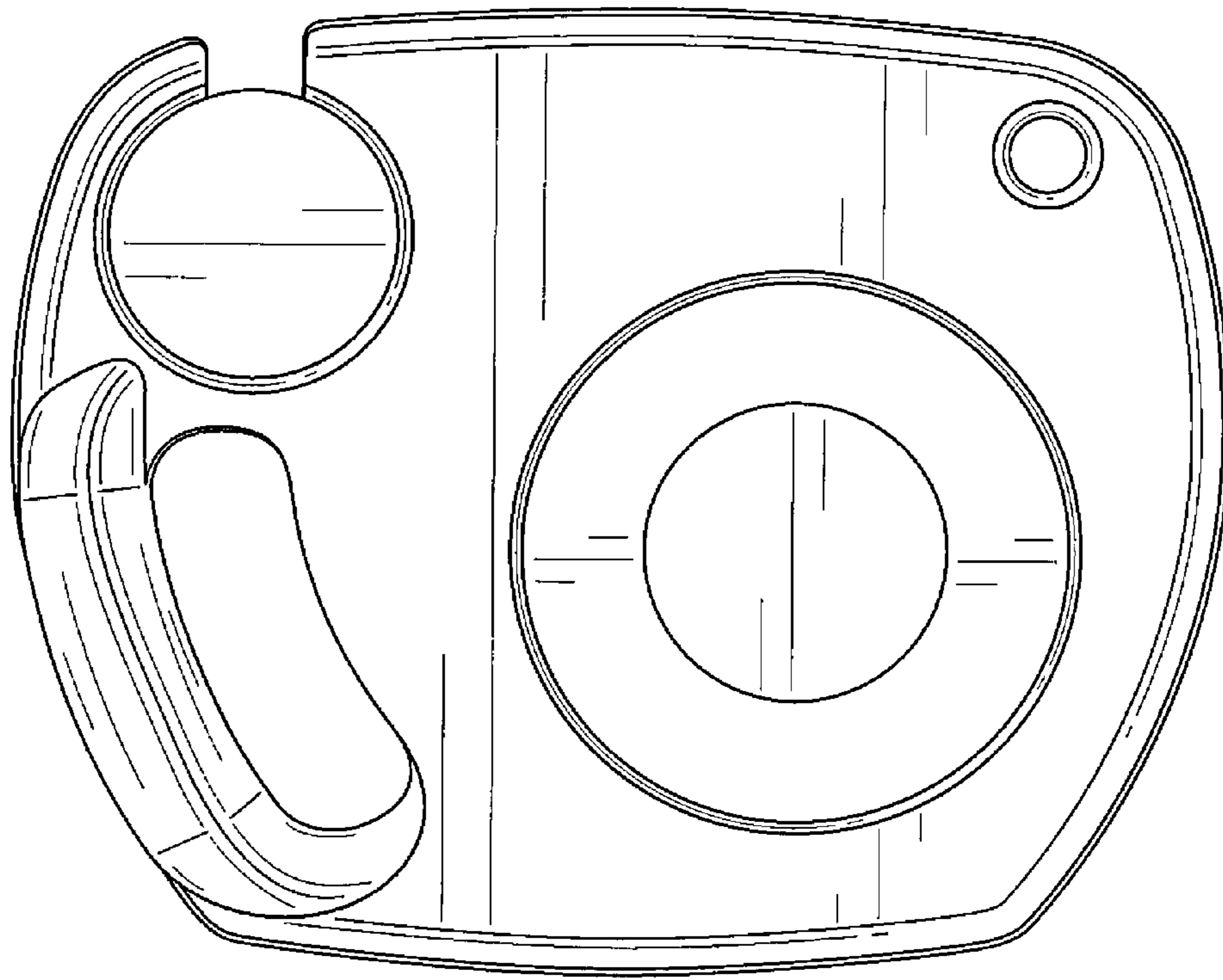


FIG. 16

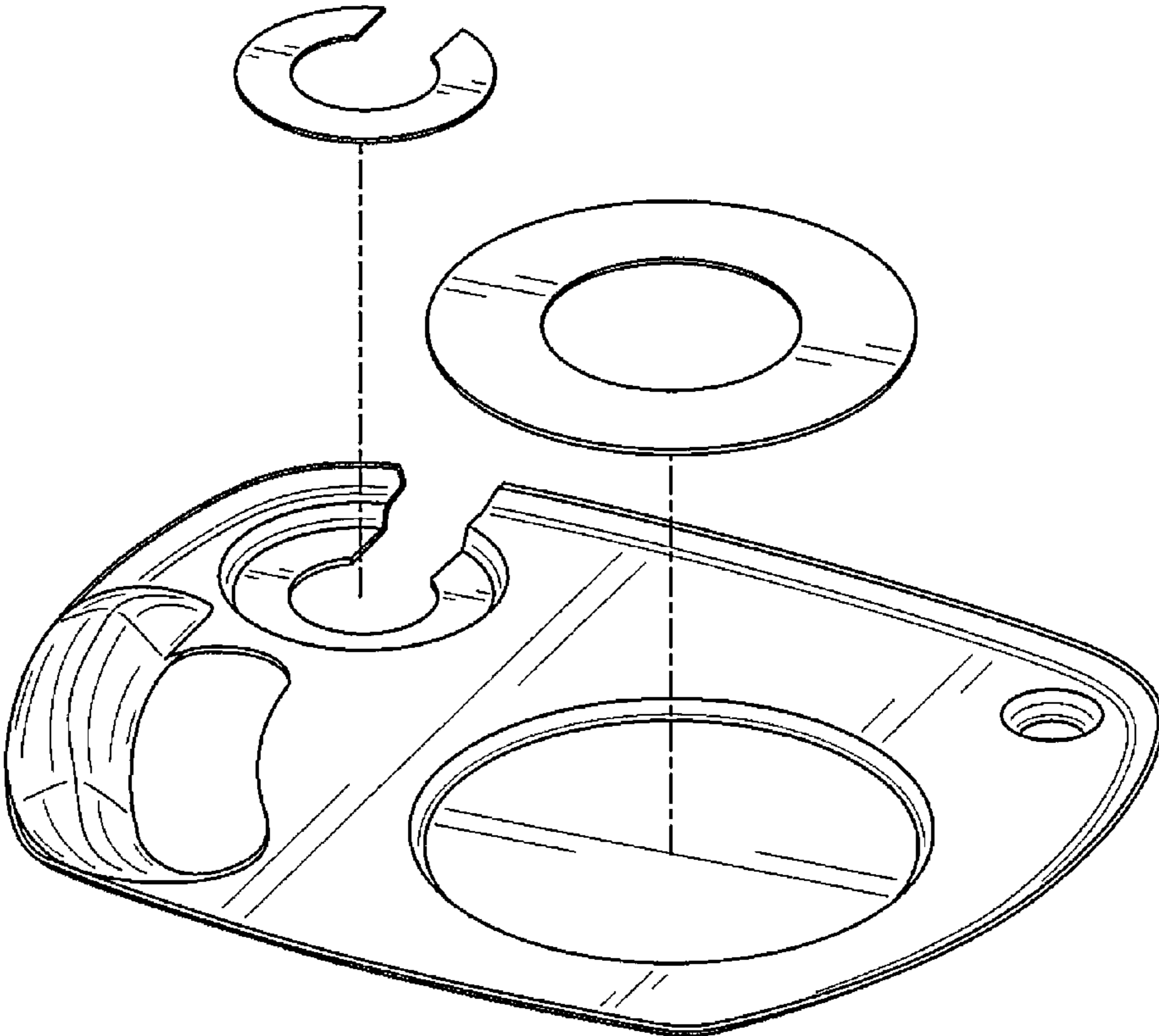


FIG. 17

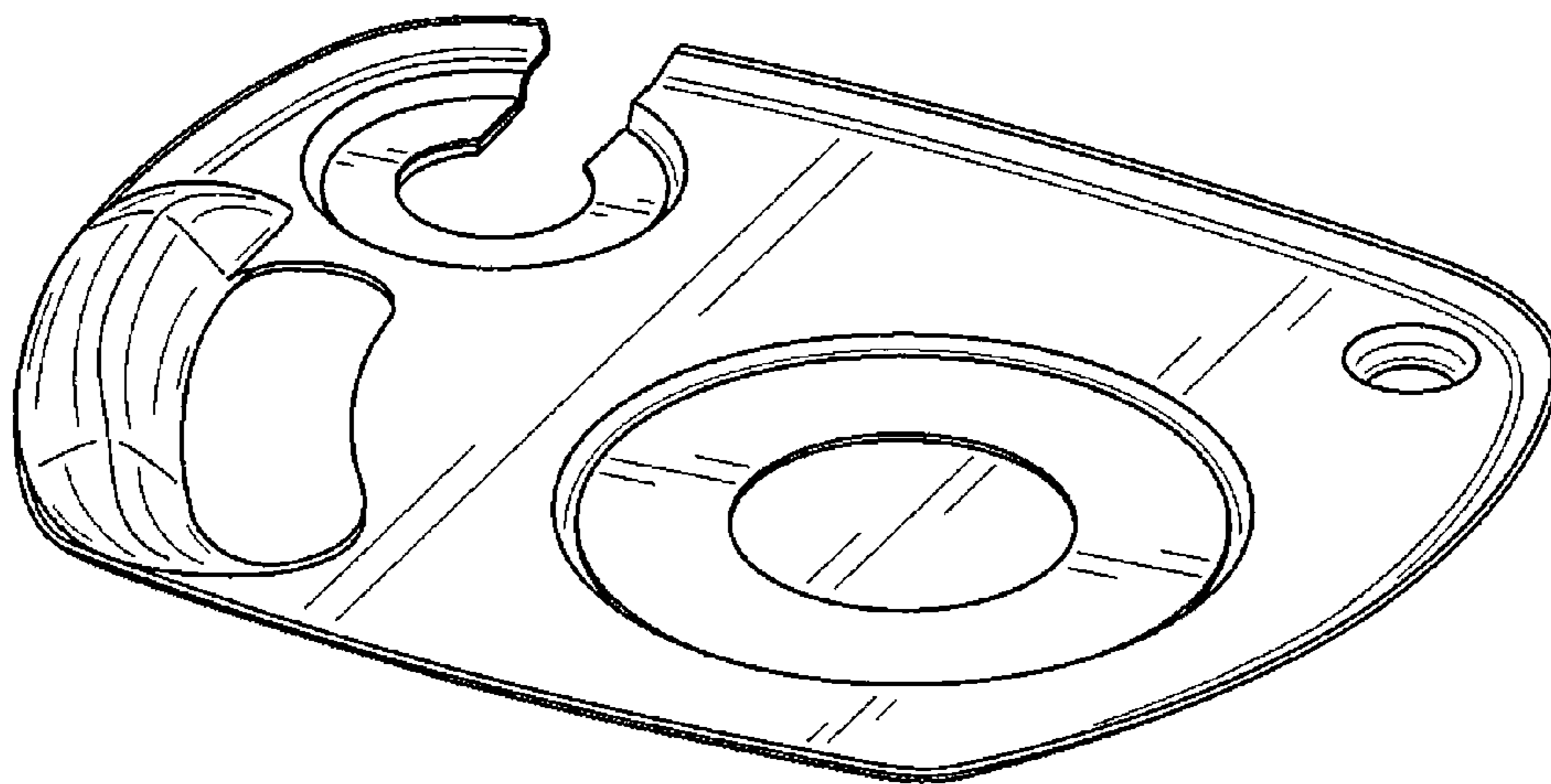


FIG. 18

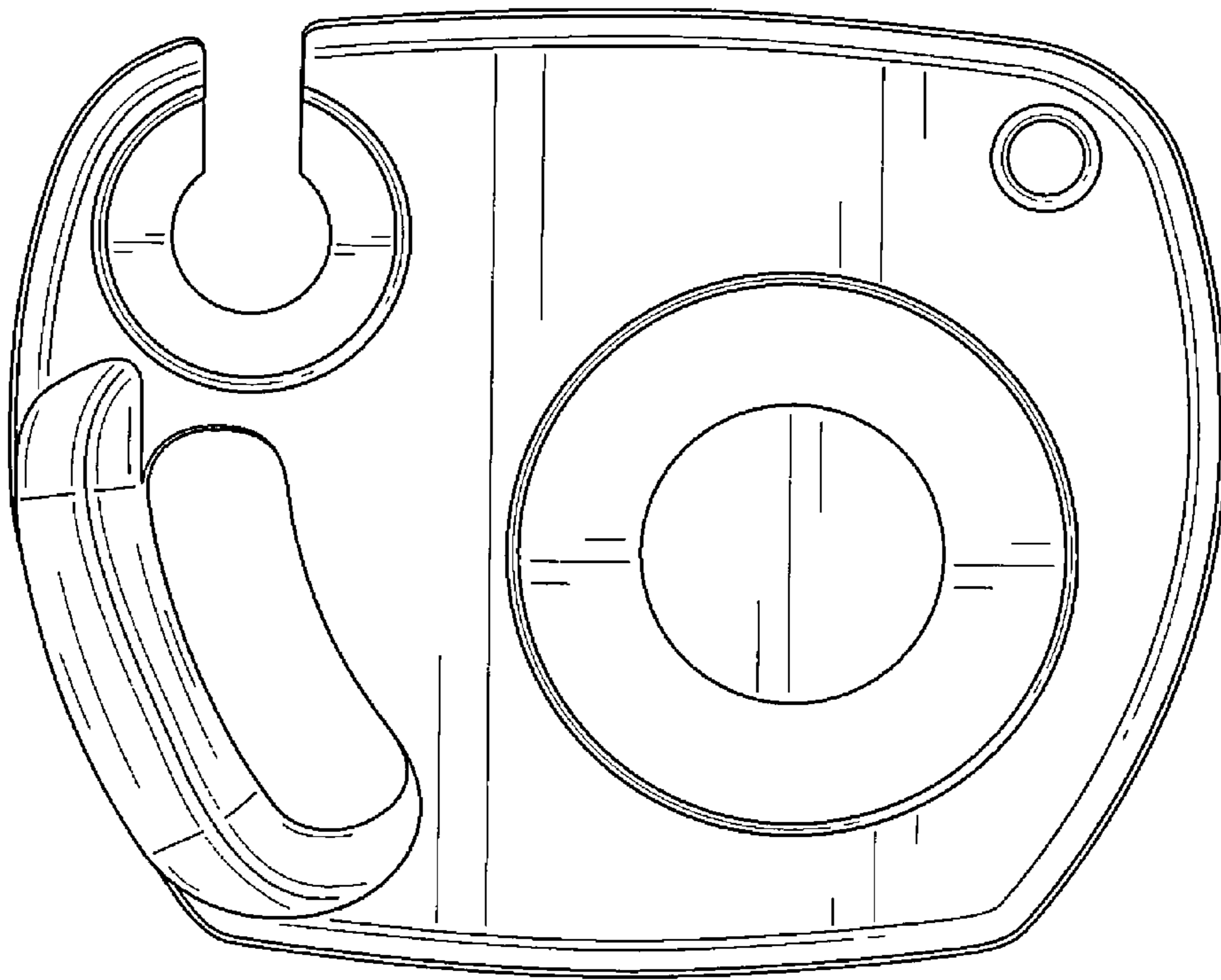


FIG. 19