



US00D712203S

(12) **United States Design Patent**  
**Lordi**

(10) **Patent No.:** **US D712,203 S**  
(45) **Date of Patent:** **\*\* Sep. 2, 2014**

(54) **REVERSIBLE BEVERAGE CONTAINER**

FOREIGN PATENT DOCUMENTS

(71) Applicant: **Brian Lordi**, Alva, FL (US)

CN 301888098 \* 8/2011  
KR 300405988.0000 \* 5/2005

(72) Inventor: **Brian Lordi**, Alva, FL (US)

OTHER PUBLICATIONS

(\*\*) Term: **14 Years**

<http://web.archive.org/web/20111016091258/http://highwave.bigcartel.com/product/beer-shot-light-set-of-2> Available Oct. 16, 2011.\*

(21) Appl. No.: **29/455,937**

<http://gearhungry.com/2012/07/beershot-glass.html#!RT3eT> Available Jul. 24, 2012.\*

(22) Filed: **May 28, 2013**

<http://web.archive.org/web/20101208033716/http://chugbuzz.com/beer-shot-glass-combination/> Available Dec. 8, 2010.\*

(51) **LOC (10) Cl.** ..... **07-01**

<http://web.archive.org/web/20120819012735/http://coolmaterial.com/home/beer-shot-glass/> Available Aug. 19, 2012.\*

(52) **U.S. Cl.**

USPC ..... **D7/523**

(58) **Field of Classification Search**

\* cited by examiner

USPC ..... D7/396.2, 500, 509, 510, 513, 523, 524,  
D7/526-528, 530-532, 540, 565, 584;  
D9/500, 502, 516, 519, 549, 555, 776,  
D9/778; D30/130; 73/427; 215/6, 10, 228,  
215/387; 220/495.04, 507, 560, 592.16,  
220/592.17, 703; 229/400; 383/110

See application file for complete search history.

*Primary Examiner* — Susan Bennett Hattan

*Assistant Examiner* — Leanne Was

(74) *Attorney, Agent, or Firm* — Dority & Manning, P.A.

(57) **CLAIM**

A reversible beverage container, as shown and described.

**DESCRIPTION**

(56) **References Cited**

U.S. PATENT DOCUMENTS

254,947	A	*	3/1882	Fisher	.....	126/376.1
D363,854	S		11/1995	Katz		
D400,398	S	*	11/1998	McNaughton	.....	D7/513
D555,979	S	*	11/2007	Mansfield et al.	.....	D7/523
D556,511	S	*	12/2007	Mansfield et al.	.....	D7/523
D561,534	S	*	2/2008	Marks	.....	D7/523
D572,533	S	*	7/2008	Mansfield et al.	.....	D7/513
D580,228	S	*	11/2008	Hayden	.....	D7/513
D596,461	S	*	7/2009	Mansfield et al.	.....	D7/513
D631,294	S	*	1/2011	Ross	.....	D7/523
8,387,816	B2		3/2013	Fallas		
D684,011	S	*	6/2013	Fallas	.....	D7/513
2007/0267424	A1	*	11/2007	Marks	.....	220/703
2009/0065377	A1	*	3/2009	Olomi et al.	.....	206/217
2011/0095034	A1	*	4/2011	Skala	.....	220/604
2012/0223082	A1	*	9/2012	Fallas	.....	220/503
2013/0213971	A1		8/2013	Fallas		

FIG. 1 is a perspective view of a reversible beverage container;

FIG. 2 is a sectional view of the reversible beverage container of FIG. 1;

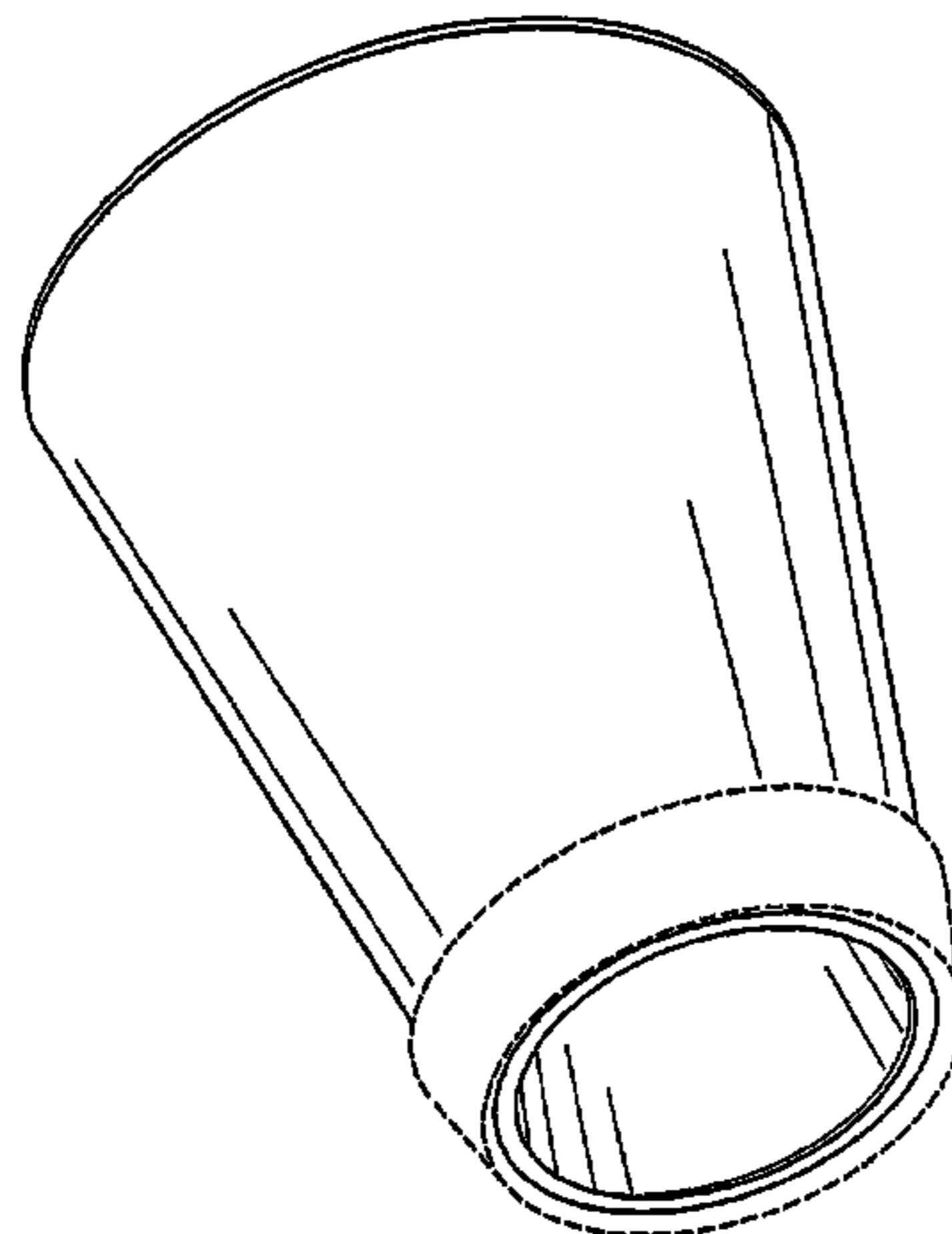
FIG. 3 is a front view of the reversible beverage container of FIG. 1;

FIG. 4 is a top view of the reversible beverage container of FIG. 1; and,

FIG. 5 is a bottom view of the reversible beverage container of FIG. 1.

The left, right and back views of the reversible beverage container according to the present invention are duplicative of the front view, and thus are omitted from the Specification. The broken lines illustrate portions of the design that form no part of the claim.

**1 Claim, 4 Drawing Sheets**



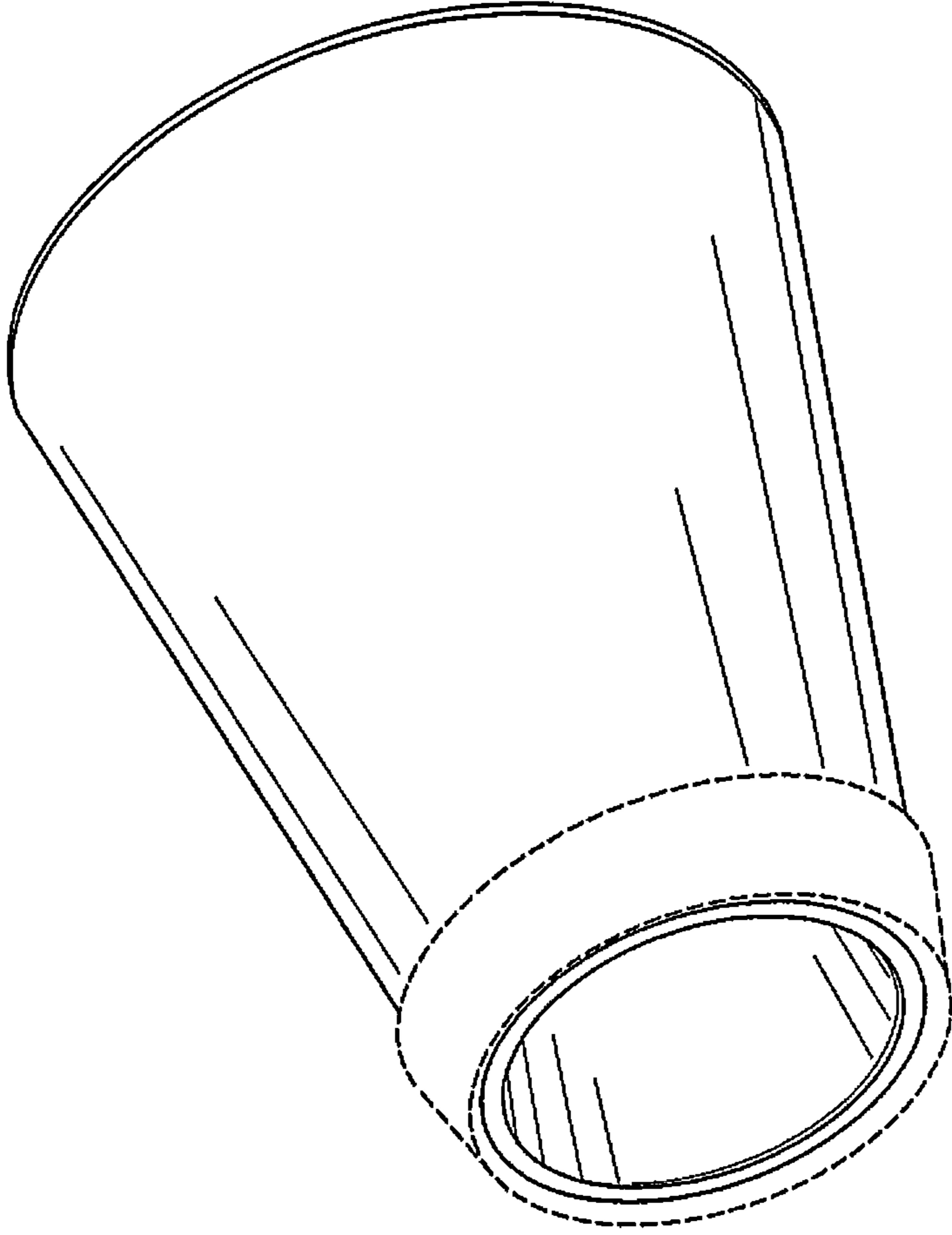


FIG. 1

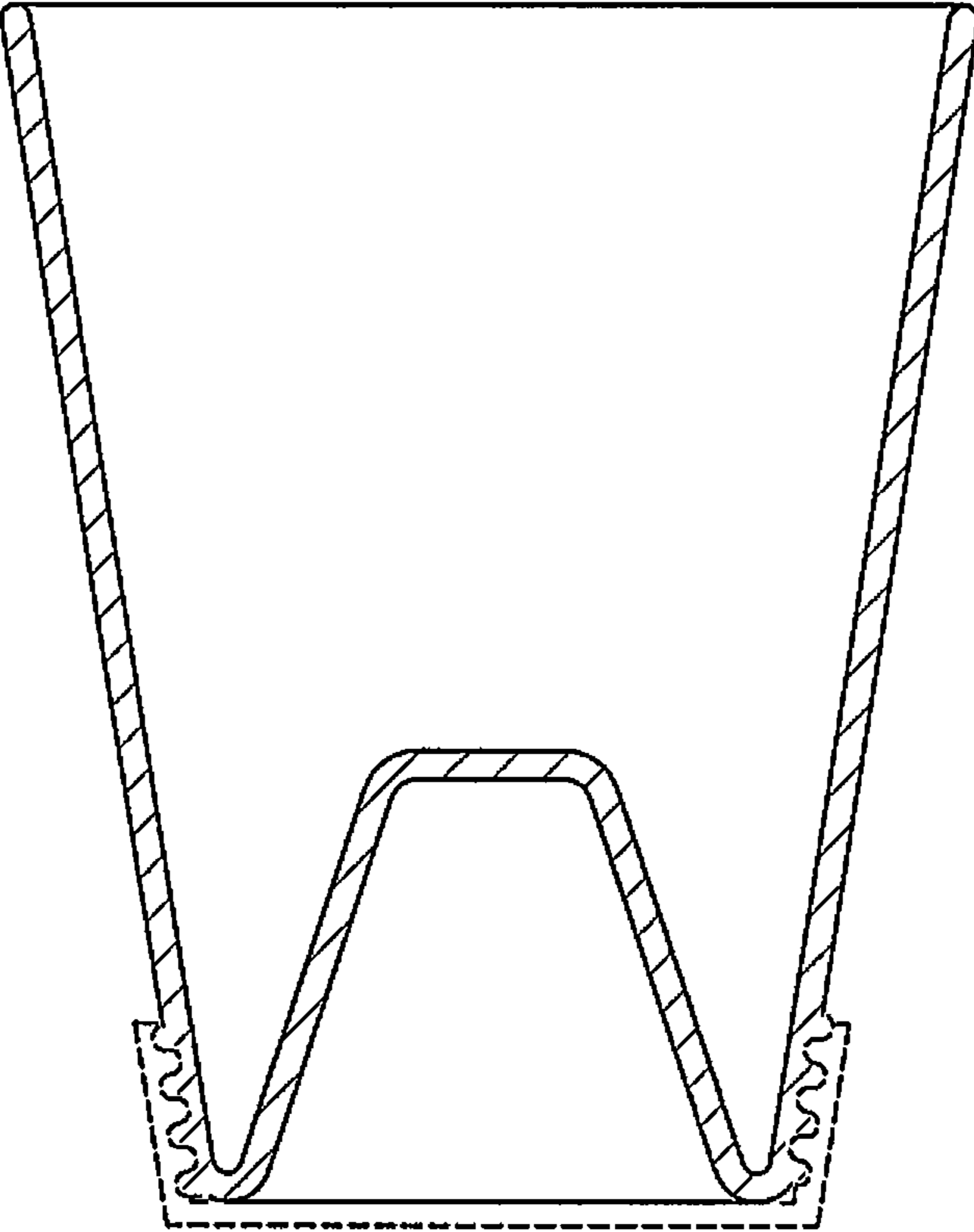


FIG. 2

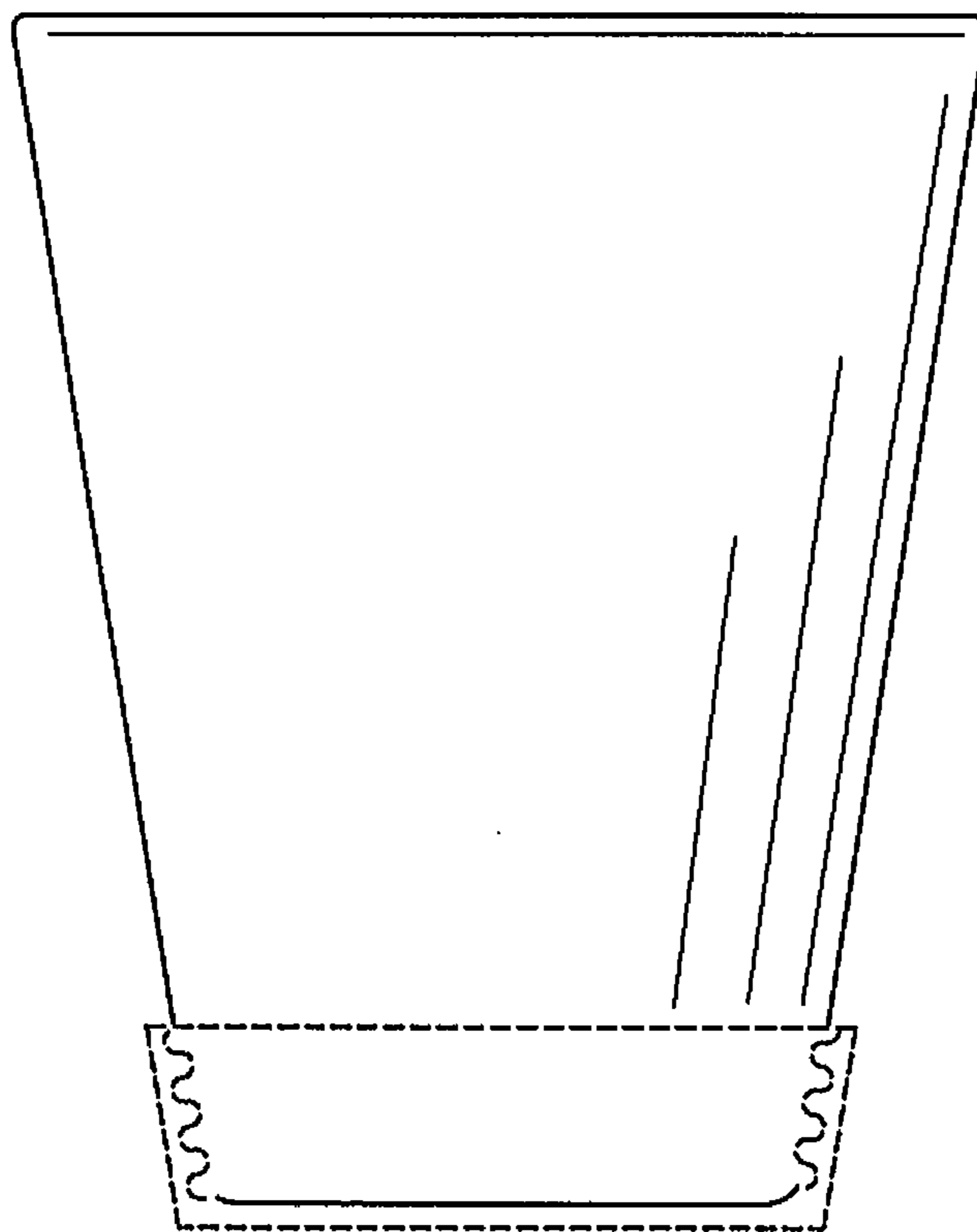


FIG. 3

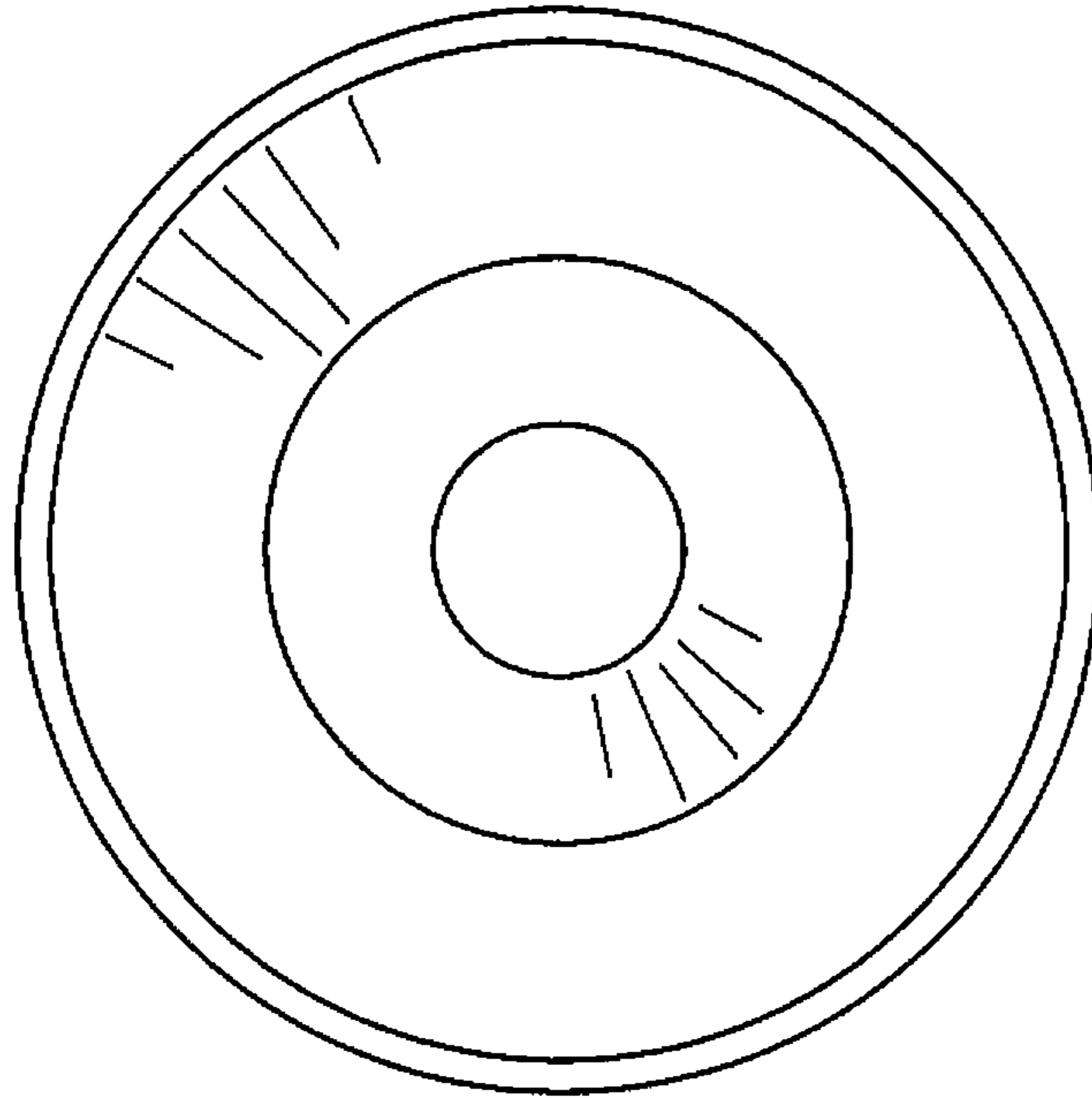


FIG. 4

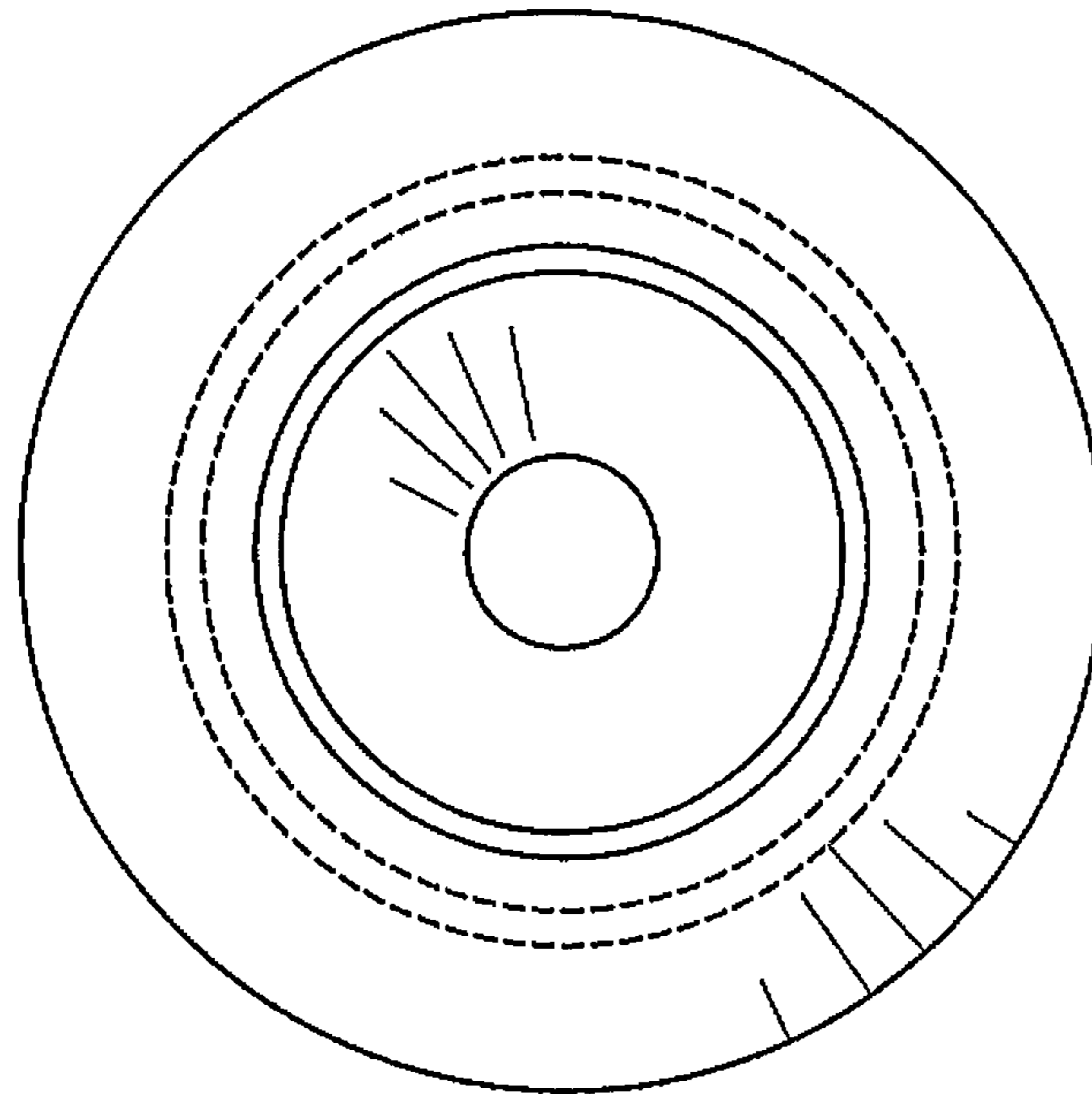


FIG. 5