



US00D712201S

(12) **United States Design Patent**  
**Chung**

(10) **Patent No.:** **US D712,201 S**

(45) **Date of Patent:** **\*\* Sep. 2, 2014**

(54) **BARBECUE GRILL COVER**

(71) Applicant: **Kiosky Chung**, Taichung (TW)

(72) Inventor: **Kiosky Chung**, Taichung (TW)

(\*\*) Term: **14 Years**

(21) Appl. No.: **29/461,823**

(22) Filed: **Jul. 28, 2013**

(51) **LOC (10) Cl.** ..... **07-02**

(52) **U.S. Cl.**  
USPC ..... **D7/402**

(58) **Field of Classification Search**  
USPC ..... D7/332, 334-337, 402-406; 126/25 R,  
126/25 A, 25 AA, 9 R, 38, 41 R, 40, 50, 276;  
99/449

See application file for complete search history.

(56) **References Cited**

**U.S. PATENT DOCUMENTS**

D415,925 S \* 11/1999 Pai ..... D7/337  
6,557,546 B1 \* 5/2003 Gibbons ..... 126/41 R  
D478,770 S \* 8/2003 Pai ..... D7/332

D480,905 S \* 10/2003 Pai ..... D7/334  
D677,109 S \* 3/2013 Chung ..... D7/337  
D677,110 S \* 3/2013 Chung ..... D7/337

\* cited by examiner

*Primary Examiner* — Ruth McInroy

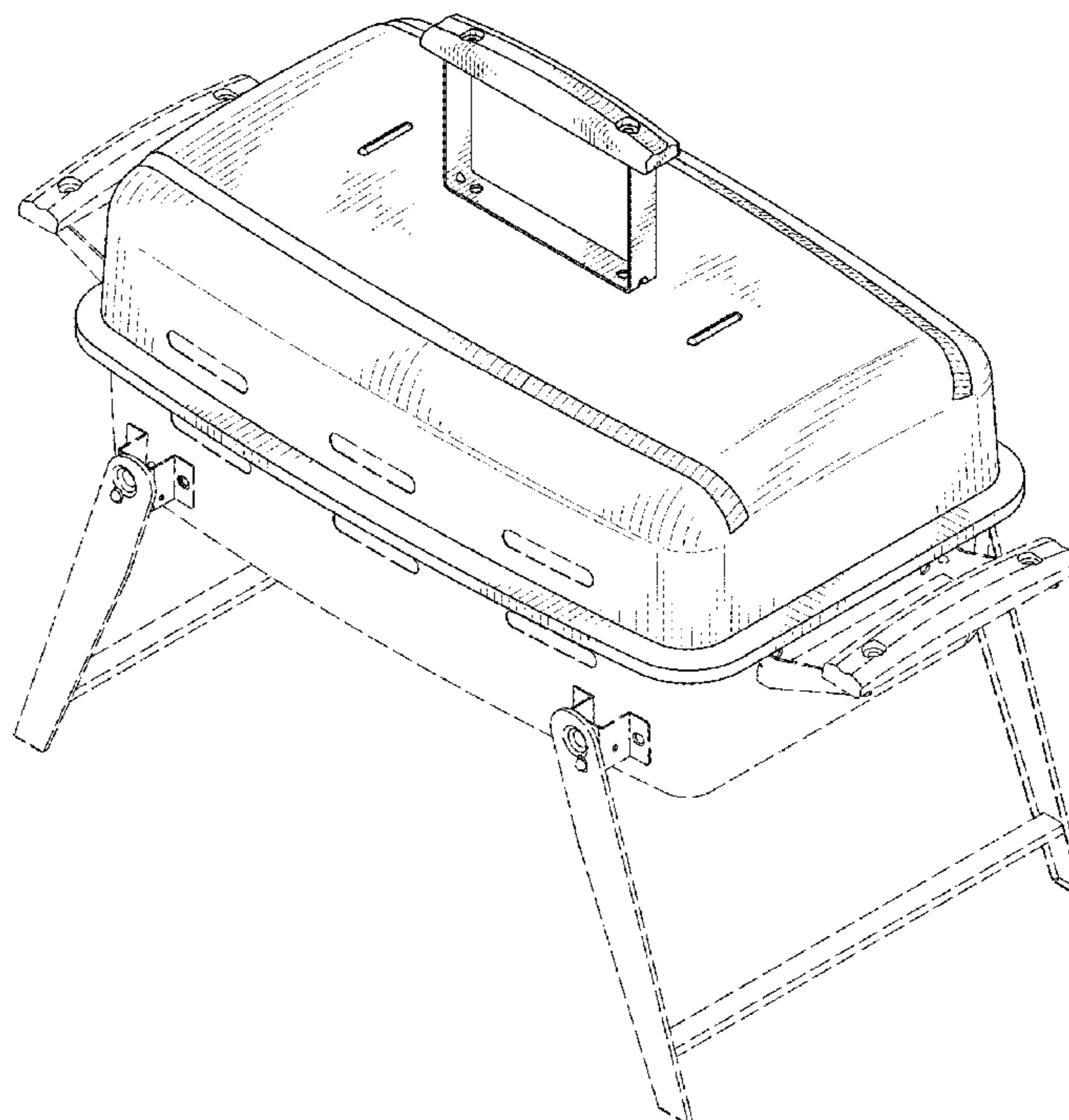
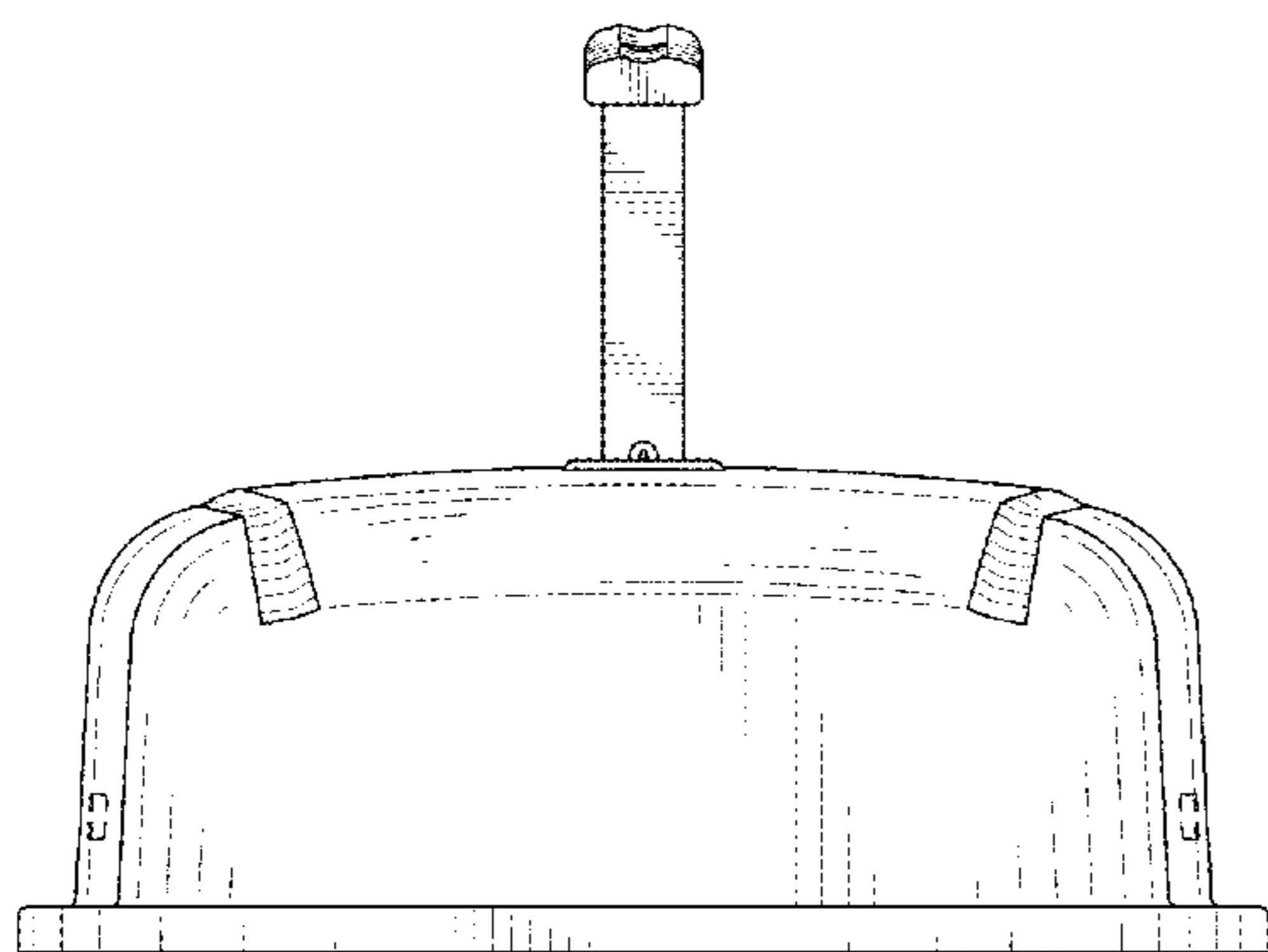
(57) **CLAIM**

I claim the ornamental design for a barbecue grill cover, as shown and described.

**DESCRIPTION**

FIG. 1 is a perspective view of a barbecue grill cover, showing my new design;  
FIG. 2 is a front elevational view thereof;  
FIG. 3 is a rear elevational view thereof;  
FIG. 4 is a left side elevational view thereof;  
FIG. 5 is a right side elevational view thereof;  
FIG. 6 is a top plan view thereof; and  
FIG. 7 is a bottom plan view thereof; and  
FIG. 8 is another perspective view of a barbecue grill cover. The details shown in broken lines form no part of the claimed design.

**1 Claim, 8 Drawing Sheets**



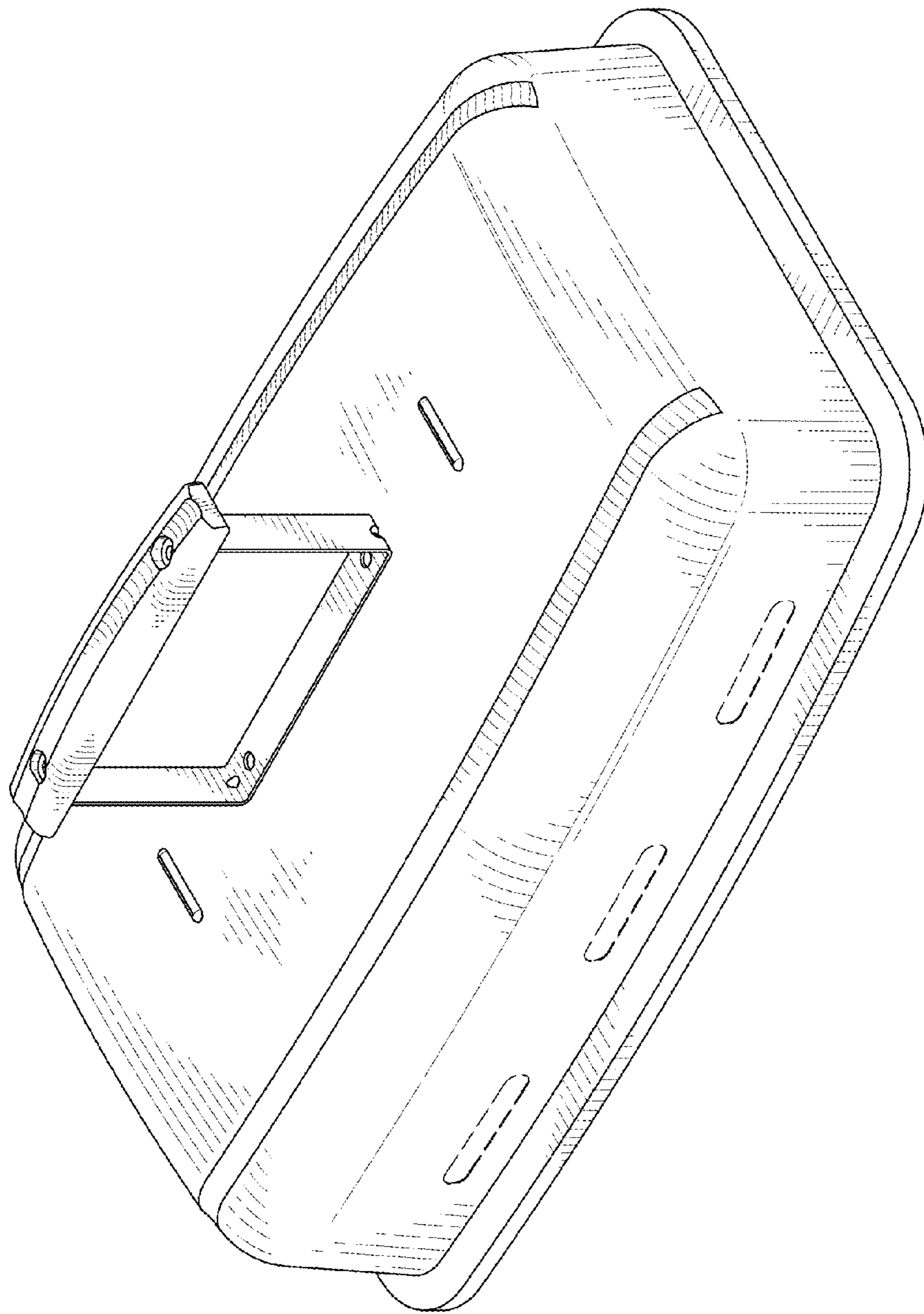


FIG. 1

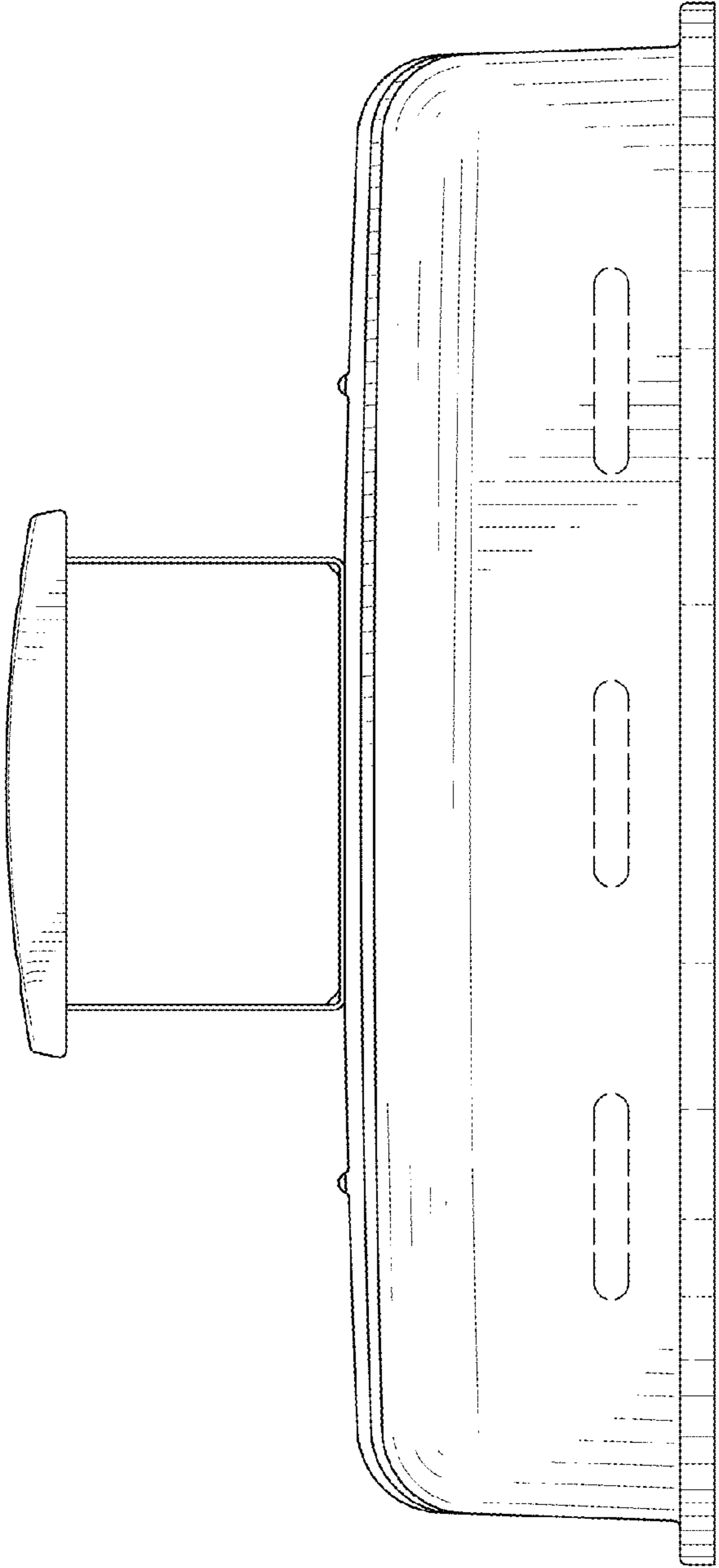


FIG. 2

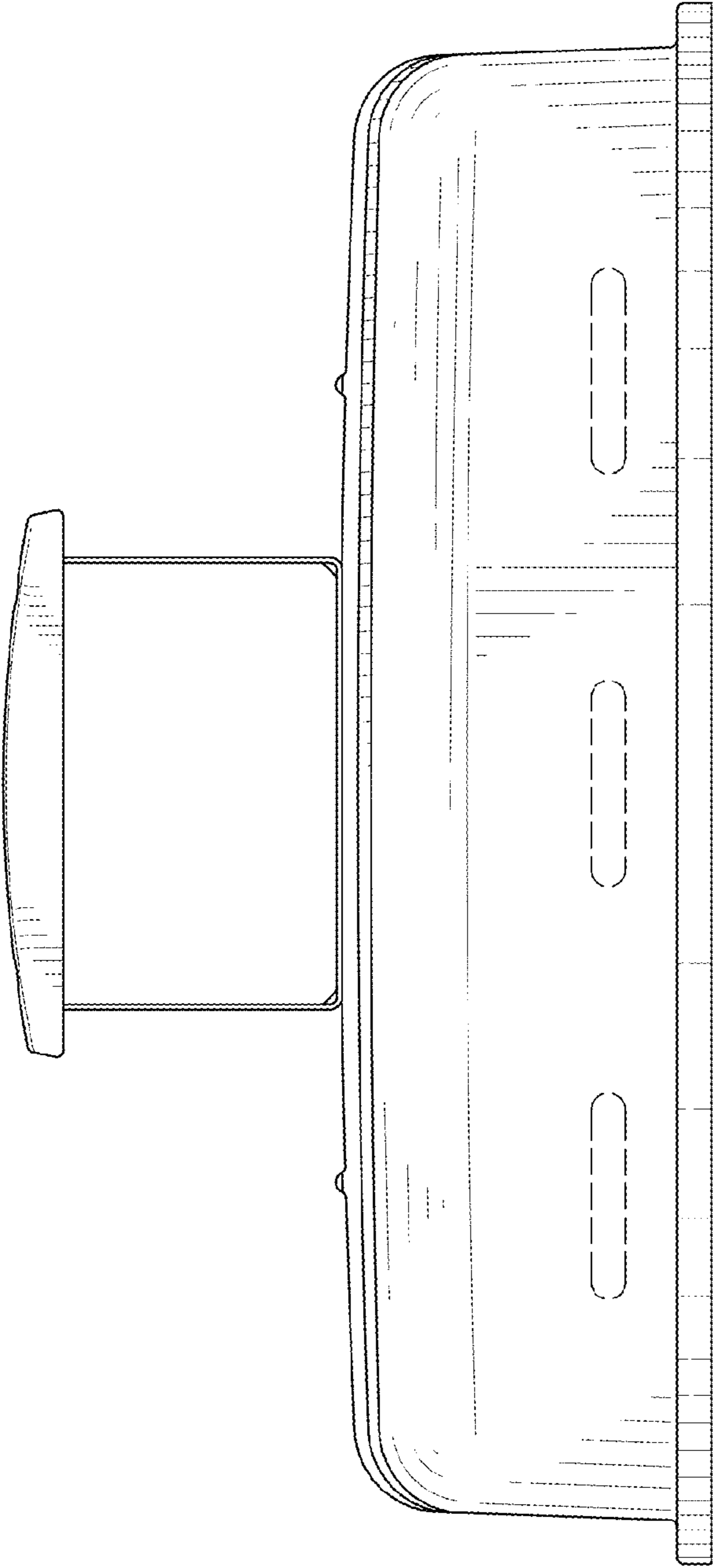


FIG. 3

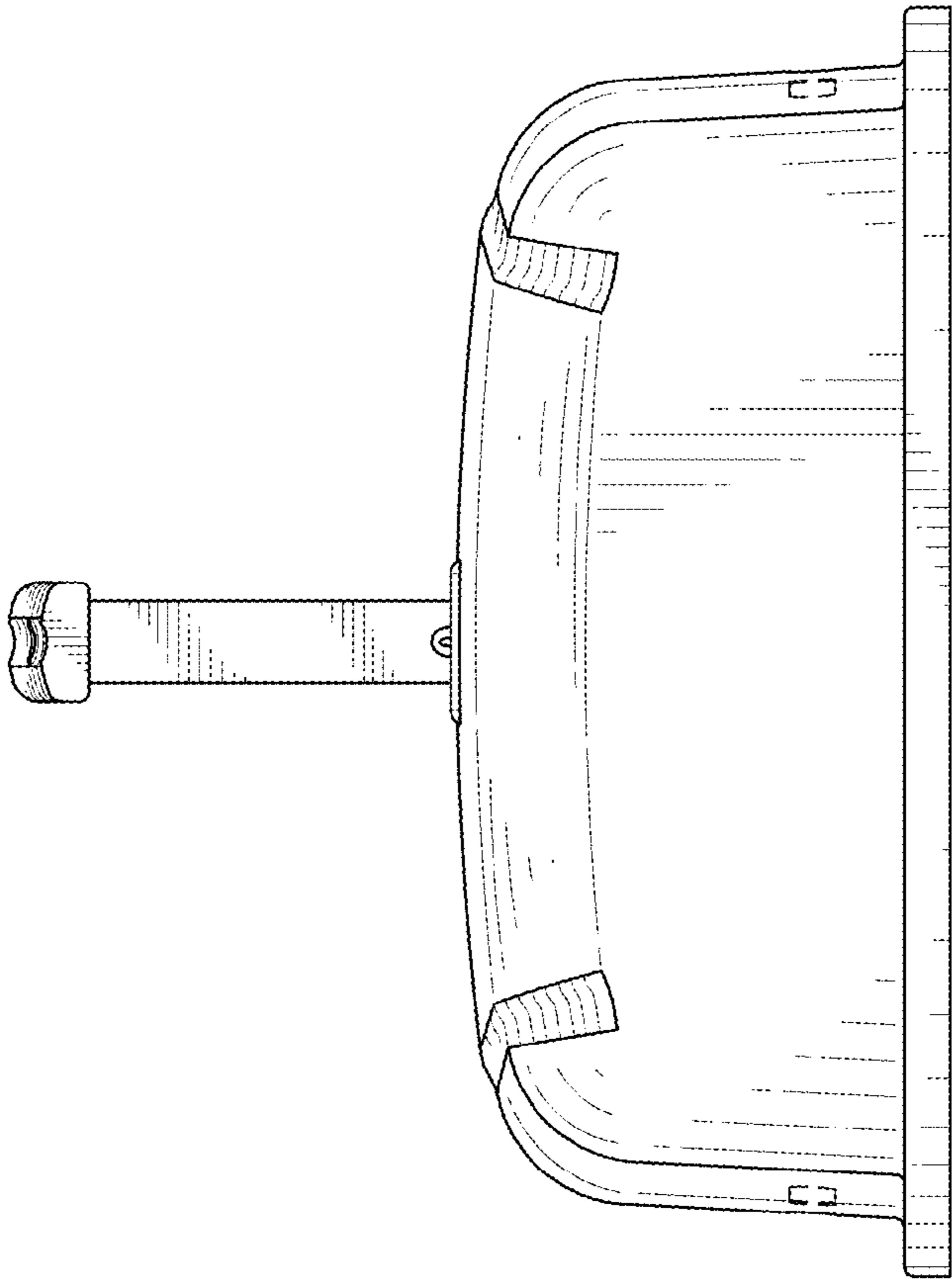


FIG. 4

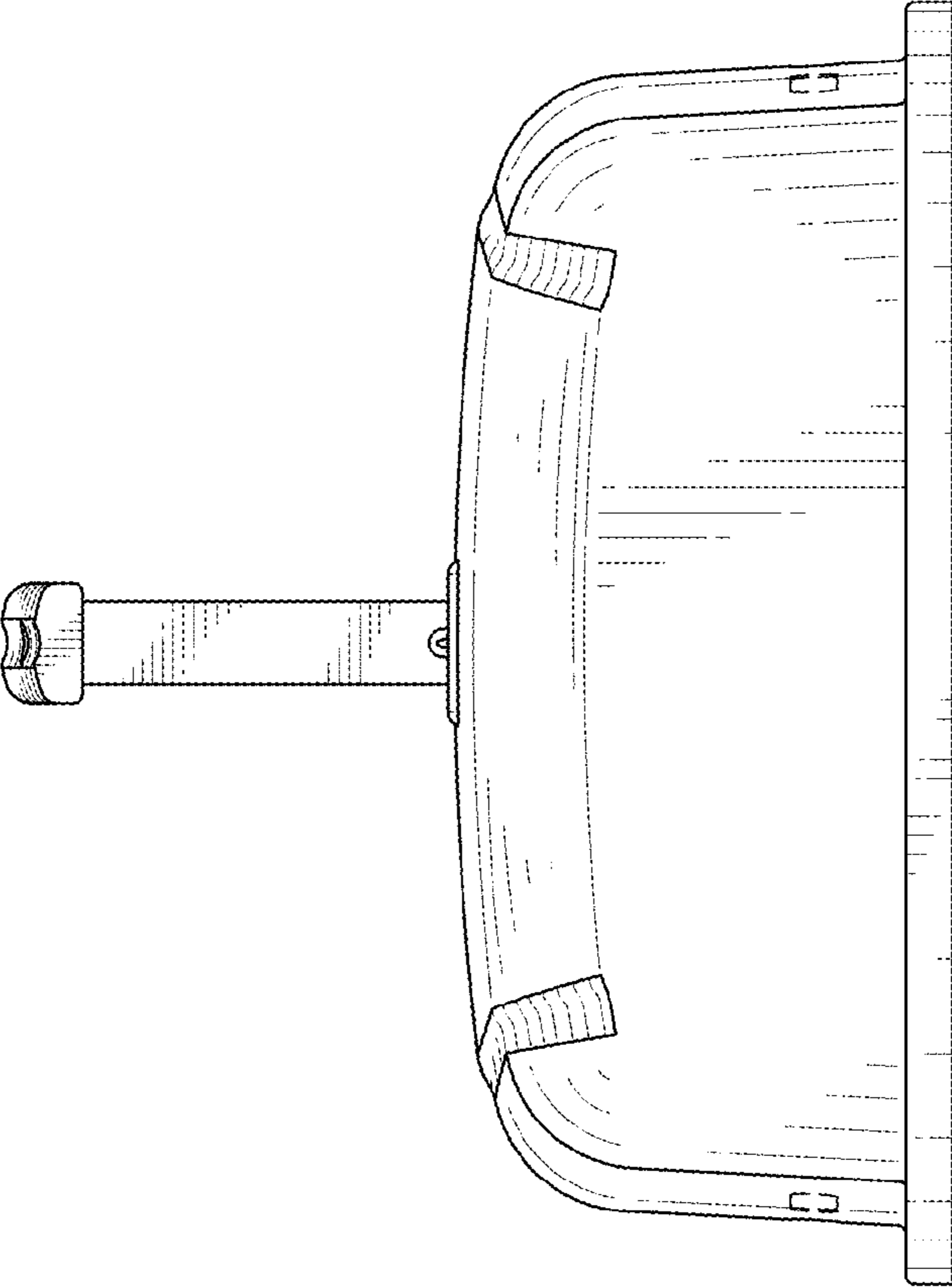


FIG. 5

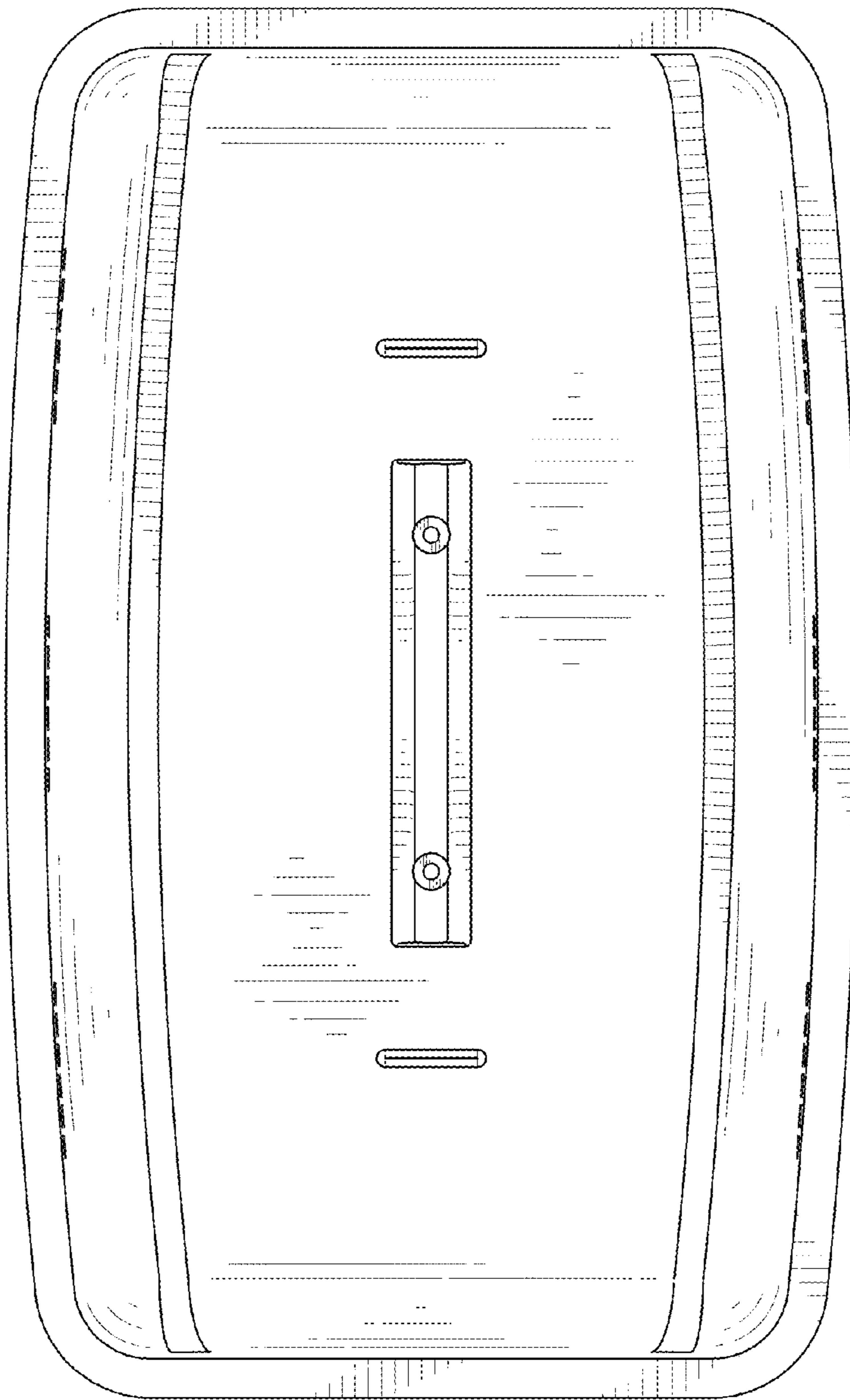


FIG. 6

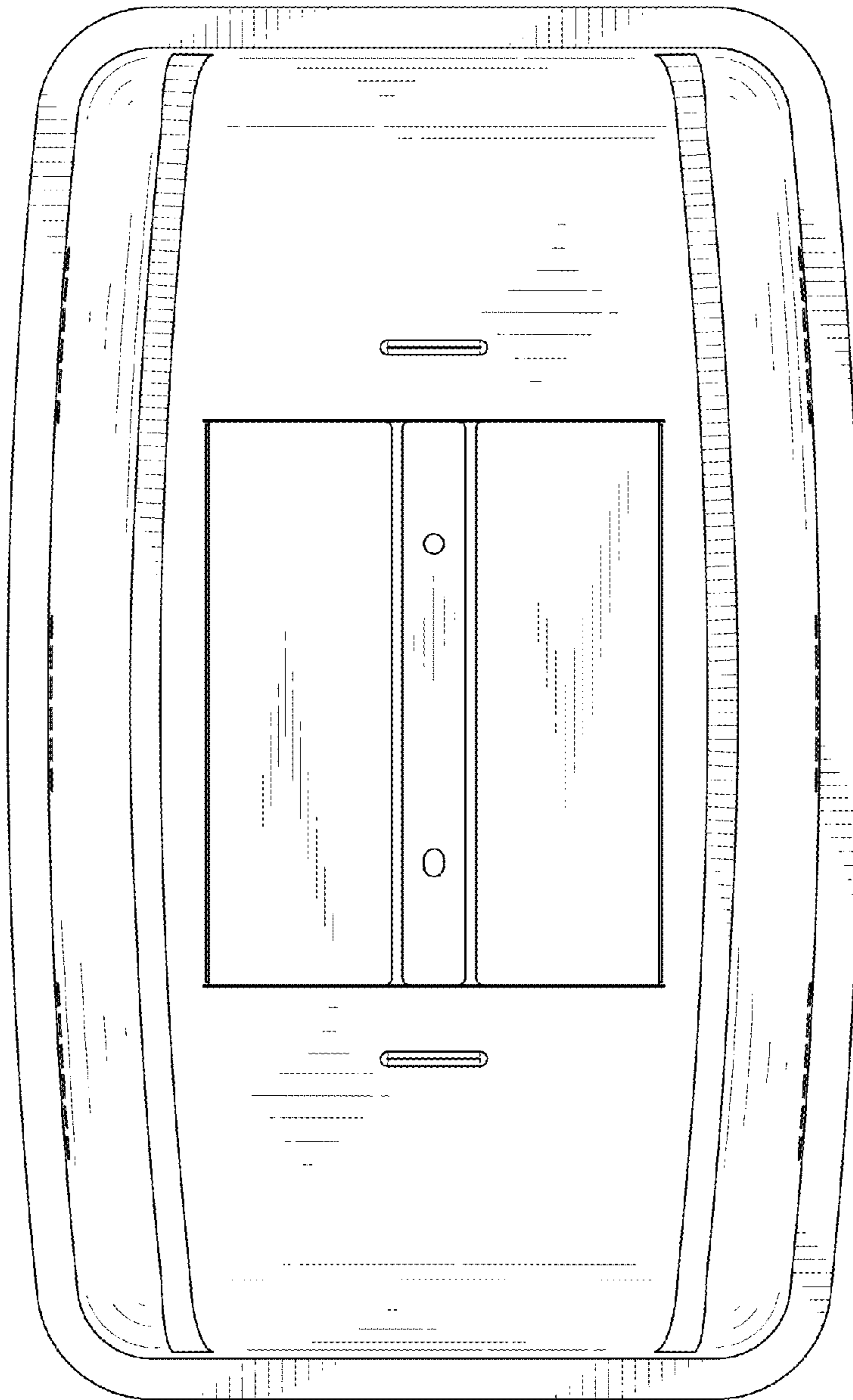


FIG. 7



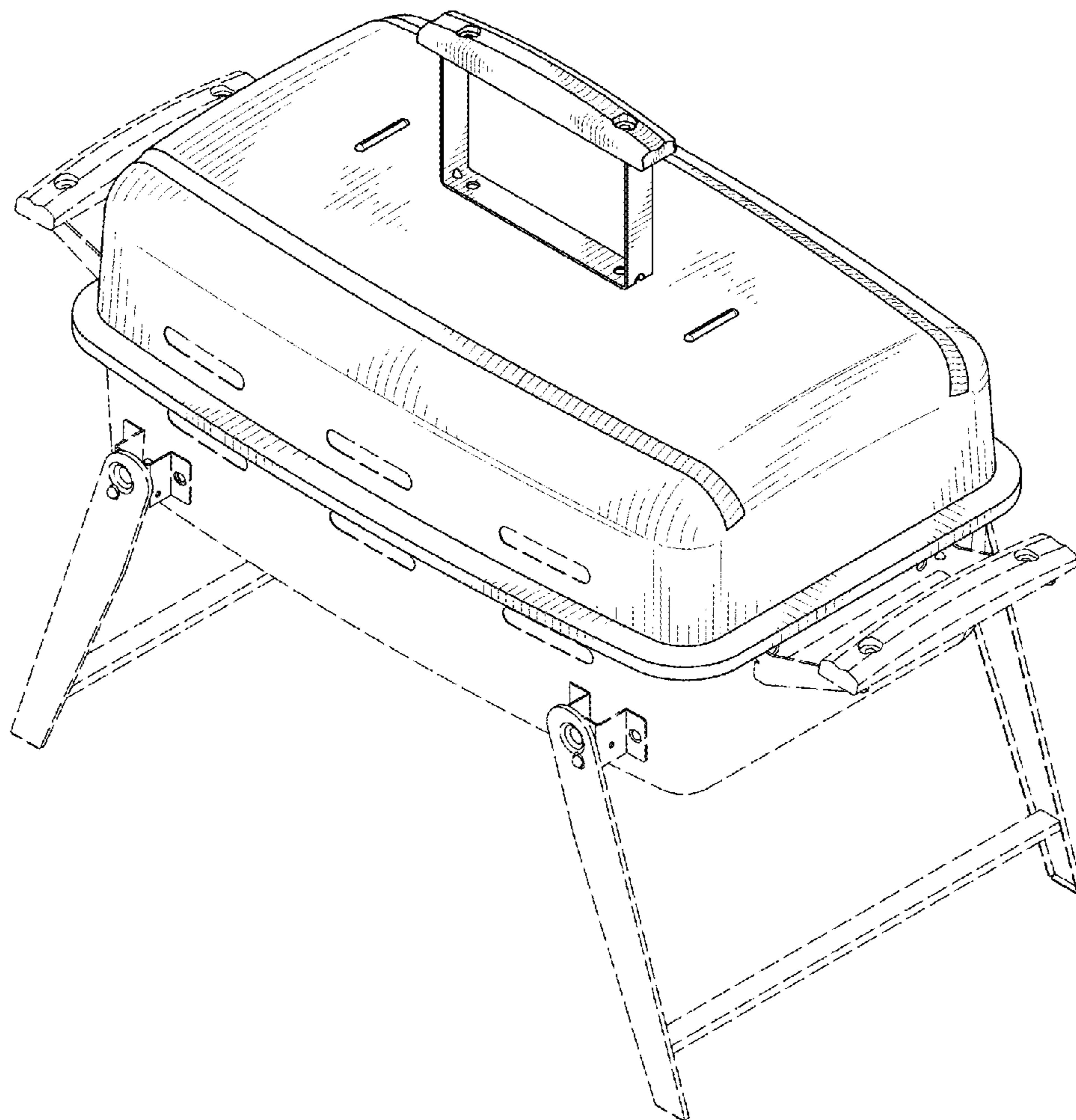


FIG. 8