



US00D712200S

(12) **United States Design Patent**
Kudou

(10) **Patent No.:** **US D712,200 S**

(45) **Date of Patent:** **** Sep. 2, 2014**

(54) **KNIFE HANDLE**

(75) Inventor: **Hikaru Kudou**, Kawaguchi (JP)

(73) Assignee: **Forever Co., Ltd.**, Kawaguchi-shi (JP)

(**) Term: **14 Years**

(21) Appl. No.: **29/429,144**

(22) Filed: **Aug. 7, 2012**

(51) **LOC (10) Cl.** **07-03**

(52) **U.S. Cl.**
USPC **D7/401.2; D7/649**

(58) **Field of Classification Search**
USPC D7/393-395, 401.2, 642-652, 693,
D7/695-696; D4/138; D8/93, 97-100,
D8/107, 300, 321; D22/117-118; 30/136,
30/142, 147-149, 329, 340-345
See application file for complete search history.

(56) **References Cited**

U.S. PATENT DOCUMENTS

D447,925 S *	9/2001	Osborne	D8/107
D498,394 S *	11/2004	Chen	D7/650
D499,886 S *	12/2004	Goulet et al.	D4/138
D542,619 S *	5/2007	Hung	D8/107

D554,428 S *	11/2007	Smith et al.	D7/401.2
D639,614 S *	6/2011	Krapfl et al.	D7/649
D639,615 S *	6/2011	Krapfl et al.	D7/649
D639,616 S *	6/2011	Krapfl et al.	D7/649
D653,507 S *	2/2012	Henn et al.	D7/649
D683,204 S *	5/2013	Yamada	D8/107
D691,419 S *	10/2013	Bhasin	D7/401.2

* cited by examiner

Primary Examiner — Ricky Pham

(74) *Attorney, Agent, or Firm* — Baker & Hostetler LLP

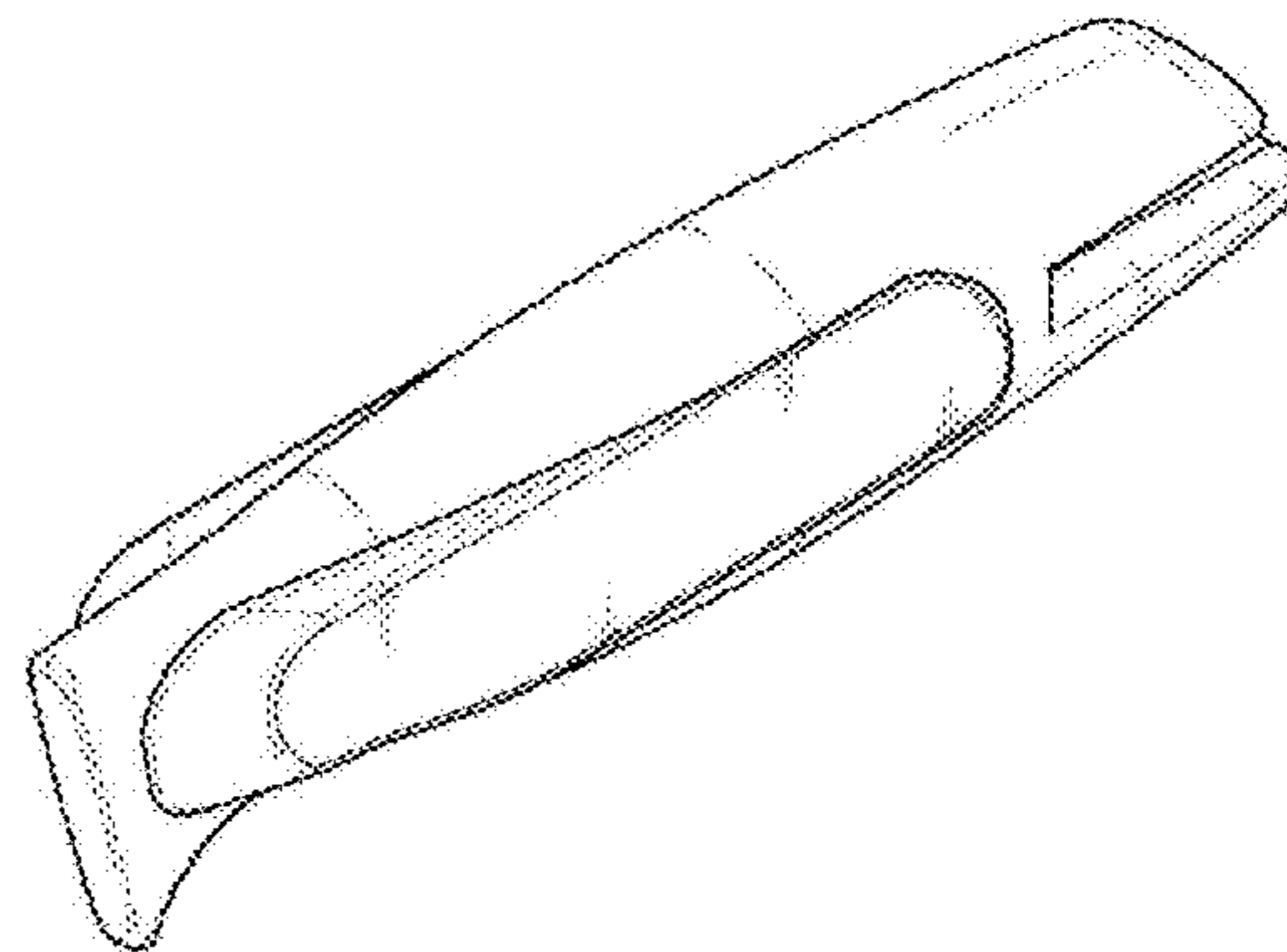
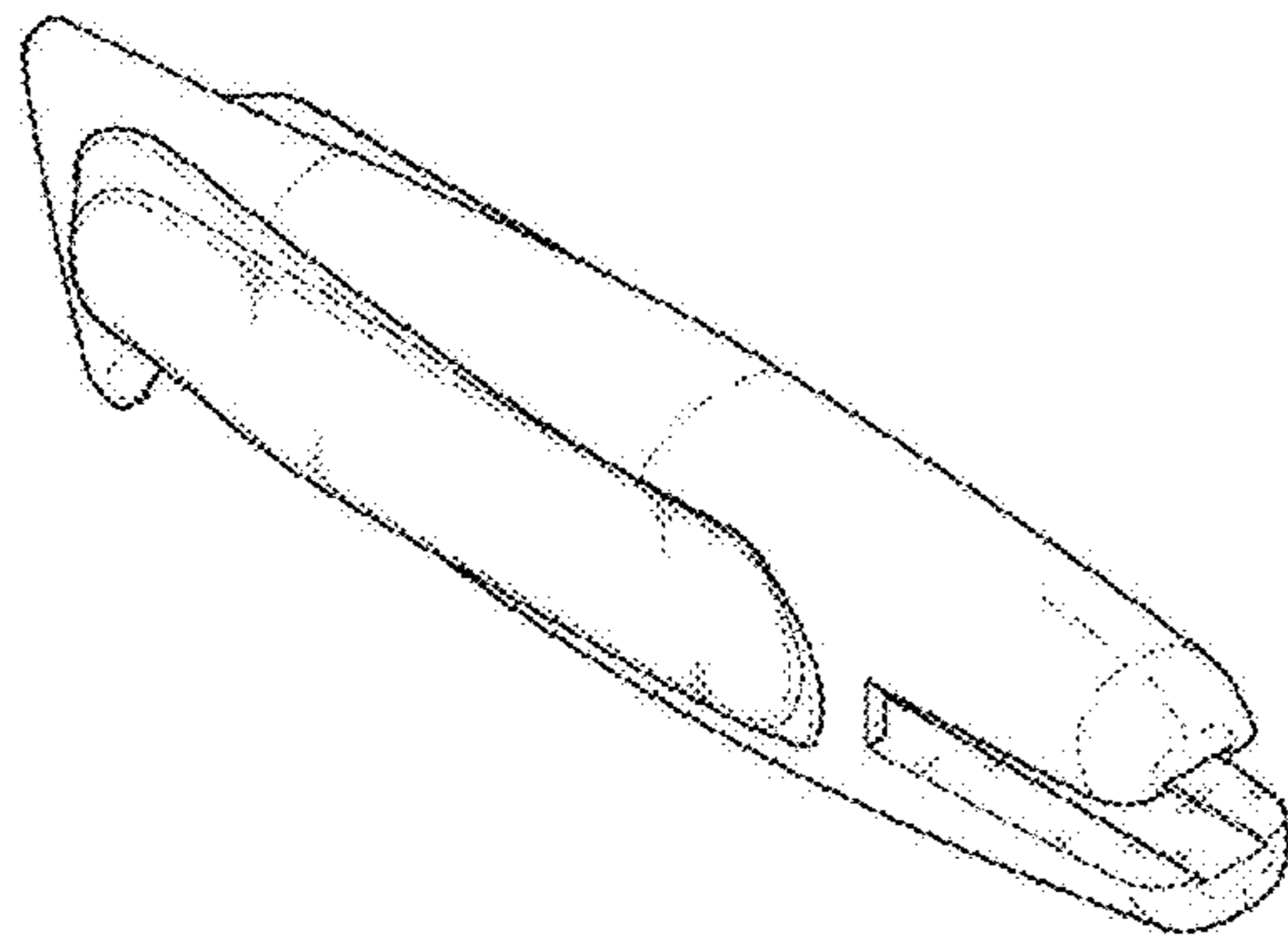
(57) **CLAIM**

The ornamental design for a knife handle, as shown and described.

DESCRIPTION

FIG. 1 is a rear perspective view of a knife handle showing my new design;
FIG. 2 is a left side view thereof;
FIG. 3 is a right side view thereof;
FIG. 4 is a front side view thereof;
FIG. 5 is a rear view thereof;
FIG. 6 is a top view thereof;
FIG. 7 is a bottom view thereof; and,
FIG. 8 is a front perspective view thereof.

1 Claim, 8 Drawing Sheets



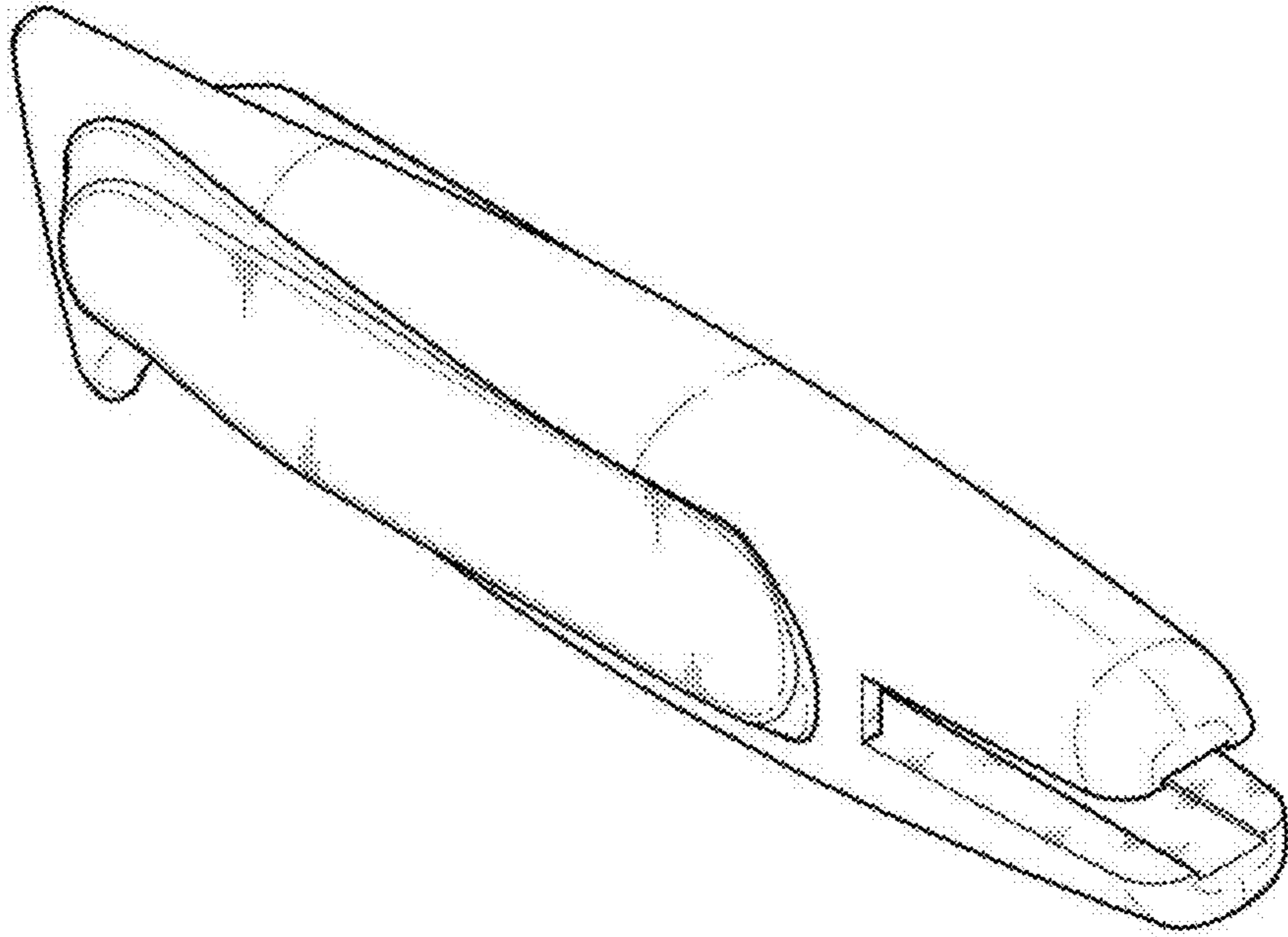


FIG. 1

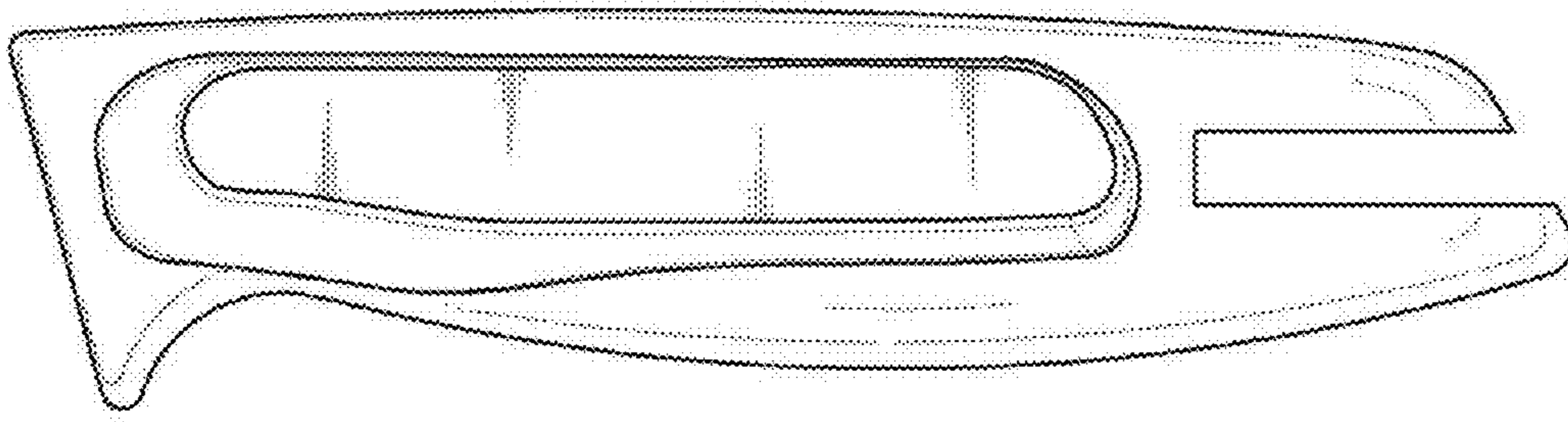


FIG. 2

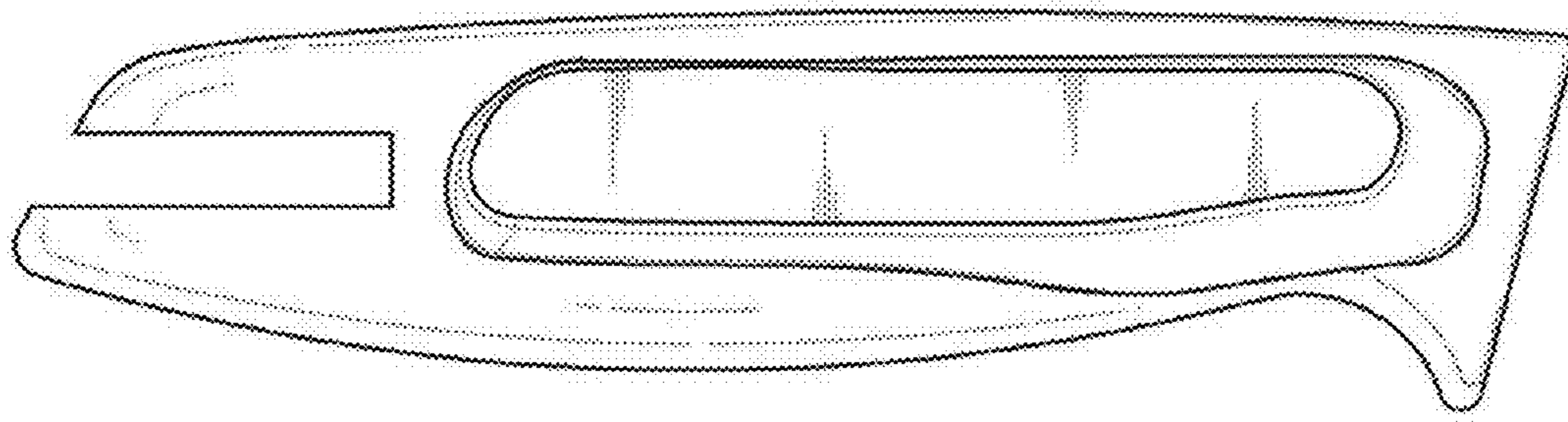


FIG. 3

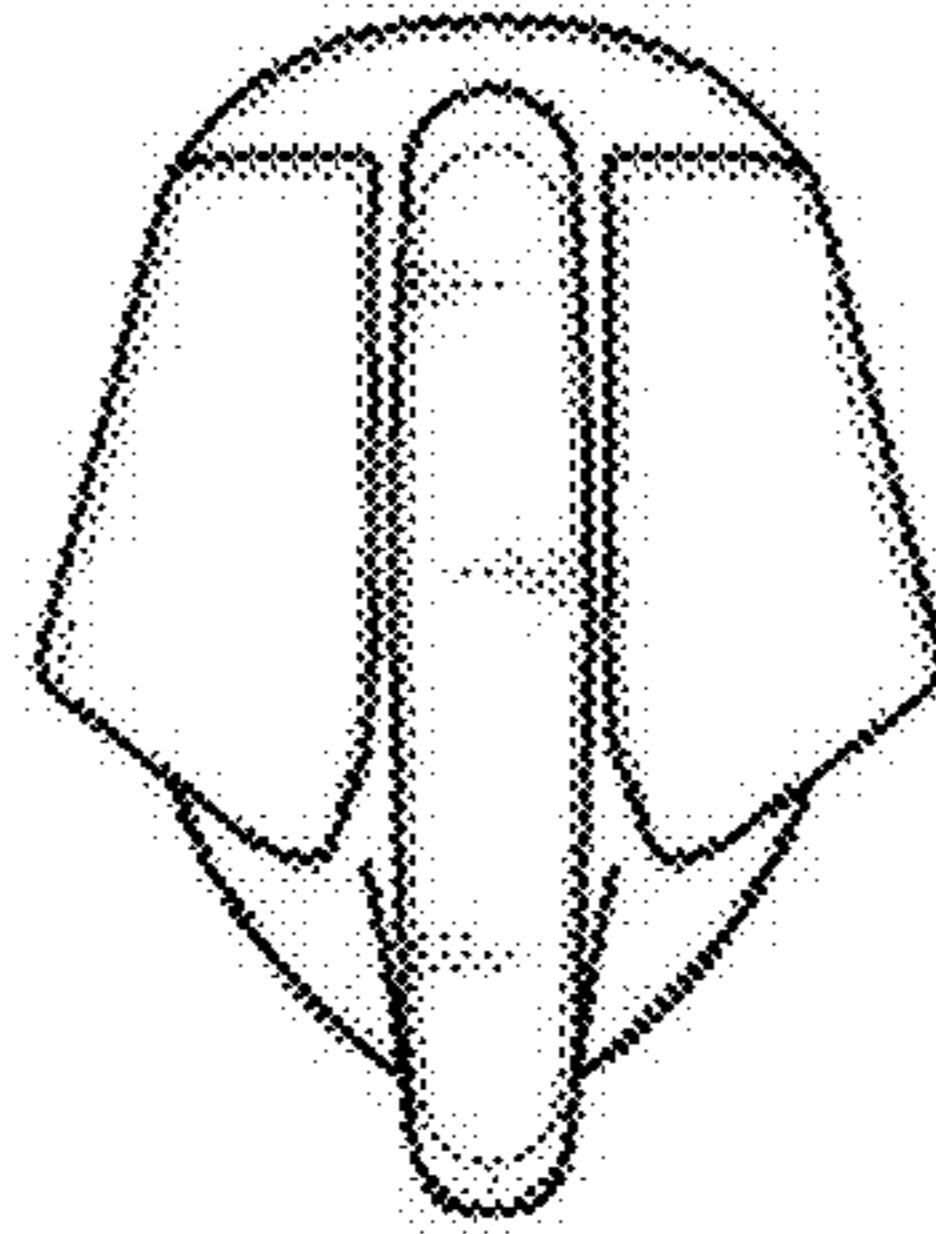


FIG. 4

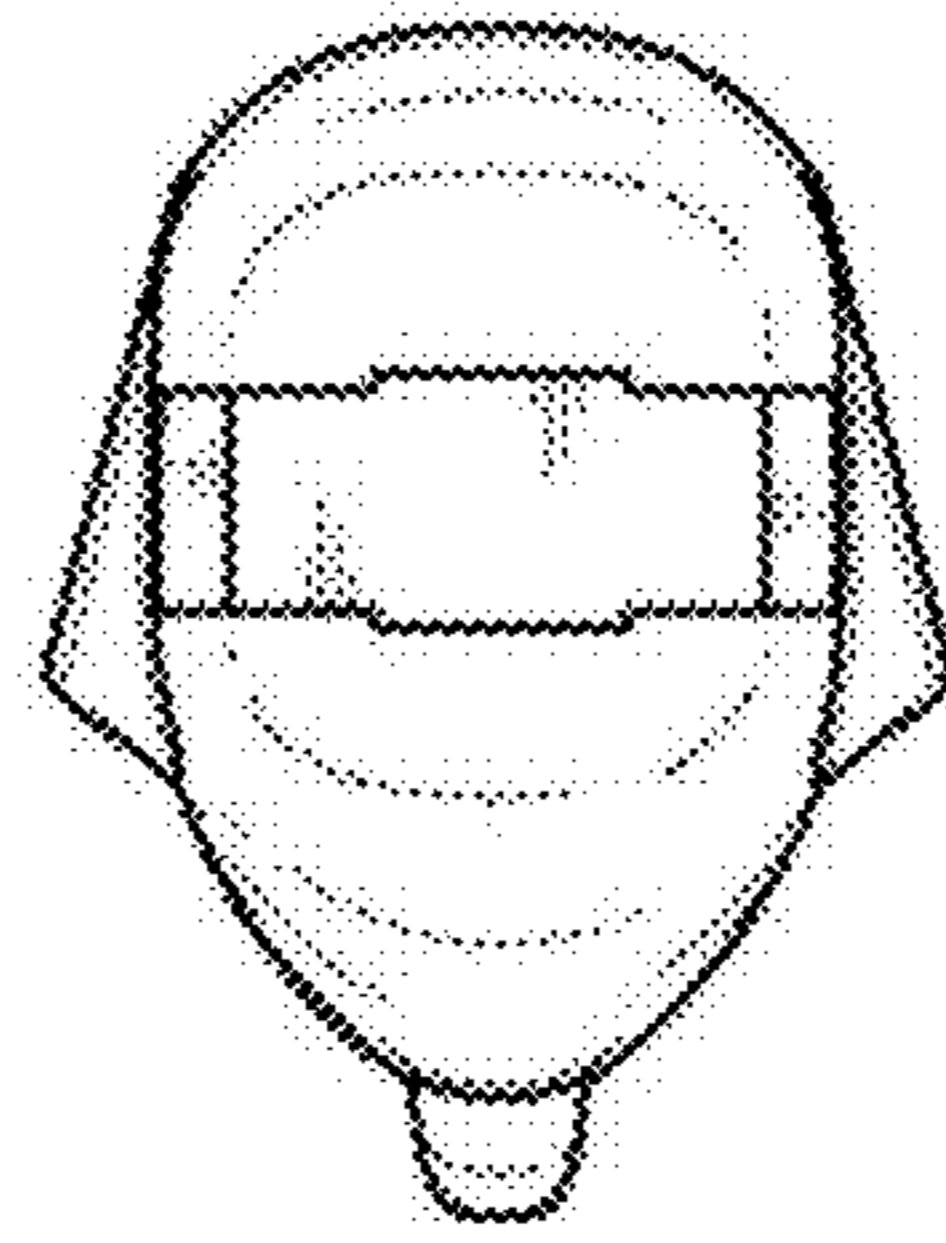


FIG. 5

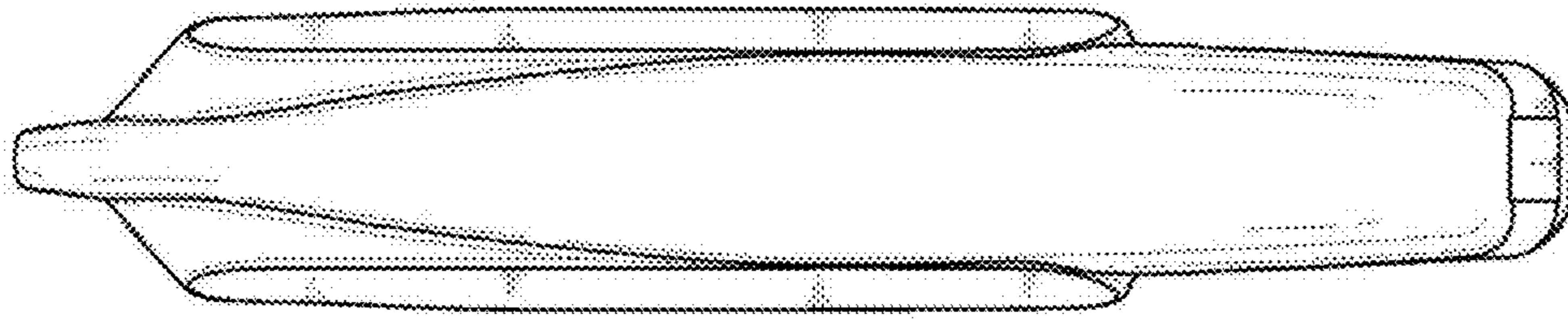


FIG. 6

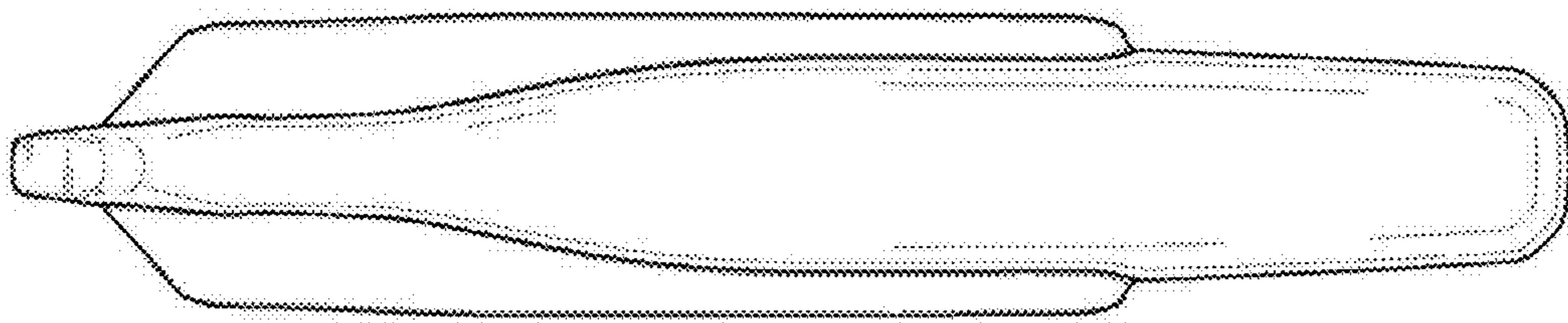


FIG. 7

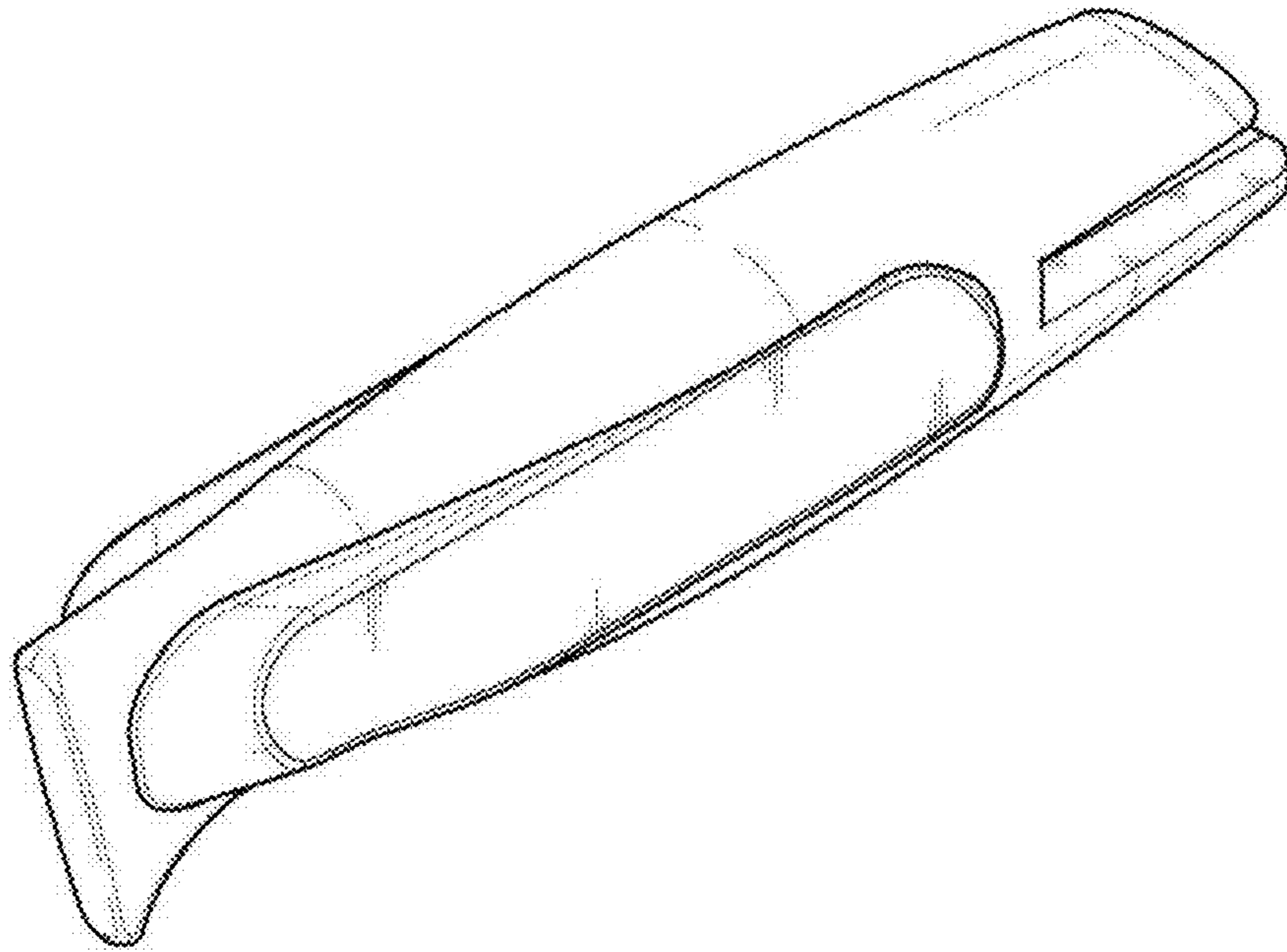


FIG. 8