



US00D712199S

(12) **United States Design Patent**
Borden et al.

(10) **Patent No.:** **US D712,199 S**
(45) **Date of Patent:** **** Sep. 2, 2014**

(54) **WINE AERATOR**

FOREIGN PATENT DOCUMENTS

(71) Applicant: **Prime Wine Products LLC**, Tampa, FL (US)

EP 0344859 12/1989
JP 56-017625 2/1981

(Continued)

(72) Inventors: **Michael Borden**, Tampa, FL (US); **Sean O’Cuinneagain**, Lutz, FL (US)

OTHER PUBLICATIONS

(73) Assignee: **Prime Wine Products, LLC**, Las Vegas, NV (US)

Winemag.us, The New General Wine Aerator, Wine Review Magazine, <http://www.winemag.us/wine/the-new-generation-wine-aerator.html>, Dec. 7, 2008.

(**) Term: **14 Years**

(Continued)

(21) Appl. No.: **29/435,045**

Primary Examiner — Marianne Pandozzi

(22) Filed: **Oct. 18, 2012**

(74) *Attorney, Agent, or Firm* — Knobbe Martens Olson & Bear, LLP

Related U.S. Application Data

(63) Continuation of application No. 13/310,642, filed on Dec. 2, 2011, and a continuation-in-part of application No. 29/408,577, filed on Dec. 14, 2011, now abandoned.

(57) **CLAIM**

The ornamental design for a wine aerator, as shown and described.

(51) **LOC (10) Cl.** **07-01**
(52) **U.S. Cl.**
USPC **D7/397**; D7/398; D7/700; D7/400;
D7/667; D9/440

DESCRIPTION

(58) **Field of Classification Search**
USPC D7/400, 399, 397, 213, 387, 398, 392.2,
D7/700, 315, 396.2, 667; D9/440, 439;
99/323.1, 275, 277.1; 261/76, 110, 30;
222/190, 450
See application file for complete search history.

FIG. 1 is a perspective top view of a wine aerator.
FIG. 2 is side view of the wine aerator of FIG. 1.
FIG. 3 is a side view of the wine aerator of FIG. 1 rotated 90 degrees about the axis of the aerator from the view shown in FIG. 2.
FIG. 4 a side view of the wine aerator of FIG. 1 rotated 90 degrees about the axis of the aerator from the view shown in FIG. 3.
FIG. 5 a side view of the wine aerator of FIG. 1 rotated 90 degrees about the axis of the aerator from the view shown in FIG. 4.
FIG. 6 is a top view of the wine aerator of FIG. 1; and,
FIG. 7 is a bottom view of the wine aerator of FIG. 1.
The broken lines in the drawings are included for the purpose of illustration and form no part of the claimed design.

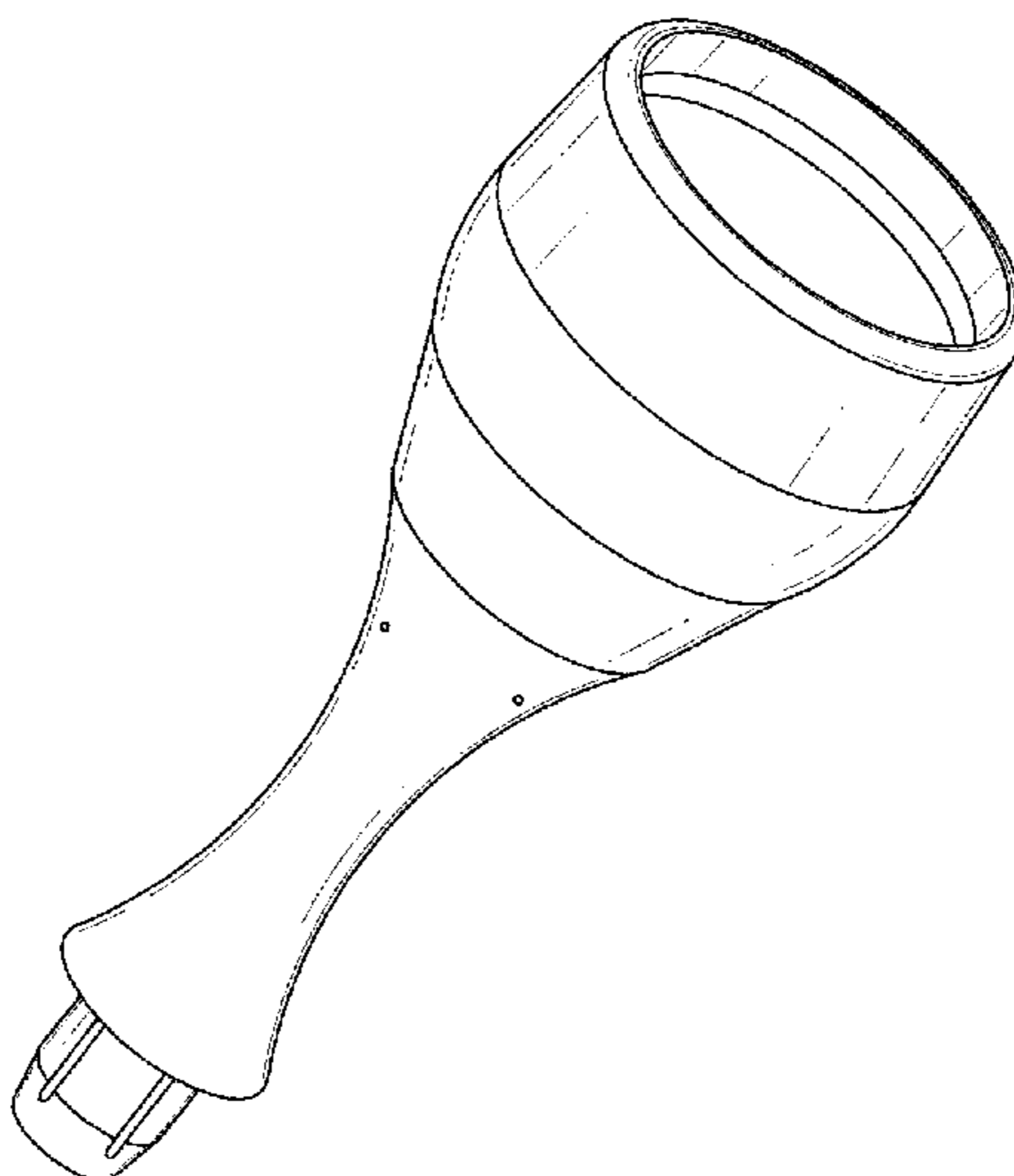
(56) **References Cited**

U.S. PATENT DOCUMENTS

D154,935 S * 8/1949 Lilja D7/400
D210,743 S * 4/1968 Chaffee D7/590

(Continued)

1 Claim, 6 Drawing Sheets



(56)

References Cited

U.S. PATENT DOCUMENTS

3,704,008 A 11/1972 Ziegler
 3,774,645 A 11/1973 Pompa
 D229,918 S * 1/1974 Schlessel D7/597
 4,308,138 A 12/1981 Woltman
 4,564,480 A 1/1986 Kamelmacher
 4,595,121 A 6/1986 Schultz
 4,640,782 A 2/1987 Burleson
 4,706,720 A * 11/1987 Pattison et al. 141/327
 4,721,562 A 1/1988 Barnscheidt et al.
 5,169,293 A 12/1992 Yamamoto
 D334,120 S * 3/1993 Faught D7/700
 5,293,912 A 3/1994 Wildash et al.
 5,335,588 A 8/1994 Mahlich
 5,336,402 A 8/1994 Yamamoto et al.
 5,403,475 A 4/1995 Allen
 5,509,349 A 4/1996 Anderson et al.
 5,568,660 A 10/1996 Raburn et al.
 5,923,912 A * 7/1999 Miki et al. 396/395
 D425,785 S * 5/2000 Hirato et al. D9/689
 6,162,021 A 12/2000 Sarshar et al.
 6,290,917 B1 9/2001 Yamamoto
 6,450,484 B1 9/2002 Popov
 D474,689 S * 5/2003 Dinsky D9/440
 6,568,660 B1 * 5/2003 Flanbaum 261/76
 6,581,856 B1 6/2003 Srinath
 6,595,109 B2 * 7/2003 Liebmann, Jr. 99/323
 6,767,006 B1 7/2004 Tripepi
 6,986,506 B2 1/2006 Chapman et al.
 D535,559 S * 1/2007 Kehoe D9/440
 7,299,743 B2 * 11/2007 Moore 99/323.1
 D604,560 S * 11/2009 Priest D7/507
 7,614,614 B2 11/2009 Sabadicci et al.
 D610,915 S * 3/2010 Conway et al. D9/689
 D612,659 S * 3/2010 Kehoe D7/316
 D614,443 S * 4/2010 Federighi D7/398
 D619,431 S * 7/2010 Wax D7/700
 D624,355 S * 9/2010 Tiso D7/387
 D624,358 S * 9/2010 Mauffette et al. D7/398
 7,841,584 B2 11/2010 Sabadicci et al.
 D640,904 S * 7/2011 Wax D7/700
 D642,018 S * 7/2011 Zamarripa et al. D7/398

7,992,844 B2 * 8/2011 Chiorazzi 261/76
 D652,251 S * 1/2012 Goralski et al. D7/397
 D663,172 S * 7/2012 Huynh D7/700
 D663,593 S * 7/2012 Huynh D7/700
 8,430,023 B2 * 4/2013 Hynes 99/323.1
 2004/0166000 A1 8/2004 Fisher et al.
 2004/0251566 A1 12/2004 Kozyuk
 2005/0205609 A1 9/2005 Moore
 2007/0128387 A1 6/2007 Unwin et al.
 2009/0160072 A1 * 6/2009 Chiorazzi 261/76
 2010/0006603 A1 1/2010 Weinberg et al.
 2010/0011967 A1 1/2010 Barberio et al.
 2010/0025867 A1 2/2010 Benton et al.
 2010/0058933 A1 3/2010 Cheng
 2010/0091605 A1 4/2010 Rasmussen et al.
 2010/0122919 A1 5/2010 Burroughs et al.
 2011/0024461 A1 2/2011 Kilduff et al.
 2011/0024925 A1 2/2011 Mauffette
 2011/0042835 A1 2/2011 Sabadicci et al.
 2011/0154994 A1 6/2011 Sabadicci
 2011/0271846 A1 11/2011 Hynes
 2011/0274805 A1 11/2011 Nudi, Jr. et al.

FOREIGN PATENT DOCUMENTS

JP 10-033961 2/1998
 JP 2004-122043 4/2004

OTHER PUBLICATIONS

Respirer wine aerator, available more than one year before Dec. 2, 2011, accessed on Oct. 18, 2012 at <http://www.drinkdrycreek.com/?p=761>.
 Vin-aire wine aerator, available more than one year before Dec. 2, 2011, accessed on Oct. 18, 2012 at <http://www.vin-aire.com/>.
 Supplemental European Search Report, Serial No. 07749822, Mar. 2009.
 Photo of Respirer wine aerator, available more than one year before Dec. 2, 2011, and further described at <http://barryfroisland.com/wisp/smartphone/WispMyWine/Creative.html>, accessed on Mar. 28, 2014.

* cited by examiner

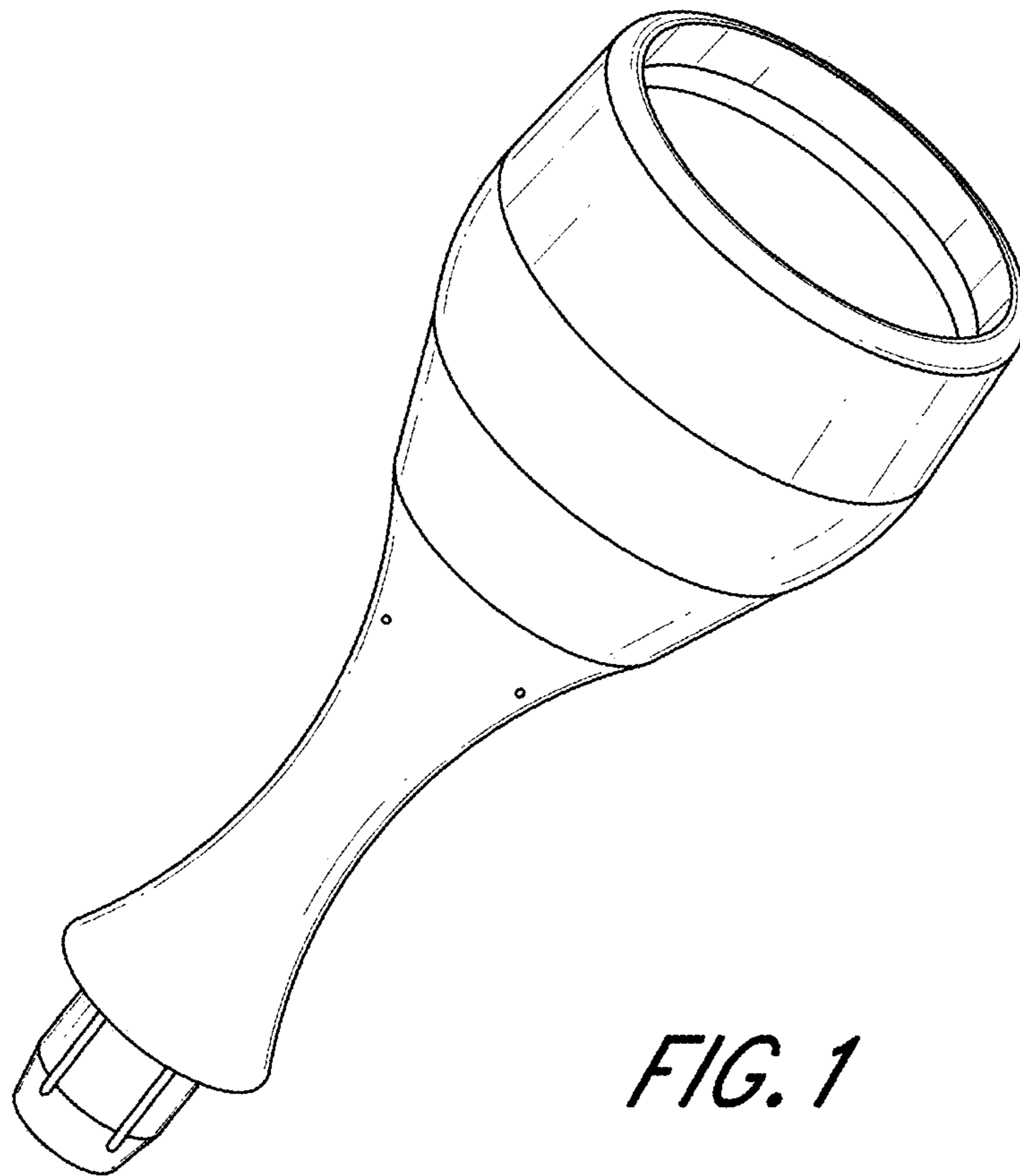


FIG. 1

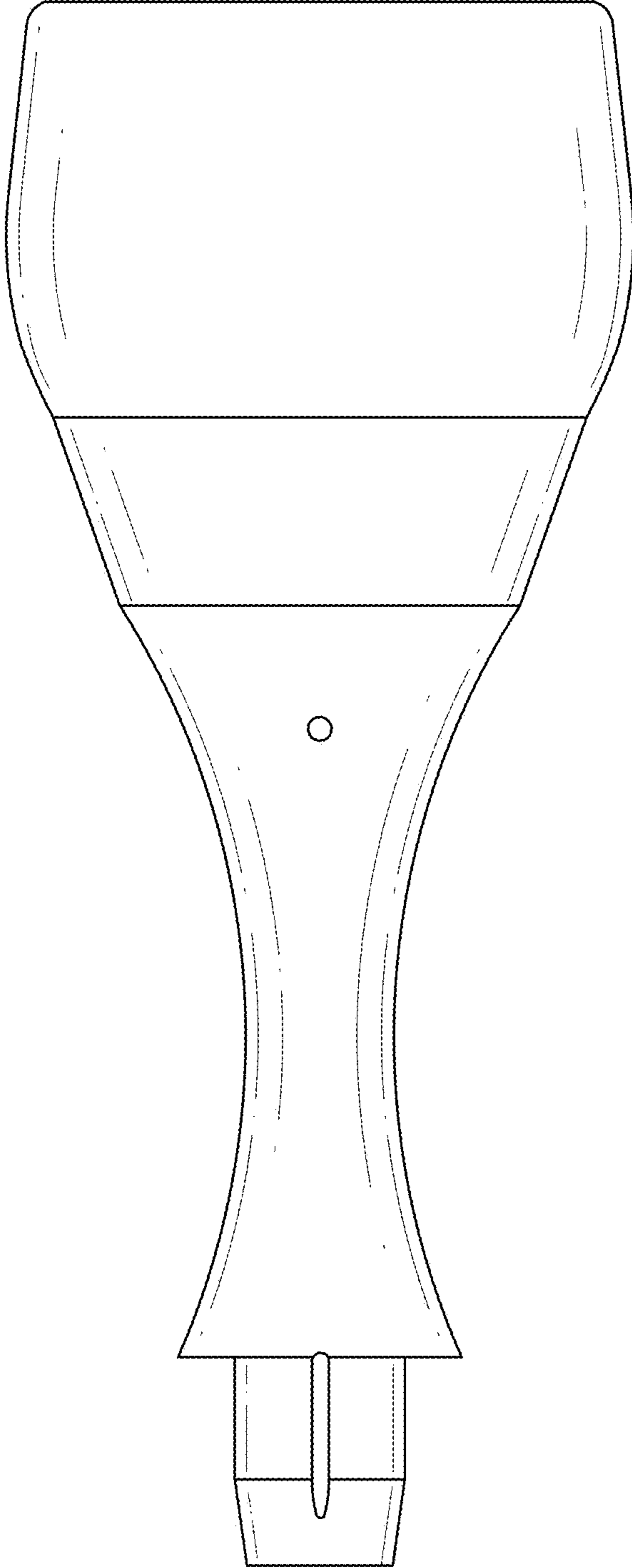


FIG. 2

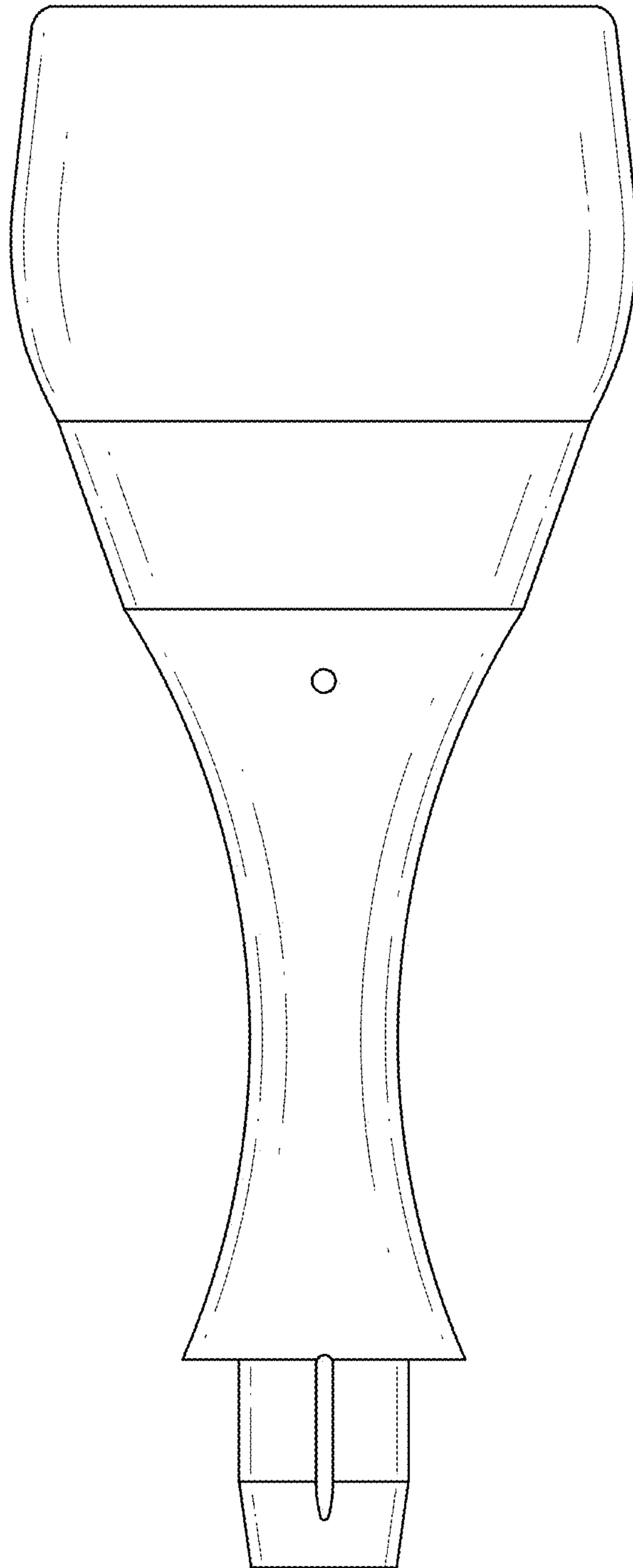


FIG. 3

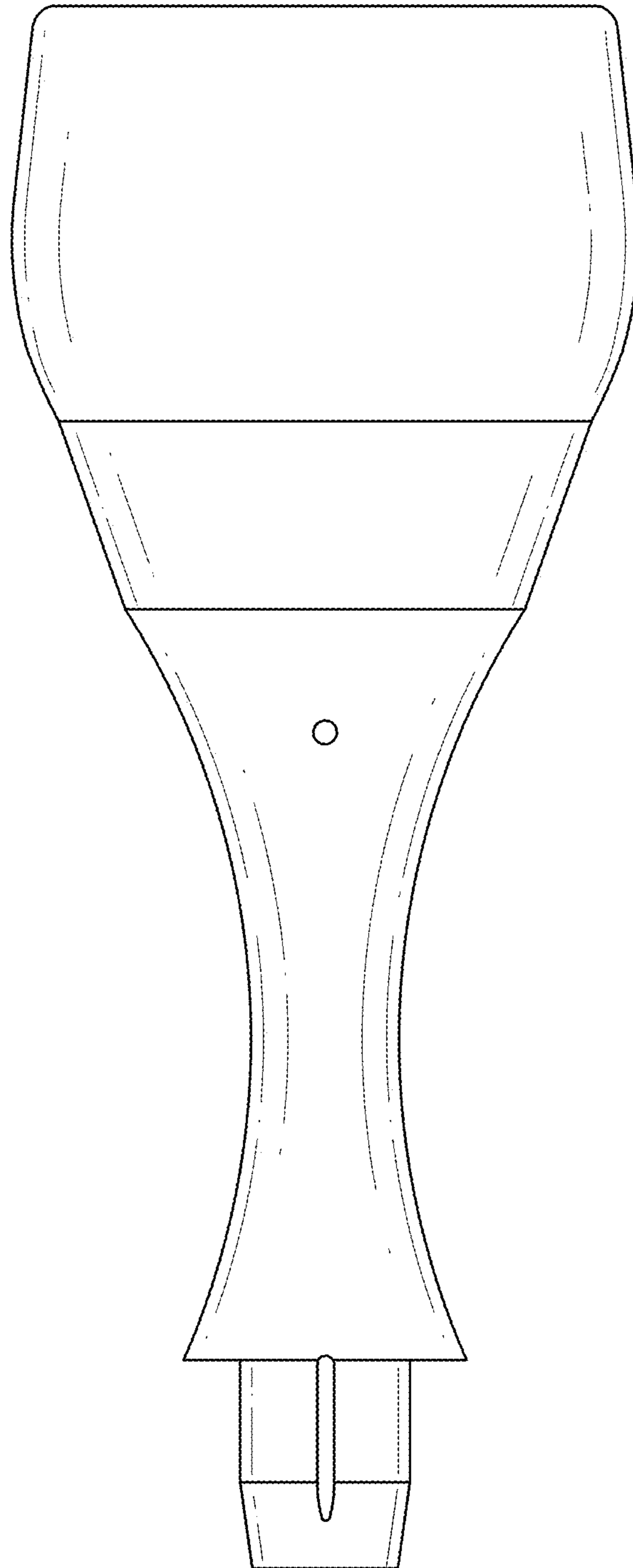


FIG. 4

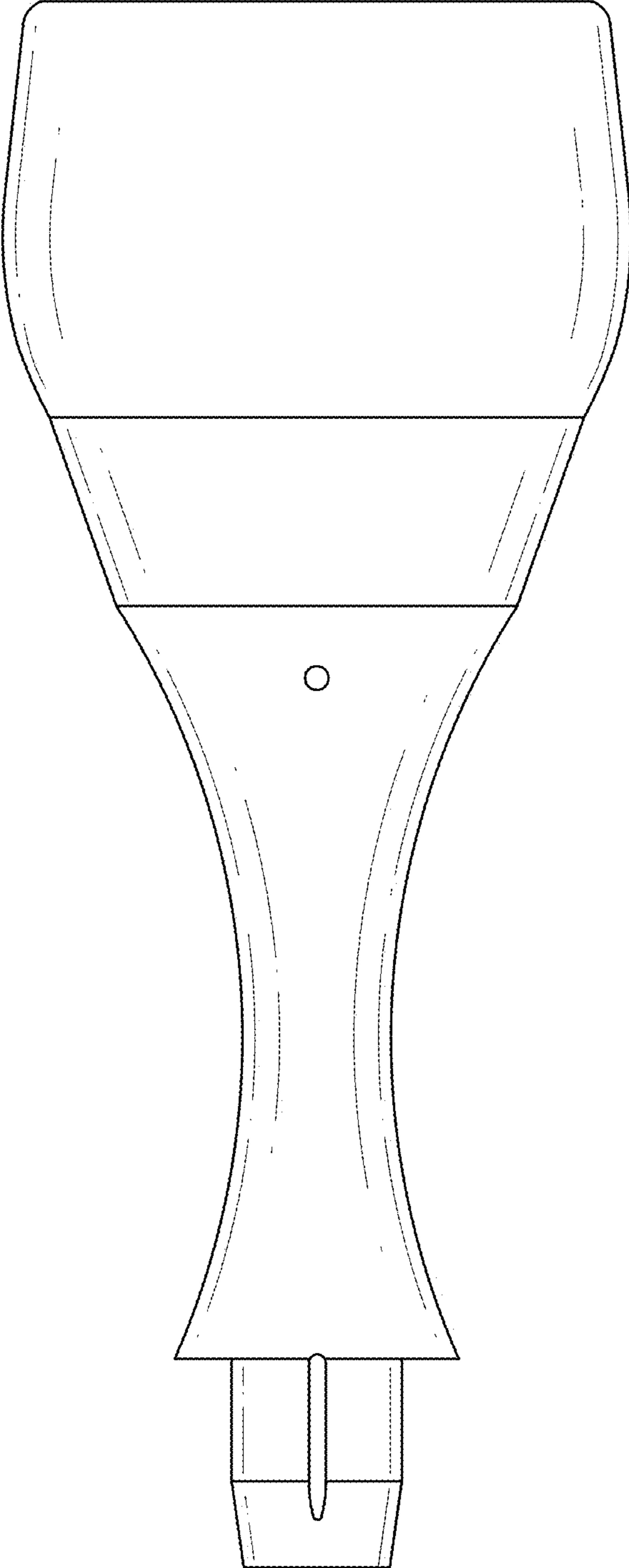


FIG. 5

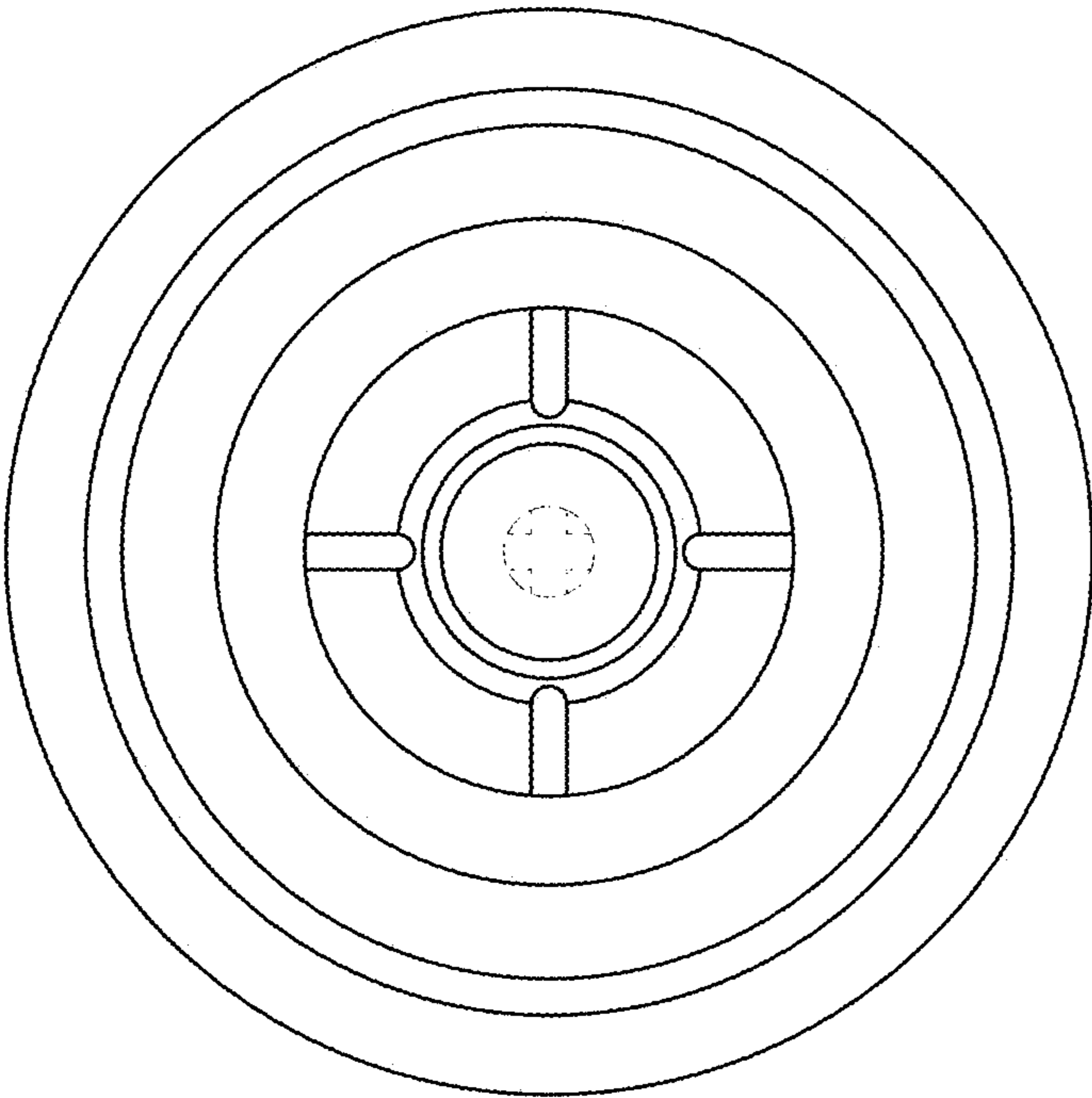


FIG. 7

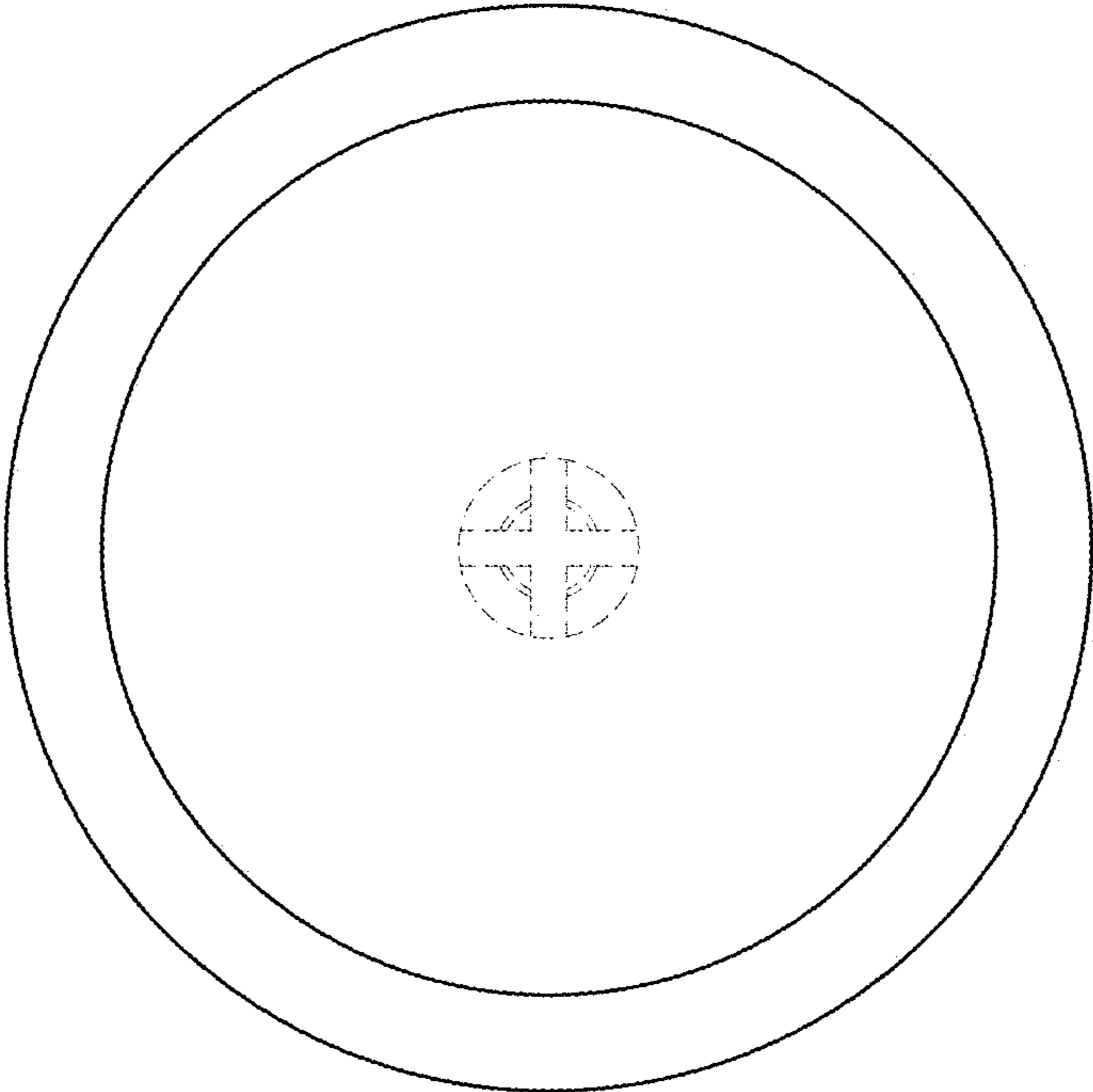


FIG. 6