



US00D712197S

(12) **United States Design Patent**
Stratmeyer

(10) **Patent No.:** **US D712,197 S**

(45) **Date of Patent:** **** Sep. 2, 2014**

(54) **POT LID HANDLE**

(71) Applicant: **Mark Stratmeyer**, Thousand Oaks, CA
(US)

(72) Inventor: **Mark Stratmeyer**, Thousand Oaks, CA
(US)

(**) Term: **14 Years**

(21) Appl. No.: **29/451,289**

(22) Filed: **Mar. 29, 2013**

Related U.S. Application Data

(63) Continuation-in-part of application No. 13/803,899,
filed on Mar. 14, 2013.

(51) **LOC (10) Cl.** **07-02**

(52) **U.S. Cl.**
USPC **D7/393**

(58) **Field of Classification Search**

USPC D7/354–358, 359–361, 391, 393, 402,
D7/405, 406, 682; D8/107, 302, 306, 307,
D8/300, 310, 311, 314, 373; D13/171,
D13/174; 16/110 R, 114 R, 118, 121, 309,
16/311, 312, 315, 320, 430, 431, 441;
74/548, 553, 558.5; 200/18, 61.8,
200/336–338, 564–570; 220/573.1–573.5,
220/752, 753, 755, 912

See application file for complete search history.

(56) **References Cited**

U.S. PATENT DOCUMENTS

D338,613 S * 8/1993 Hoover D8/373
D352,628 S * 11/1994 James D8/373

D366,184 S * 1/1996 Koch D7/395
D469,331 S * 1/2003 Hansen D8/306
D475,295 S * 6/2003 Love D9/451
D569,217 S * 5/2008 Nahls D8/302
D574,213 S * 8/2008 Linares D8/306
D588,896 S * 3/2009 Ricereto D8/307
D605,024 S * 12/2009 Cotton D8/302
D608,137 S * 1/2010 Rae D7/394
D632,157 S * 2/2011 Le D8/306
D655,975 S * 3/2012 Schreiber-Pethan et al. .. D7/393
D662,387 S * 6/2012 Key, Jr. D8/107
D670,962 S * 11/2012 Rudisill, Jr. D7/392.1

* cited by examiner

Primary Examiner — Cynthia M Chin

(74) *Attorney, Agent, or Firm* — Koppel, Patrick, Heybl &
Philpott; Michael J. Ram

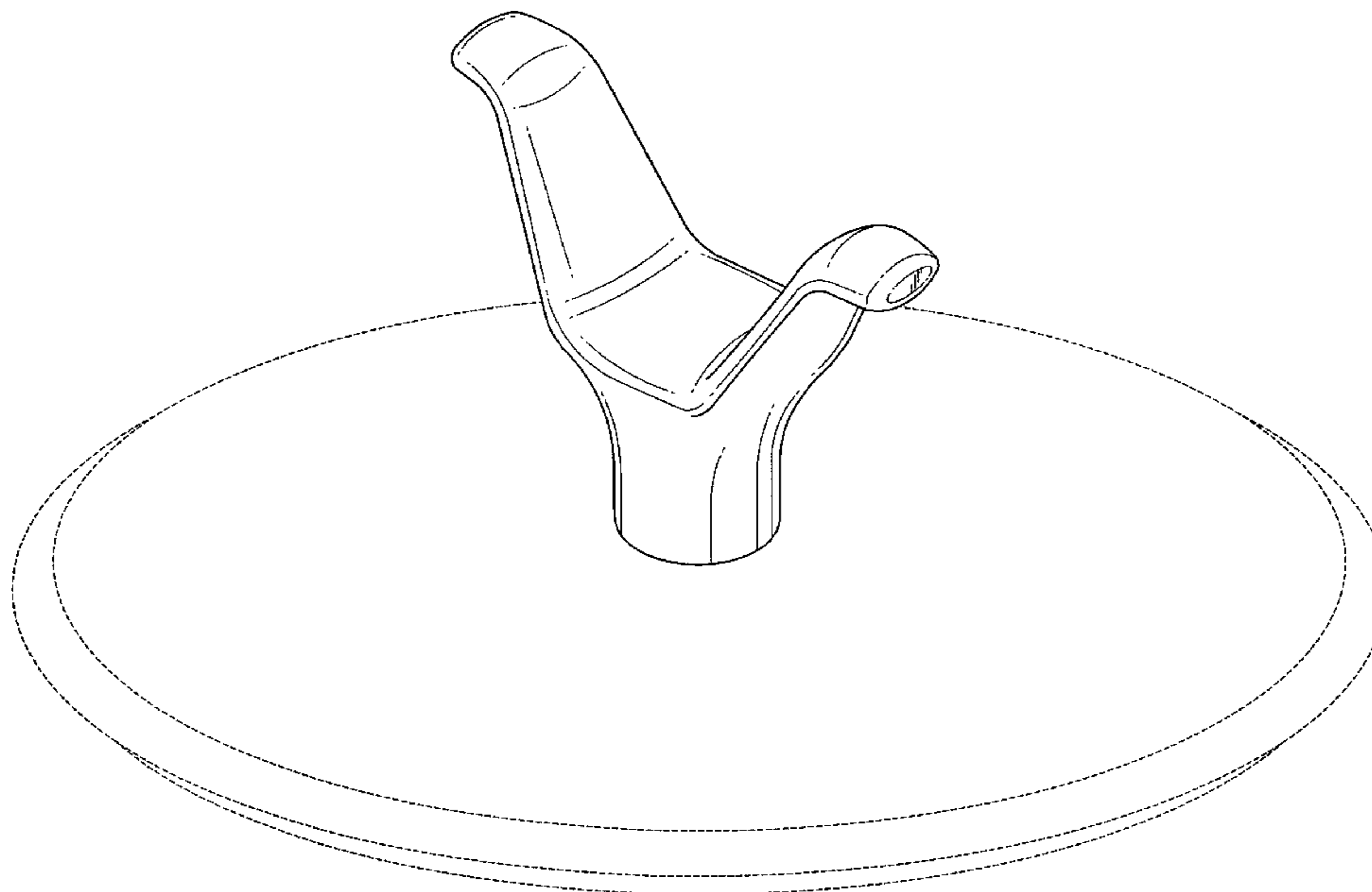
(57) **CLAIM**

The ornamental design for a pot lid handle, as shown and
described.

DESCRIPTION

FIG. 1 is a perspective view of a pot lid handle.
FIG. 2 is a left end view of the pot lid handle of FIG. 1.
FIG. 3 is a right end view of the pot lid handle of FIG. 1.
FIG. 4 is a front side view of the pot lid handle of FIG. 1, the
rear side view being a mirror image thereto.
FIG. 5 is a top side view of the pot lid handle of FIG. 1.
FIG. 6 is a bottom side view of the pot lid handle of FIG. 1;
and,
FIG. 7 is a top perspective view of the pot lid handle, showing
the pot lid handle mounted on a pot lid.
The broken lines depict environmental subject matter only
and form no part of the claimed design.

1 Claim, 3 Drawing Sheets



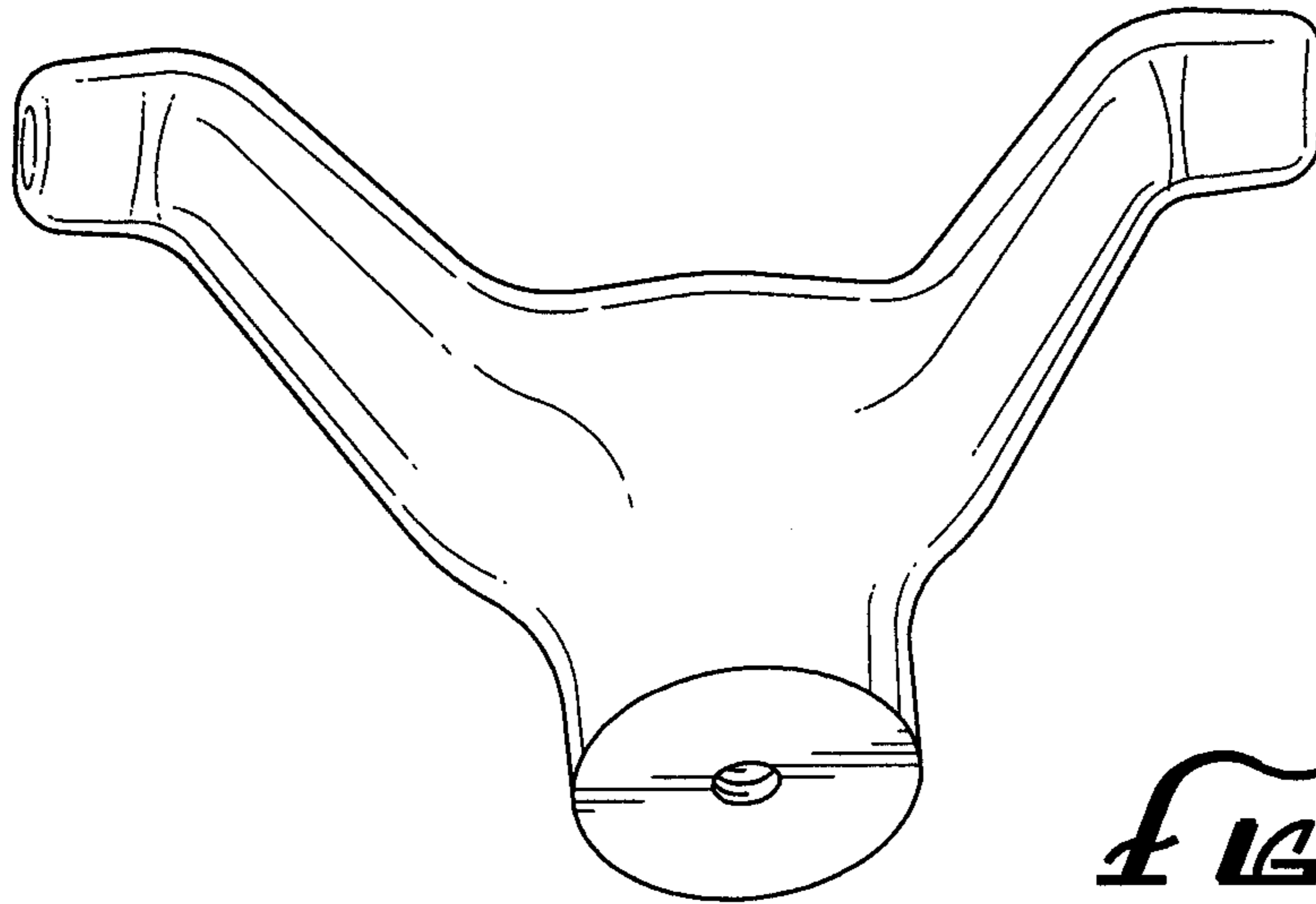


FIG. 1

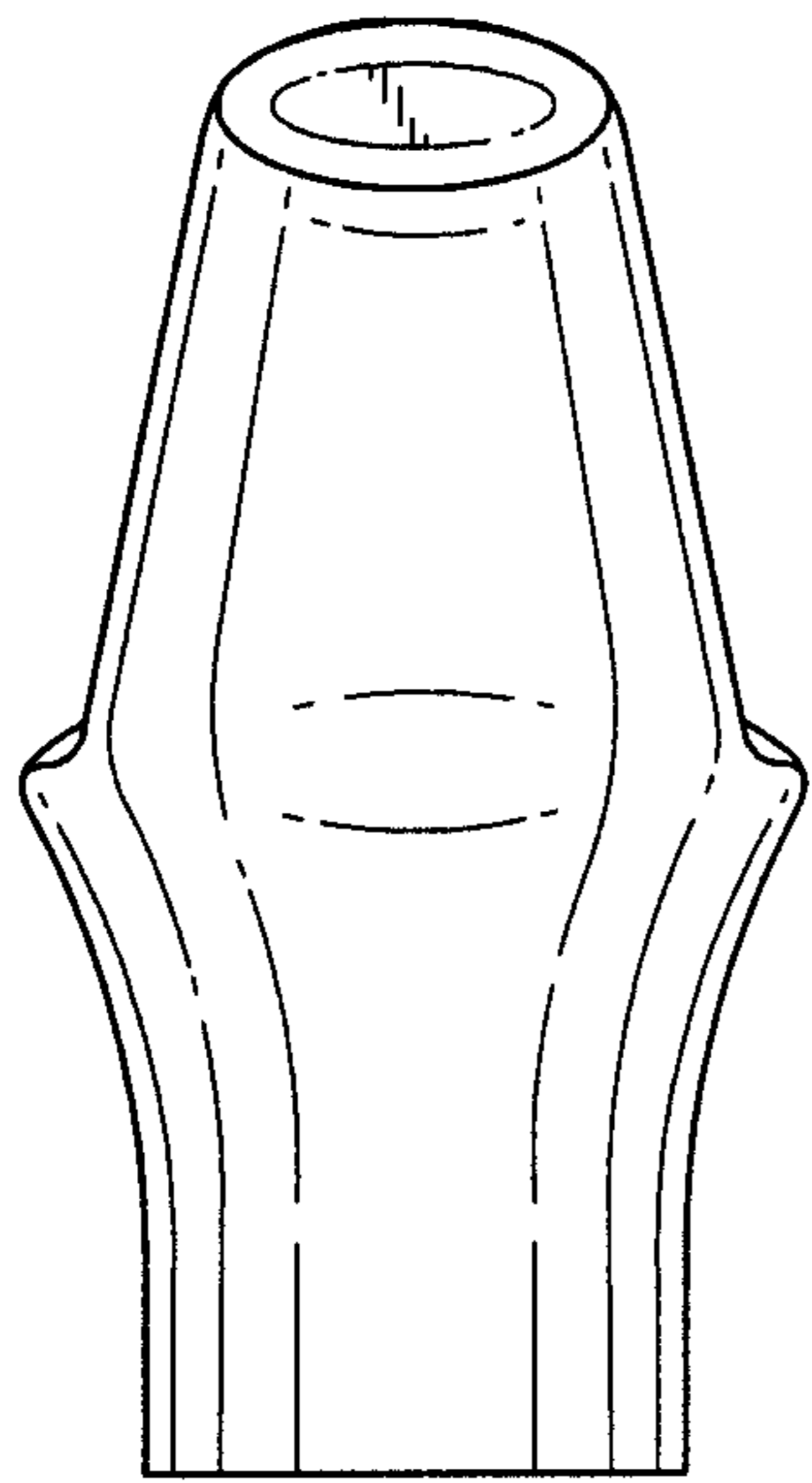


FIG. 2

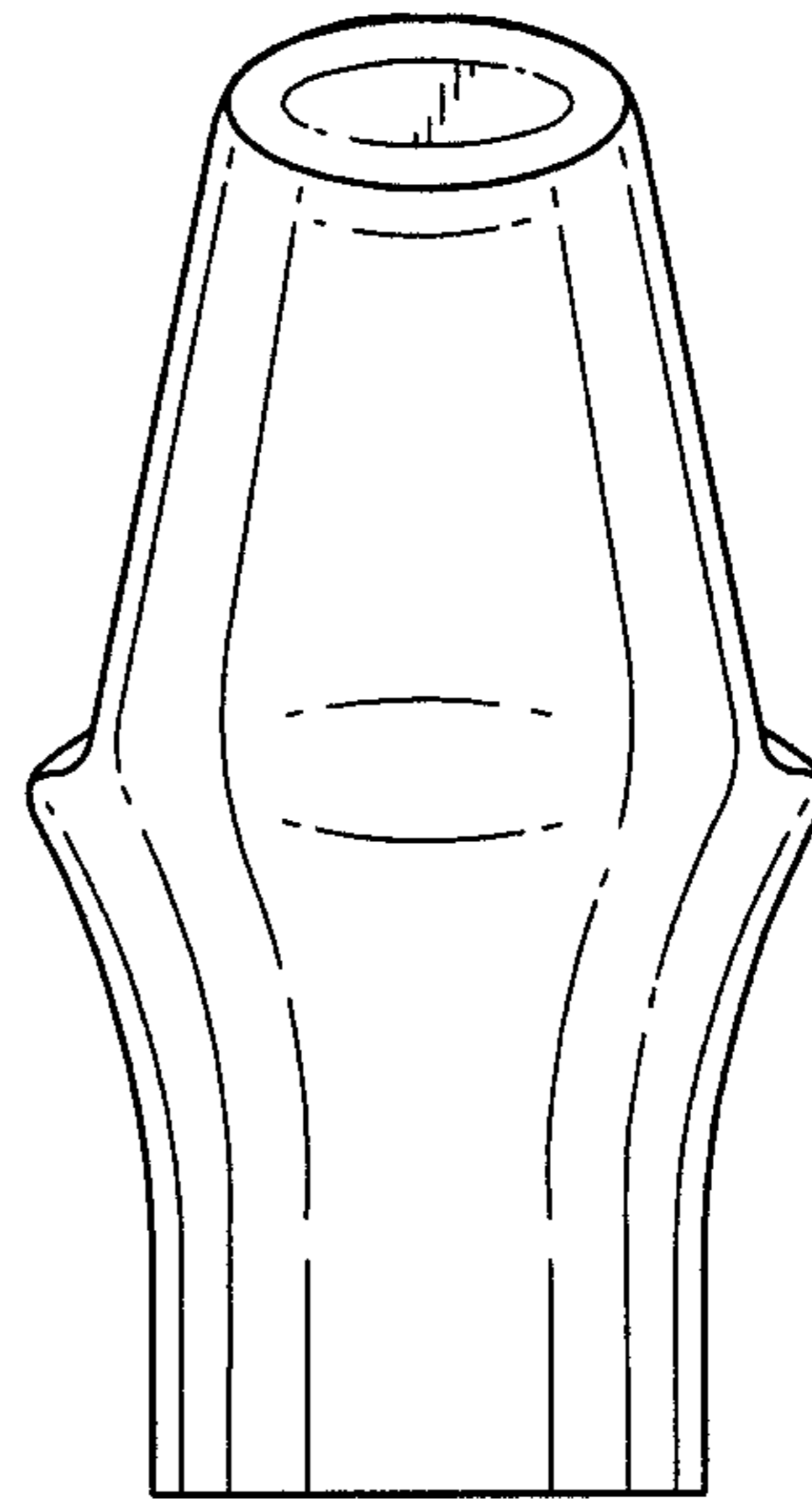


FIG. 3

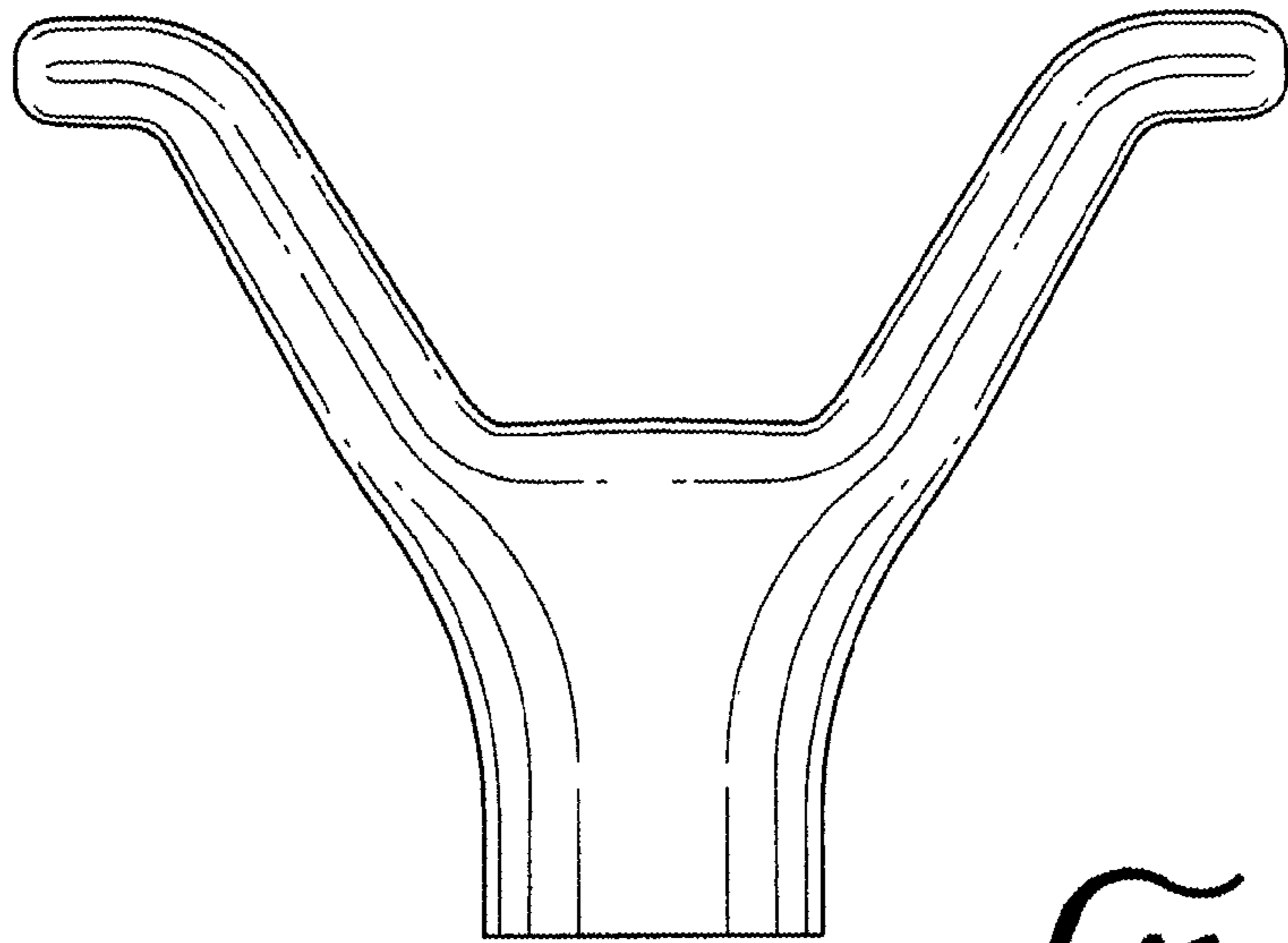


FIG. 4

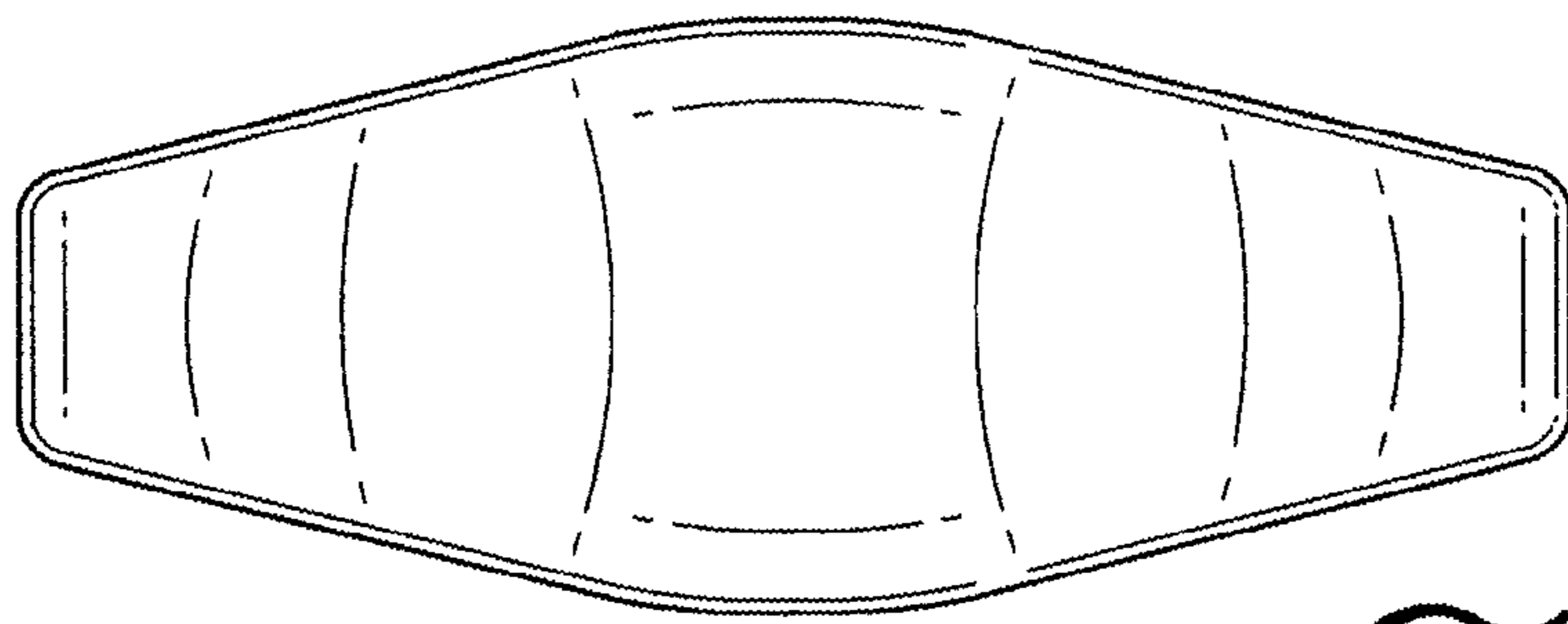


FIG. 5

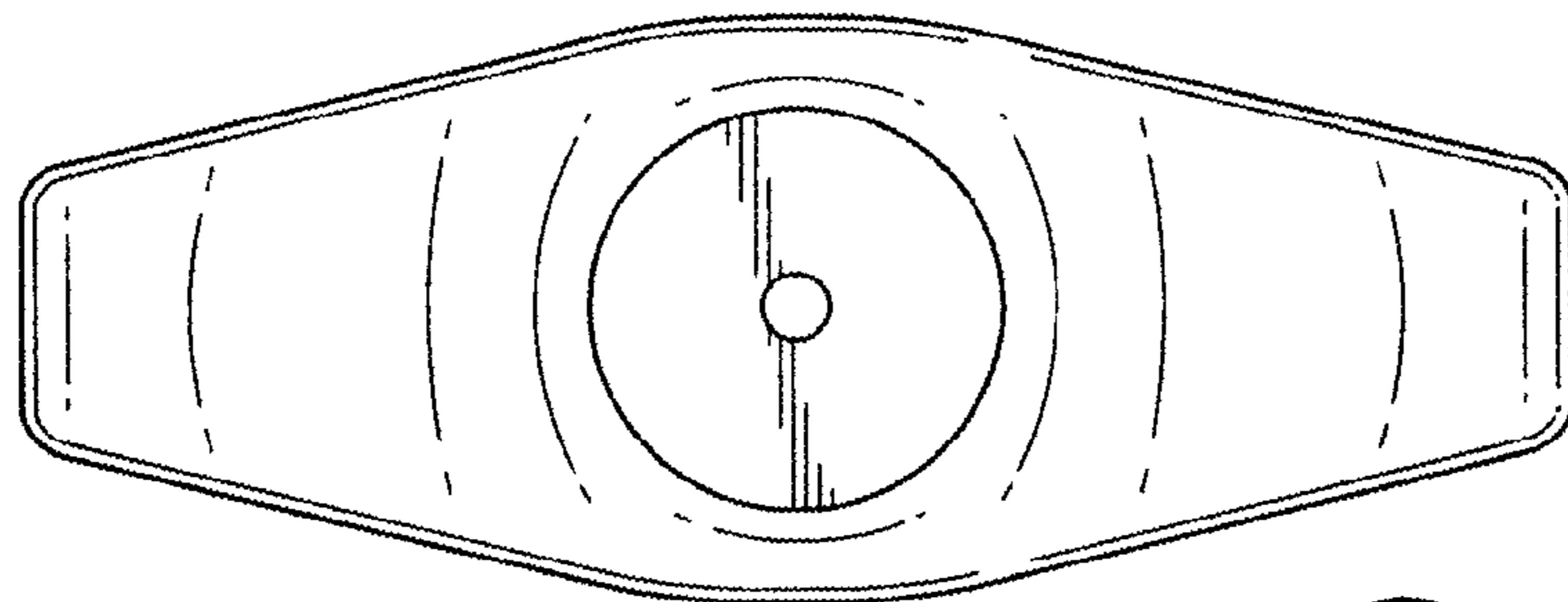


FIG. 6

