



US00D712196S

(12) **United States Design Patent**  
**Ho et al.**

(10) **Patent No.:** **US D712,196 S**

(45) **Date of Patent:** **\*\* Sep. 2, 2014**

(54) **BLENDER**

(56) **References Cited**

(71) Applicants: **Wei-Teh Ho**, Taipei (TW); **Willy Ho**,  
Taipei (TW)

U.S. PATENT DOCUMENTS

(72) Inventors: **Wei-Teh Ho**, Taipei (TW); **Willy Ho**,  
Taipei (TW)

D372,835 S *	8/1996	Leverrier .....	D7/372
D423,872 S *	5/2000	Blaise .....	D7/378
D487,668 S *	3/2004	Sands .....	D7/378
D501,756 S *	2/2005	Nikkhah .....	D7/413
D501,759 S *	2/2005	Sands .....	D7/536
D518,994 S *	4/2006	Lin .....	D7/378
D530,975 S *	10/2006	Fernandez .....	D7/378
D532,648 S *	11/2006	Sands .....	D7/376
D546,118 S *	7/2007	Sands .....	D7/376
D549,043 S *	8/2007	Beesley et al. ....	D7/378
D554,427 S *	11/2007	Sands .....	D7/378
D557,559 S *	12/2007	Sands .....	D7/413
D603,215 S *	11/2009	Hollinger .....	D7/386

(\*\*) Term: **14 Years**

(21) Appl. No.: **29/470,276**

(22) Filed: **Oct. 18, 2013**

(51) **LOC (10) Cl.** ..... **31-00**

(52) **U.S. Cl.**  
USPC ..... **D7/378**

(58) **Field of Classification Search**  
CPC ..... A47J 43/04; A47J 43/25; A47J 43/27;  
A47J 43/042; A47J 43/044; A47J 43/046;  
A47J 43/075; A47J 43/0722; A47J 43/0727;  
A23N 1/00; A23N 1/02; B02C 4/42; B02C  
4/142; B02C 4/143; B02C 4/423; B02C  
13/1835; B02C 2/04; B02C 1/08; B28C 5/10;  
B28C 5/12; B28C 5/14; B28C 5/16; A21C  
1/02; A21C 1/04; B01F 13/0059; B01F  
13/0064; B01F 3/0807; B01F 3/0853  
USPC ..... D7/372, 376-386, 412, 413, 536, 665;  
99/509-511; 241/101.01, 101.2,  
241/166-167, 169.1, 274-278.2,  
241/285.1-285.3, 291, 292.1; 366/64-65,  
366/97-98, 100, 197-201, 205-207,  
366/219-220, 341-344

See application file for complete search history.

\* cited by examiner

*Primary Examiner* — Ricky Pham

(74) *Attorney, Agent, or Firm* — Blakely Sokoloff Taylor &  
Zafman LLP

(57) **CLAIM**

The ornamental design for a blender, as shown and described.

**DESCRIPTION**

FIG. 1 is a perspective view showing the new design for a  
blender machine;

FIG. 2 is a front view thereof;

FIG. 3 is rear view thereof;

FIG. 4 is a right side view thereof;

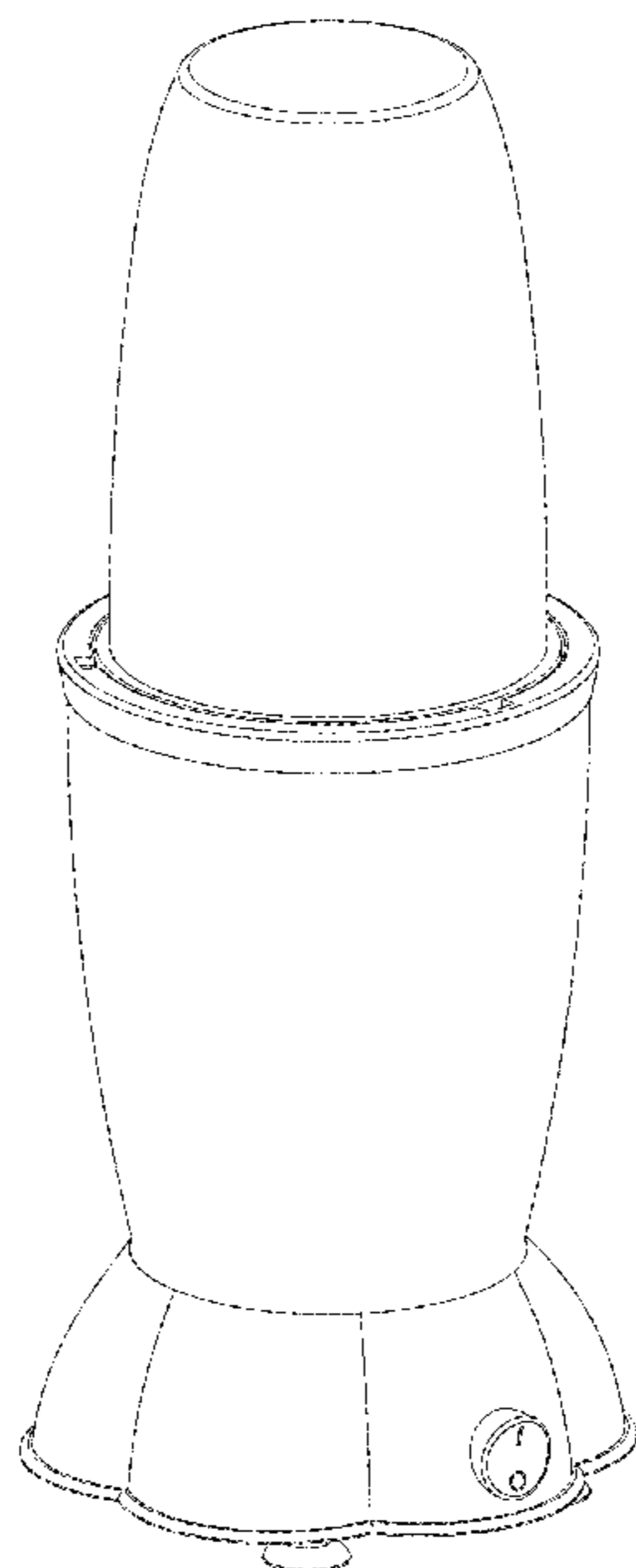
FIG. 5 is a left side view thereof;

FIG. 6 is a top view thereof; and,

FIG. 7 is a bottom view thereof.

The broken lines shown in the drawings are for illustrative  
purposes only and form no part of the claimed design.

**1 Claim, 7 Drawing Sheets**



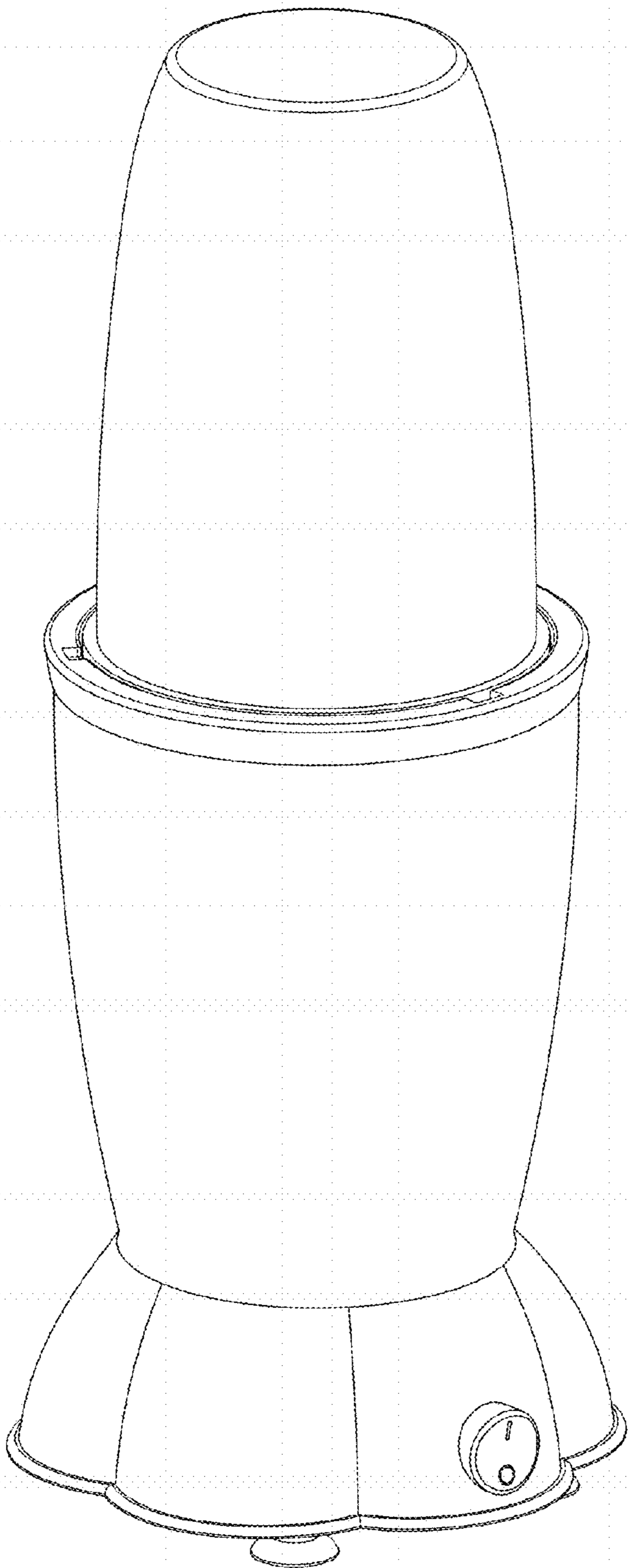


FIG.1

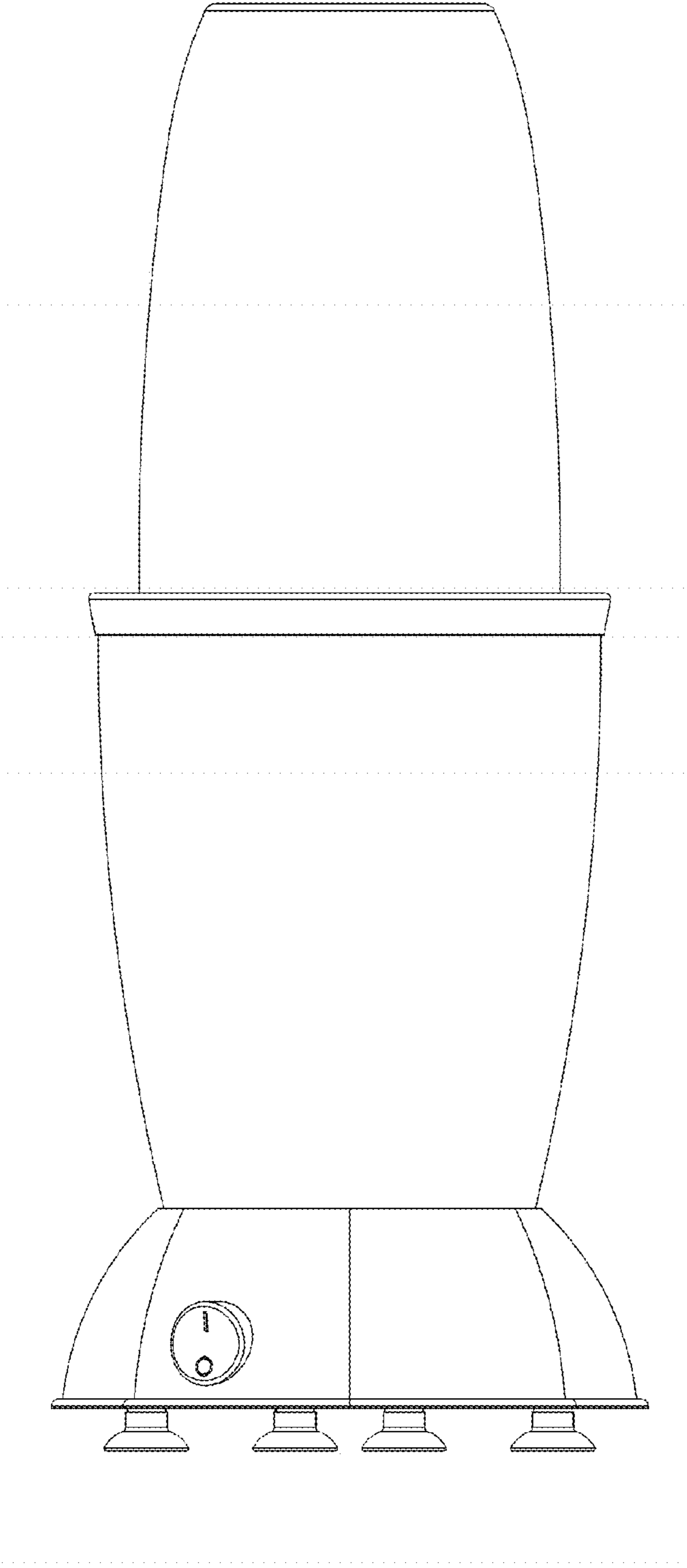


FIG.2

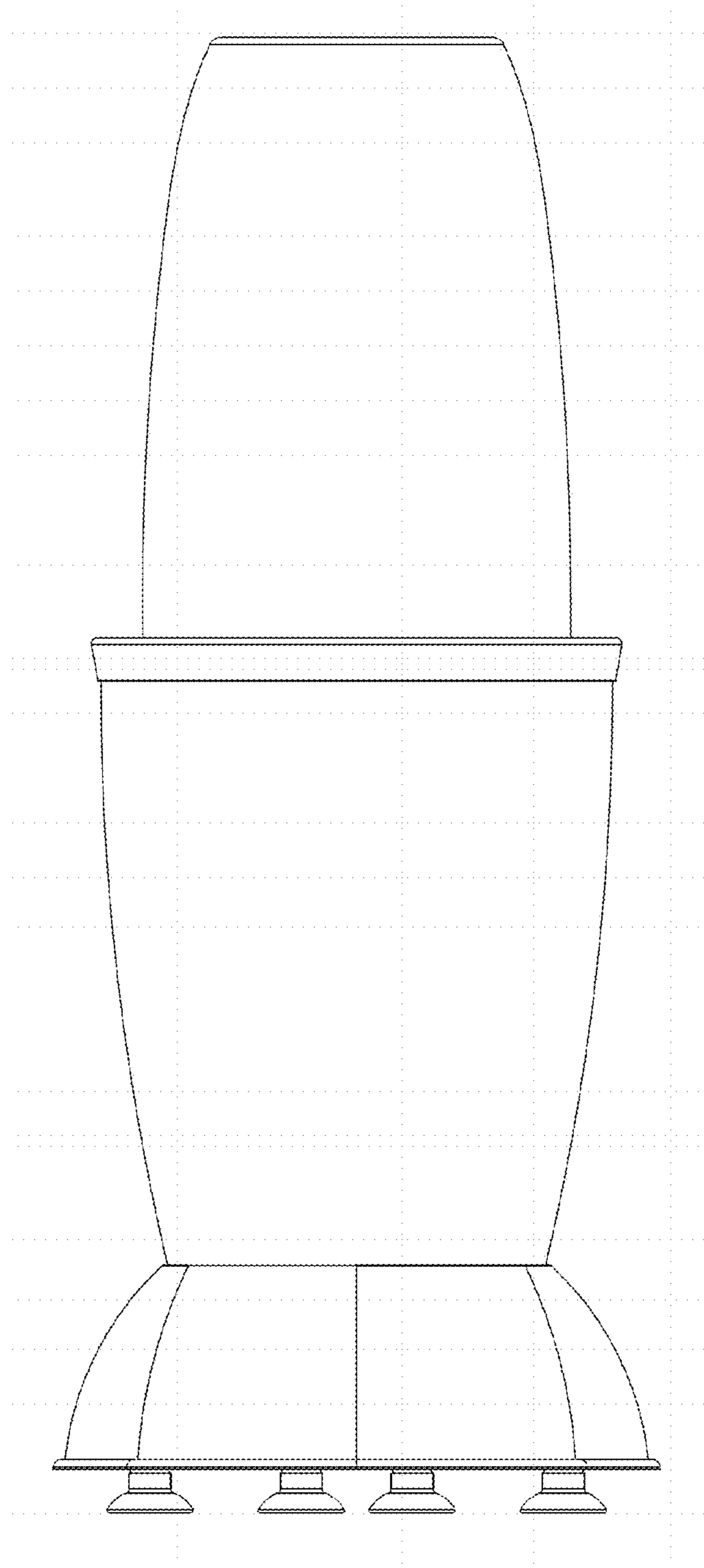


FIG.3

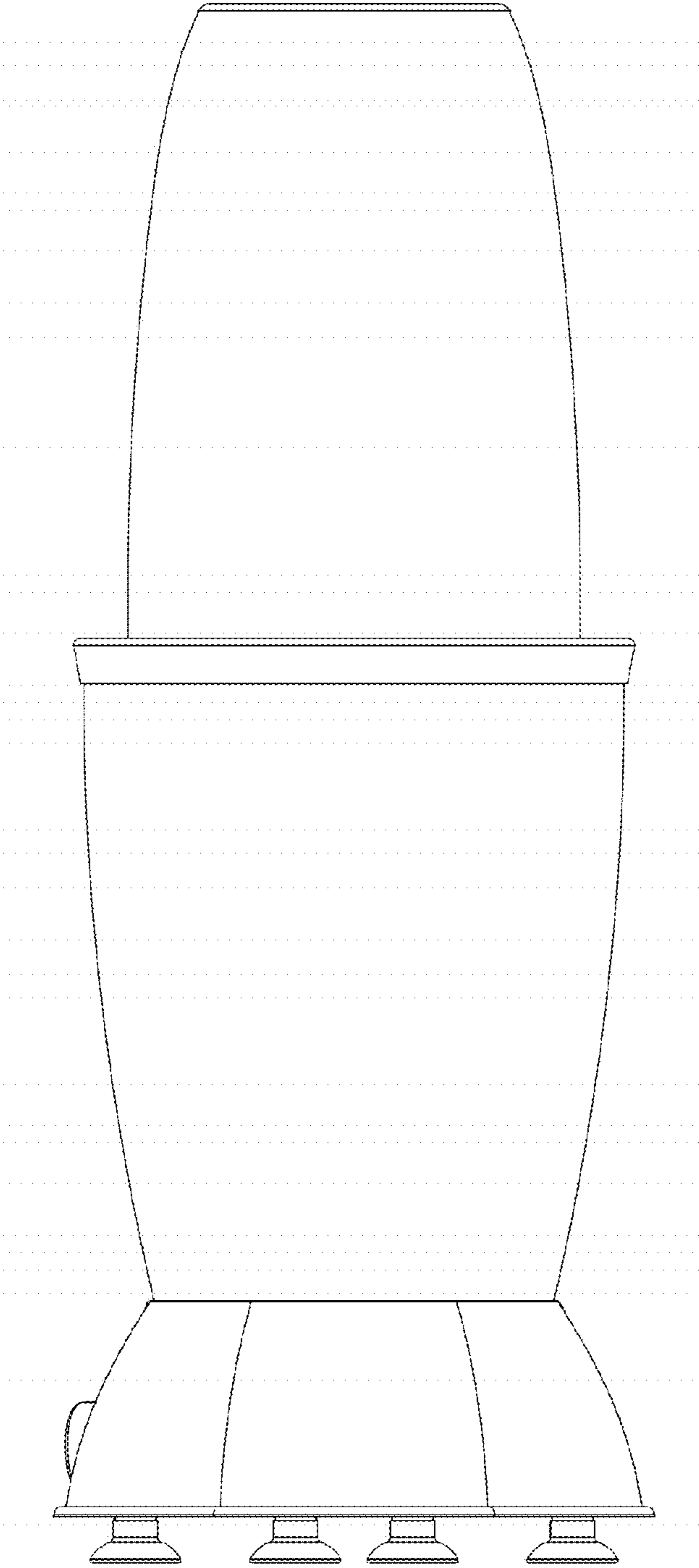


FIG.4

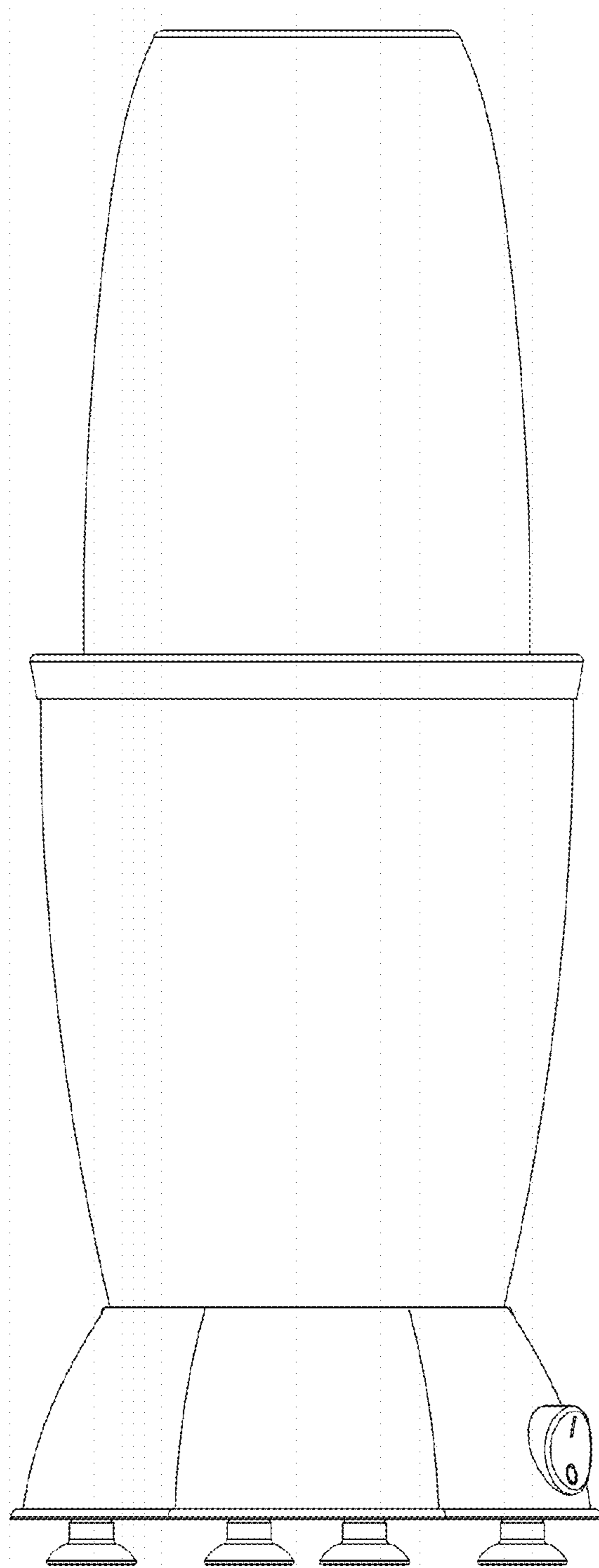


FIG.5

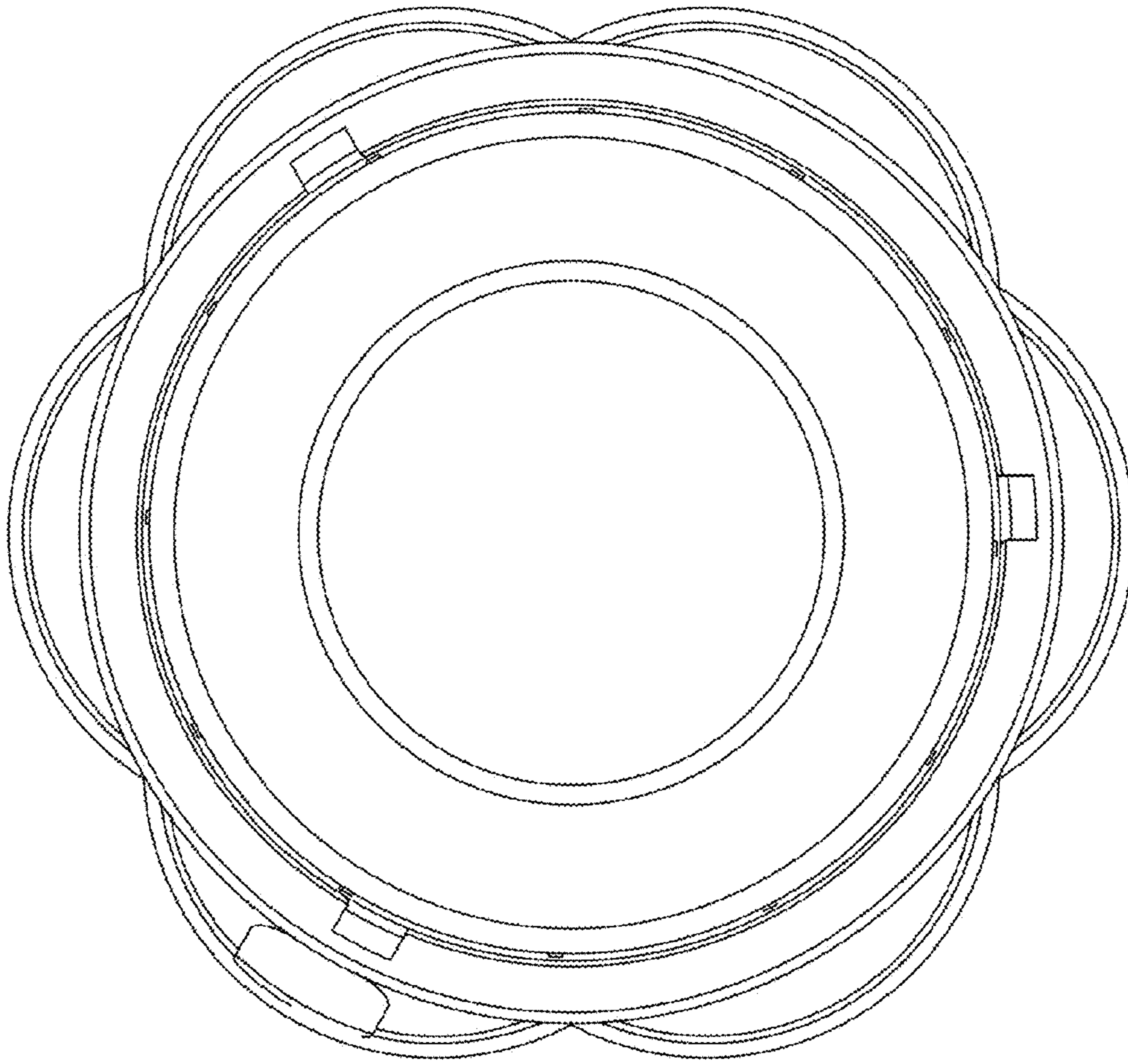


FIG.6

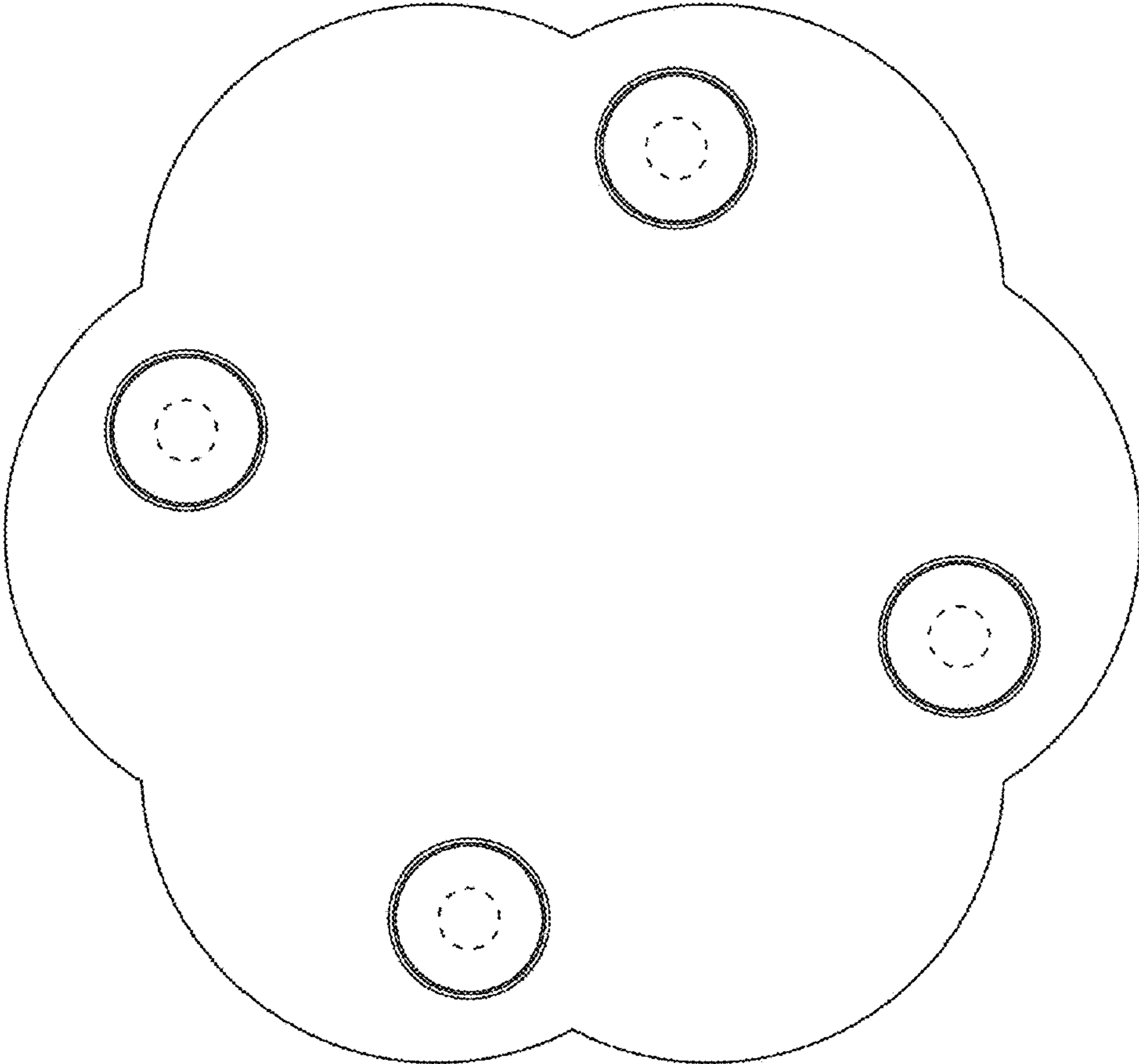


FIG. 7