



US00D712195S

(12) **United States Design Patent**
Kidwell

(10) **Patent No.:** **US D712,195 S**

(45) **Date of Patent:** **** Sep. 2, 2014**

(54) **STOVE POT**

(71) Applicant: **Vaughan Kidwell**, Valrico, FL (US)

(72) Inventor: **Vaughan Kidwell**, Valrico, FL (US)

(73) Assignees: **Vaughan Kidwell**, Valrico, FL (US);
David Kidwell, Valrico, FL (US);
Gwendolene Kidwell, Alpharetta, GA (US)

(**) Term: **14 Years**

(21) Appl. No.: **29/470,748**

(22) Filed: **Oct. 24, 2013**

(51) **LOC (10) Cl.** **07-02**

(52) **U.S. Cl.**
USPC **D7/361; D7/354**

(58) **Field of Classification Search**
CPC A47G 19/12; A47J 27/00; A47J 27/002;
A47J 27/08; A47J 27/21; A47J 27/58; A47J
36/025; A47J 36/06; A47J 36/12; A47J 37/00;
A47J 37/10; A47J 37/101; A47J 37/103;
A47J 37/12; A47J 37/1204; A47J 45/061;
A47J 45/071; A47J 45/08; H05B 6/12
USPC D7/318-319, 323, 354-361, 376, 391,
D7/393-395, 413, 691; D18/34.5; 99/324,
99/339, 403, 425-426, 444-445;
126/373.1, 383.1-384.1, 390.1;
219/620-622; 220/573.1-573.5,
220/752-753, 755-759, 912; 222/129,
222/465.1, 470, 475.1

See application file for complete search history.

(56) **References Cited**

U.S. PATENT DOCUMENTS

D163,117	S	*	5/1951	Hobbs	D7/318
3,362,590	A	*	1/1968	Martin	222/465.1
D437,192	S	*	2/2001	Verherbrugghen et al.	...	D7/691
D552,916	S	*	10/2007	Bodum	D7/318
D588,406	S	*	3/2009	Ulanski	D7/413
D592,446	S	*	5/2009	Berlencourt	D7/376
D607,043	S	*	12/2009	Kim et al.	D18/34.5
D625,947	S	*	10/2010	Olson et al.	D7/319
D646,522	S	*	10/2011	Collinson	D7/376
D661,947	S	*	6/2012	Conti et al.	D7/413
D662,359	S	*	6/2012	Boozer et al.	D7/413
2009/0032551	A1	*	2/2009	McGinley et al.	222/129
2009/0045229	A1	*	2/2009	McGinley et al.	222/465.1

* cited by examiner

Primary Examiner — Ricky Pham

(74) *Attorney, Agent, or Firm* — Dale J. Ream

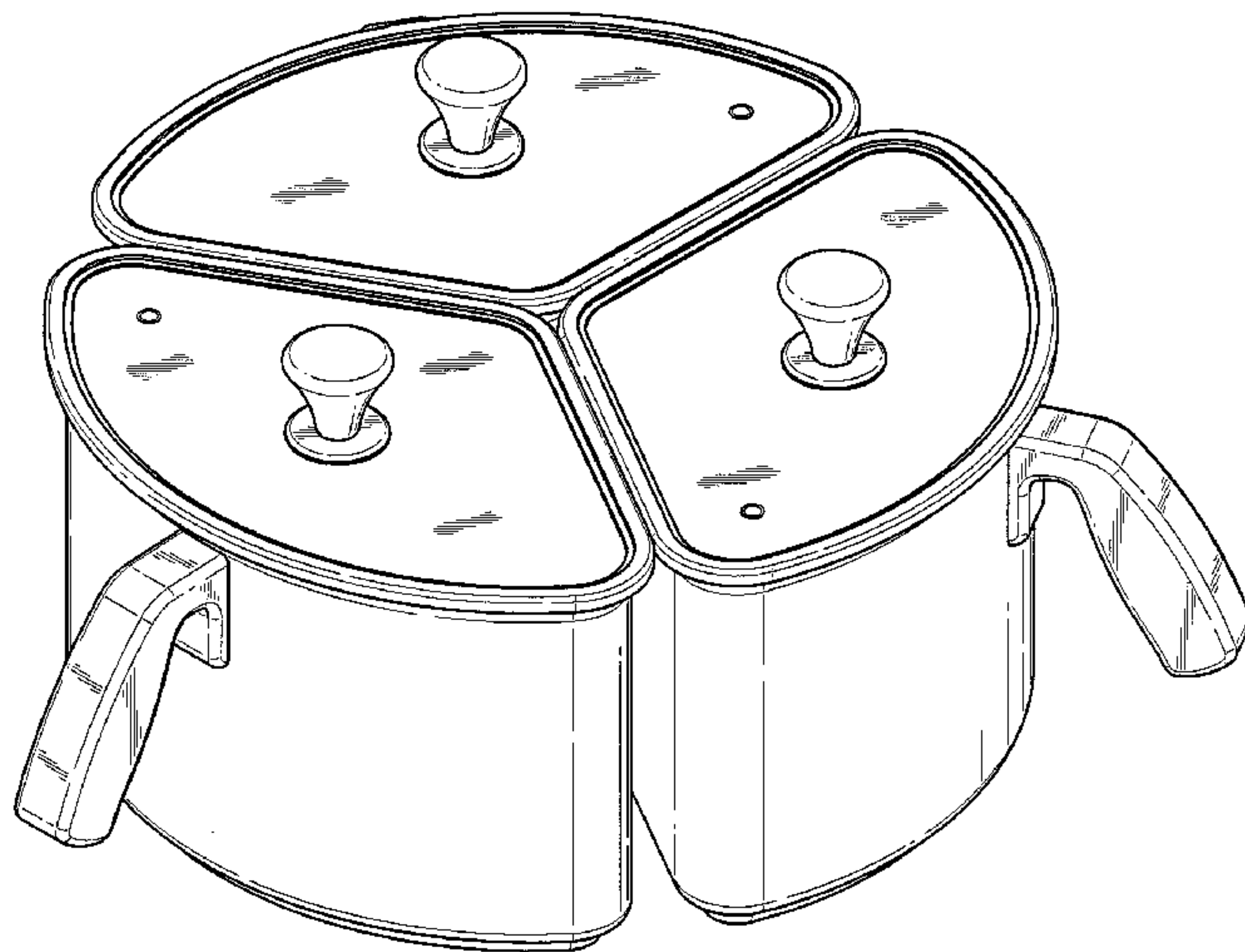
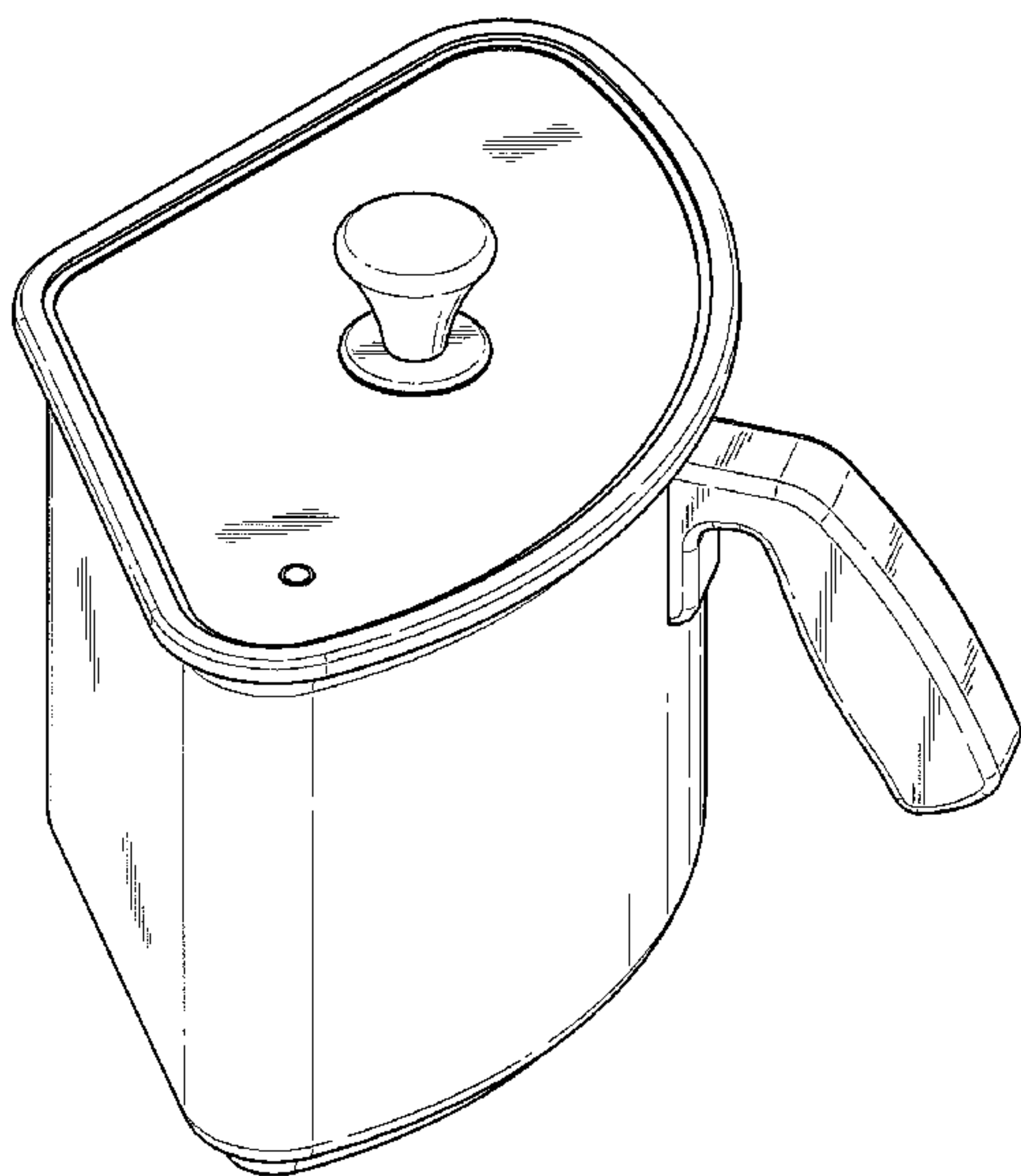
(57) **CLAIM**

The ornamental design for a stove pot, as shown and described.

DESCRIPTION

FIG. 1 is a perspective view of a stove pot showing my new design;
FIG. 2 is a front view thereof;
FIG. 3 is a back view thereof;
FIG. 4 is a right side view thereof;
FIG. 5 is a left side view thereof;
FIG. 6 is a top view thereof; and
FIG. 7 is a bottom view thereof; and,
FIG. 8 is a perspective of a stove pot of the present invention in use with other identical stove pots.

1 Claim, 8 Drawing Sheets



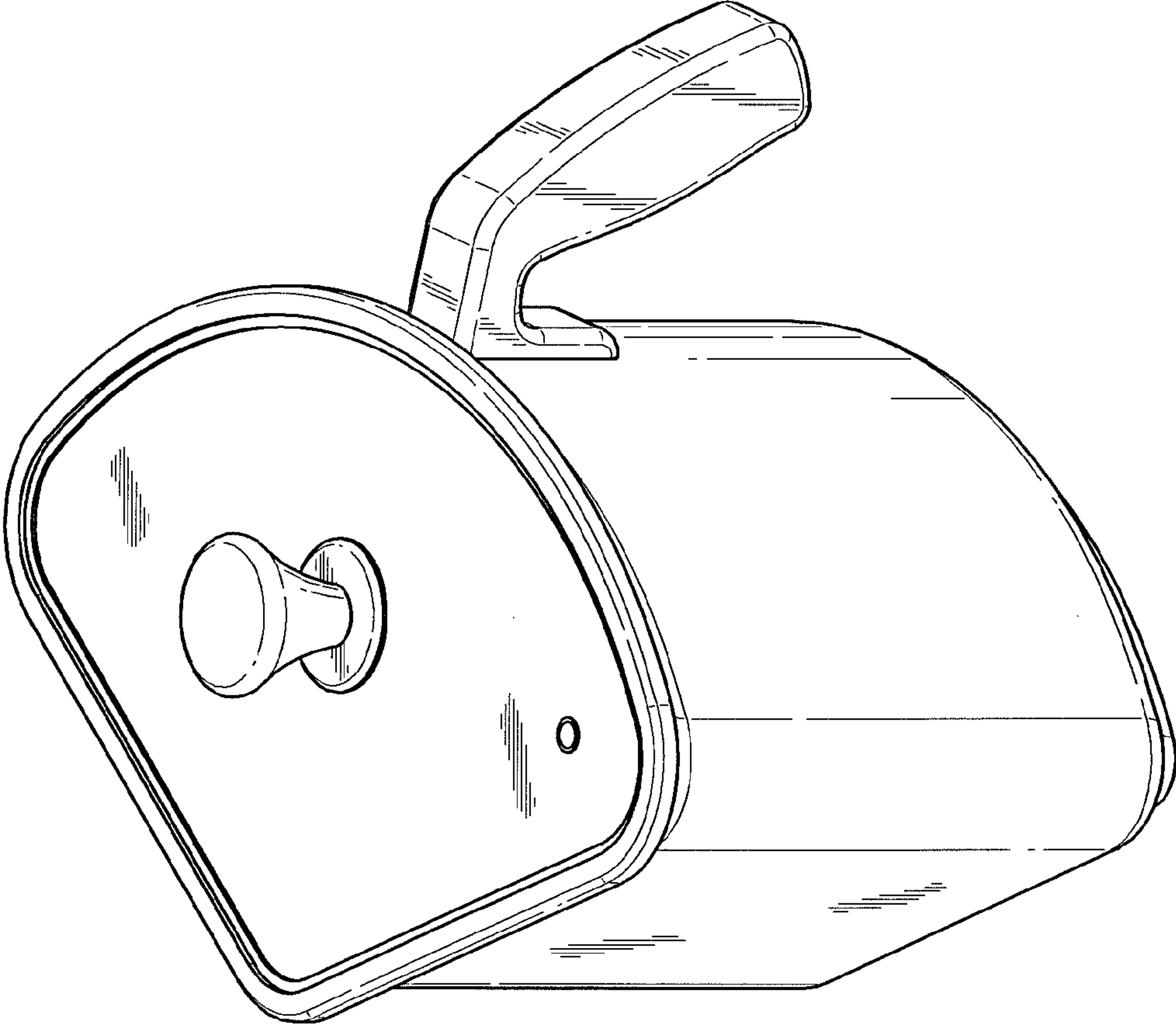


FIG. 1

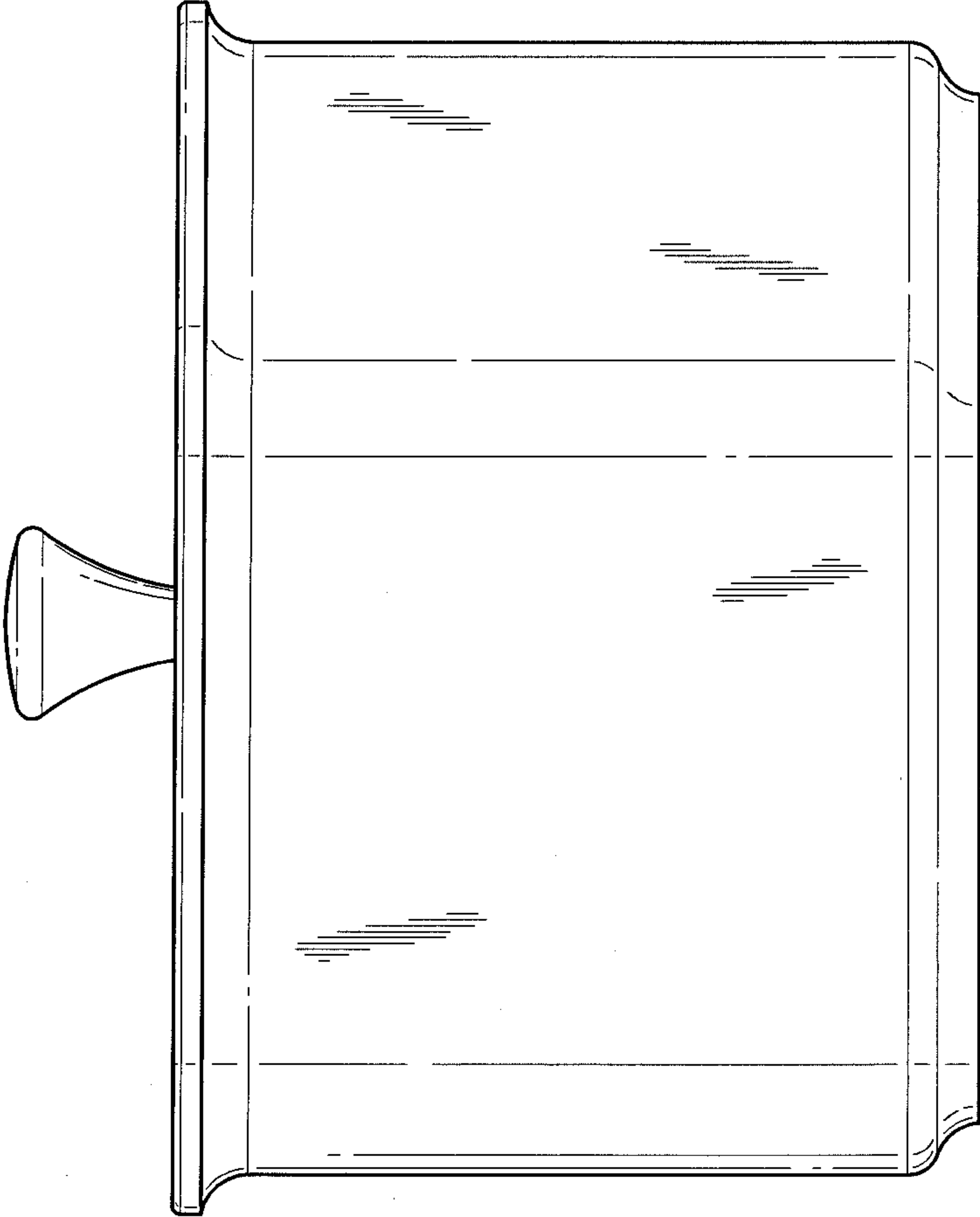


FIG. 2

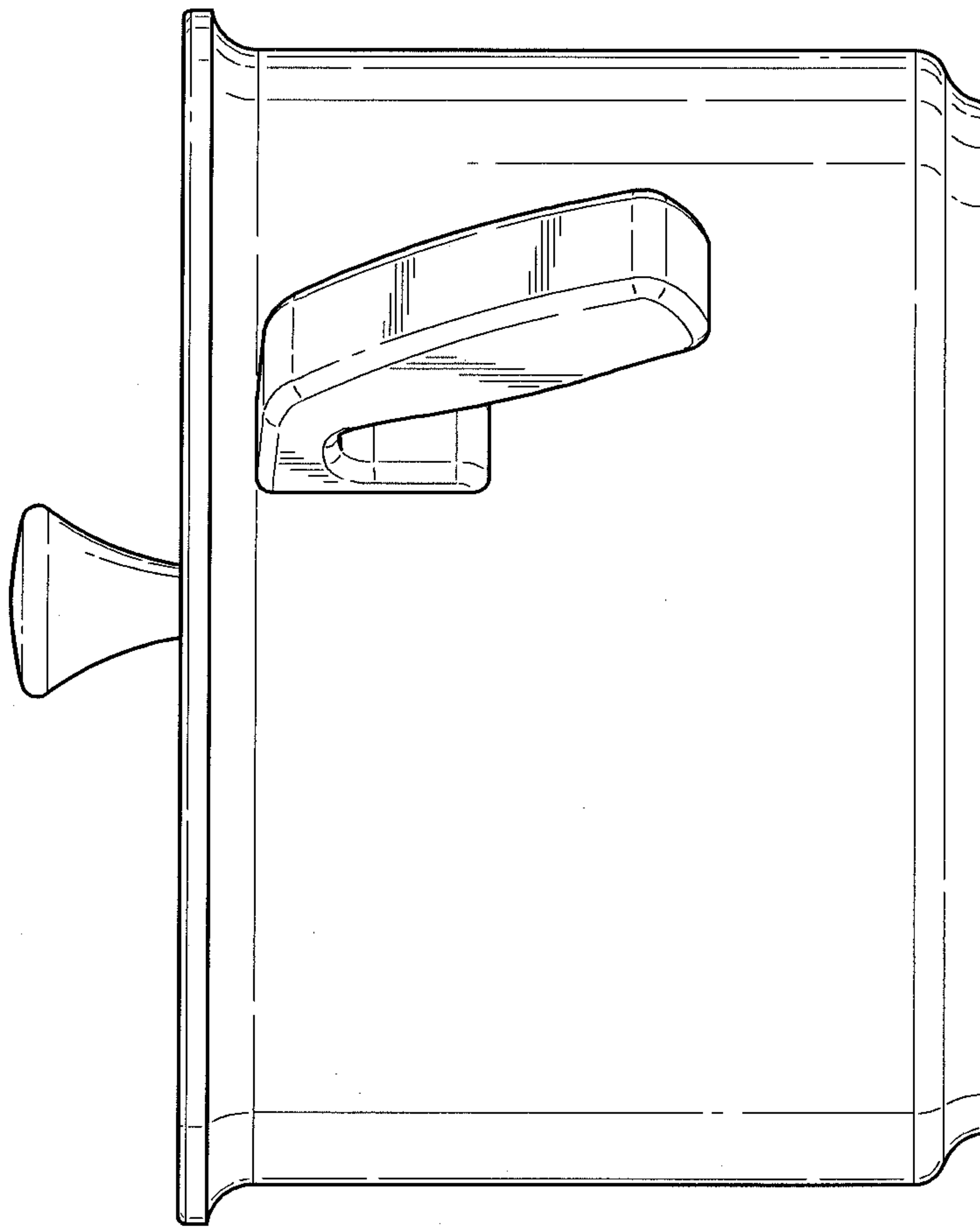


FIG. 3

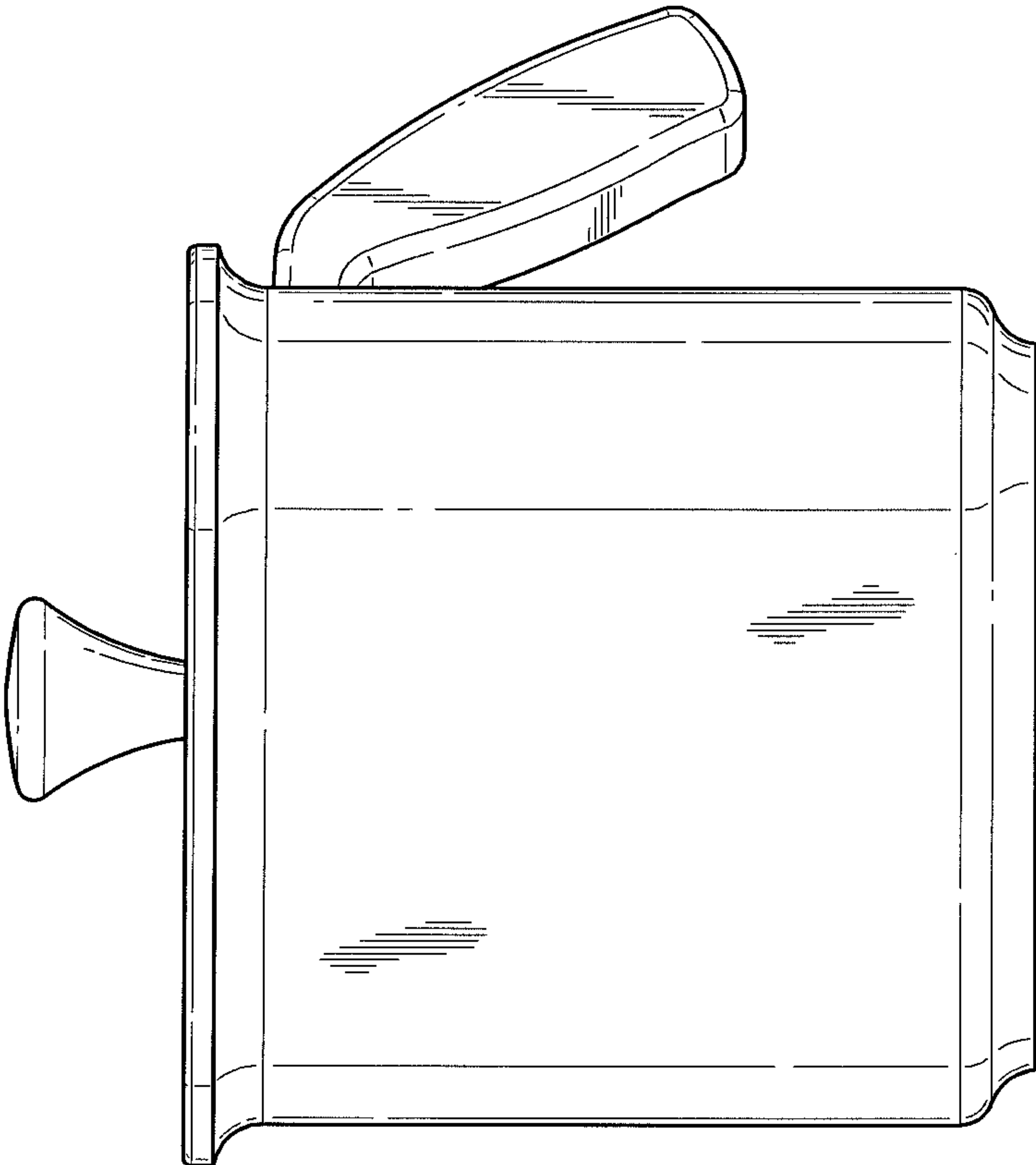


FIG. 4

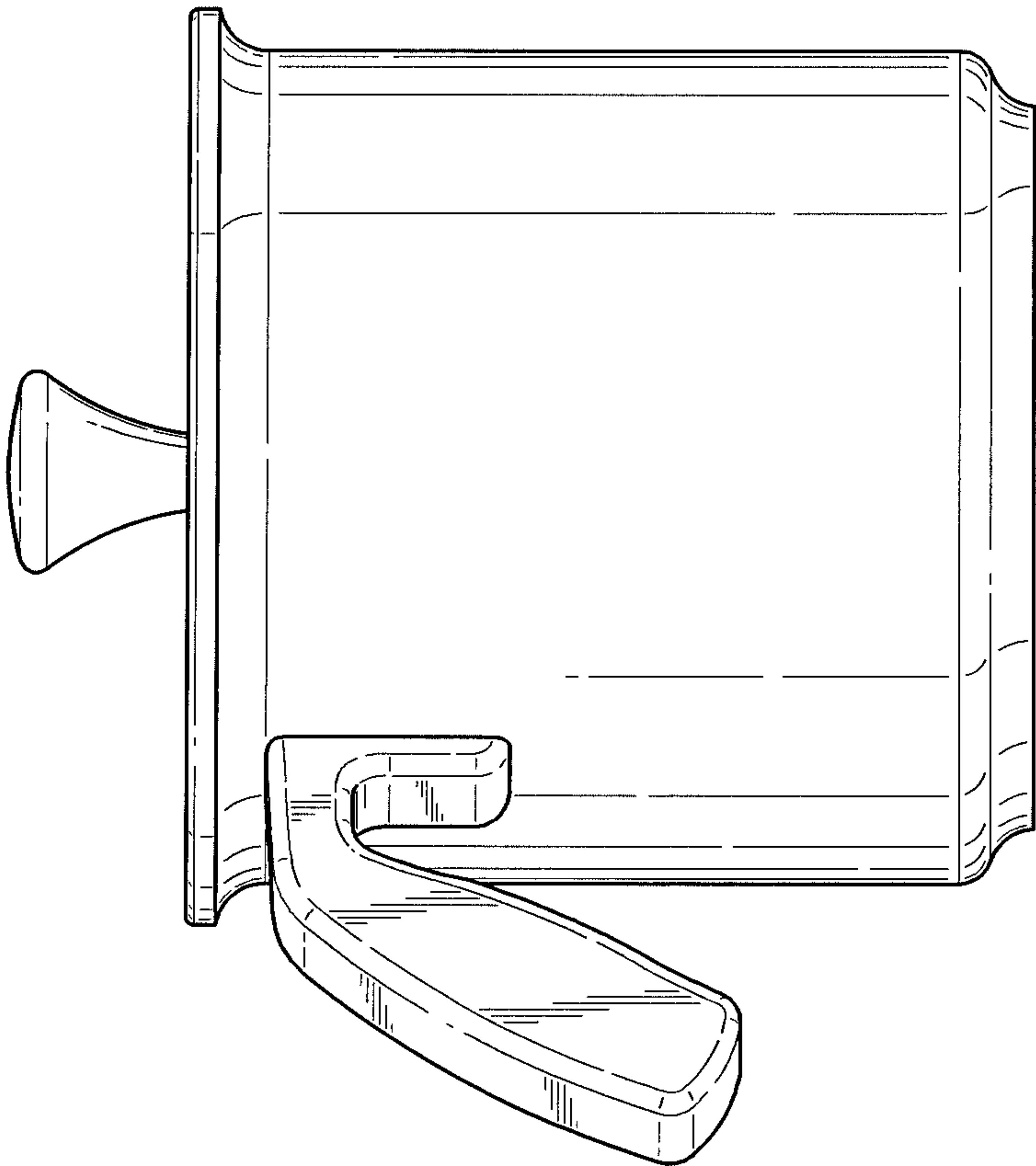


FIG. 5

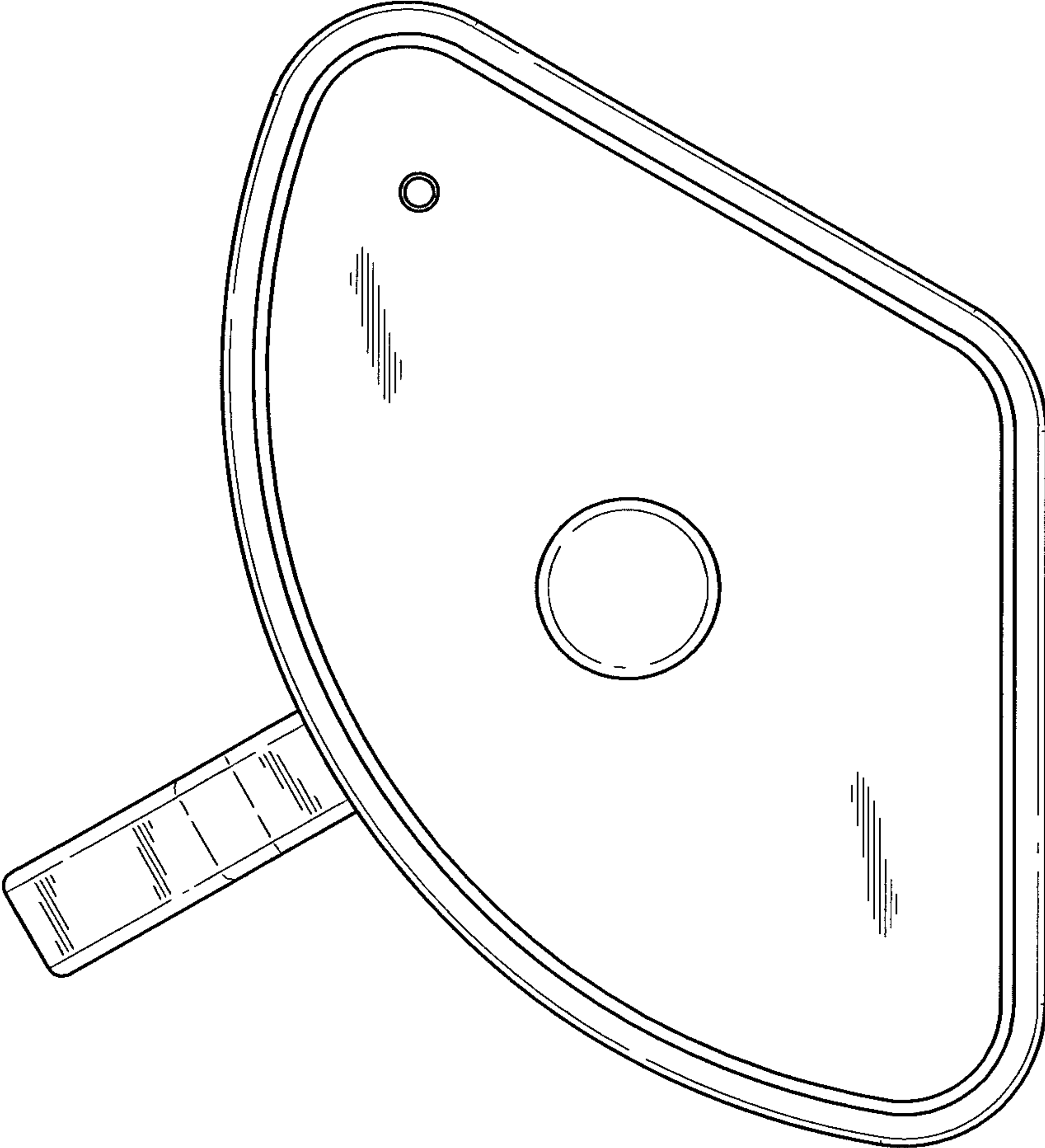


FIG. 6

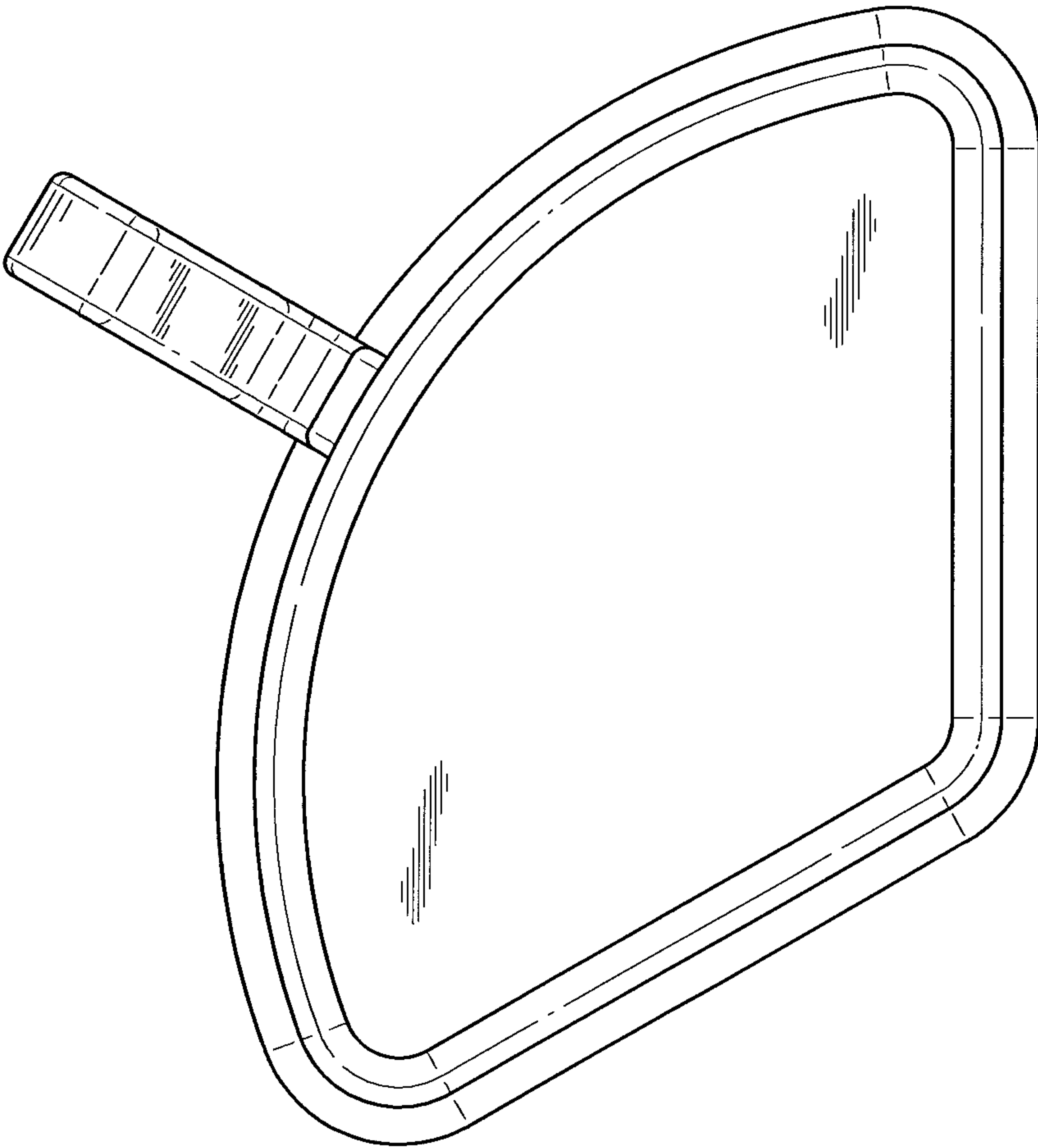


FIG. 7

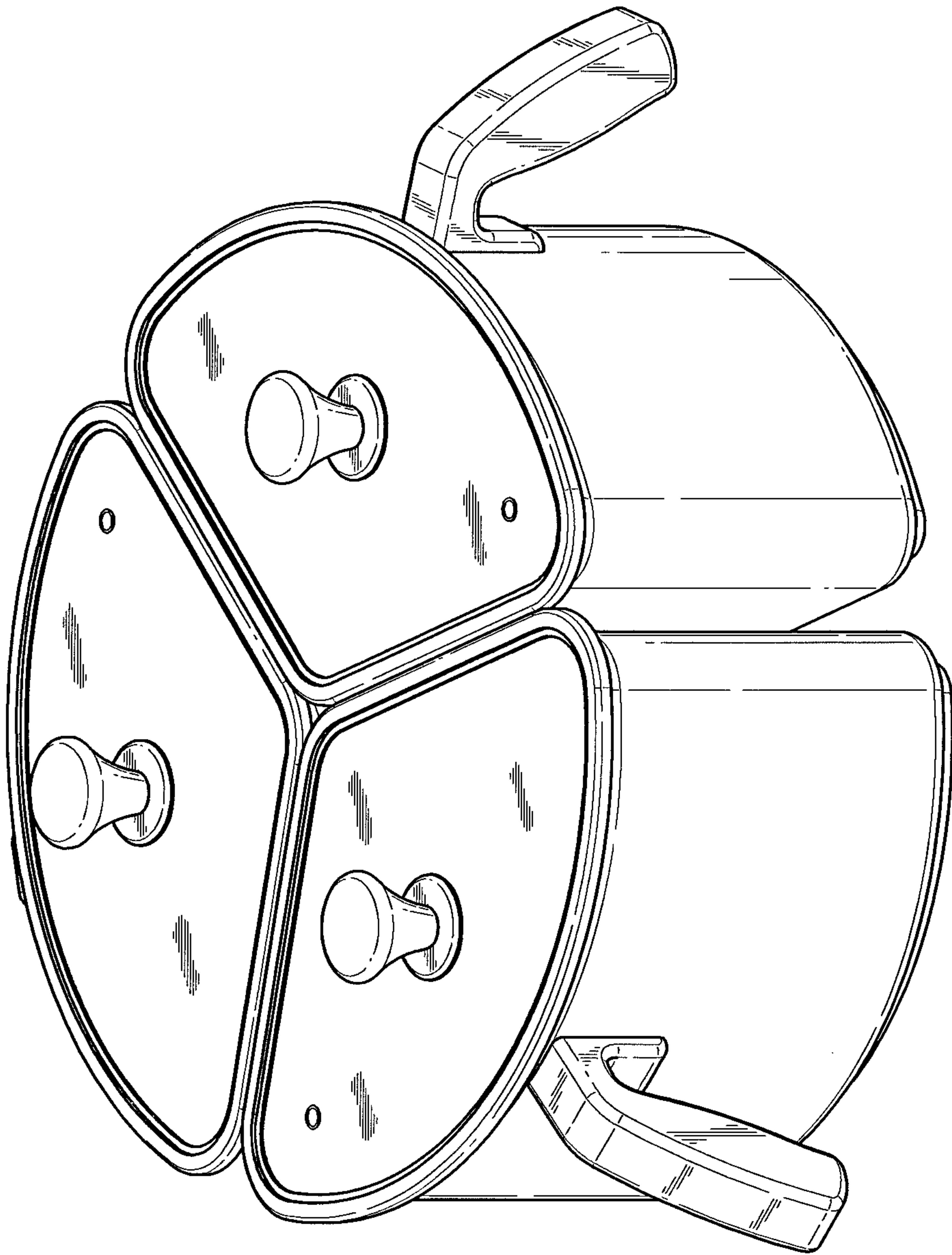


FIG. 8