



US00D712194S

(12) **United States Design Patent**  
**Thonis**

(10) **Patent No.:** **US D712,194 S**  
(45) **Date of Patent:** **\*\* Sep. 2, 2014**

- (54) **COOKING PAN**
- (71) Applicant: **Lenox Corporation**, Bristol, PA (US)
- (72) Inventor: **Paul Thonis**, New Hope, PA (US)
- (73) Assignee: **Lenox Corporation**, Bristol, PA (US)
- (\*\*) Term: **14 Years**
- (21) Appl. No.: **29/462,645**
- (22) Filed: **Aug. 6, 2013**
- (51) **LOC (10) Cl.** ..... **07-02**
- (52) **U.S. Cl.**  
USPC ..... **D7/361; D7/354**
- (58) **Field of Classification Search**  
USPC ..... D7/323, 329-332, 337-339, 346-347,  
D7/350.1-350.4, 353-367, 388-395,  
D7/402-409, 538, 542-543, 552.1-552.2,  
D7/553.3, 554.3, 586, 602, 629, 665, 698,  
D7/701; 99/324-325, 330-332, 337-343,  
99/366-369, 393, 400-418, 422, 426,  
99/444-450, 476; 126/9 B, 25 AA, 25 R,  
126/30, 37 R, 41 R, 168, 261, 337 R, 378.1,  
126/390.1; 206/335, 470, 508;  
219/368-387, 392, 400, 405, 429-442,  
219/452.11, 620-624, 725, 730-735;  
220/23.2, 314-315, 486, 573.1-573.5,  
220/592.16, 657, 792, 912; 249/121-126;  
426/124, 511  
See application file for complete search history.

(56) **References Cited**

**U.S. PATENT DOCUMENTS**

- D453,092 S \* 1/2002 Coudurier ..... D7/361
- D477,967 S \* 8/2003 Burton et al. .... D7/395
- D482,233 S \* 11/2003 Rae ..... D7/393
- D559,032 S \* 1/2008 Kellermann et al. .... D7/354

- D579,714 S \* 11/2008 Cheng et al. .... D7/360
- D580,214 S \* 11/2008 Dodane ..... D7/361
- D581,721 S \* 12/2008 Rae ..... D7/360
- D587,519 S \* 3/2009 Cheng et al. .... D7/360

(Continued)

**OTHER PUBLICATIONS**

Paul Thonis, "Kobensstyle Timeline," Lenox Corporation, internal memo (pertinent portions), 2012, 4 pages.

(Continued)

*Primary Examiner* — Ricky Pham

(57) **CLAIM**

I claim the ornamental design for a cooking pan, as shown and described.

**DESCRIPTION**

FIG. 1 is a front perspective view of my new design for a cooking pan, featuring the top, front sides and right sides thereof;

FIG. 2 is a front elevational view thereof;

FIG. 3 is a rear elevational view thereof;

FIG. 4 is a left side elevational view thereof;

FIG. 5 is a right side elevational view thereof;

FIG. 6 is a top plan view thereof;

FIG. 7 is a bottom plan view thereof;

FIG. 8 is a front perspective view of a second embodiment of my new design for a cooking pan, featuring the top, front and right sides thereof;

FIG. 9 is a front elevational view thereof;

FIG. 10 is a rear elevational view thereof;

FIG. 11 is a left side elevational view thereof;

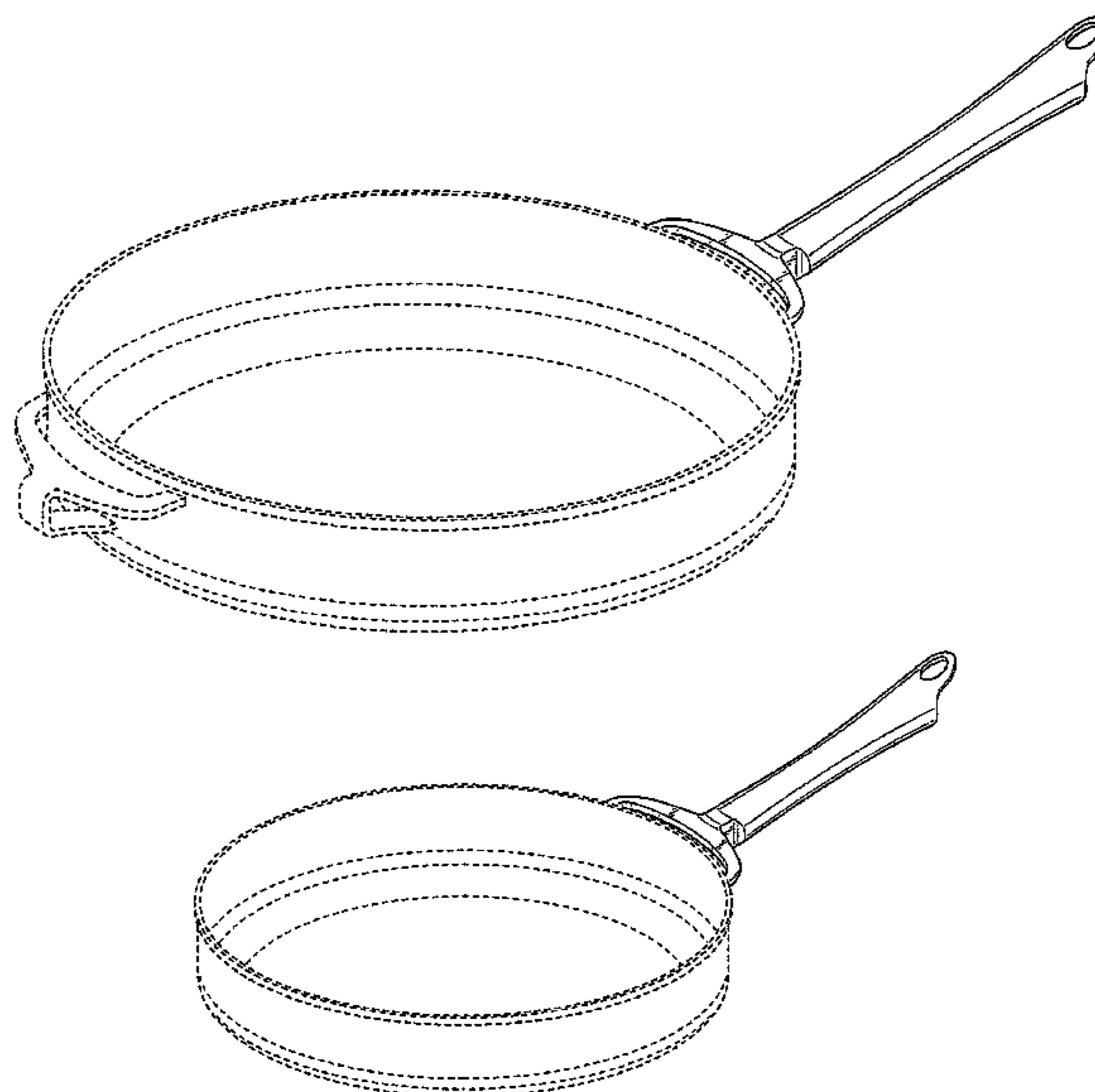
FIG. 12 is a right side elevational view thereof;

FIG. 13 is a top plan view thereof; and,

FIG. 14 is a bottom plan view thereof.

The broken lines shown in the drawings are for illustrative purposes only and form no part of the claimed design.

**1 Claim, 10 Drawing Sheets**



(56)

**References Cited**

U.S. PATENT DOCUMENTS

D621,652 S \* 8/2010 Dodane ..... D7/354  
D639,604 S \* 6/2011 Degnan ..... D7/361  
D656,358 S \* 3/2012 Cloutier et al. .... D7/361  
D677,516 S \* 3/2013 Cloutier ..... D7/361  
D693,637 S \* 11/2013 Sweet et al. .... D7/395

OTHER PUBLICATIONS

Kobenstyle 9.5" Skillet, 1 page, Danish and French production, prior to 2000. Photos by Paul Thonis, 2012.

Kobenstyle 2 Quart Covered Saucepan, 1 page, French production, prior to 2000. Photos by Paul Thonis, 2012.

\* cited by examiner

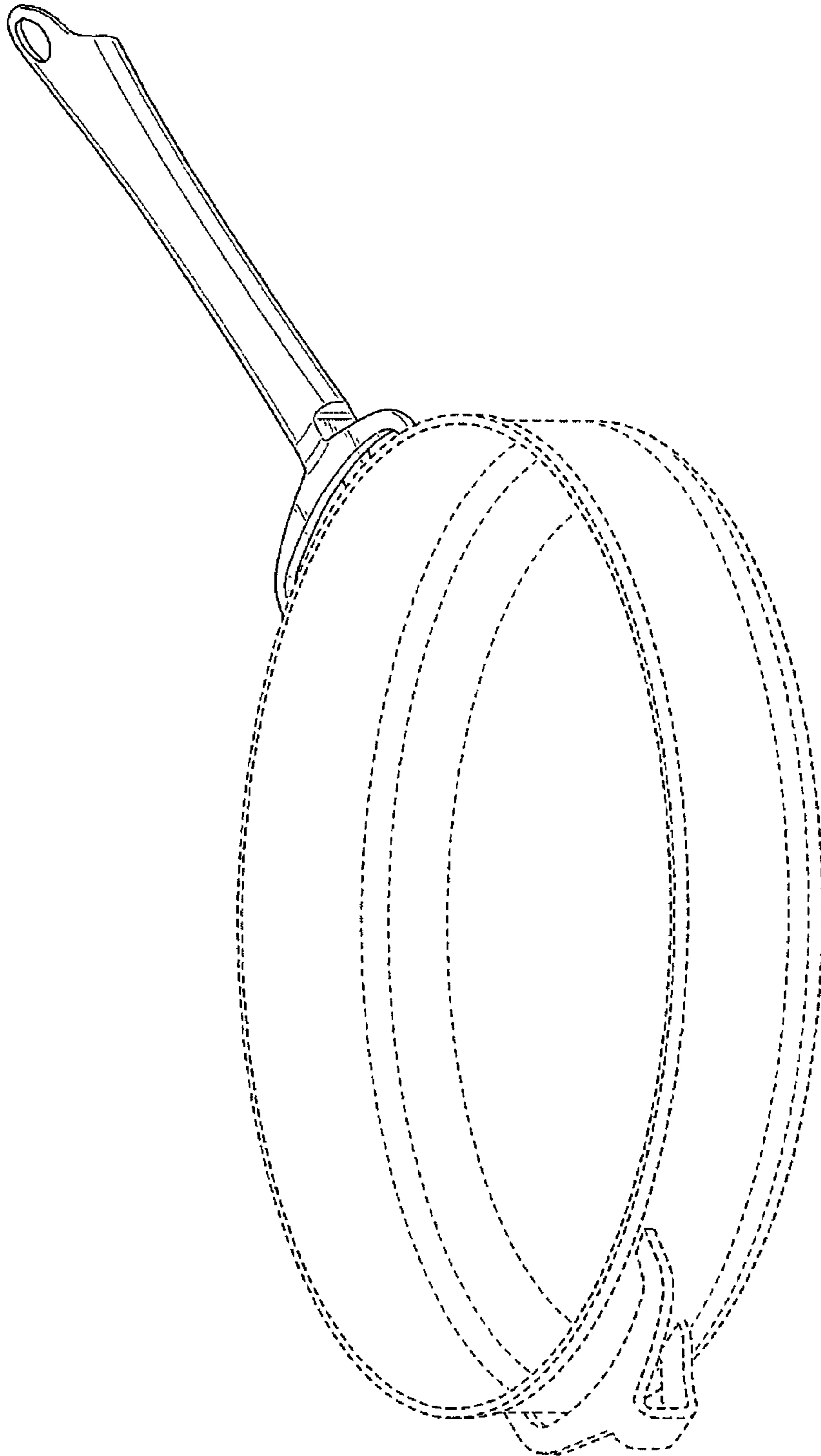


FIG. 1

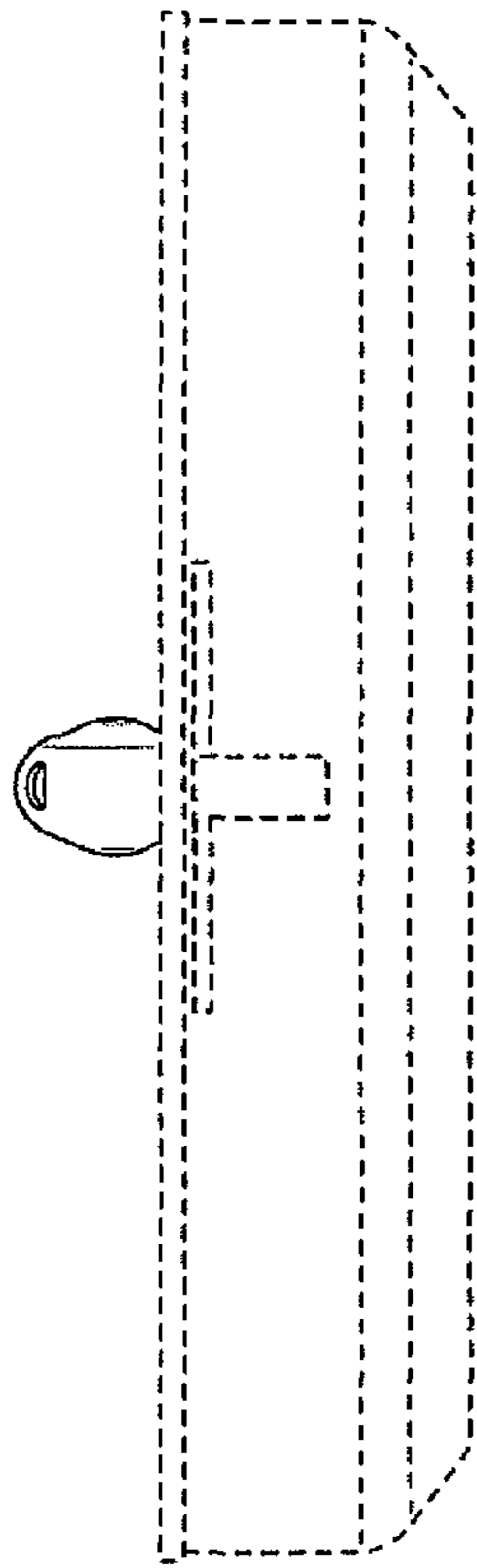


FIG. 2

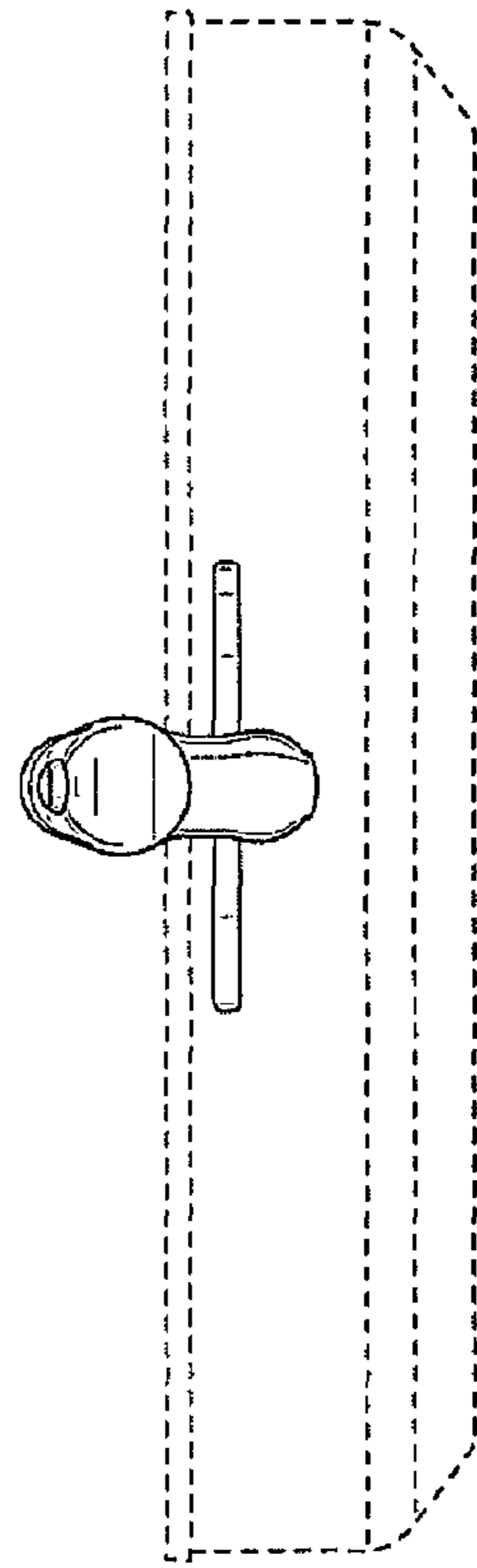


FIG. 3

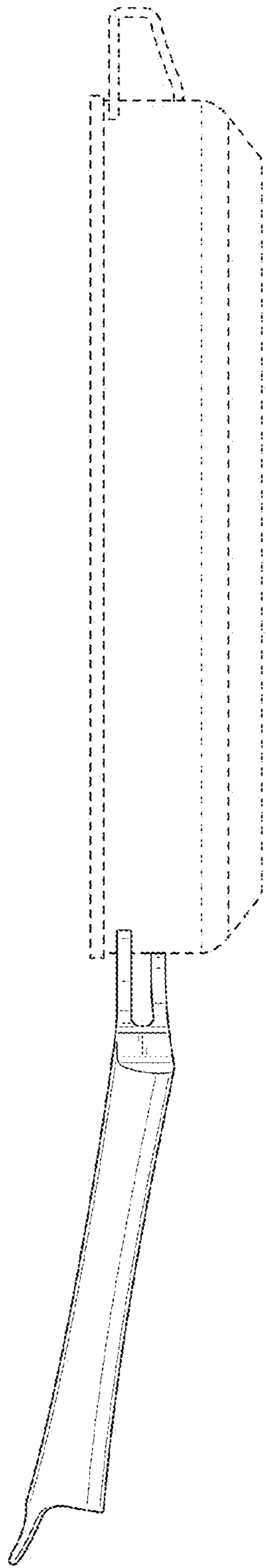


FIG. 4

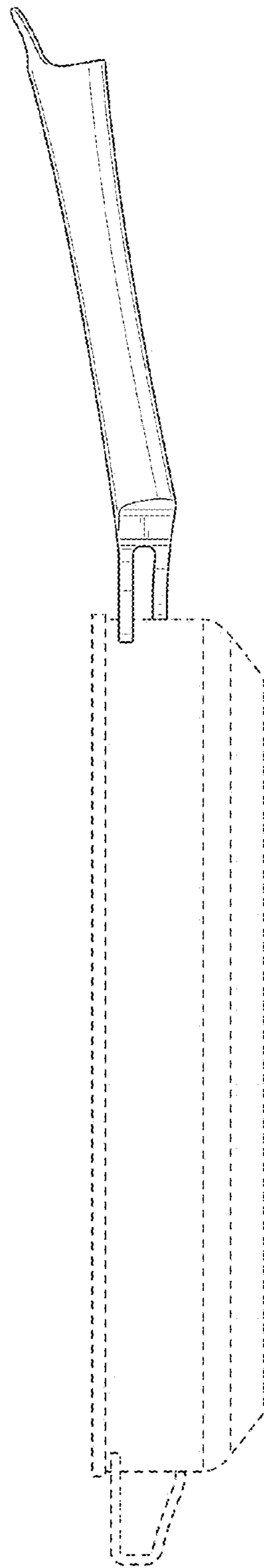


FIG. 5

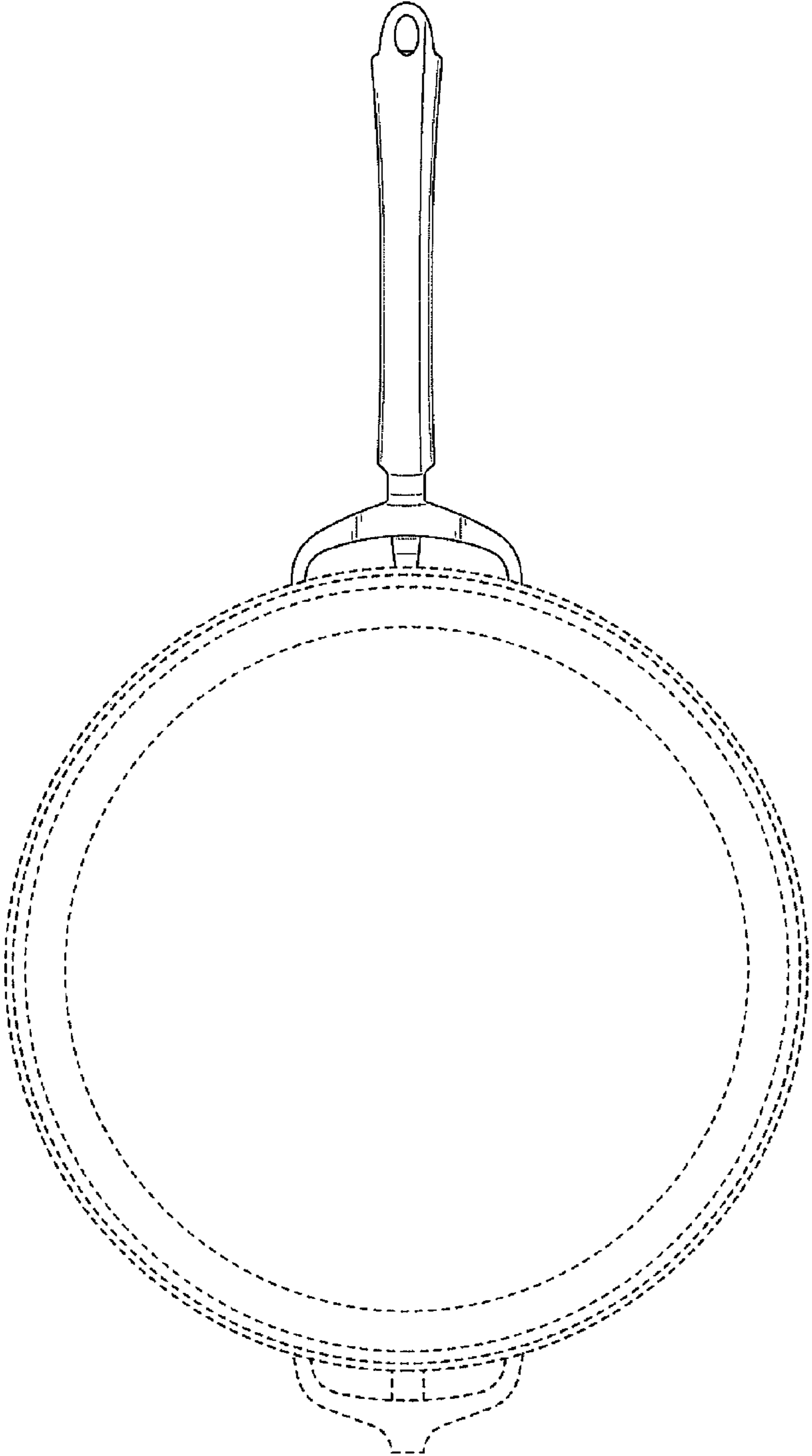


FIG. 6

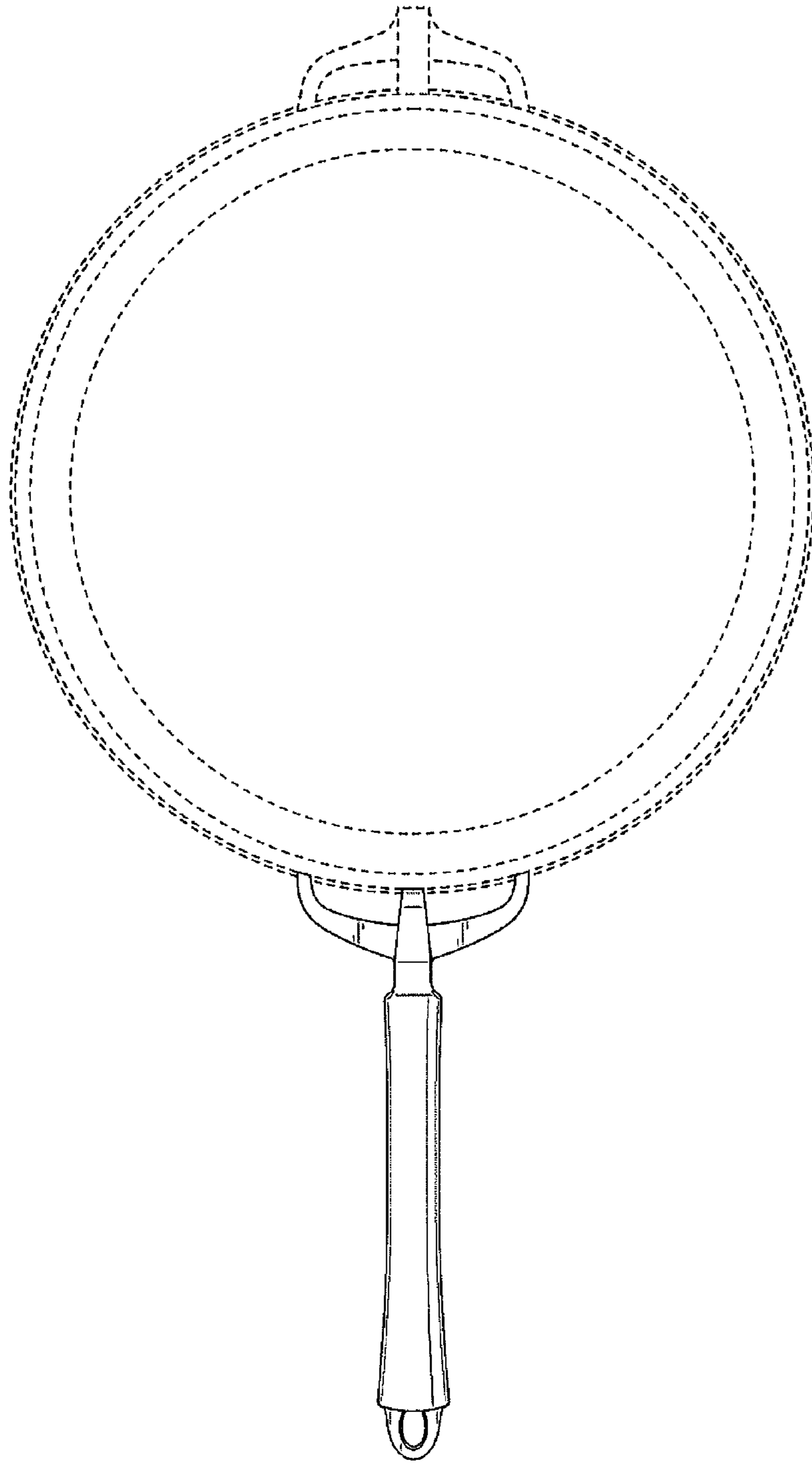


FIG. 7



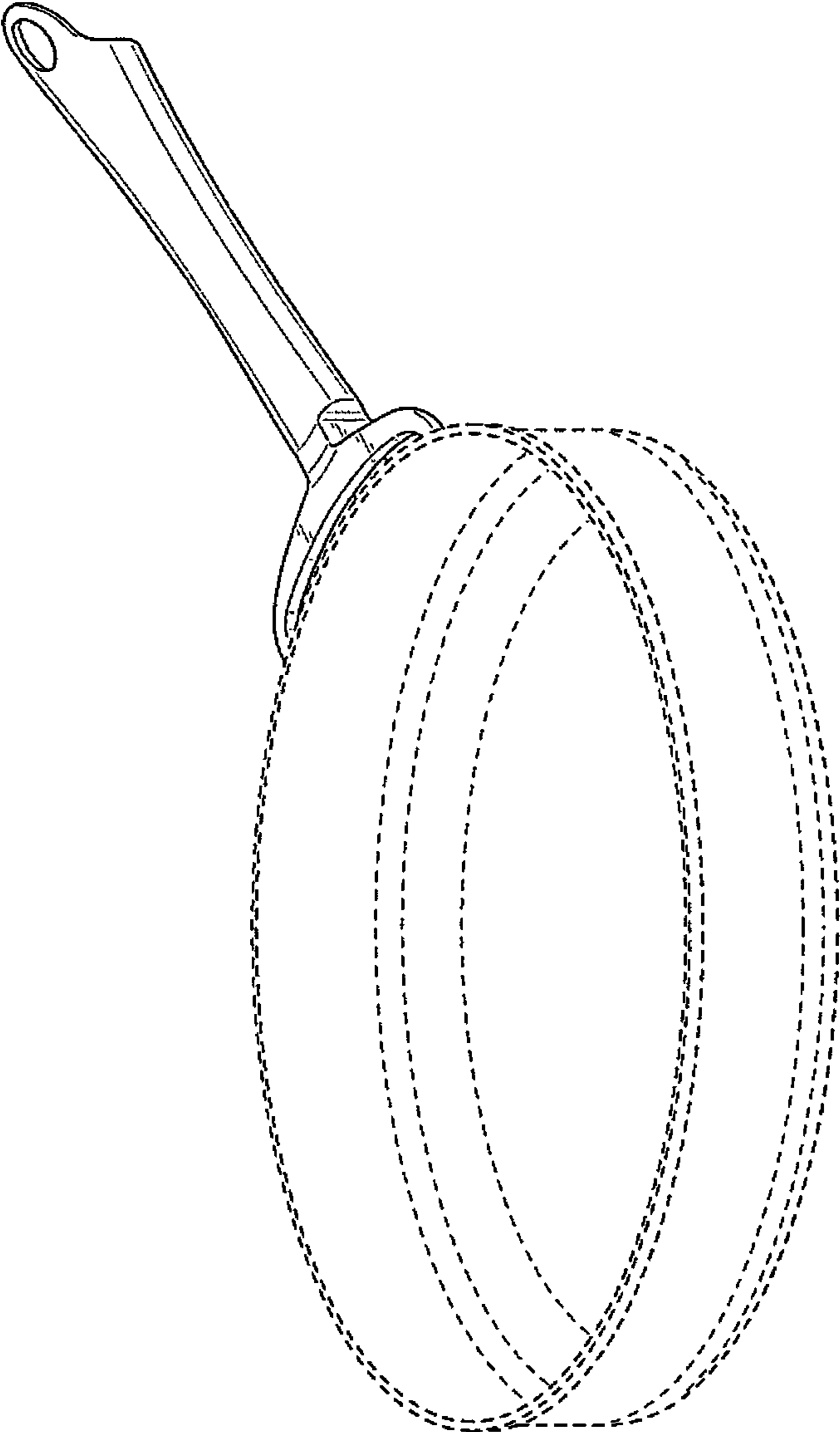


FIG. 8



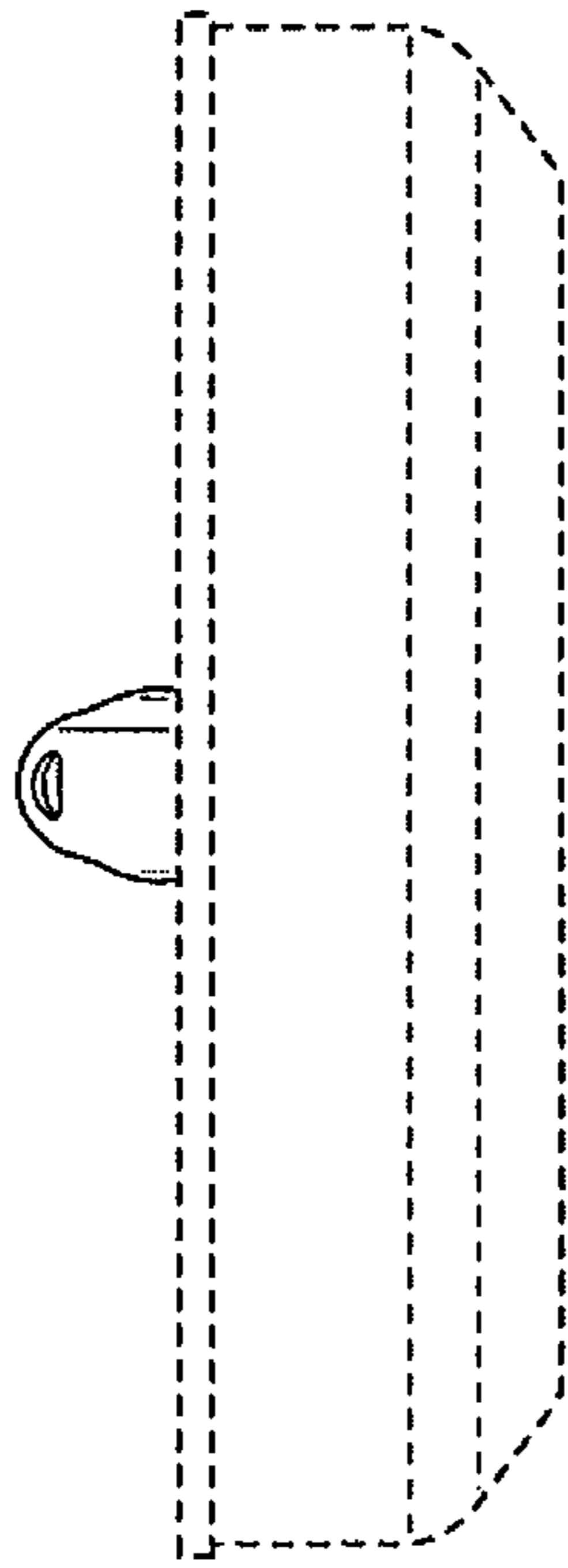


FIG. 9

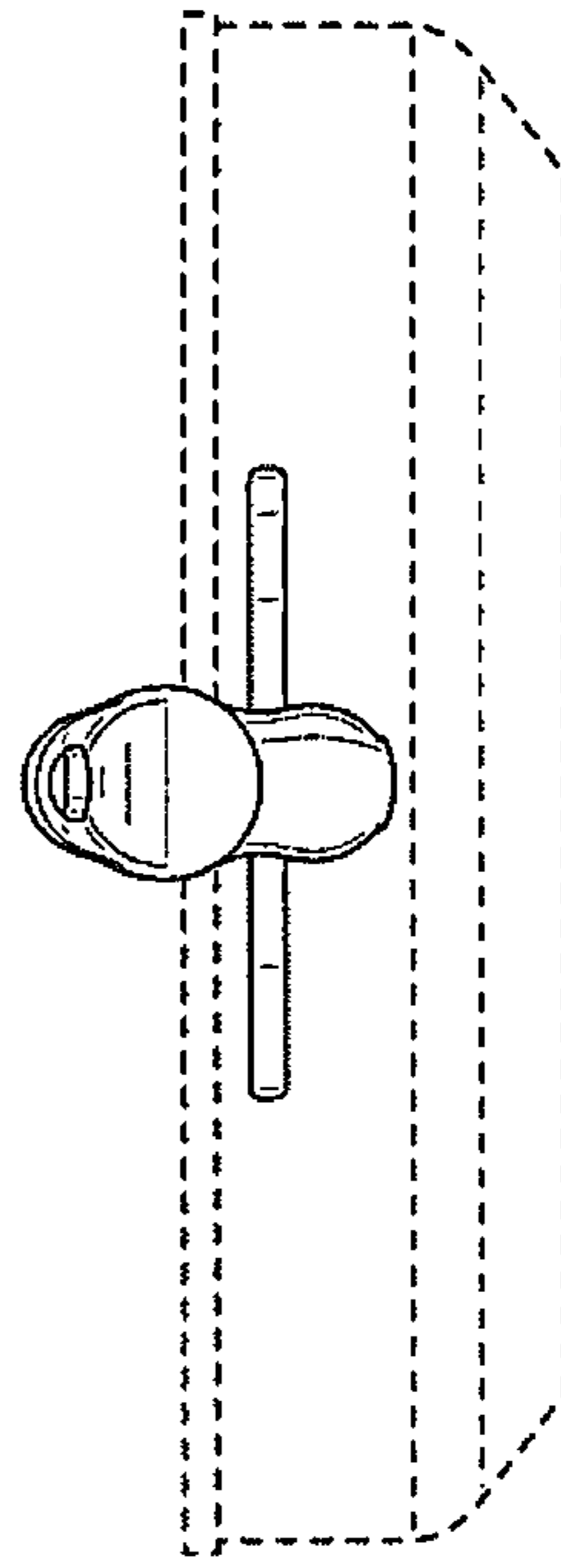


FIG. 10

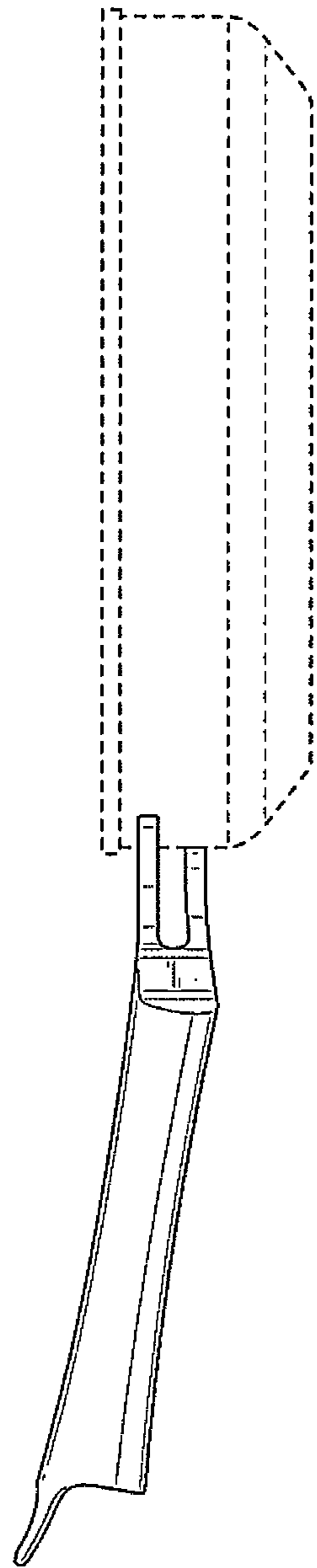


FIG. 11

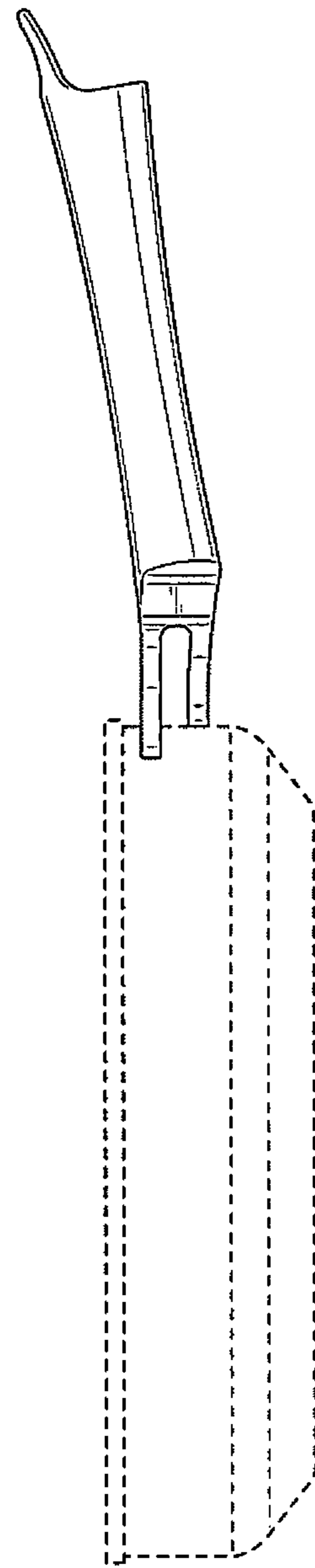


FIG. 12

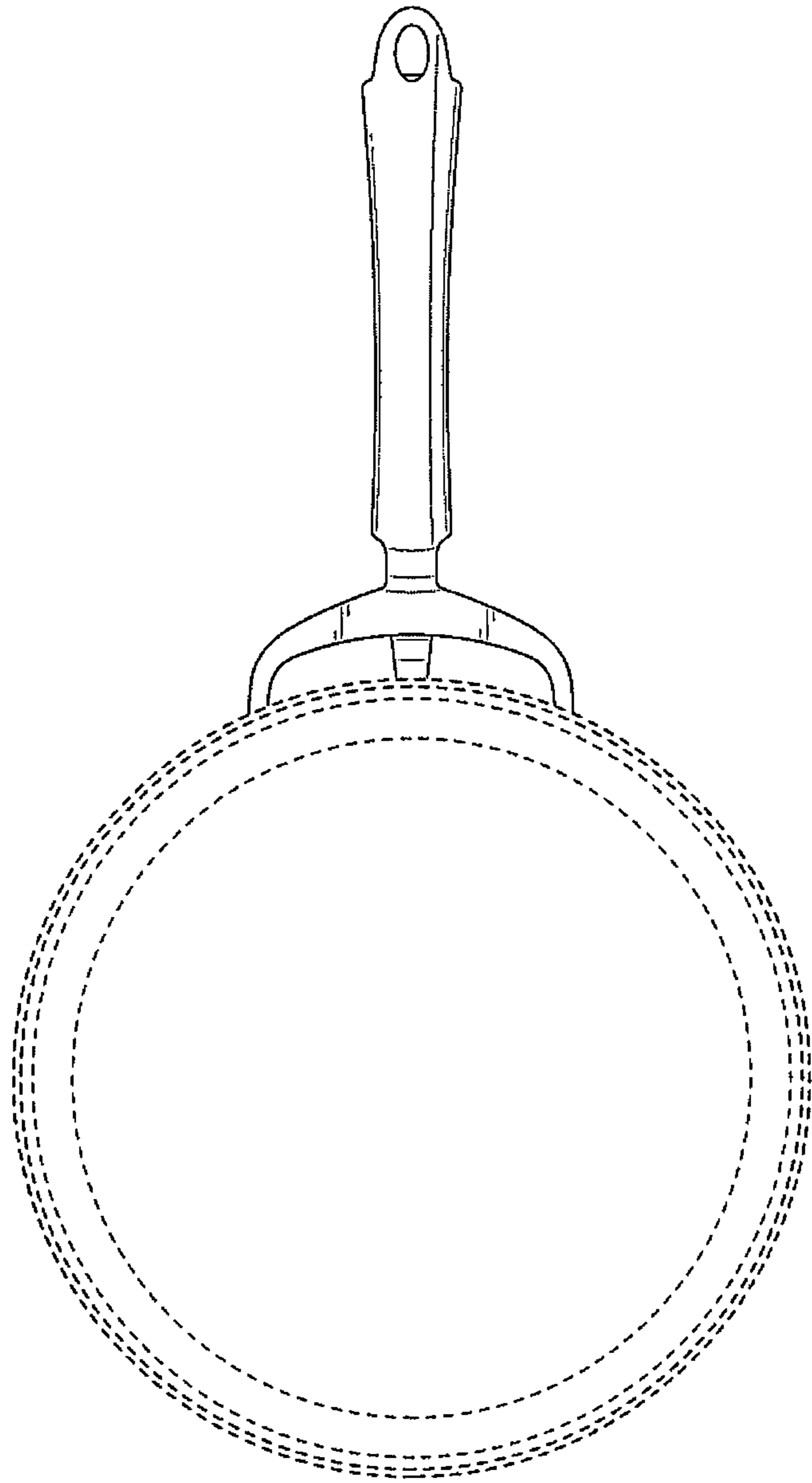


FIG. 13

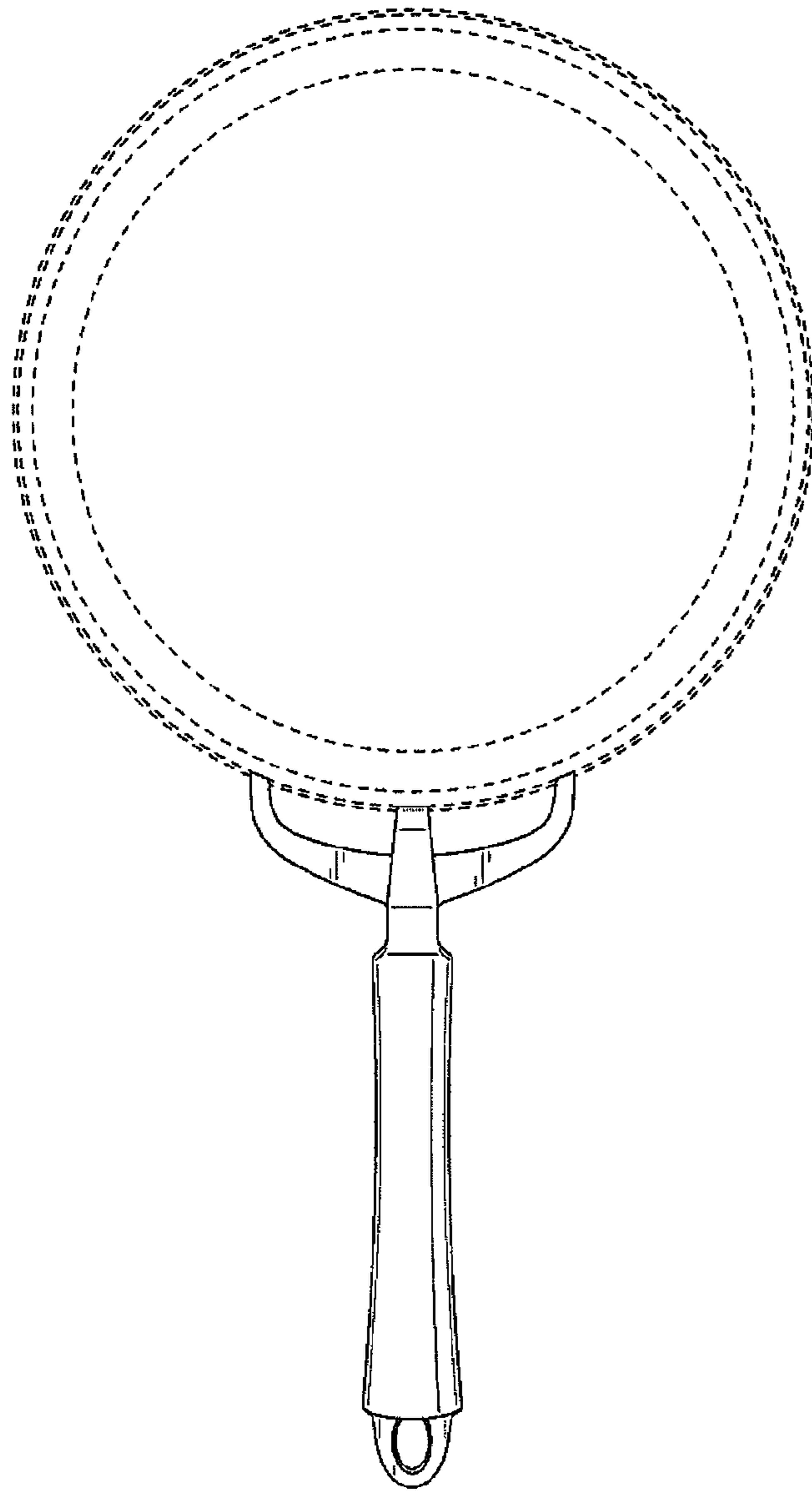


FIG. 14