



US00D712192S

(12) **United States Design Patent**
Prueksapornpong

(10) **Patent No.:** **US D712,192 S**

(45) **Date of Patent:** **** Sep. 2, 2014**

(54) **CONTAINER**

(75) **Inventor:** **Pracha Prueksapornpong**, Bangkok (TH)

(73) **Assignee:** **Pearl Royal Co., Ltd.**, Bangkok (TH)

(**) **Term:** **14 Years**

(21) **Appl. No.:** **29/425,673**

(22) **Filed:** **Jun. 26, 2012**

(51) **LOC (10) Cl.** **07-02**

(52) **U.S. Cl.**
USPC **D7/354**

(58) **Field of Classification Search**

USPC D7/307, 323, 329–332, 334, 346–347, D7/350.1–350.4, 353–367, 391, 393, 395, D7/402, 406, 409, 538, 542; D9/643; D10/40; D14/216; D19/41, 90, 99; D21/684; D22/122; D23/366–367; D24/216; D26/4, 37, 40–41, 47, 94, D26/104; D30/108; D99/5; 99/324–325, 99/331–332, 337–343, 369, 400–418, 422, 99/425, 444, 451, 483; 126/37 R, 261, 126/374.1, 378.1; 206/501–505, 507–508, 206/581; 219/400, 405, 429–442, 620–624, 219/725, 730–735; 220/203.05, 203.07, 220/203.09, 298, 315–316, 573.1–573.5, 220/912

See application file for complete search history.

(56) **References Cited**

U.S. PATENT DOCUMENTS

D276,705 S * 12/1984 Oliveri D10/40
D370,704 S * 6/1996 Oberhoff D21/684
D411,322 S * 6/1999 Suzuki D26/37
D421,216 S * 2/2000 Abrams et al. D9/643

D462,475 S * 9/2002 Wu D26/104
D464,454 S * 10/2002 Suzuki et al. D26/40
D478,681 S * 8/2003 Newcomb D26/4
D501,887 S * 2/2005 Lee D19/90
D563,593 S * 3/2008 Audrito D26/94
D597,646 S * 8/2009 Chapman et al. D23/366
D603,374 S * 11/2009 Peters D14/216
D615,807 S * 5/2010 Creel D7/358
D642,416 S * 8/2011 Scott et al. D7/332
D650,464 S * 12/2011 Wi Toslawski D22/122
D652,162 S * 1/2012 Wu D26/47
D652,972 S * 1/2012 Lee D26/41
D653,403 S * 1/2012 Hayward D30/108
D654,759 S * 2/2012 Browning et al. D7/354
D660,451 S * 5/2012 Matsuura D24/216
D668,096 S * 10/2012 Simms, II D7/334
D680,439 S * 4/2013 Reetz D9/643
D692,717 S * 11/2013 Lai D7/354
D693,625 S * 11/2013 Facey D7/354
D702,478 S * 4/2014 Wai D7/323
D703,415 S * 4/2014 Khan D99/5
2007/0108092 A1 * 5/2007 Minuto et al. 206/581

* cited by examiner

Primary Examiner — Ricky Pham

(74) *Attorney, Agent, or Firm* — Welsh Flaxman & Gitler LLC

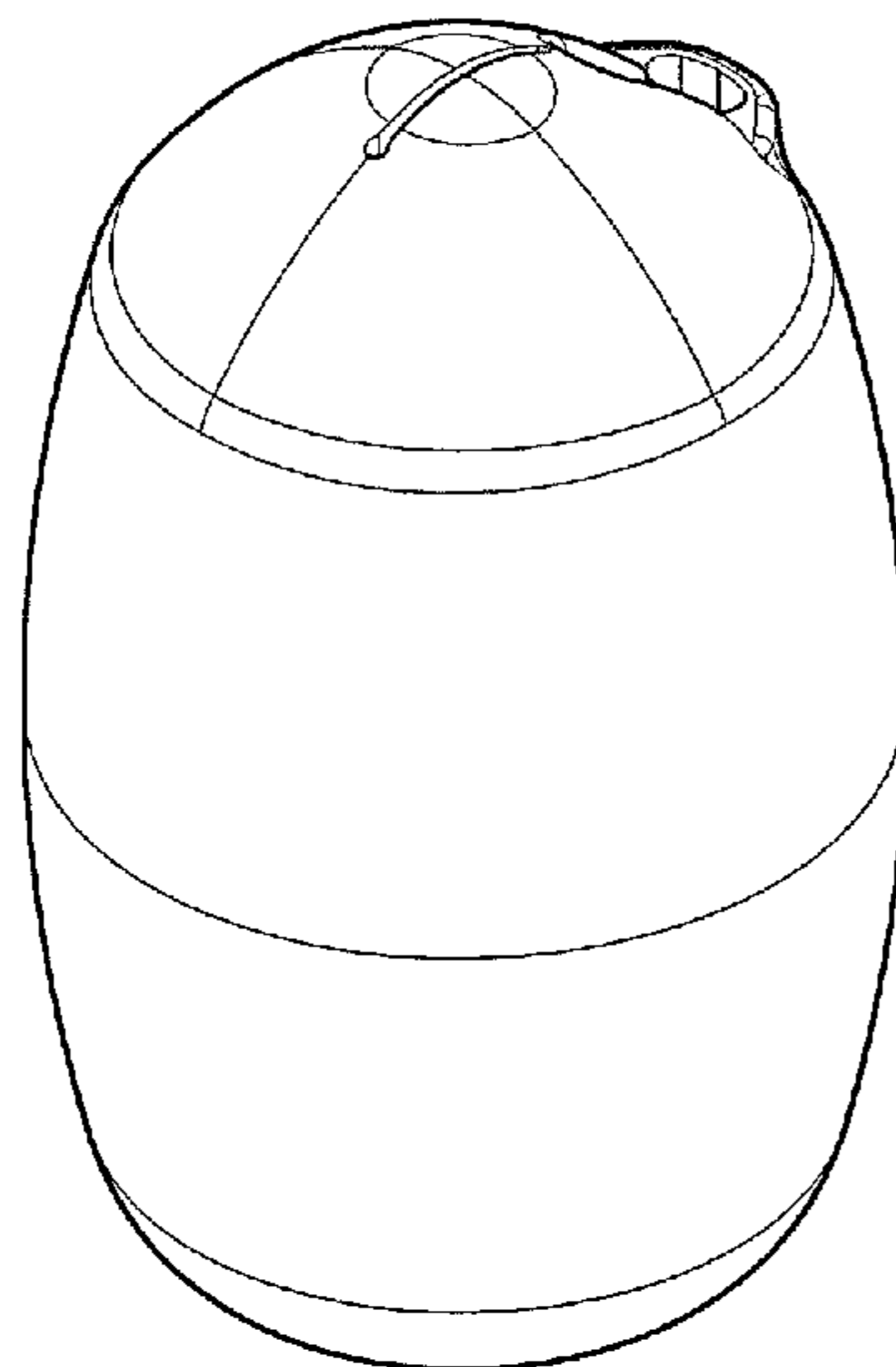
(57) **CLAIM**

The ornamental design for a container, as shown, and described.

DESCRIPTION

FIG. 1 is a rear view of the container;
FIG. 2 is a front view of the container;
FIG. 3 is a right side view of the container;
FIG. 4 is a left side view of the container;
FIG. 5 is a top view of the container;
FIG. 6 is a bottom view of the container; and,
FIG. 7 is a perspective view of the container.

1 Claim, 4 Drawing Sheets



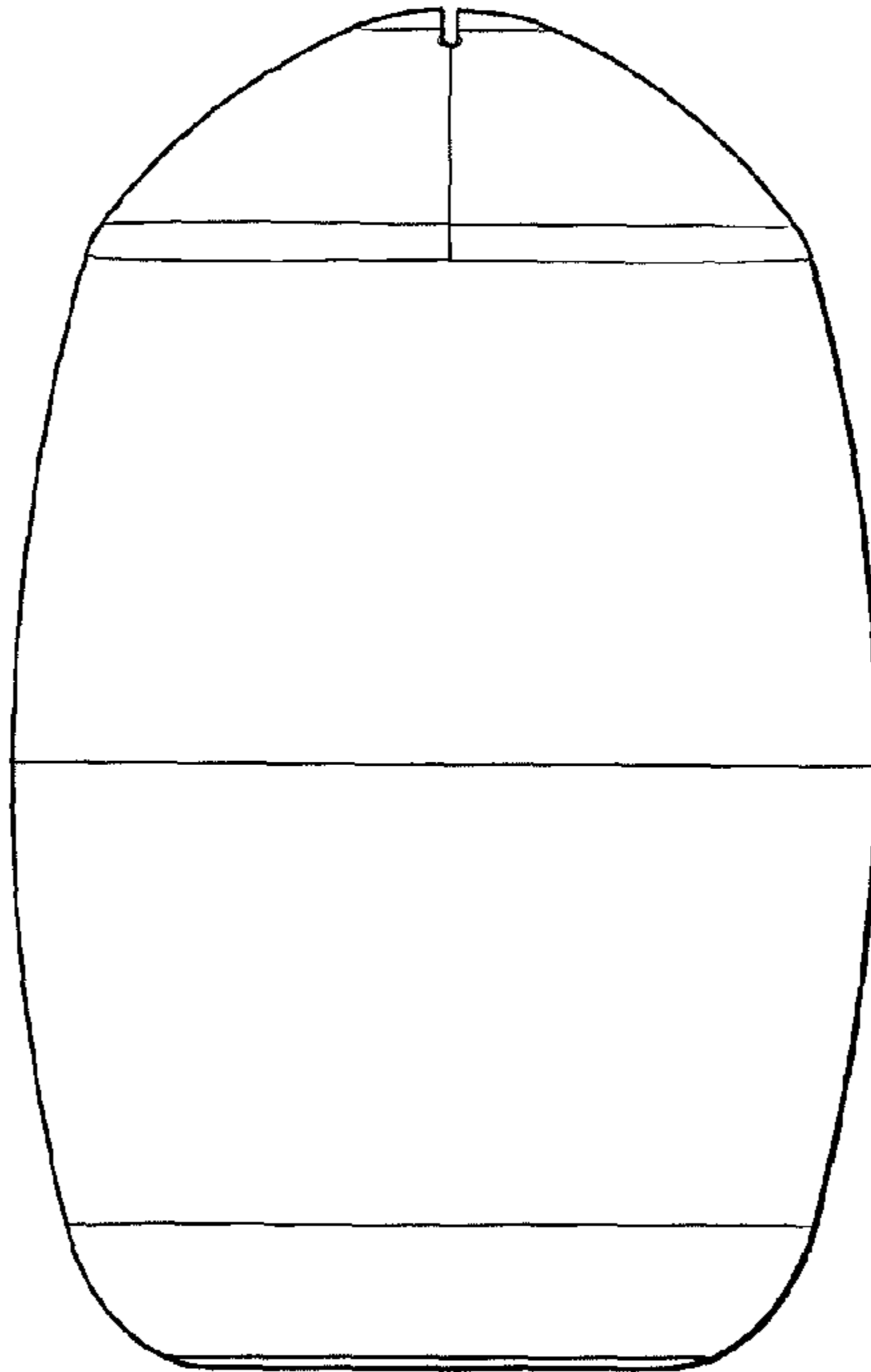


FIG. 1

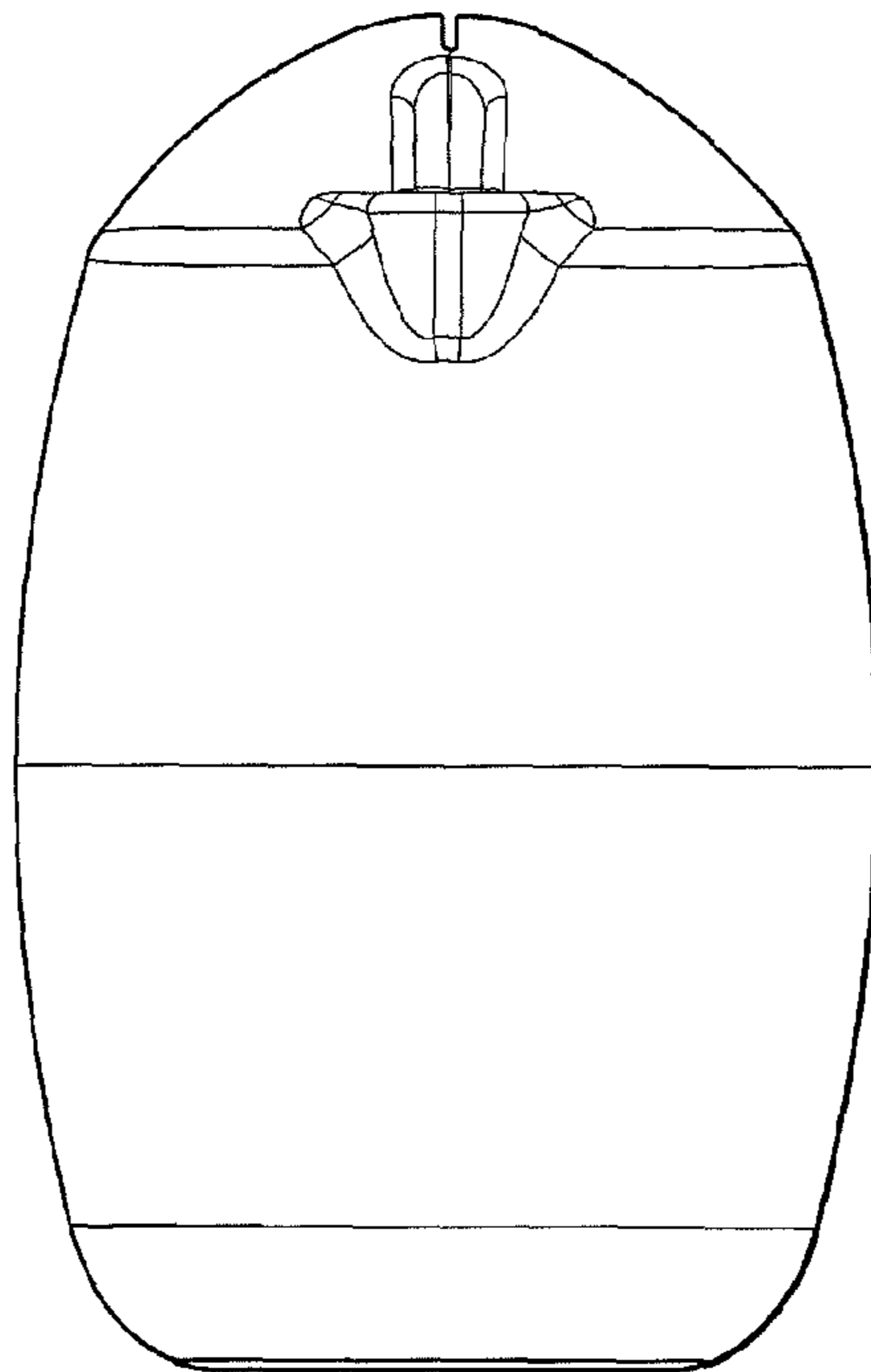


FIG. 2

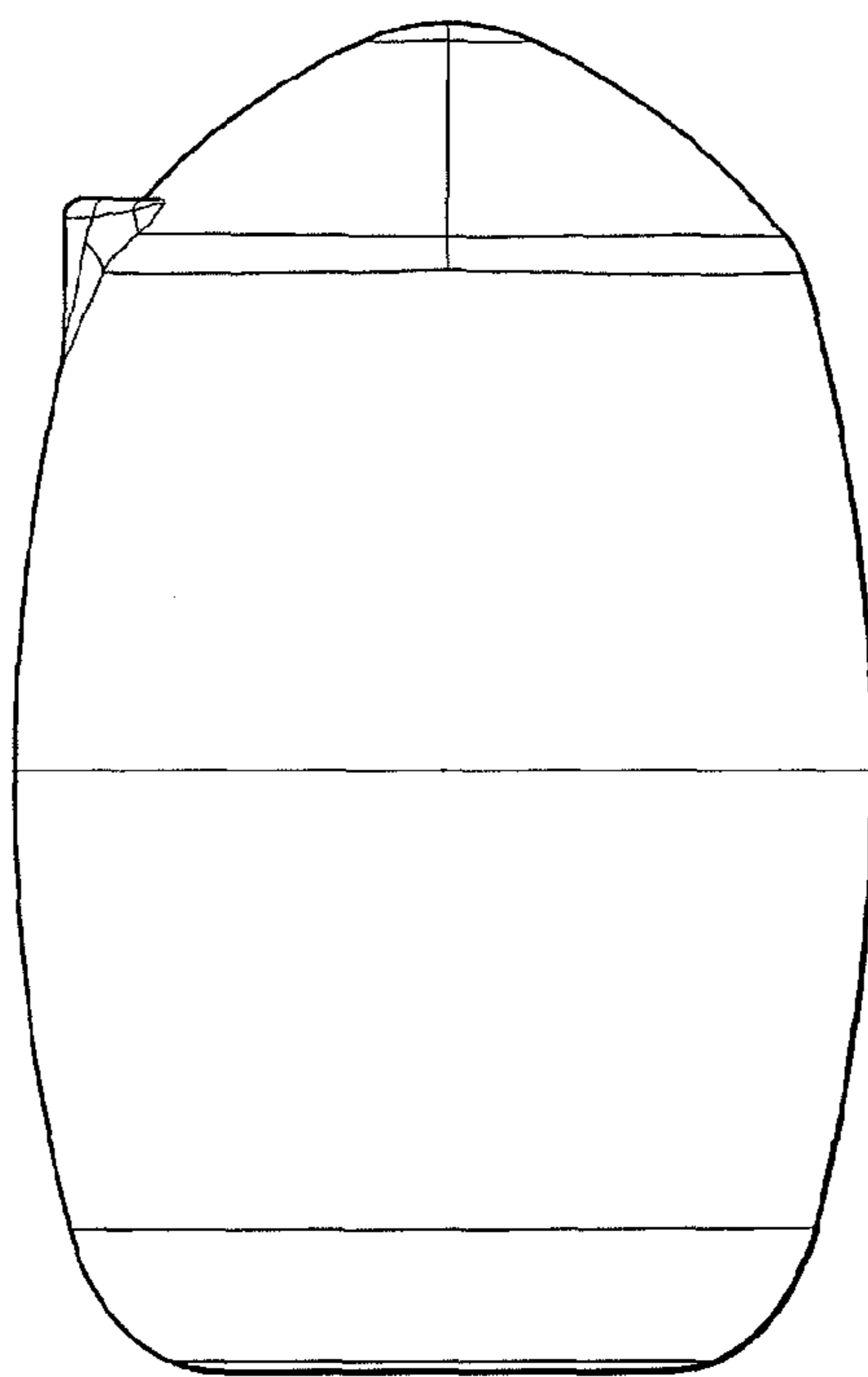


FIG. 3

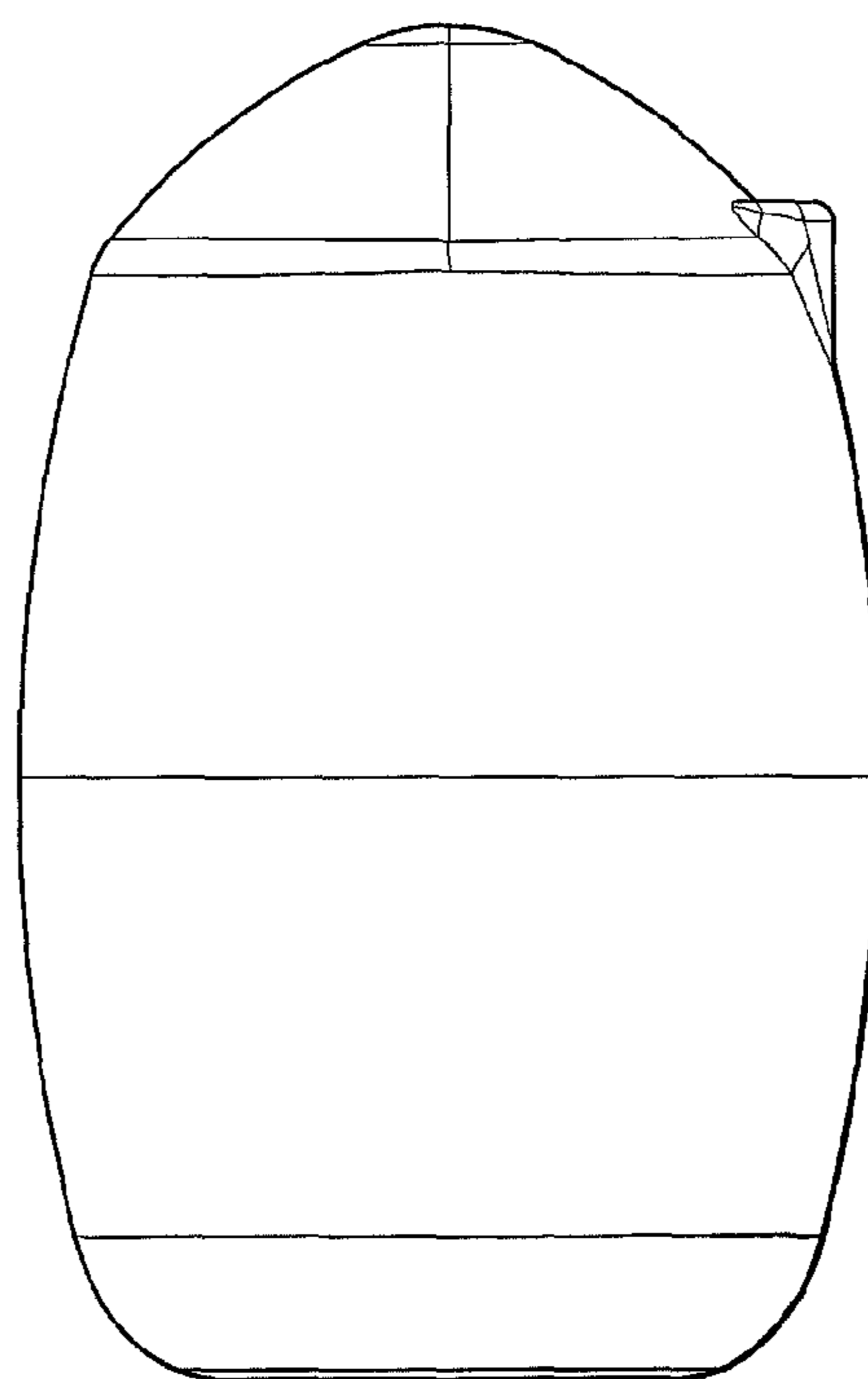


FIG. 4

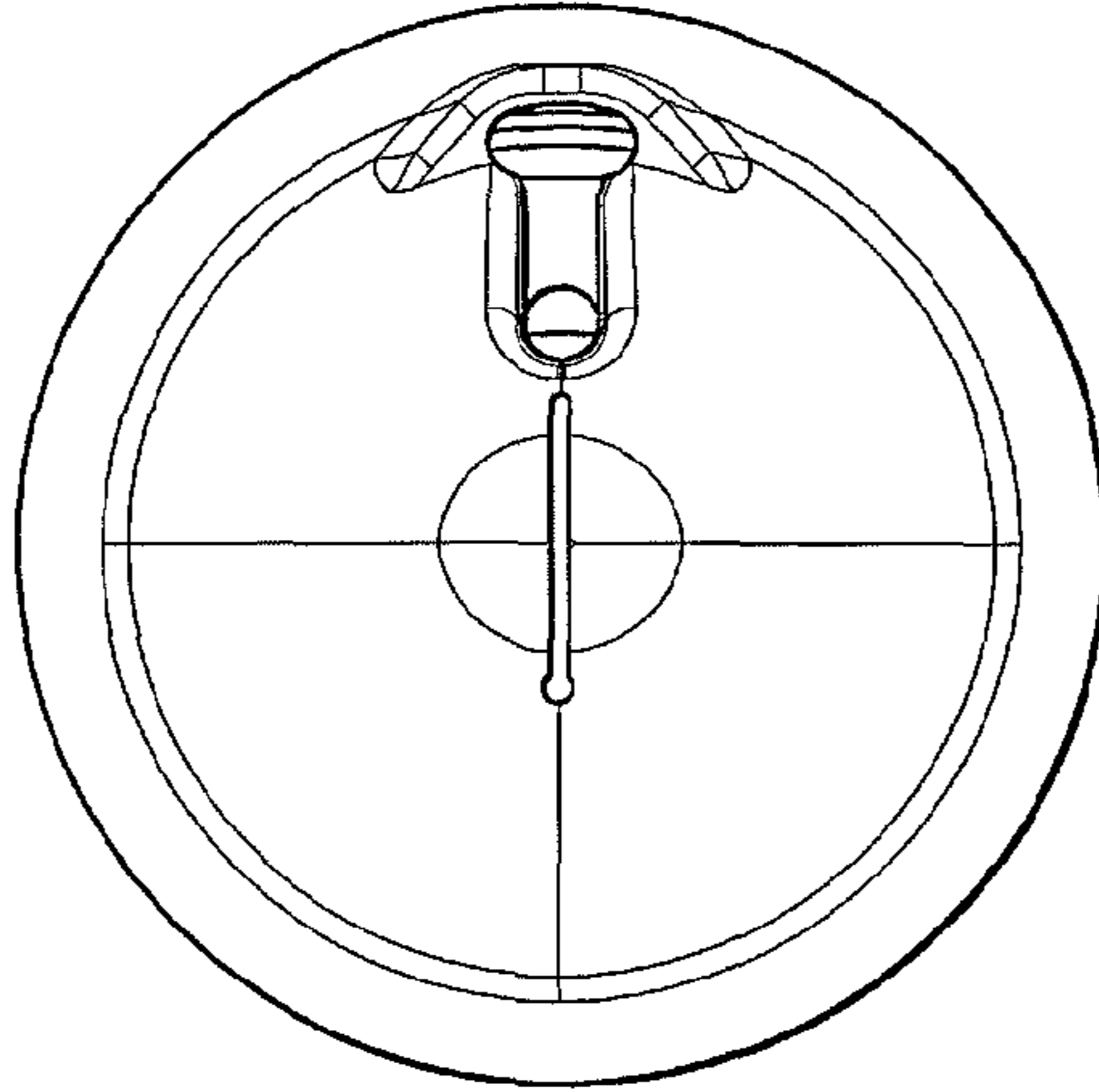


FIG. 5

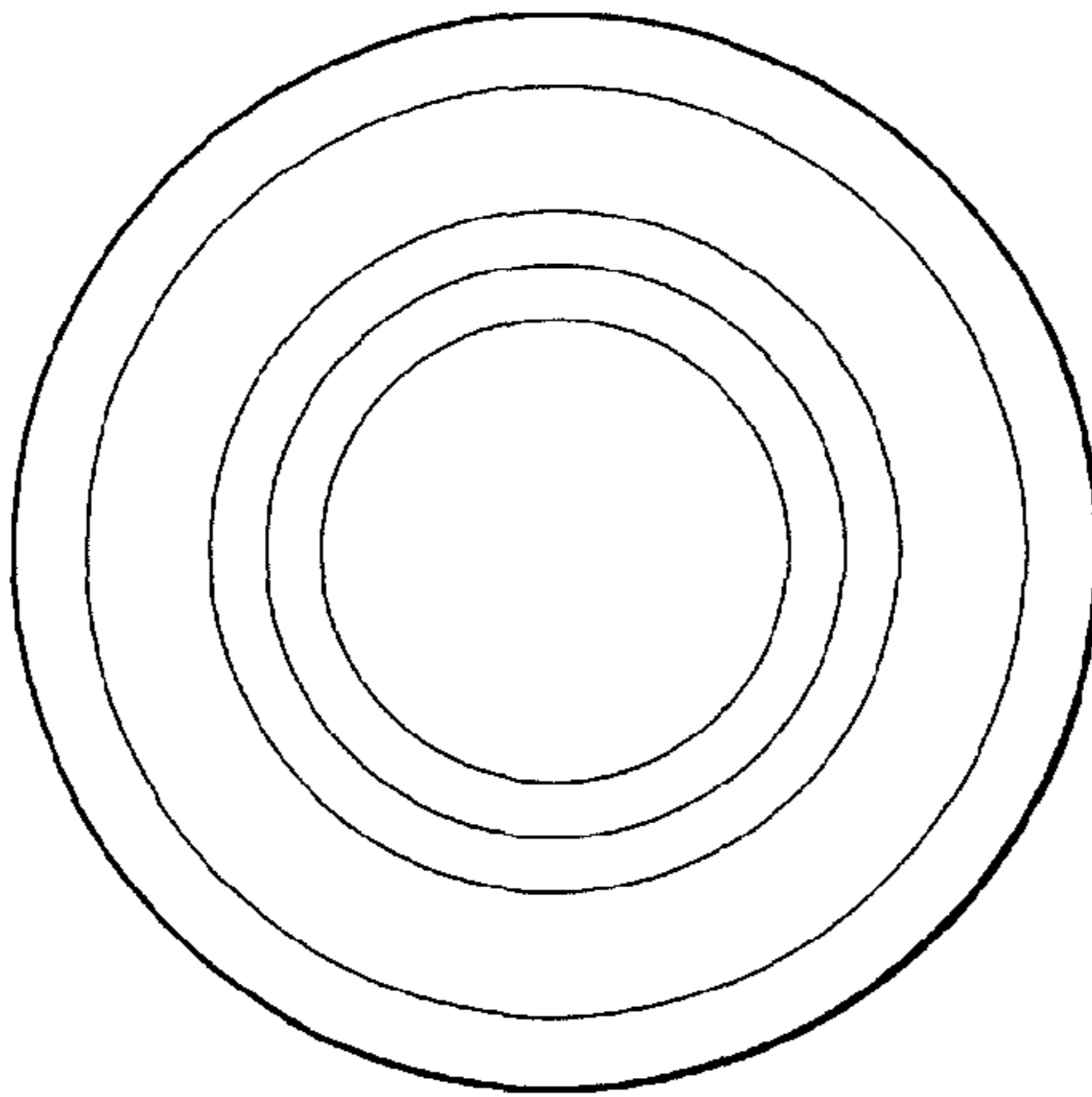


FIG. 6

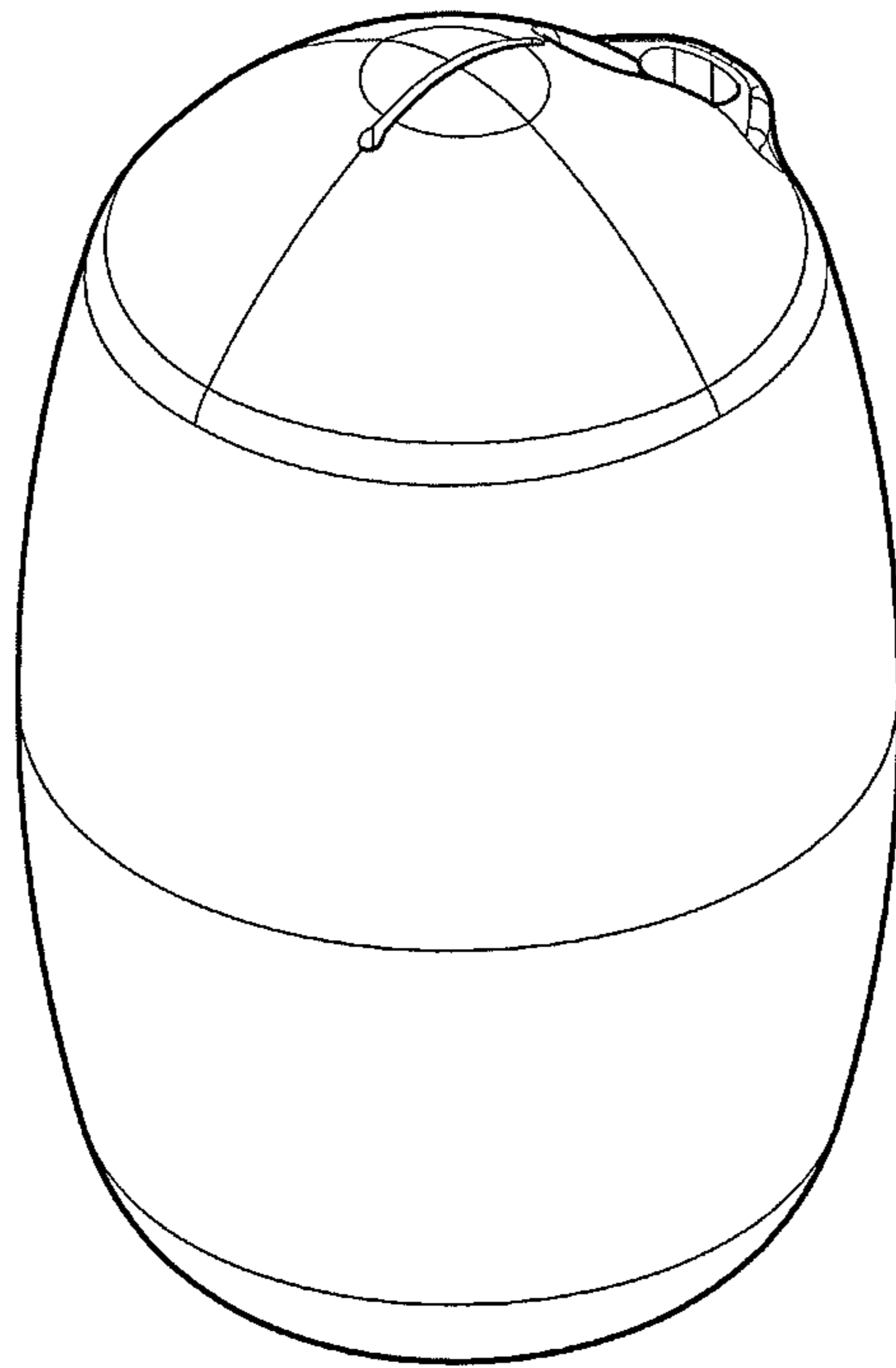


FIG. 7