



US00D712191S

(12) **United States Design Patent**
Chung

(10) **Patent No.:** **US D712,191 S**
(45) **Date of Patent:** **** Sep. 2, 2014**

- (54) **BARBECUE GRILL**
- (71) Applicant: **Kiosky Chung**, Taichung (TW)
- (72) Inventor: **Kiosky Chung**, Taichung (TW)
- (**) Term: **14 Years**
- (21) Appl. No.: **29/461,806**
- (22) Filed: **Jul. 27, 2013**
- (51) **LOC (10) Cl.** **07-02**
- (52) **U.S. Cl.**
USPC **D7/334**
- (58) **Field of Classification Search**
USPC D7/332, 334-337, 402-406; 126/25 R,
126/25 A, 25 AA, 9 R, 38, 41 R, 40, 50, 276;
99/449
See application file for complete search history.

D485,116 S *	1/2004	Kwok	D7/334
D623,004 S *	9/2010	Groth et al.	D7/334
D636,628 S *	4/2011	Chung	D7/334
D657,181 S *	4/2012	Chung	D7/334
D680,366 S *	4/2013	Chung	D7/334

* cited by examiner

Primary Examiner — Ruth McInroy

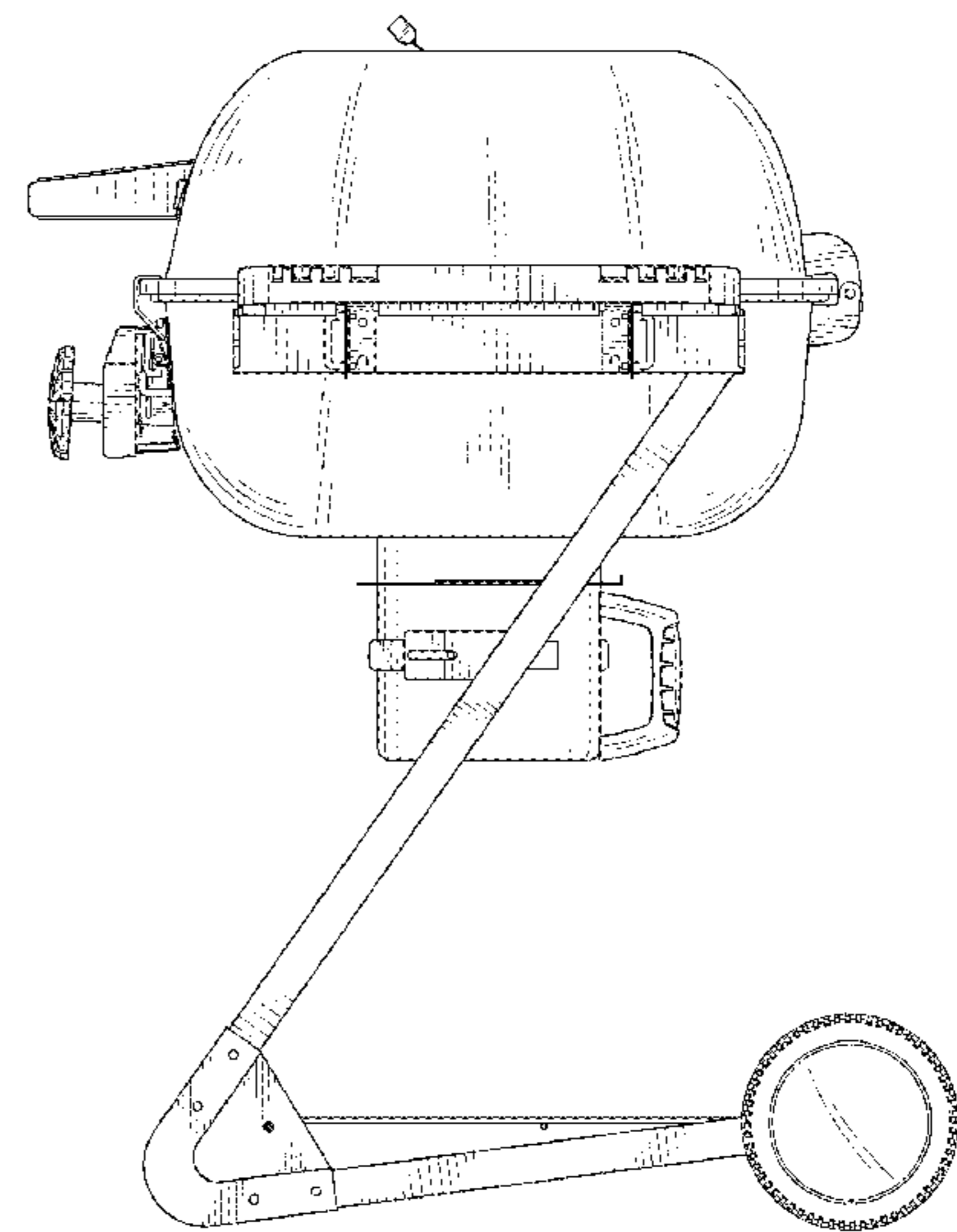
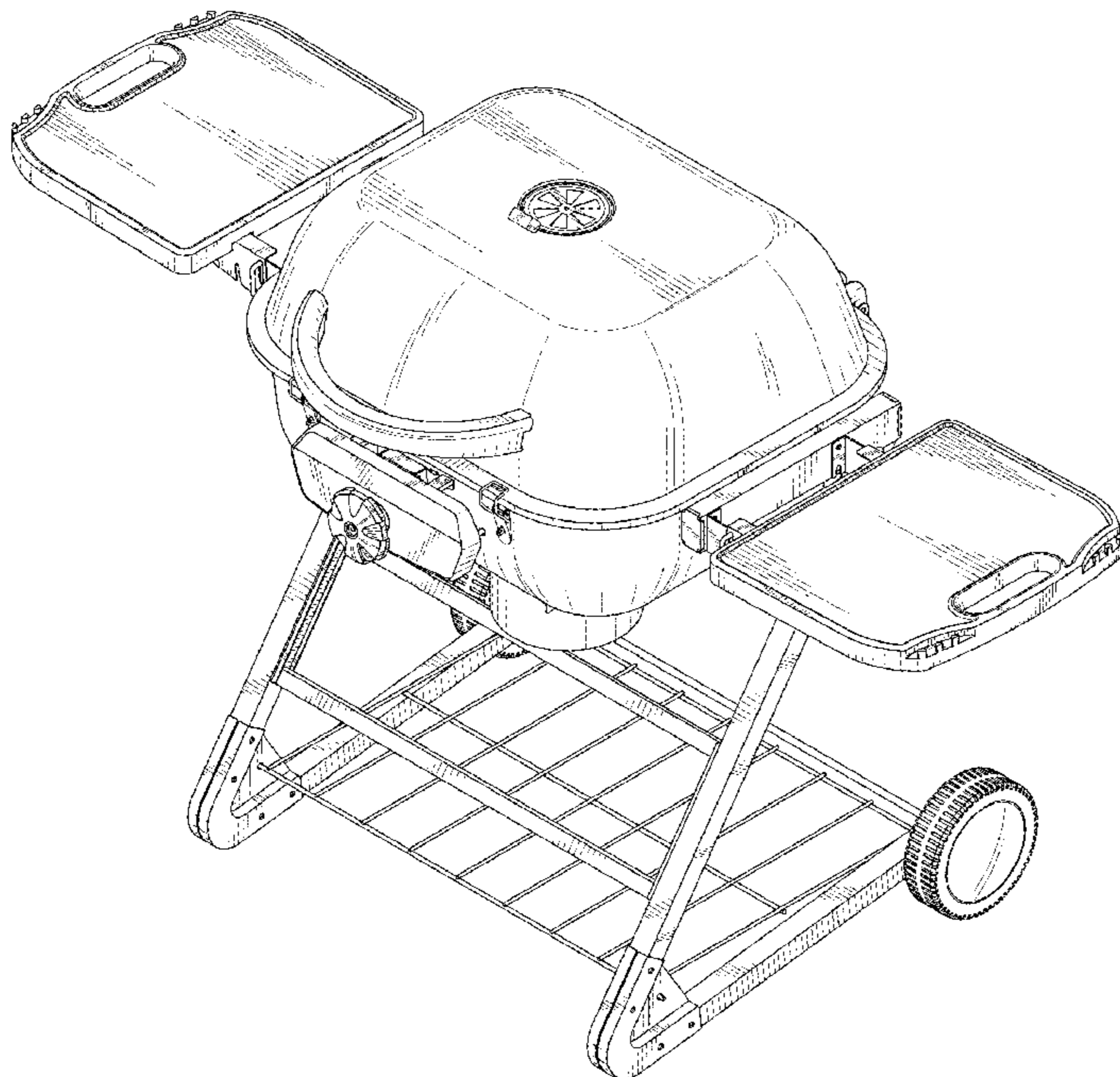
(57) **CLAIM**
I claim the ornamental design for a barbecue grill, as shown and described.

DESCRIPTION

FIG. 1 is a perspective view of a barbecue grill, showing my new design;
FIG. 2 is a front elevational view thereof;
FIG. 3 is a rear elevational view thereof;
FIG. 4 is a left side elevational view thereof;
FIG. 5 is a right side elevational view thereof;
FIG. 6 is a top plan view thereof; and,
FIG. 7 is a bottom plan view thereof.

- (56) **References Cited**
U.S. PATENT DOCUMENTS
6,422,230 B1 * 7/2002 Stewart et al. 126/25 R
D480,907 S * 10/2003 Pai D7/334

1 Claim, 7 Drawing Sheets



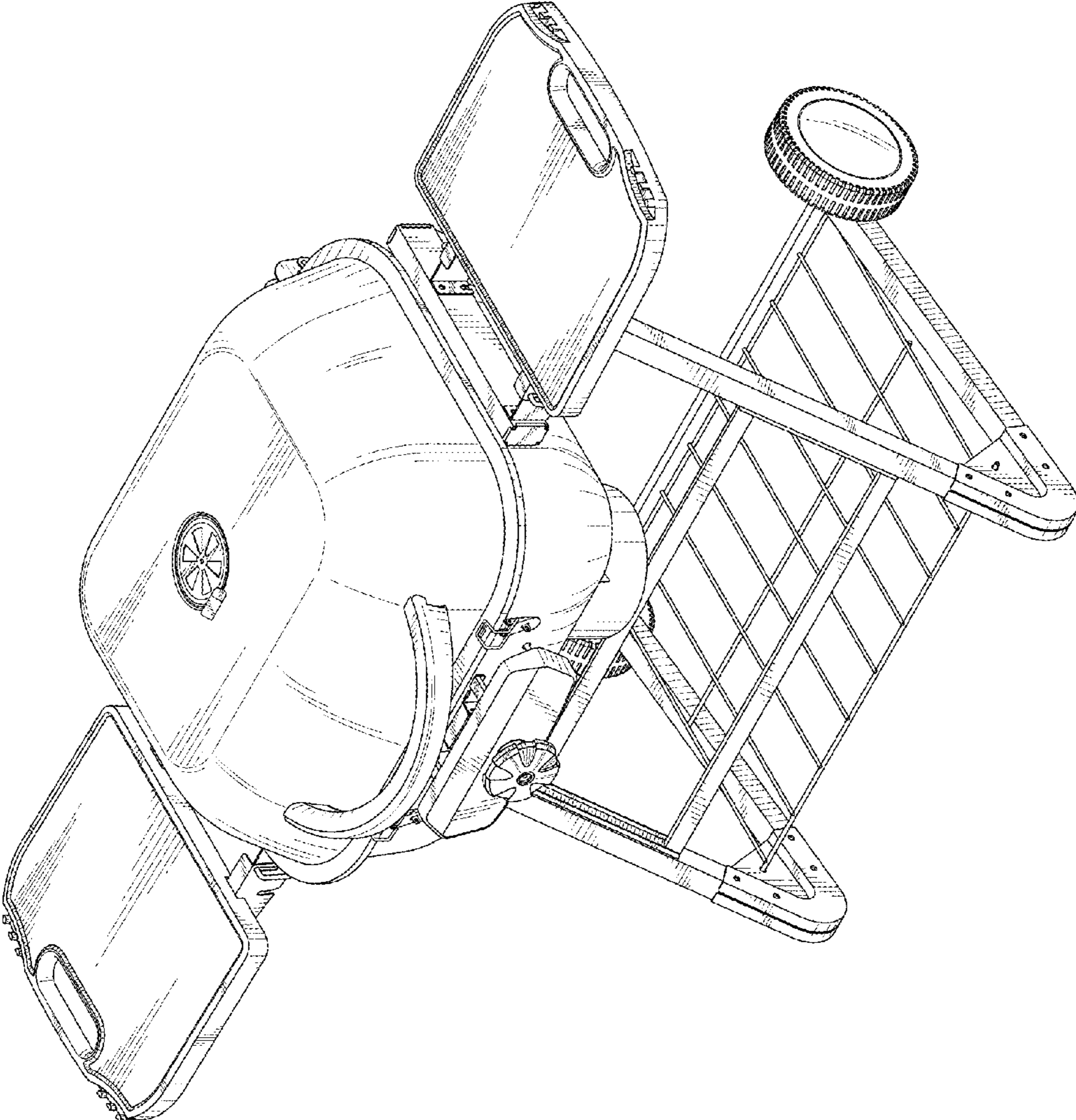


FIG. 1

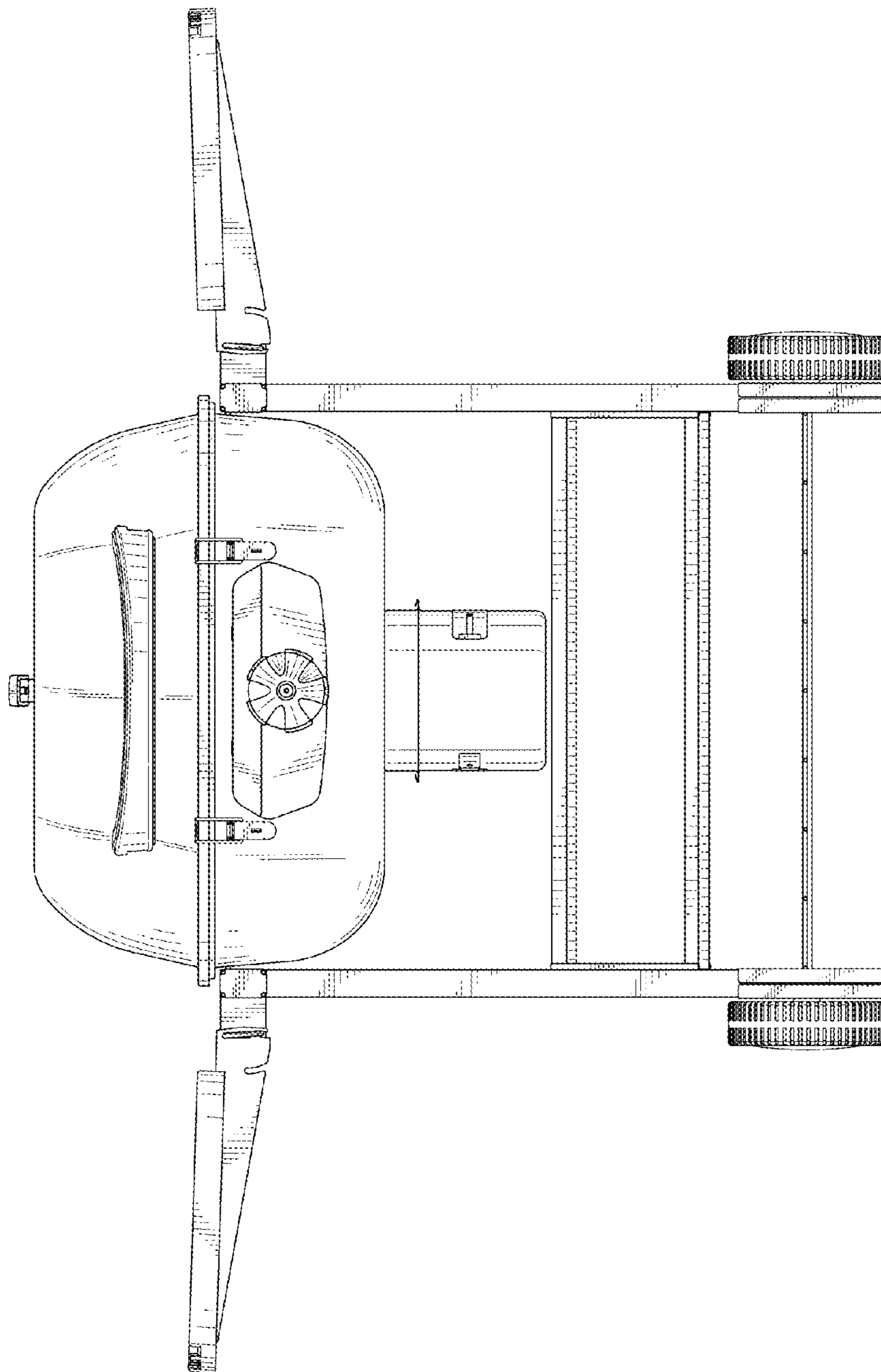


FIG. 2

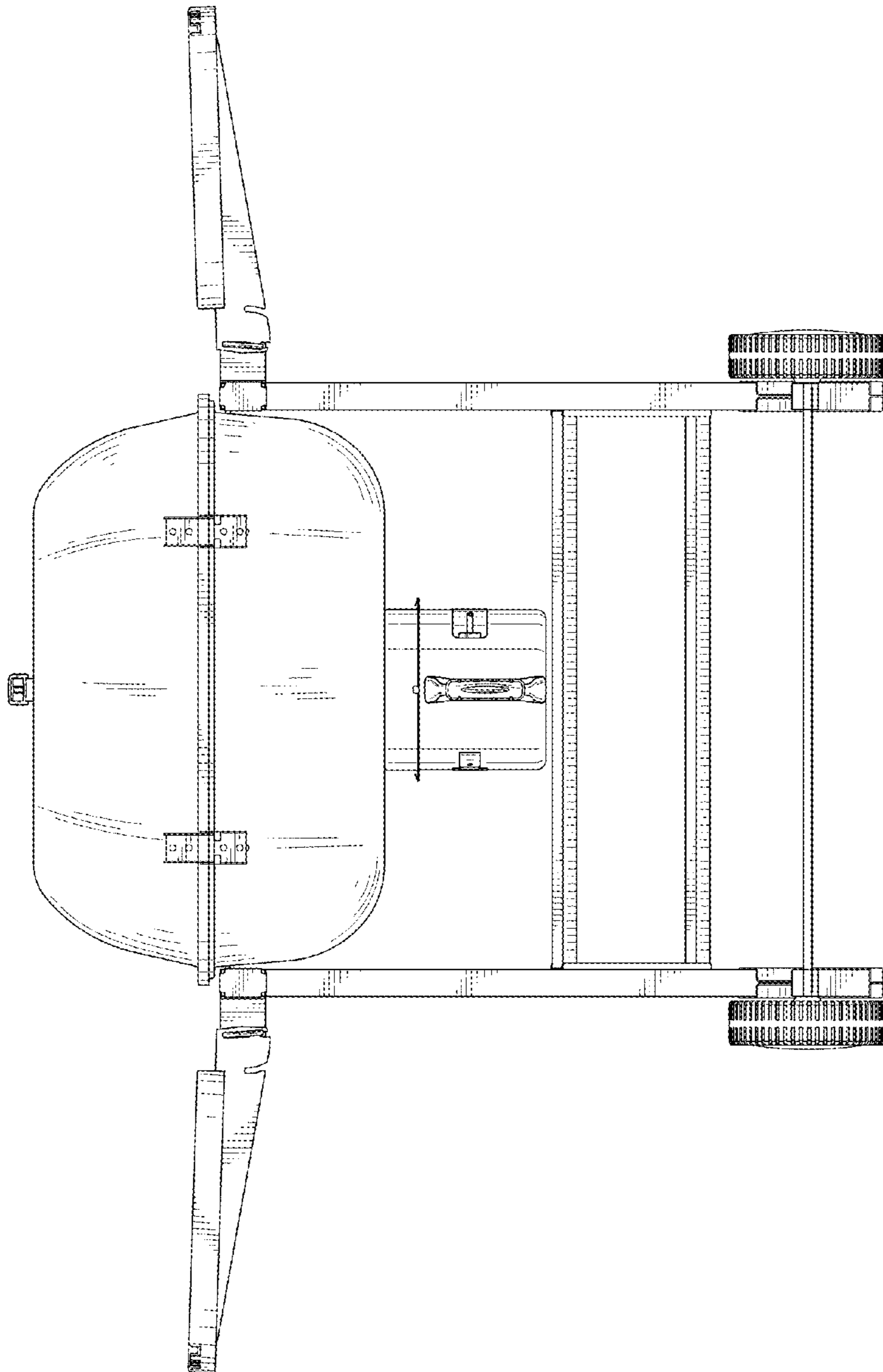


FIG. 3

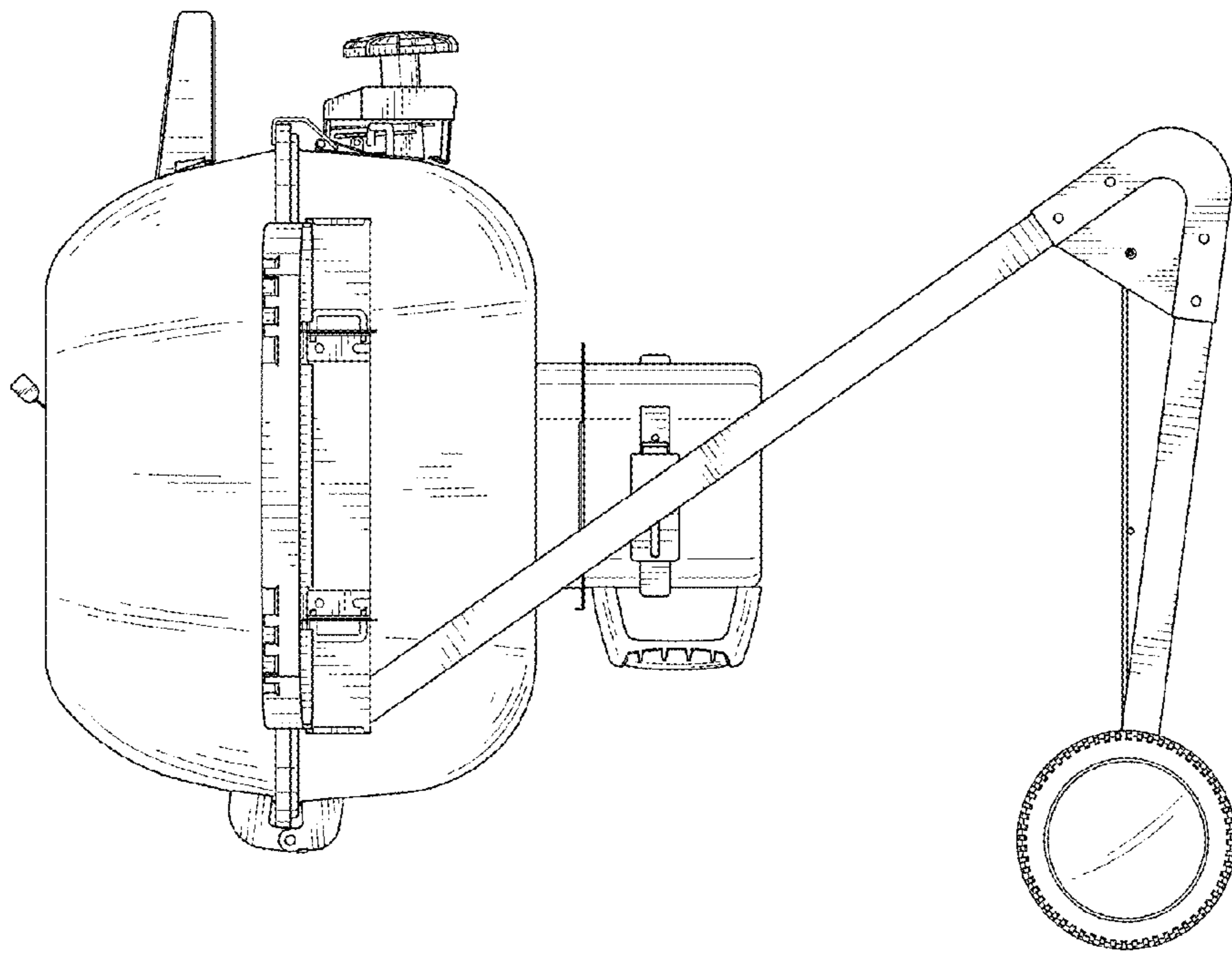


FIG. 4

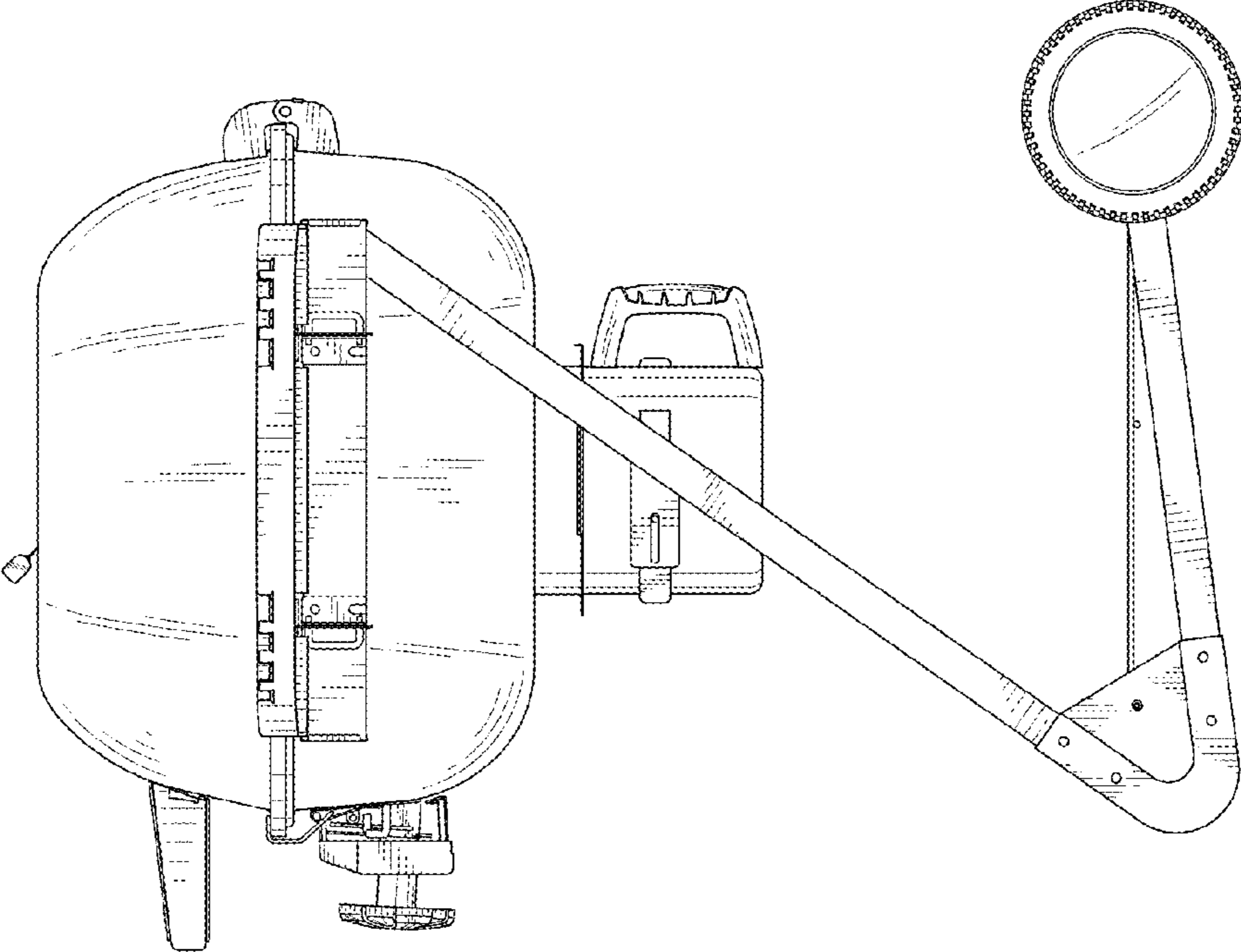


FIG. 5

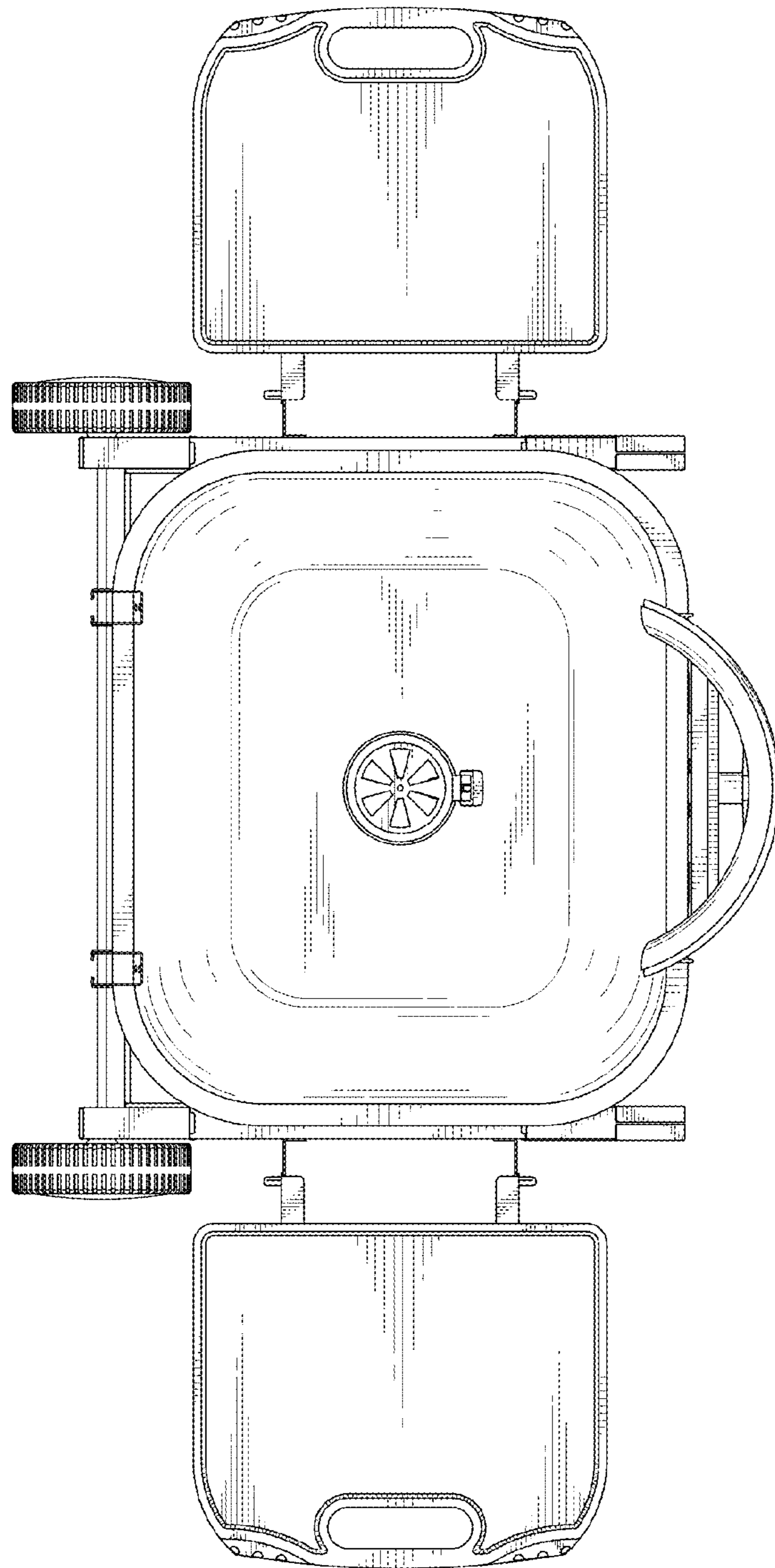


FIG. 6

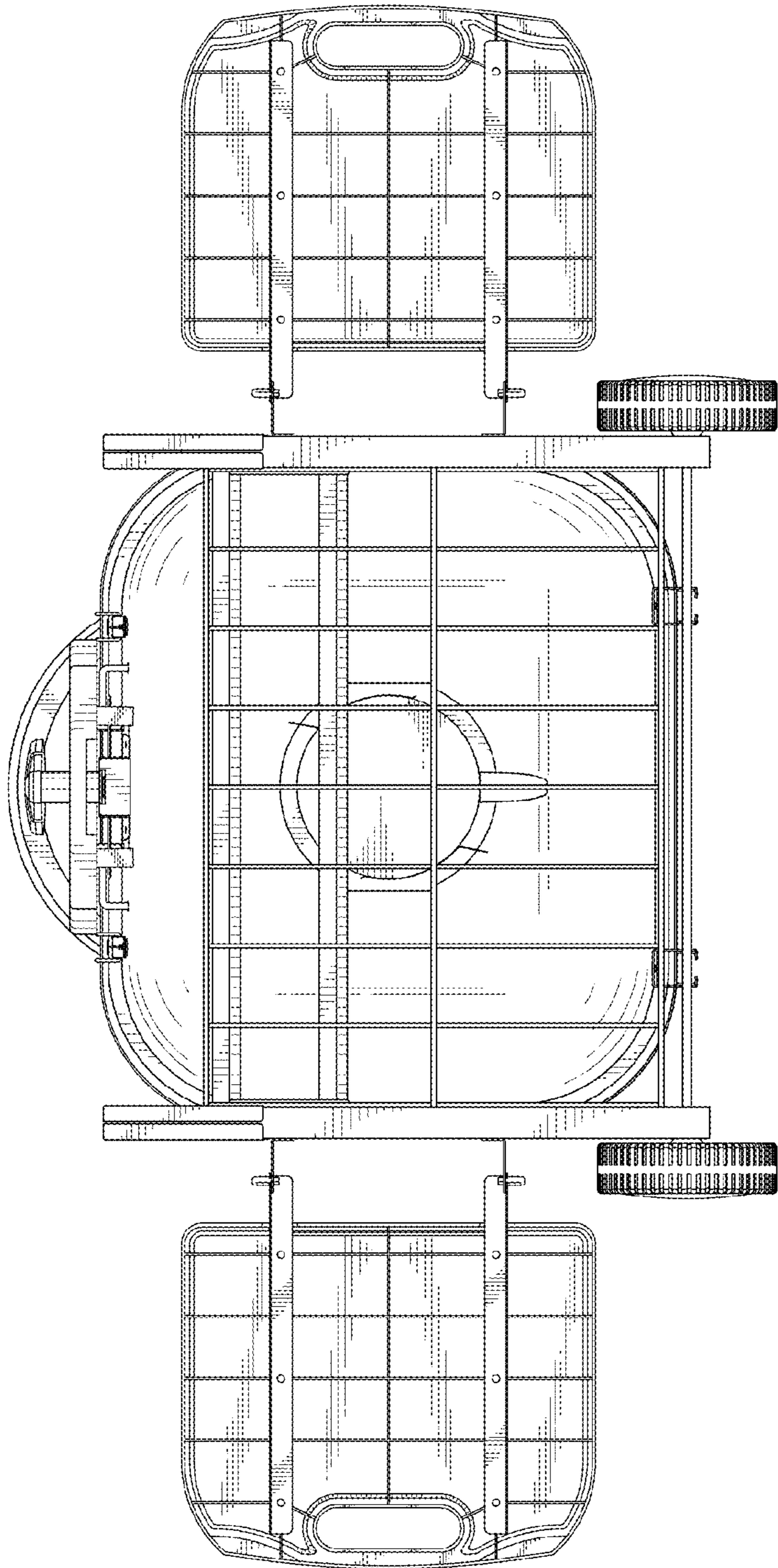


FIG. 7