



US00D712190S

(12) **United States Design Patent**
Talley

(10) **Patent No.:** **US D712,190 S**

(45) **Date of Patent:** **** Sep. 2, 2014**

(54) **FOOTBALL THEMED GRILL**

(71) Applicant: **Curtis Talley**, Kennesaw, GA (US)

(72) Inventor: **Curtis Talley**, Kennesaw, GA (US)

(**) Term: **14 Years**

(21) Appl. No.: **29/457,513**

(22) Filed: **Jun. 11, 2013**

(51) **LOC (10) Cl.** **07-02**

(52) **U.S. Cl.**
USPC **D7/334**

(58) **Field of Classification Search**
CPC A47J 33/00; A47J 36/26; A47J 36/36;
A47J 37/04; A47J 37/041; A47J 37/049;
A47J 37/07; A47J 37/042; A47J 37/067;
A47J 37/0682; A47J 2037/0777; F24B 1/20;
F24B 1/22; F24B 1/24; F24B 1/202; F24B
1/205; F24B 1/207; F24B 3/00; F24C 1/16;
F24C 3/008; F24C 3/207; F24C 3/085;
F24C 3/14; F24C 5/20; F24C 15/10
USPC D7/332–337, 402–408
See application file for complete search history.

(56) **References Cited**

U.S. PATENT DOCUMENTS

D421,200 S	*	2/2000	Taylor, Jr.	D7/332
D465,381 S	*	11/2002	Favela	D7/334
D465,694 S	*	11/2002	Favela	D7/334
D465,962 S	*	11/2002	Favela	D7/335
D546,115 S		7/2007	Henry		

D546,617 S	*	7/2007	Griffard	D7/335
7,296,564 B2		11/2007	Wilson		
D559,612 S	*	1/2008	Yount	D7/334
D563,148 S	*	3/2008	Henry	D7/334
D587,873 S		3/2009	Eshleman et al.		
D592,004 S	*	5/2009	Loving	D7/337
7,905,225 B2		3/2011	Contarino		
D638,660 S		5/2011	Ayers, III		
8,201,550 B2		6/2012	Malumyan		

* cited by examiner

Primary Examiner — Ruth McInroy

(74) *Attorney, Agent, or Firm* — Bradley D. Crose; Crose Law LLC

(57) **CLAIM**

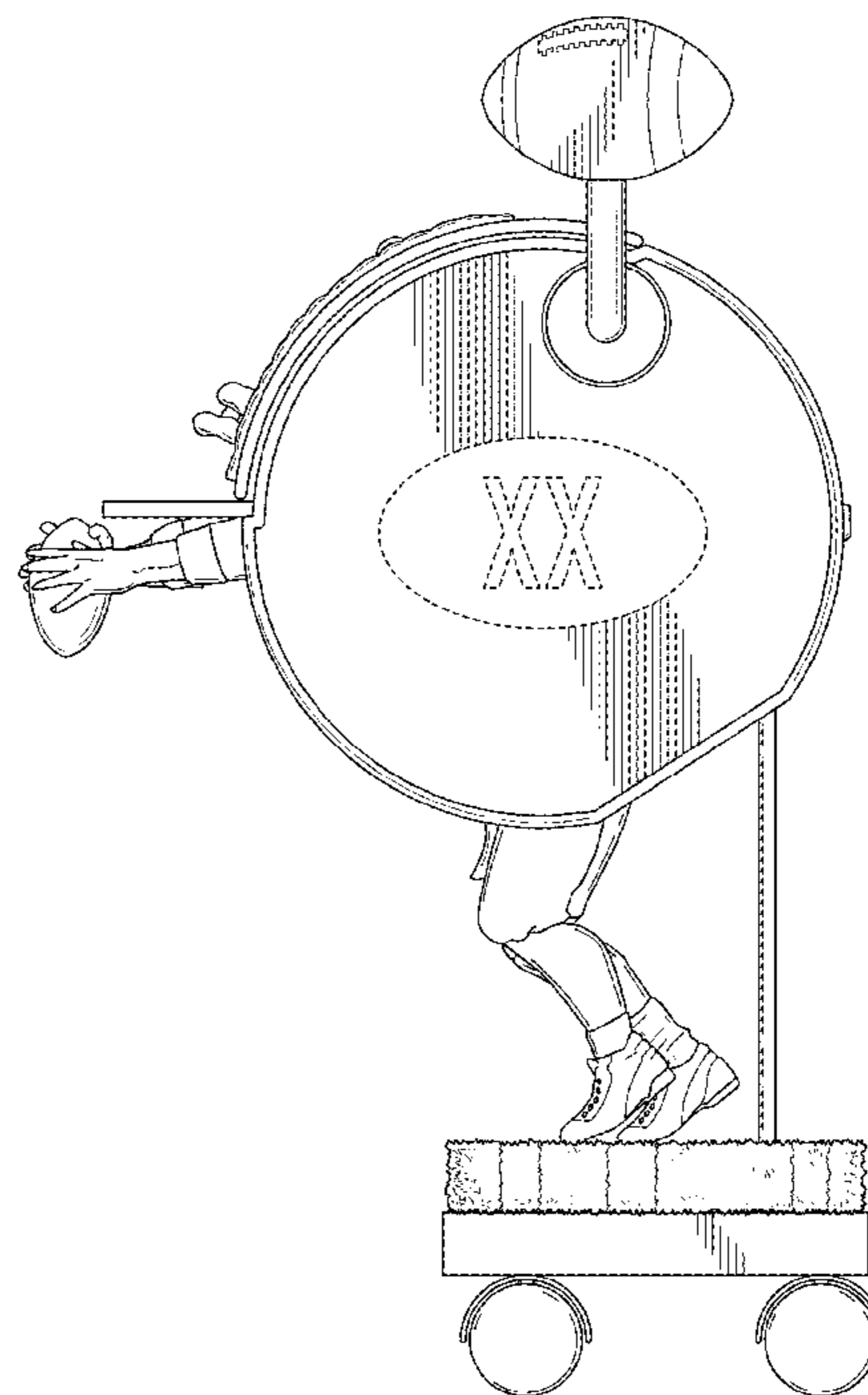
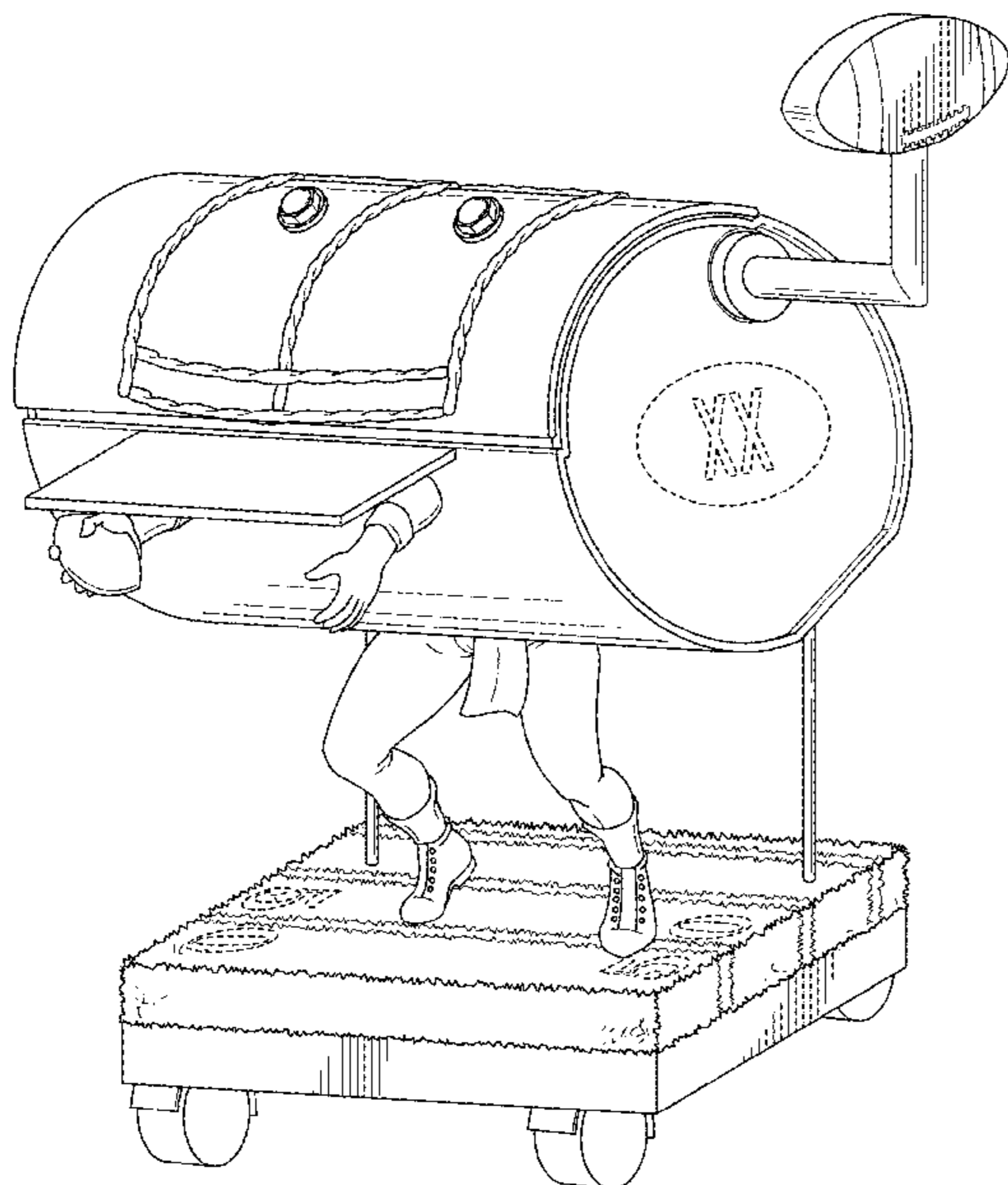
The ornamental design for a football themed grill, as shown and described.

DESCRIPTION

FIG. 1 is a front perspective view of a football themed grill showing my new design;
FIG. 2 is a front perspective view thereof showing the lid in an open position;
FIG. 3 is a front elevation view thereof;
FIG. 4 is a rear elevation view thereof;
FIG. 5 is a right side view thereof;
FIG. 6 is a left side view thereof;
FIG. 7 is a top plan view thereof; and,
FIG. 8 is a bottom plan view thereof.

The broken lines shown in the drawings are included for the purpose of illustrating environmental structure and form no part of the claimed design.

1 Claim, 8 Drawing Sheets



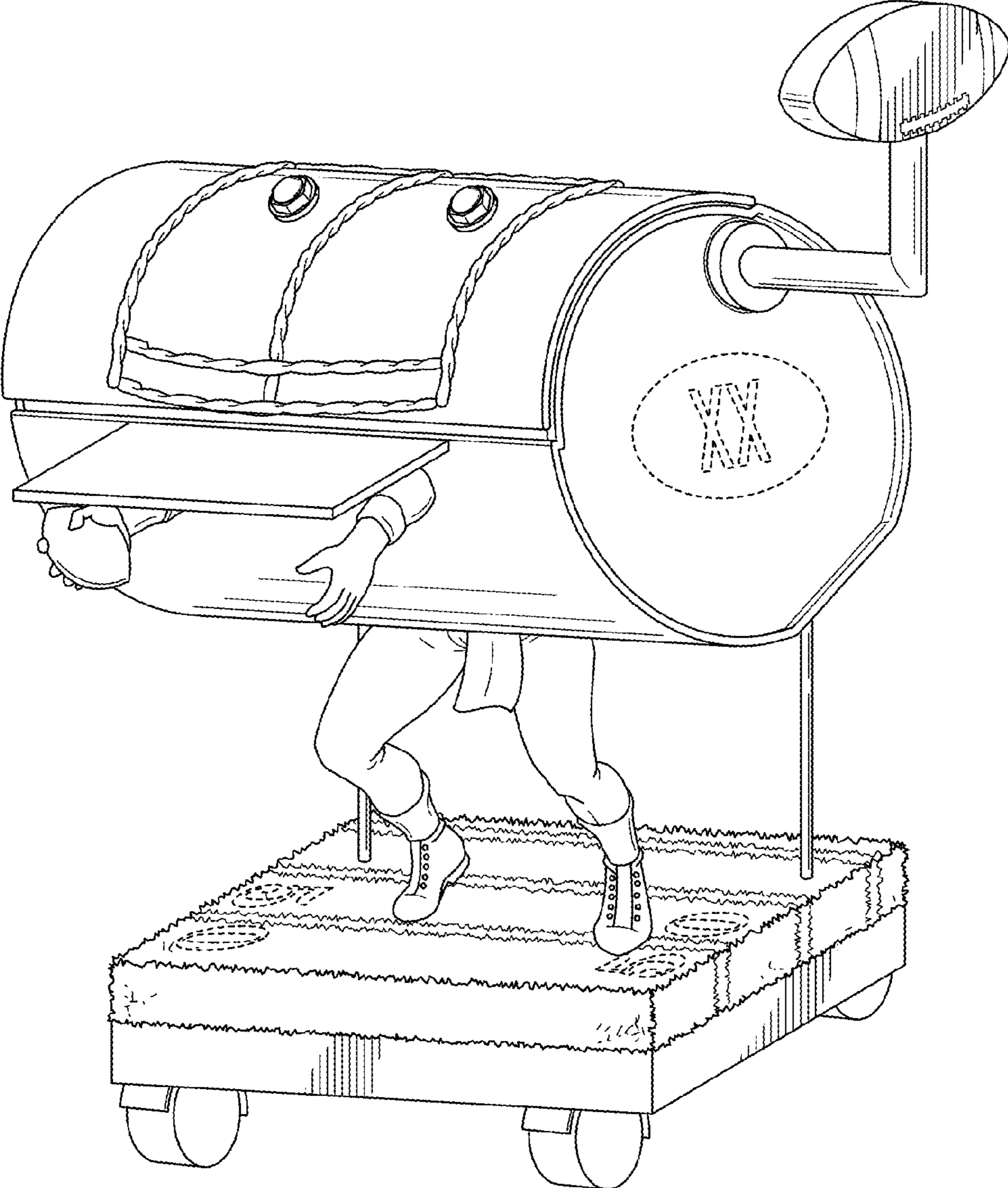


FIG. 1

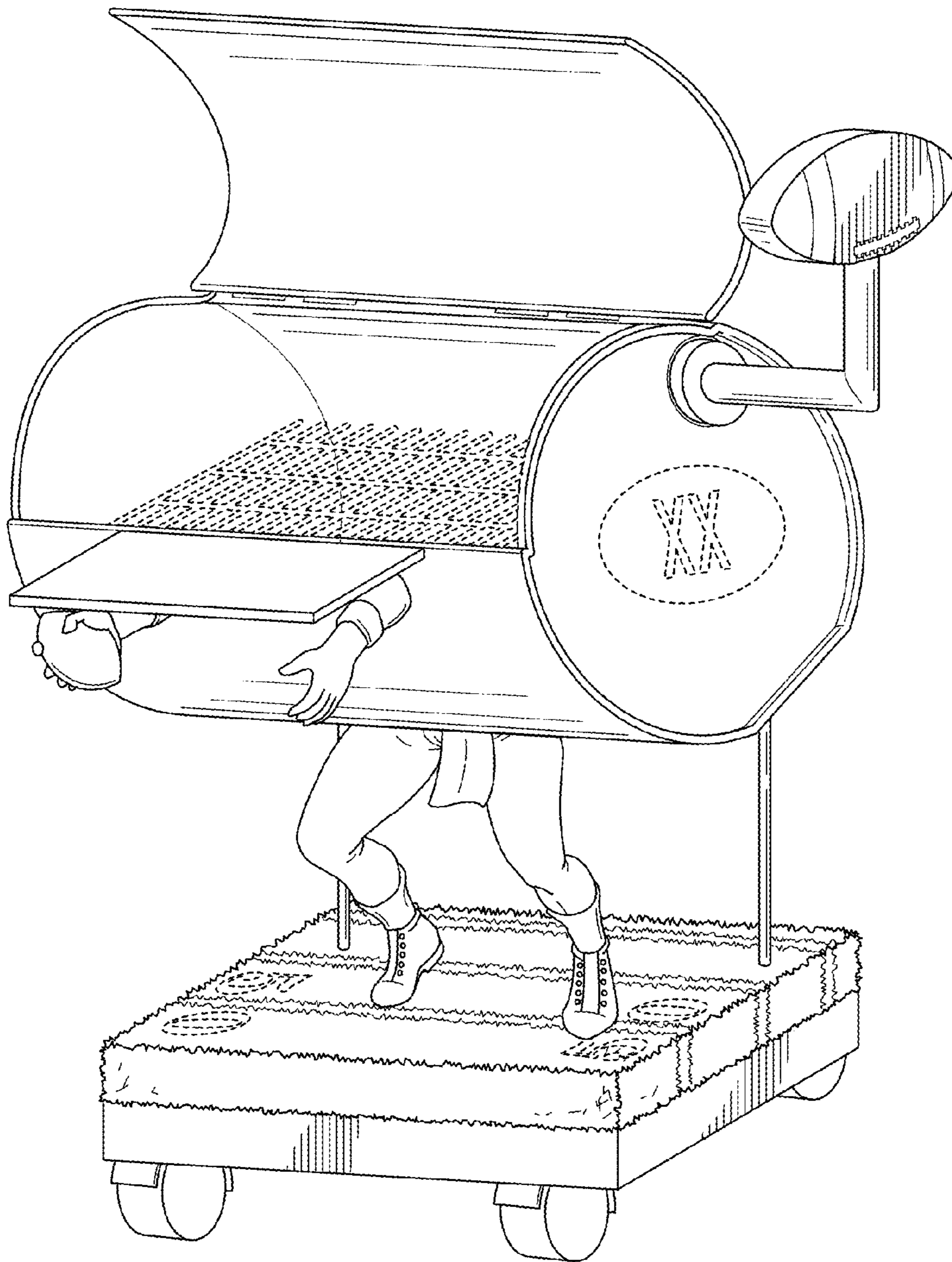


FIG. 2

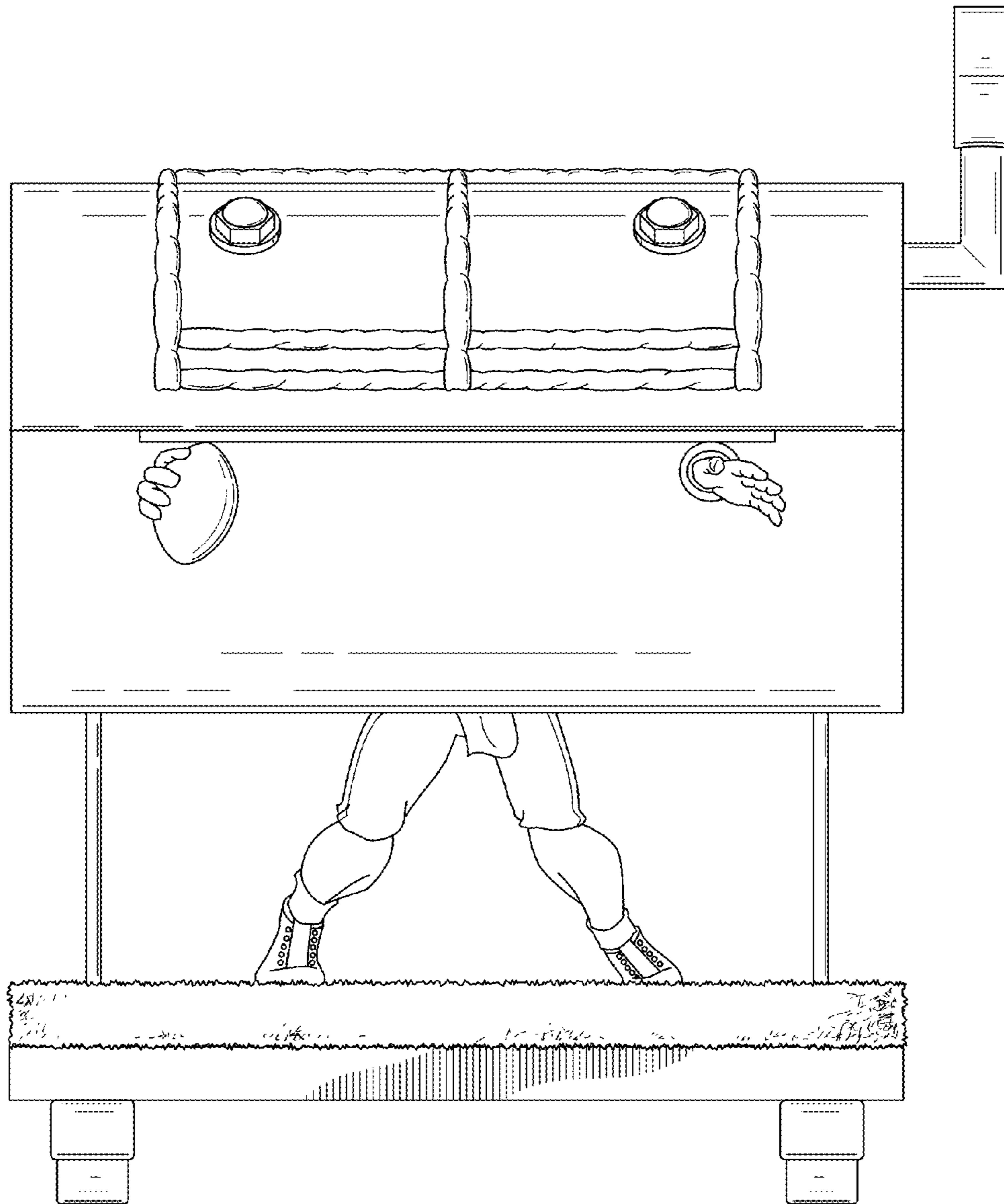


FIG. 3

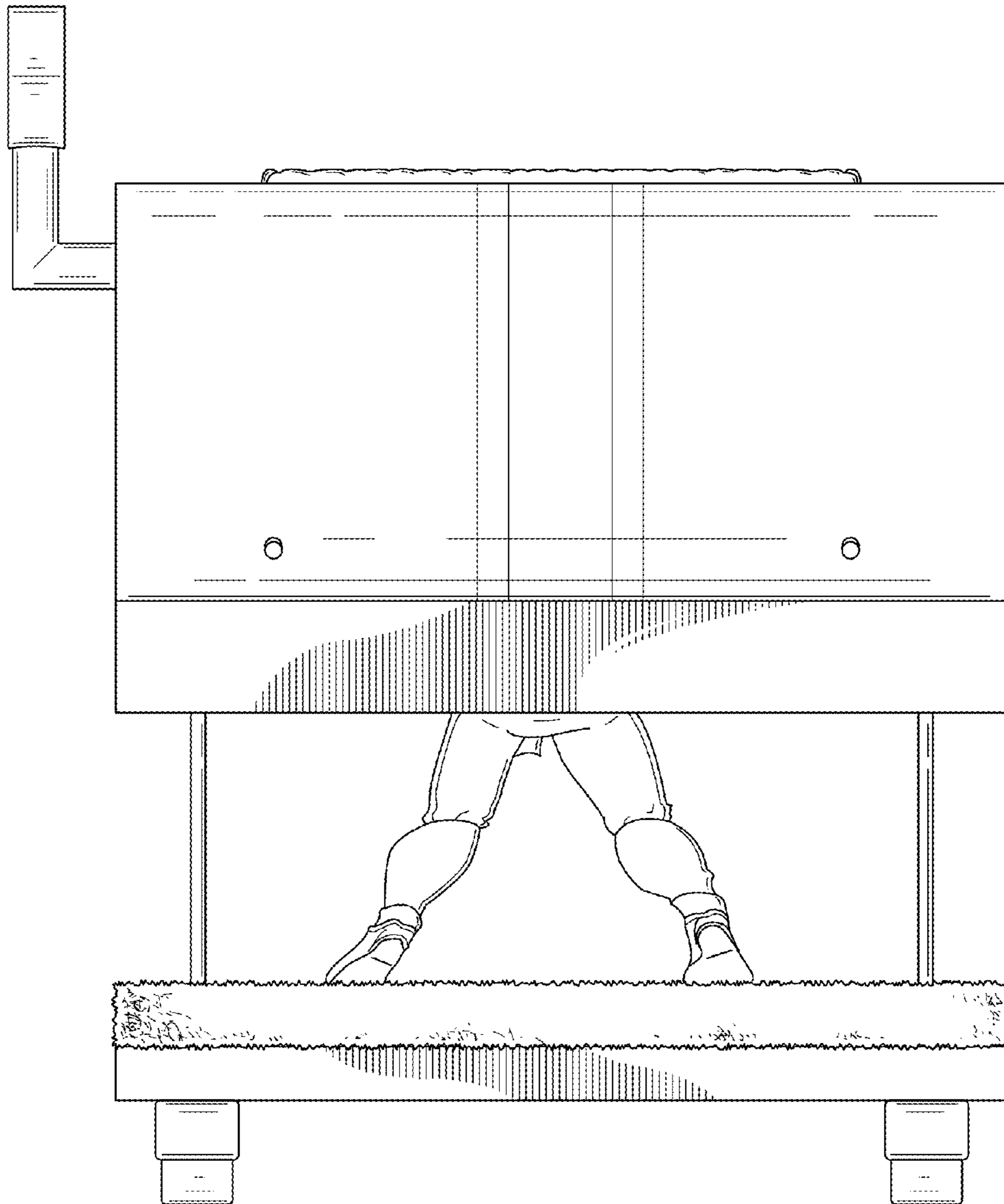


FIG. 4

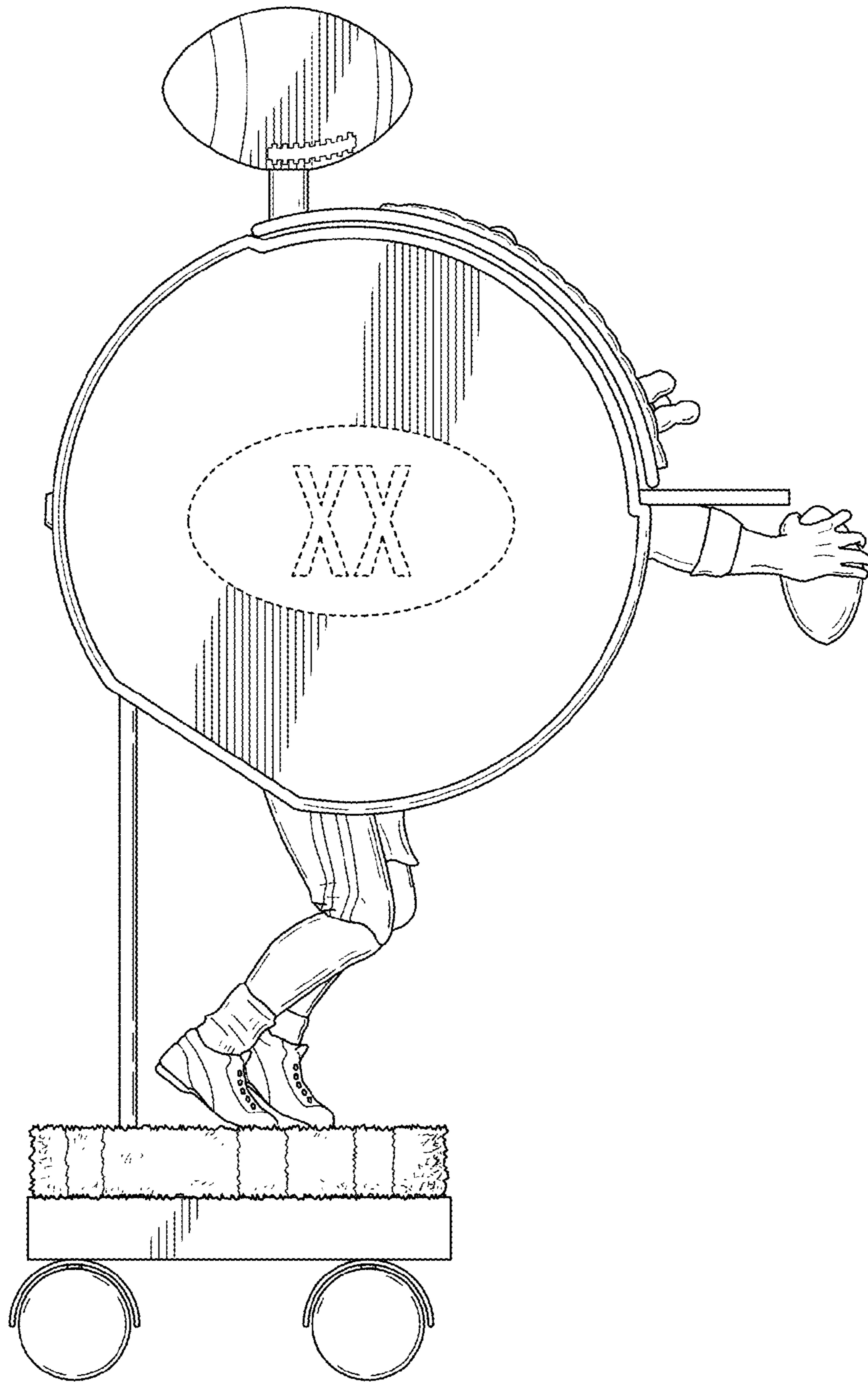


FIG. 5

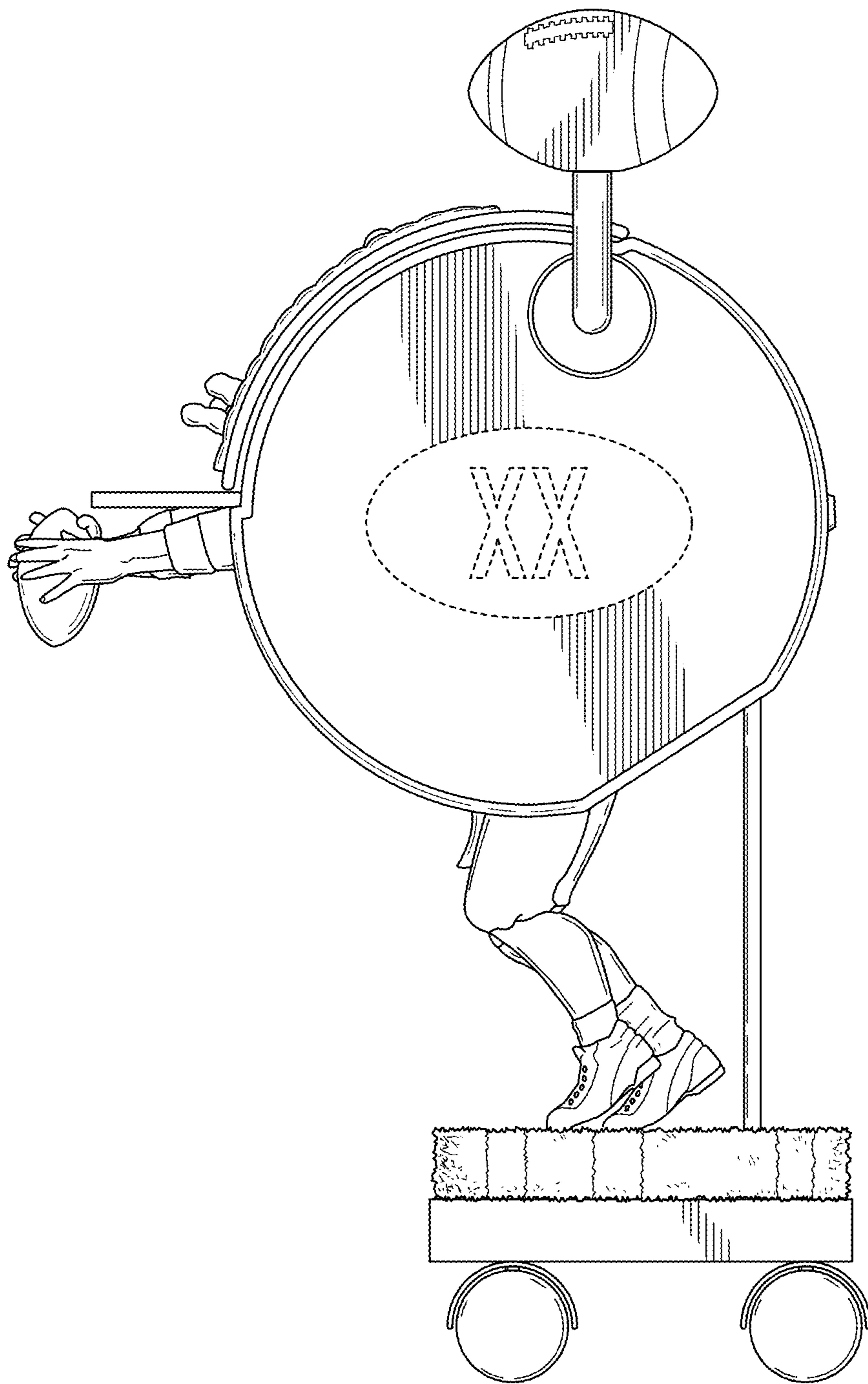


FIG. 6

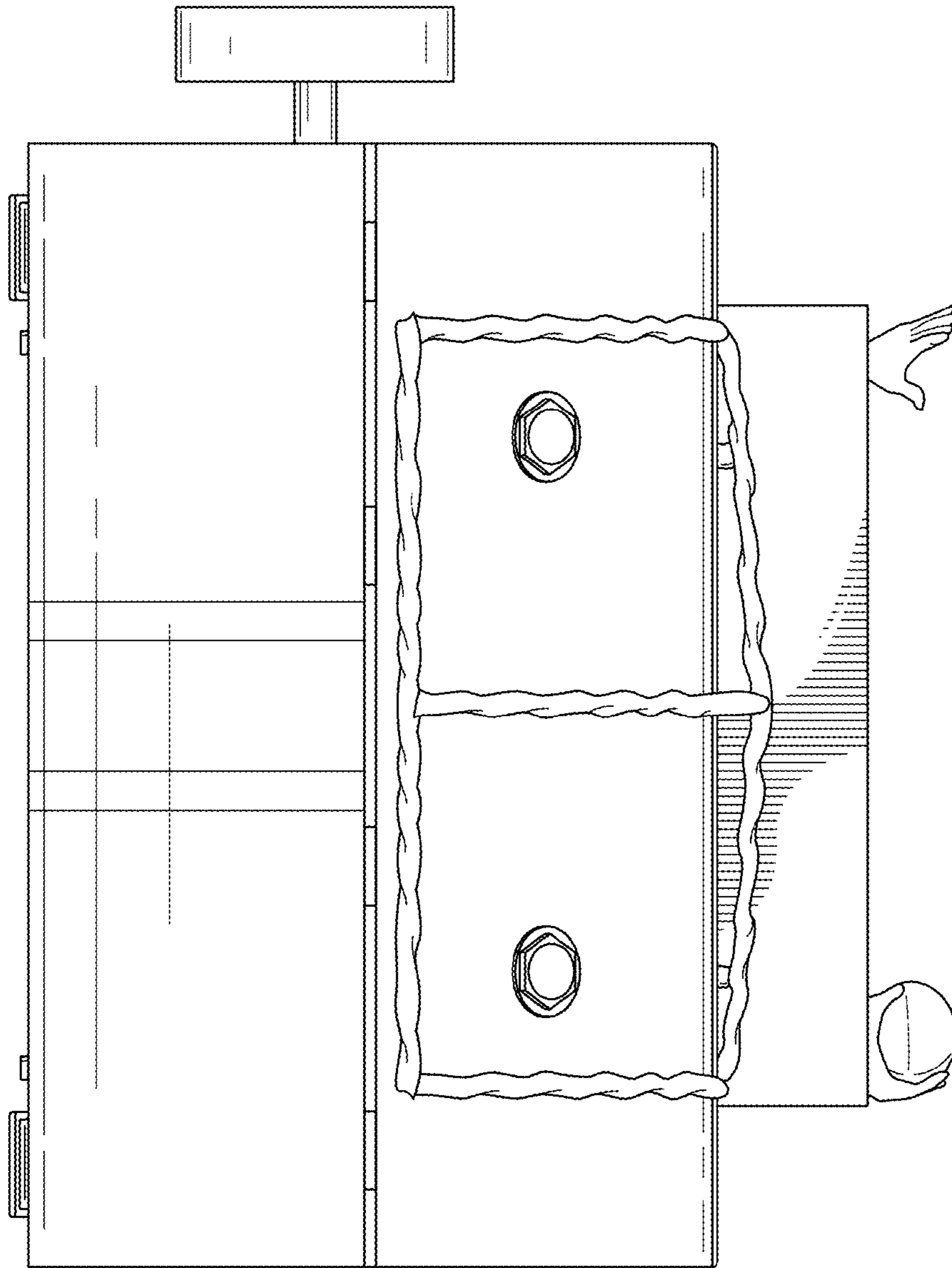


FIG. 7

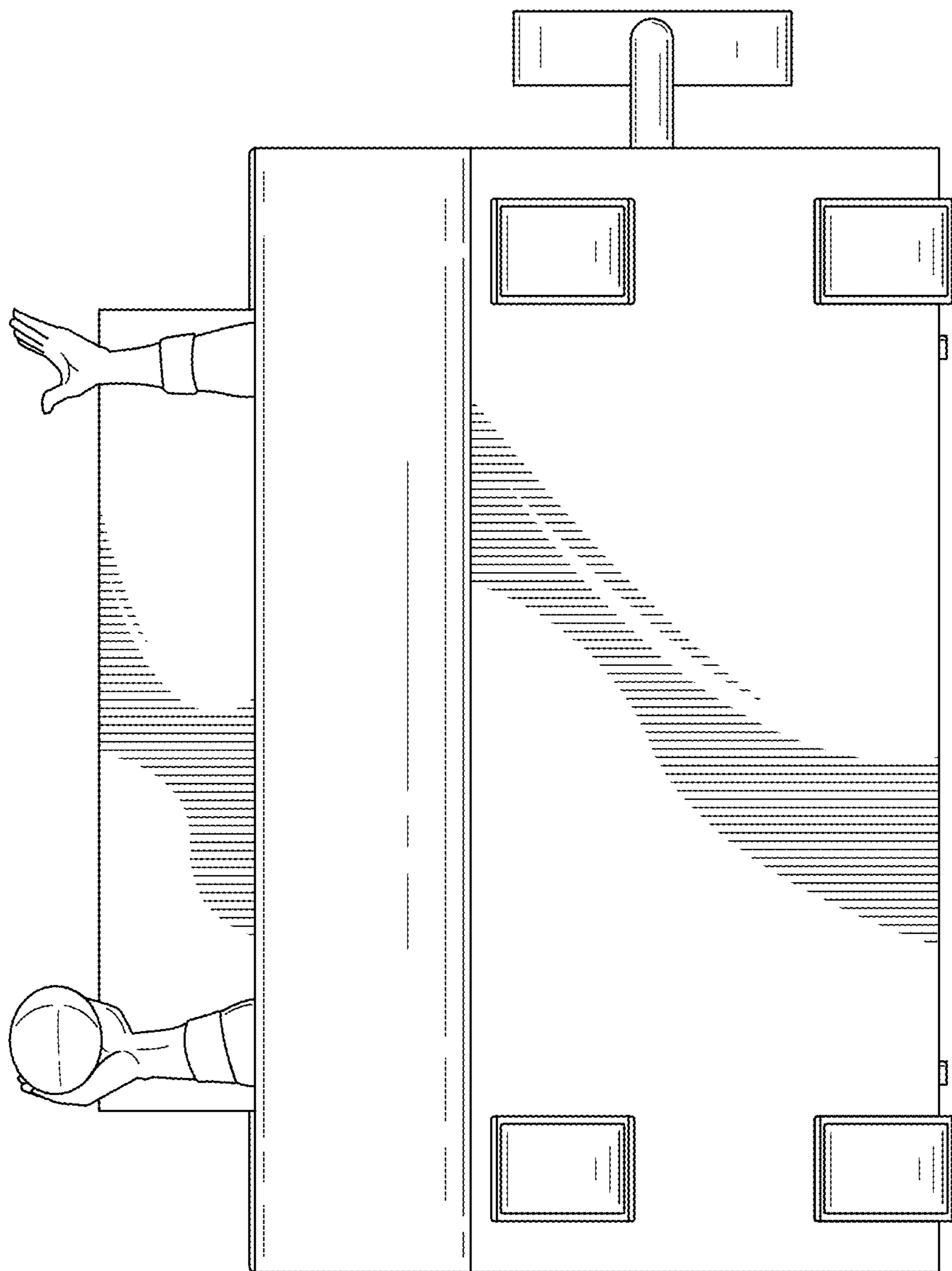


FIG. 8