



US00D712189S

(12) **United States Design Patent**
Eftink et al.

(10) **Patent No.:** **US D712,189 S**

(45) **Date of Patent:** **** Sep. 2, 2014**

(54) **BARN-SHAPED GRILL**

USPC D7/332-337, 402-409; 99/450, 481,
99/482; 108/157.13

(71) Applicants: **David Eftink**, Oran, MO (US); **Ryan D. Eftink**, Cape Girardeau, MO (US);
Adam M. Eftink, Cape Girardeau, MO (US)

See application file for complete search history.

(72) Inventors: **David Eftink**, Oran, MO (US); **Ryan D. Eftink**, Cape Girardeau, MO (US);
Adam M. Eftink, Cape Girardeau, MO (US)

(56) **References Cited**

U.S. PATENT DOCUMENTS

(73) Assignee: **Smokin Brothers, Inc.**, Sikeston, MO (US)

4,616,625	A *	10/1986	Froome	126/25 R
D293,067	S *	12/1987	Stephen et al.	D7/334
D295,136	S *	4/1988	Cox, Jr.	D7/334
4,840,118	A *	6/1989	Rinehart	99/446
D329,960	S *	10/1992	Reynolds	D7/334
D406,490	S *	3/1999	Daniels et al.	D7/334
6,143,341	A *	11/2000	Sikes	426/510
D478,463	S *	8/2003	Mouly	D7/334
D491,410	S *	6/2004	Saunders	D7/334
7,159,509	B2 *	1/2007	Starkey	99/339
D674,234	S *	1/2013	Todd	D7/334
D690,983	S *	10/2013	Eftink et al.	D7/334

(**) Term: **14 Years**

* cited by examiner

(21) Appl. No.: **29/442,685**

(22) Filed: **Apr. 19, 2013**

Primary Examiner — Ruth McInroy

Related U.S. Application Data

(74) *Attorney, Agent, or Firm* — Paul M. Denk

(63) Continuation-in-part of application No. 29/421,310, filed on Jul. 2, 2012, now Pat. No. Des. 690,983.

(51) **LOC (10) Cl.** **07-02**

(57) **CLAIM**

We claim the ornamental design for a barn-shaped grill, as shown and described.

(52) **U.S. Cl.**

USPC **D7/334**

DESCRIPTION

(58) **Field of Classification Search**

CPC A21B 1/00; A21B 1/52; A47J 33/00; A47J 36/26; A47J 36/36; A47J 37/04; A47J 37/041; A47J 37/049; A47J 37/042; A47J 37/07; A47J 37/067; A47J 37/0682; A47J 2037/0777; F24B 1/18; F24B 1/20; F24B 1/22; F24B 1/24; F24B 1/26; F24B 1/182; F24B 1/202; F24B 1/205; F24B 1/207; F24C 1/16; F24C 3/008; F24C 3/027; F24C 3/085; F24C 3/087; F24C 3/14; F24C 5/20; F24C 11/00; F24C 15/10

FIG. 1 is an isometric view of a barn-shaped grill showing our new design;

FIG. 2 is a front view;

FIG. 3 is a back view;

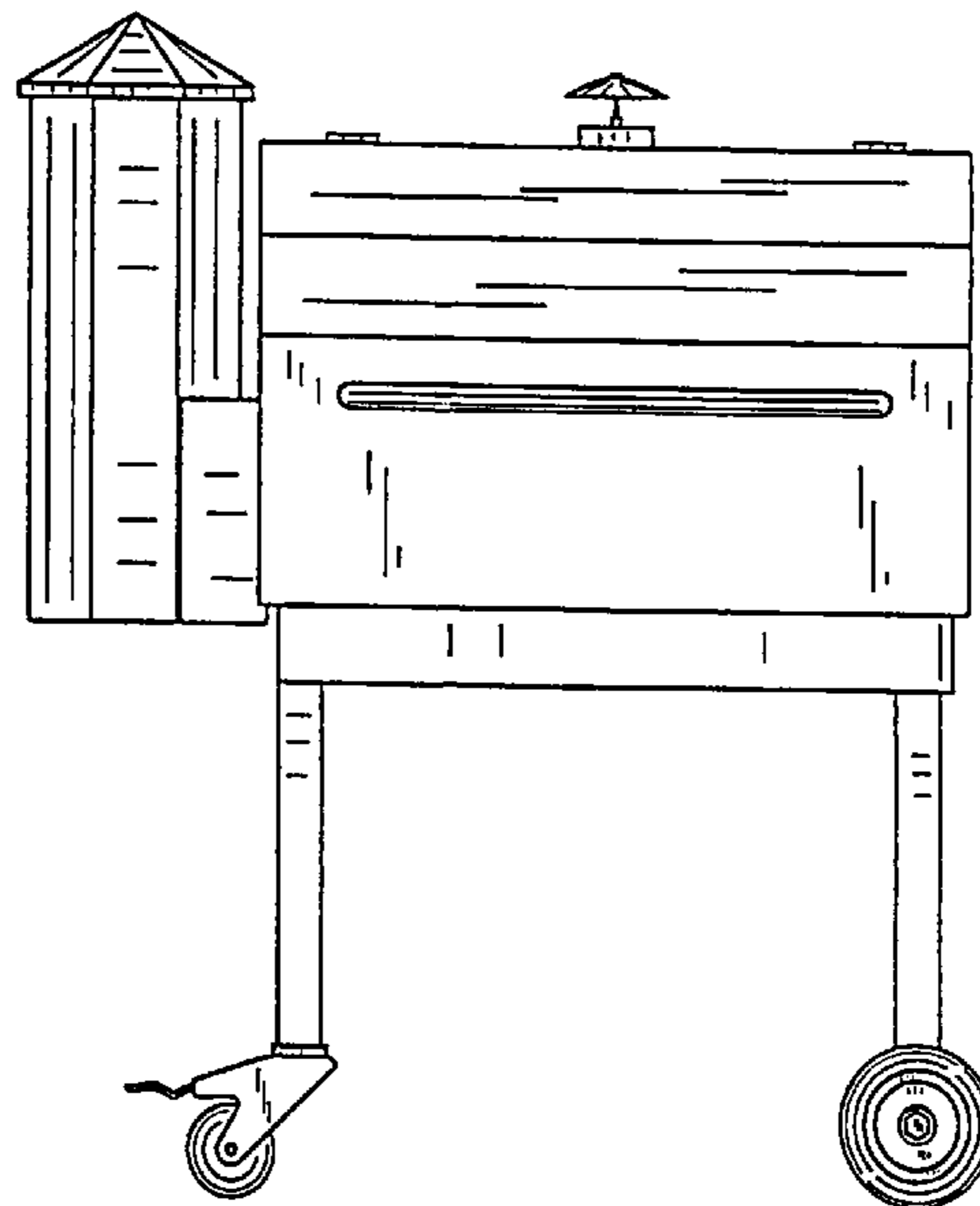
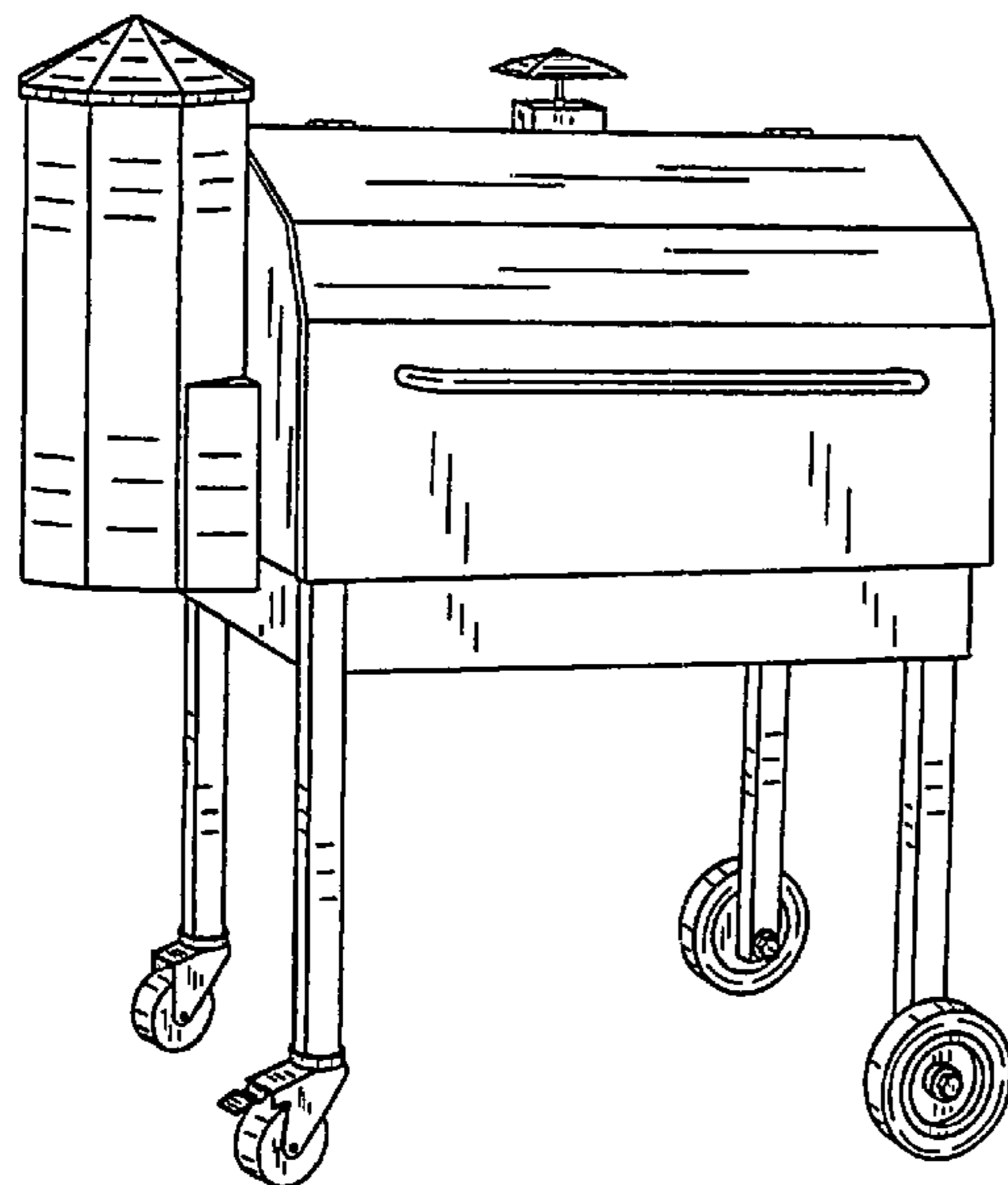
FIG. 4 is a left side view;

FIG. 5 is a right side view;

FIG. 6 is a top view; and,

FIG. 7 is a bottom view.

1 Claim, 3 Drawing Sheets



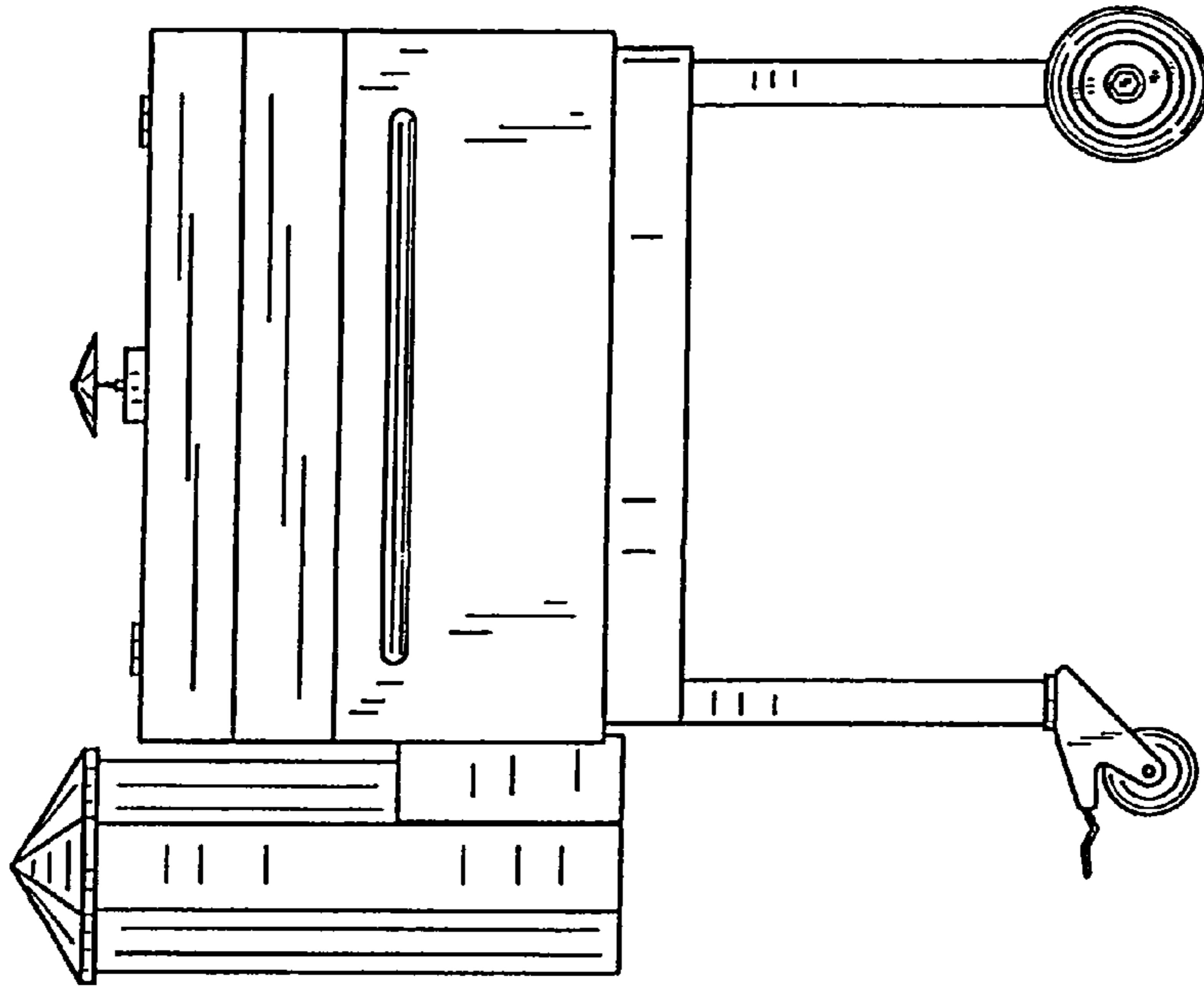


FIG. 2

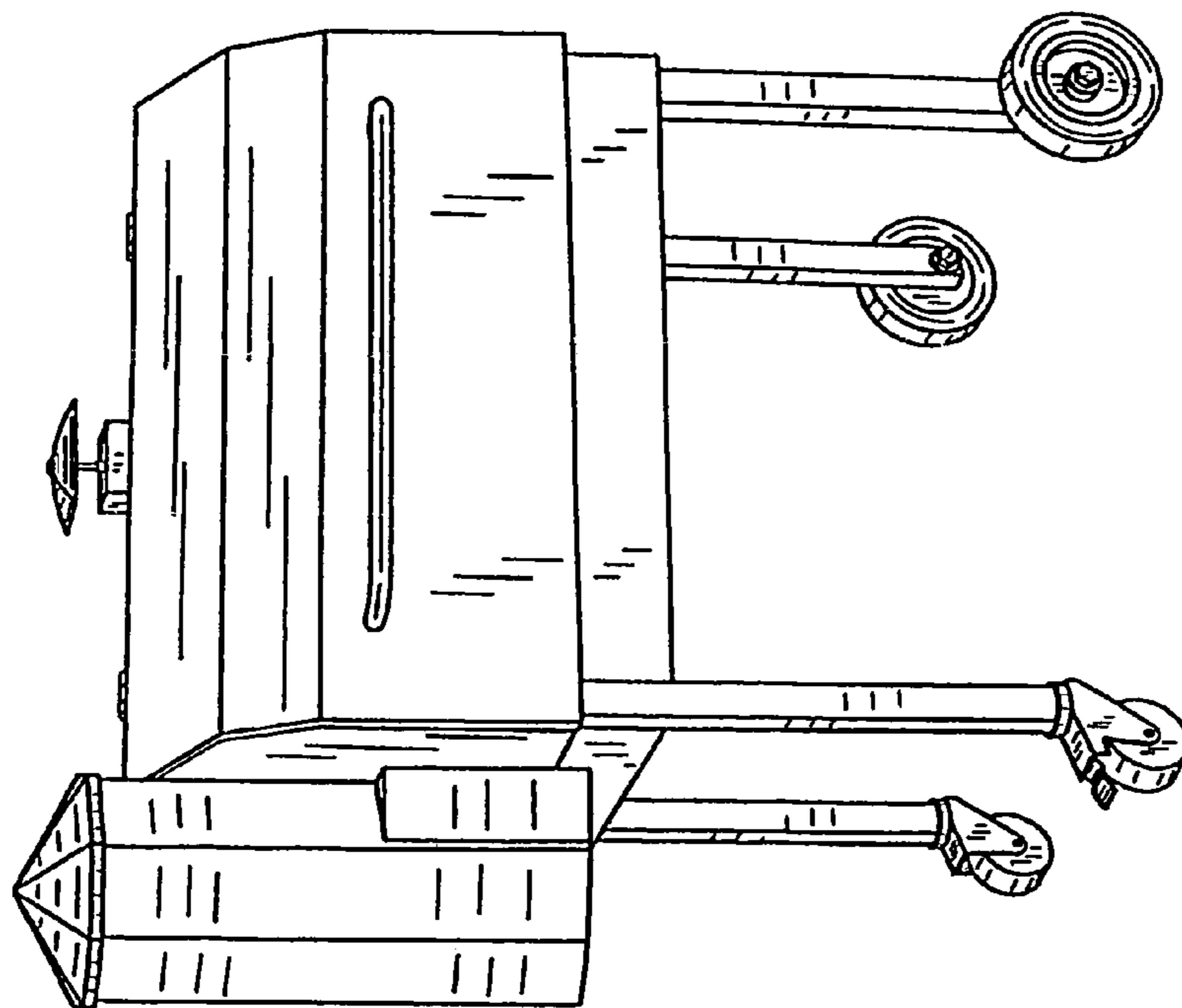


FIG. 1

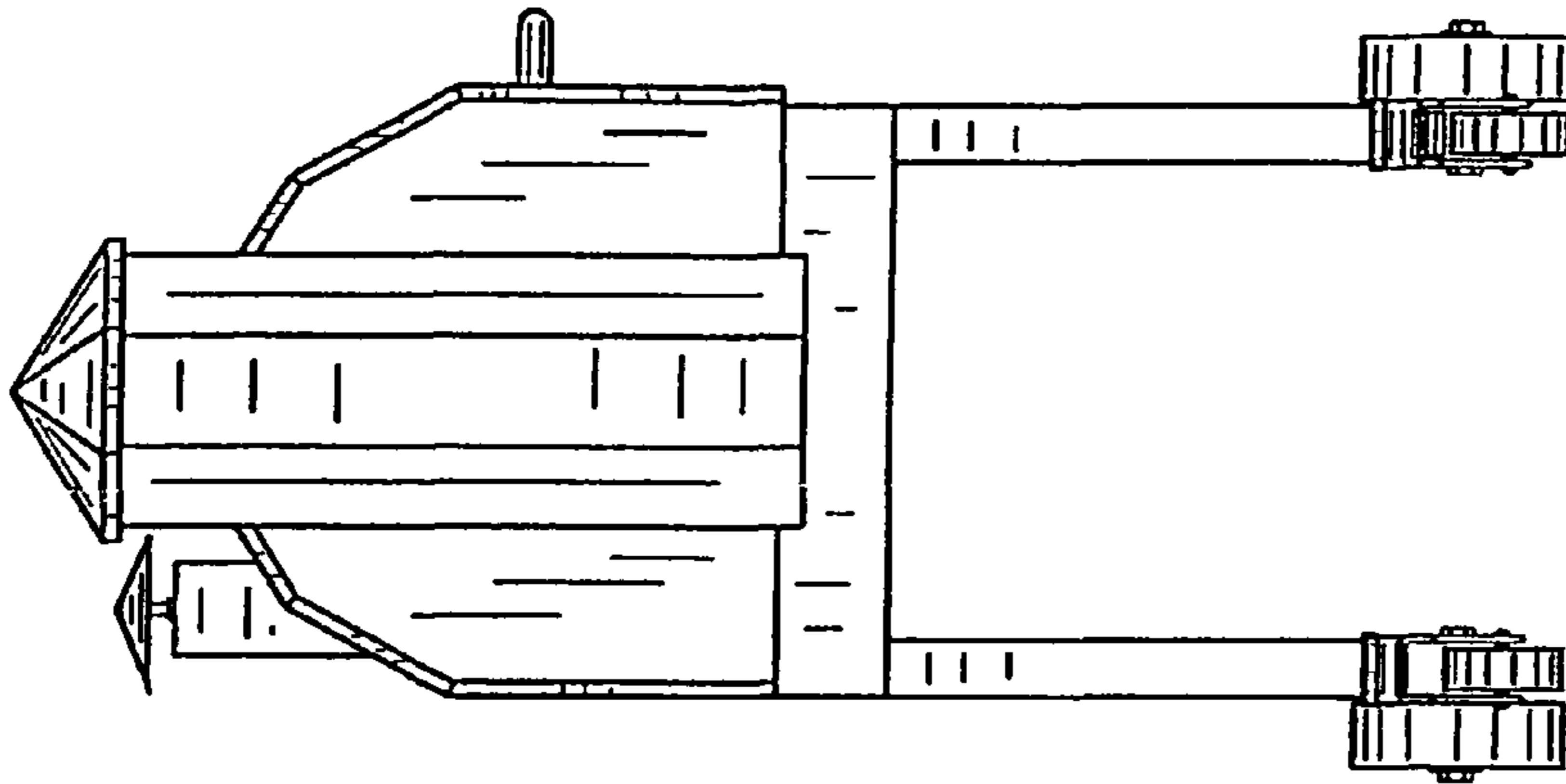


FIG. 4

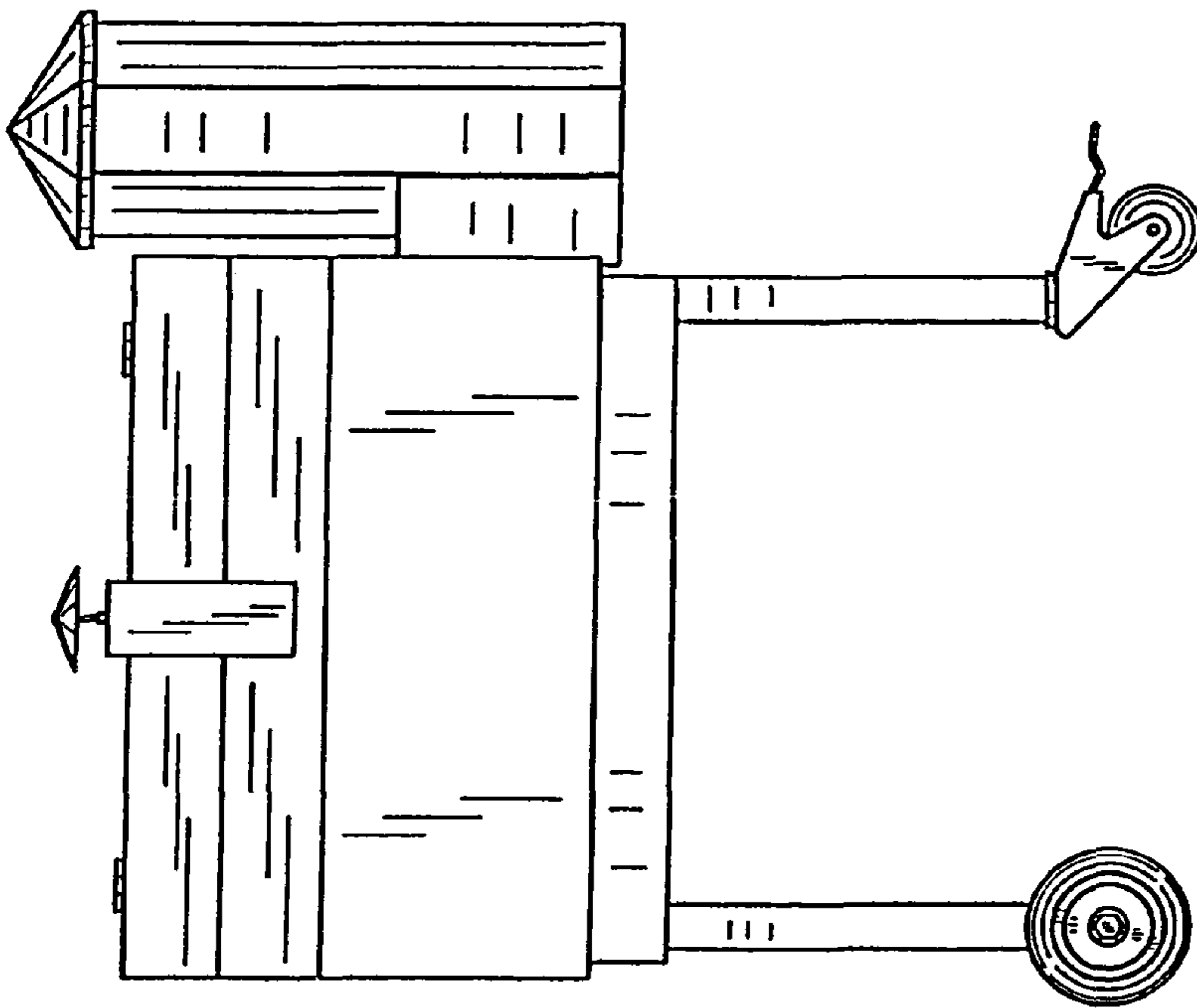


FIG. 3

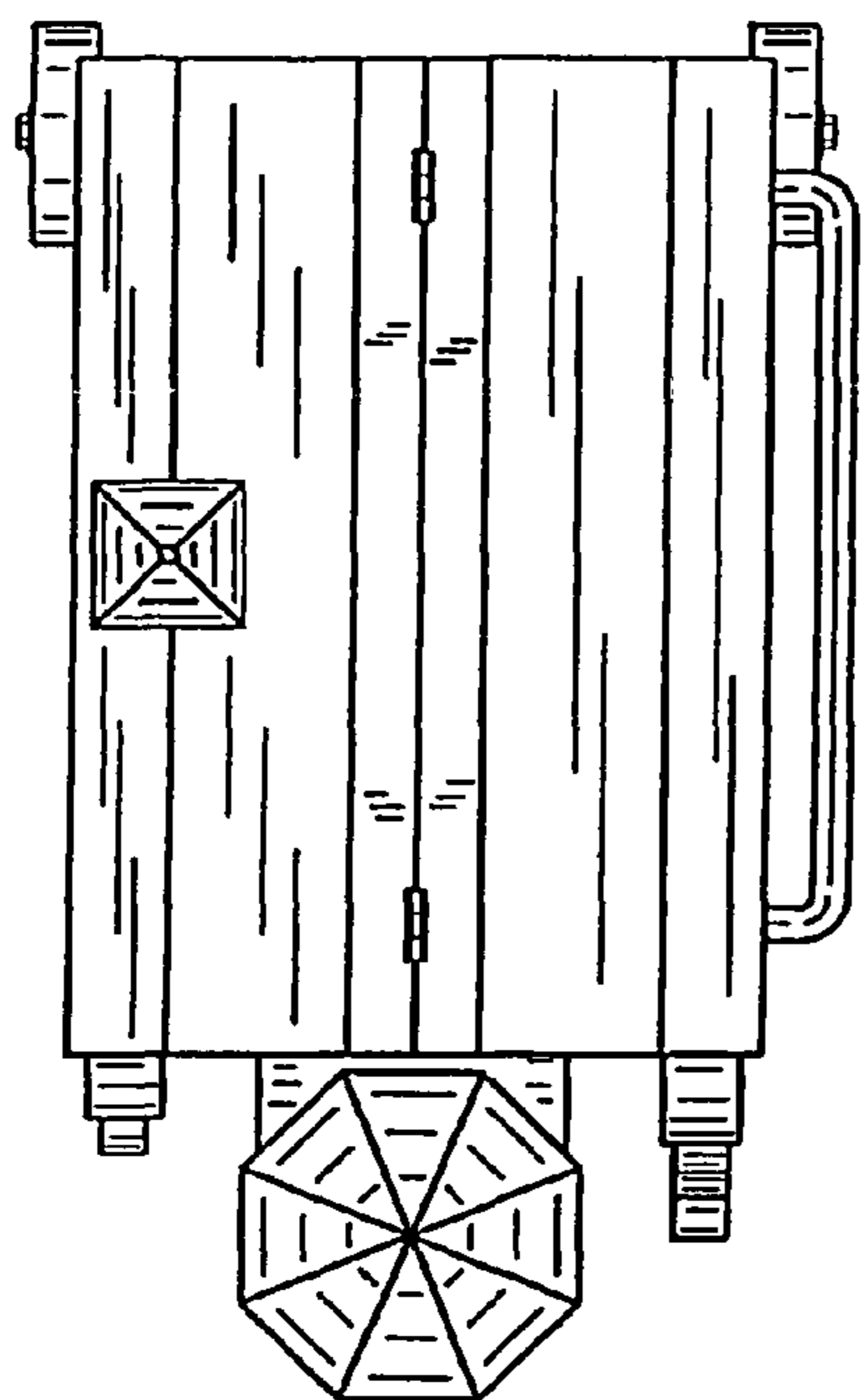


FIG. 6

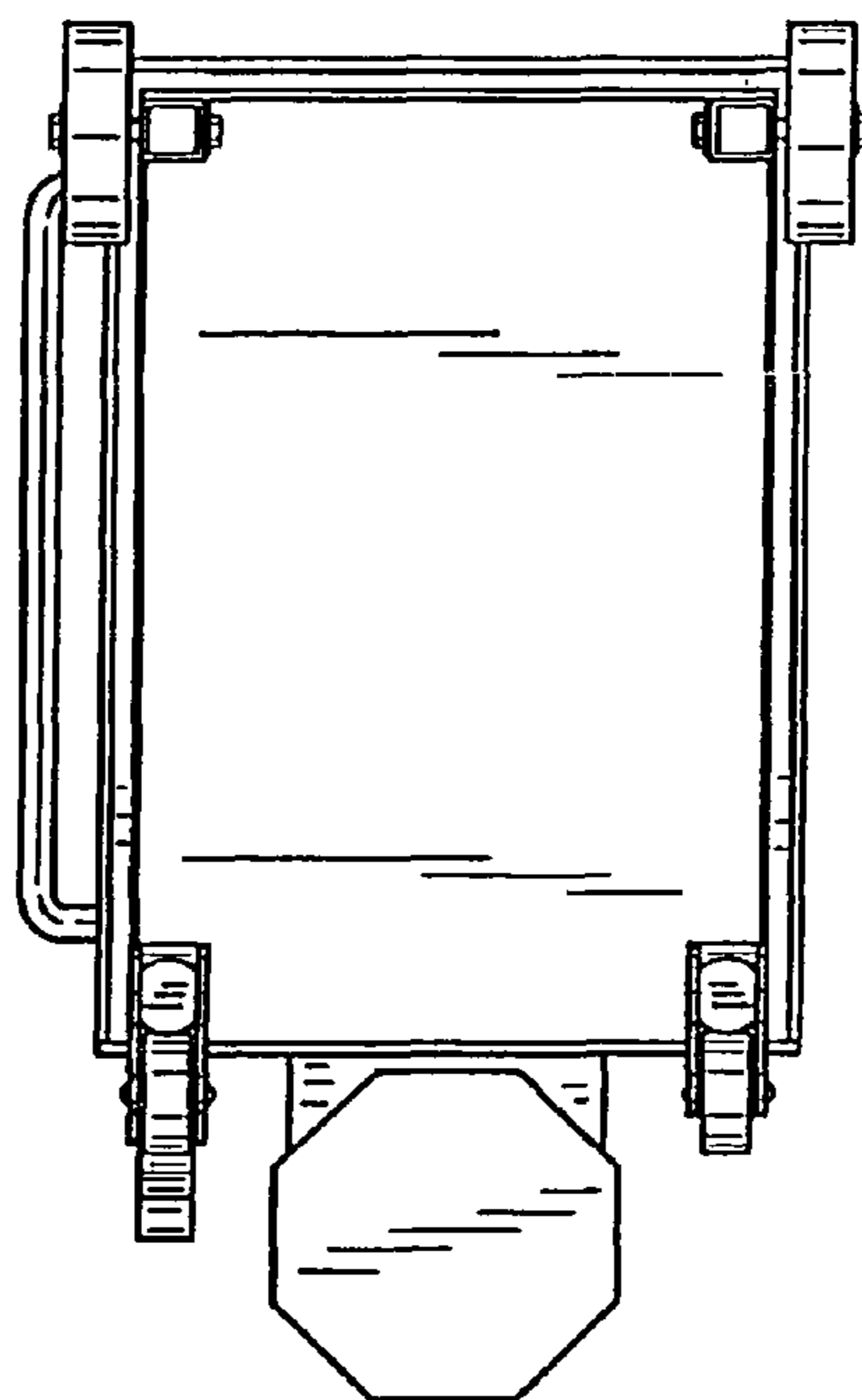


FIG. 7

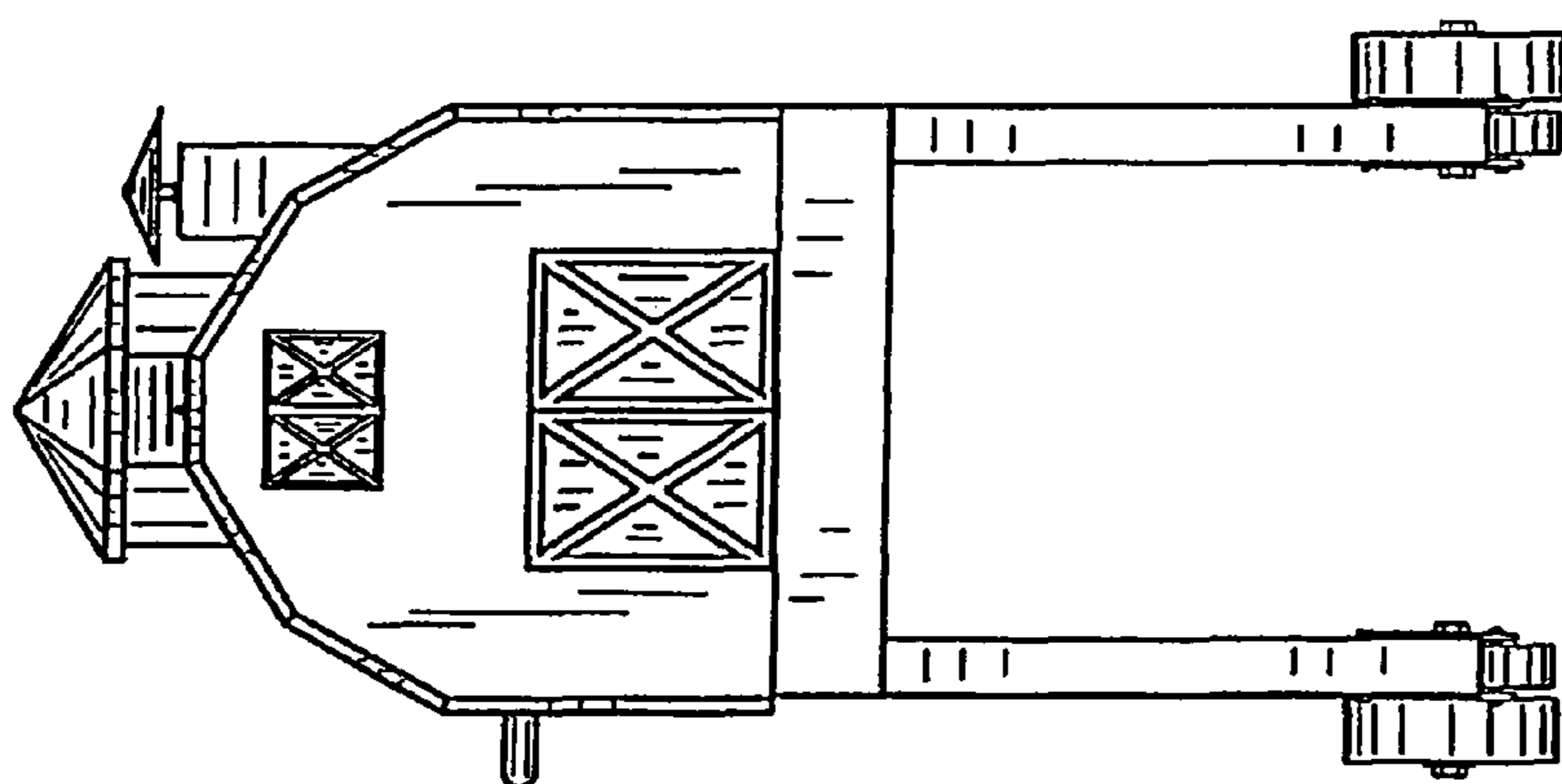


FIG. 5