

US00D712188S

(12) **United States Design Patent**  
**Averty**

(10) **Patent No.:** **US D712,188 S**

(45) **Date of Patent:** **\*\* Sep. 2, 2014**

(54) **ELECTRIC COFFEE MAKER**

D552,402 S \* 10/2007 Schwamkrug ..... D7/309  
D584,922 S \* 1/2009 Spiegel ..... D7/397  
D703,989 S \* 5/2014 Garman ..... D7/305

(71) Applicant: **SEB**, Selongey (FR)

\* cited by examiner

(72) Inventor: **Lionel Averty**, Dijon (FR)

*Primary Examiner* — Marianne Pandozzi

(73) Assignee: **SEB**, Selongey (FR)

(74) *Attorney, Agent, or Firm* — Loeb & Loeb LLP

(\*\*) Term: **14 Years**

(21) Appl. No.: **29/457,680**

(57) **CLAIM**

The ornamental design for an electric coffee maker, as shown and described.

(22) Filed: **Jun. 12, 2013**

(30) **Foreign Application Priority Data**

**DESCRIPTION**

Dec. 17, 2012 (EM) ..... 001355002-0001

(51) **LOC (10) Cl.** ..... **07-01**

(52) **U.S. Cl.**  
USPC ..... **D7/310; D7/309; D7/311**

(58) **Field of Classification Search**  
USPC ..... D7/306-311, 300; 99/305, 300, 293,  
99/279, 290; D23/207, 209  
See application file for complete search history.

FIG. 1 is a perspective view of an embodiment of an electric coffee maker showing my new design.

FIG. 2 is a front elevational view of the electric coffee maker of FIG. 1.

FIG. 3 is a rear elevational view of the electric coffee maker of FIG. 1.

FIG. 4 is a right side elevational view of the electric coffee maker of FIG. 1.

FIG. 5 is a left side elevational view of the electric coffee maker of FIG. 1.

FIG. 6 is a top plan view of the electric coffee maker of FIG. 1; and,

FIG. 7 is a bottom plan view of the electric coffee maker of FIG. 1.

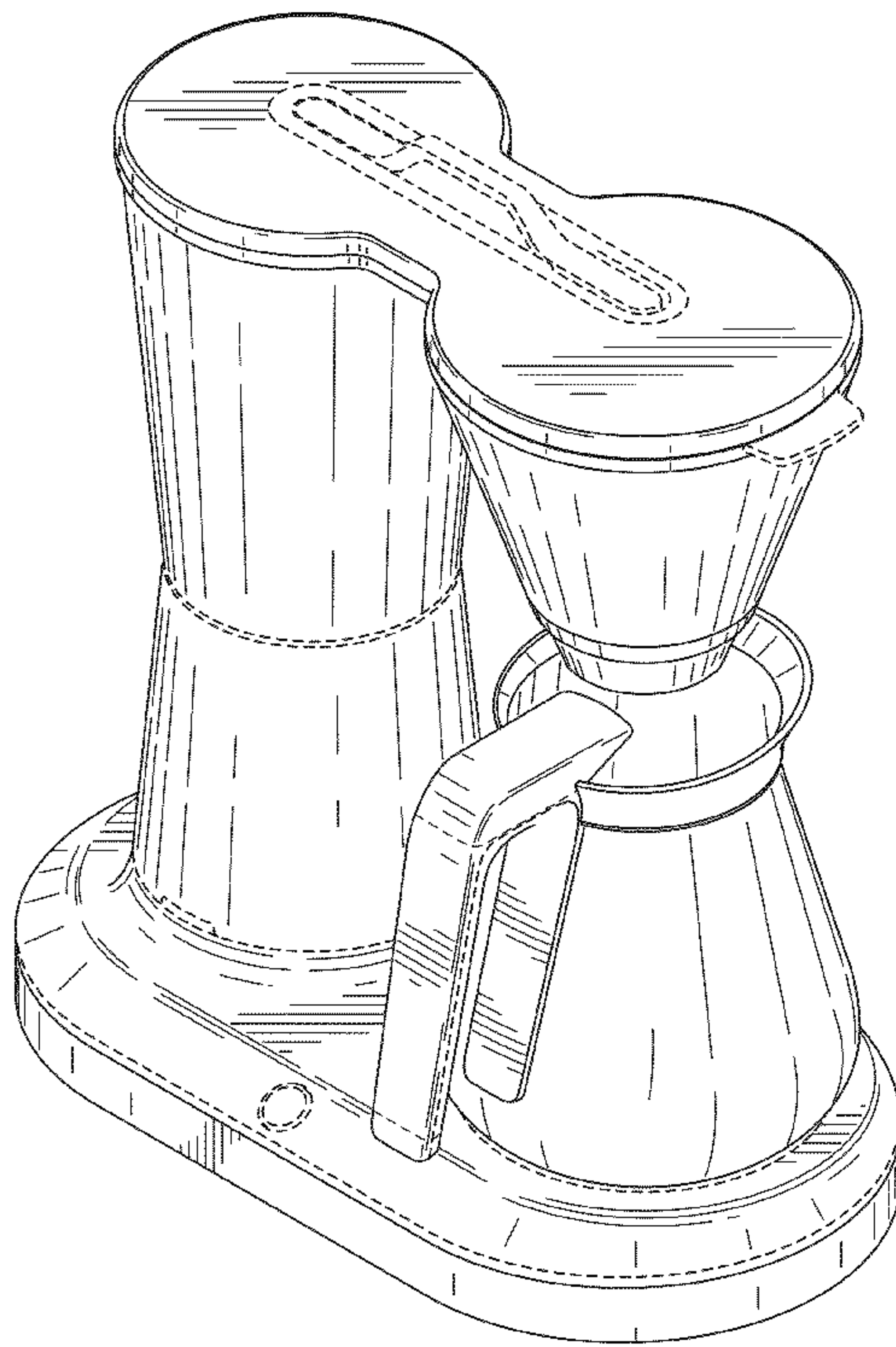
The broken lines appearing in the figures are for the purpose of illustrating the environmental structure of the article of the claimed design and form no part of the claimed design.

(56) **References Cited**

**U.S. PATENT DOCUMENTS**

D220,579 S \* 4/1971 Wickenberg ..... D7/309  
D240,386 S \* 7/1976 Stuetzer ..... D7/309  
D254,892 S \* 5/1980 Smit ..... D7/309  
D390,409 S \* 2/1998 Littmann ..... D7/309  
D402,153 S \* 12/1998 Saltet ..... D7/309  
D404,604 S \* 1/1999 Pochopien et al. .... D7/309  
D507,449 S \* 7/2005 Burton et al. .... D7/309

**1 Claim, 7 Drawing Sheets**



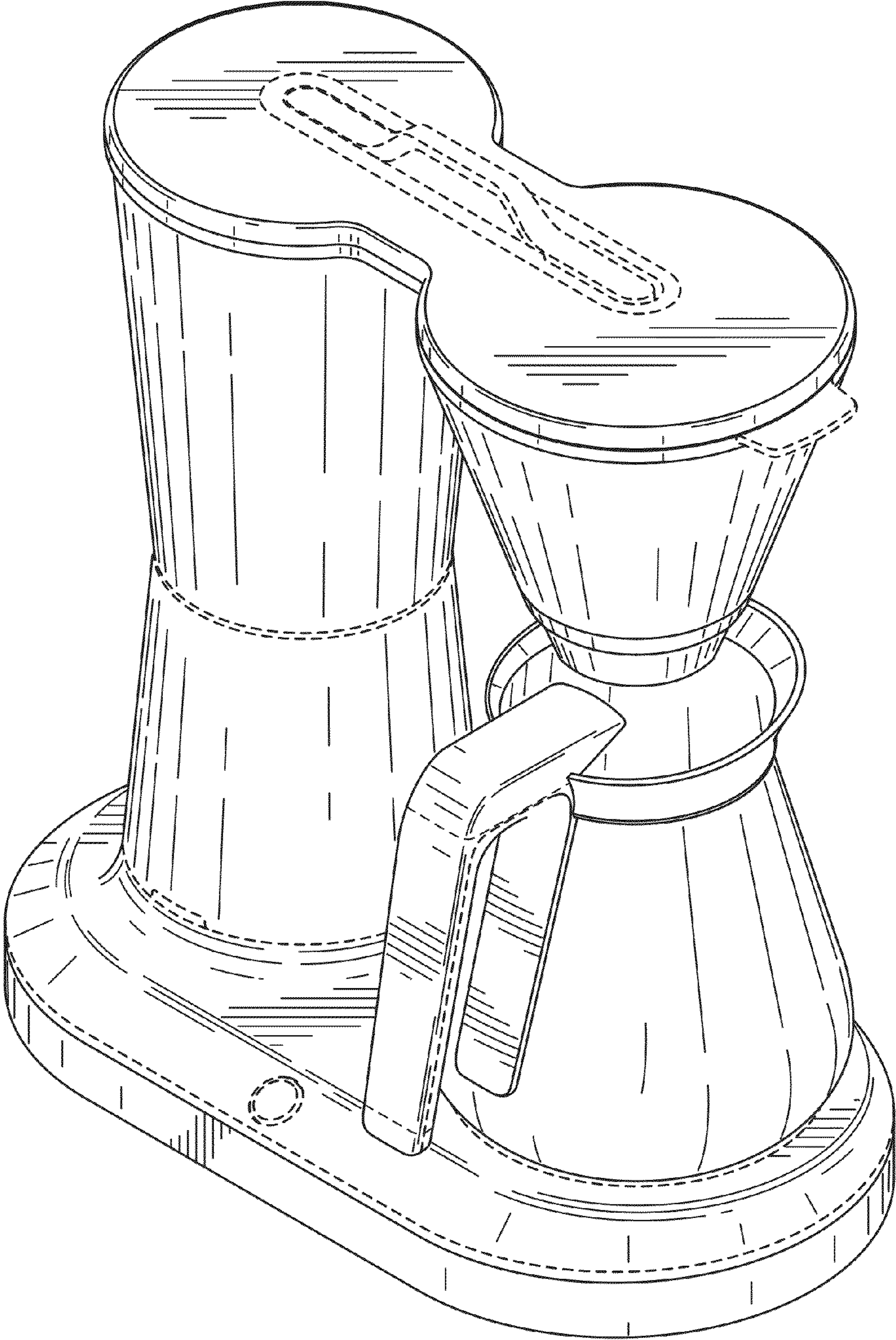


Fig. 1

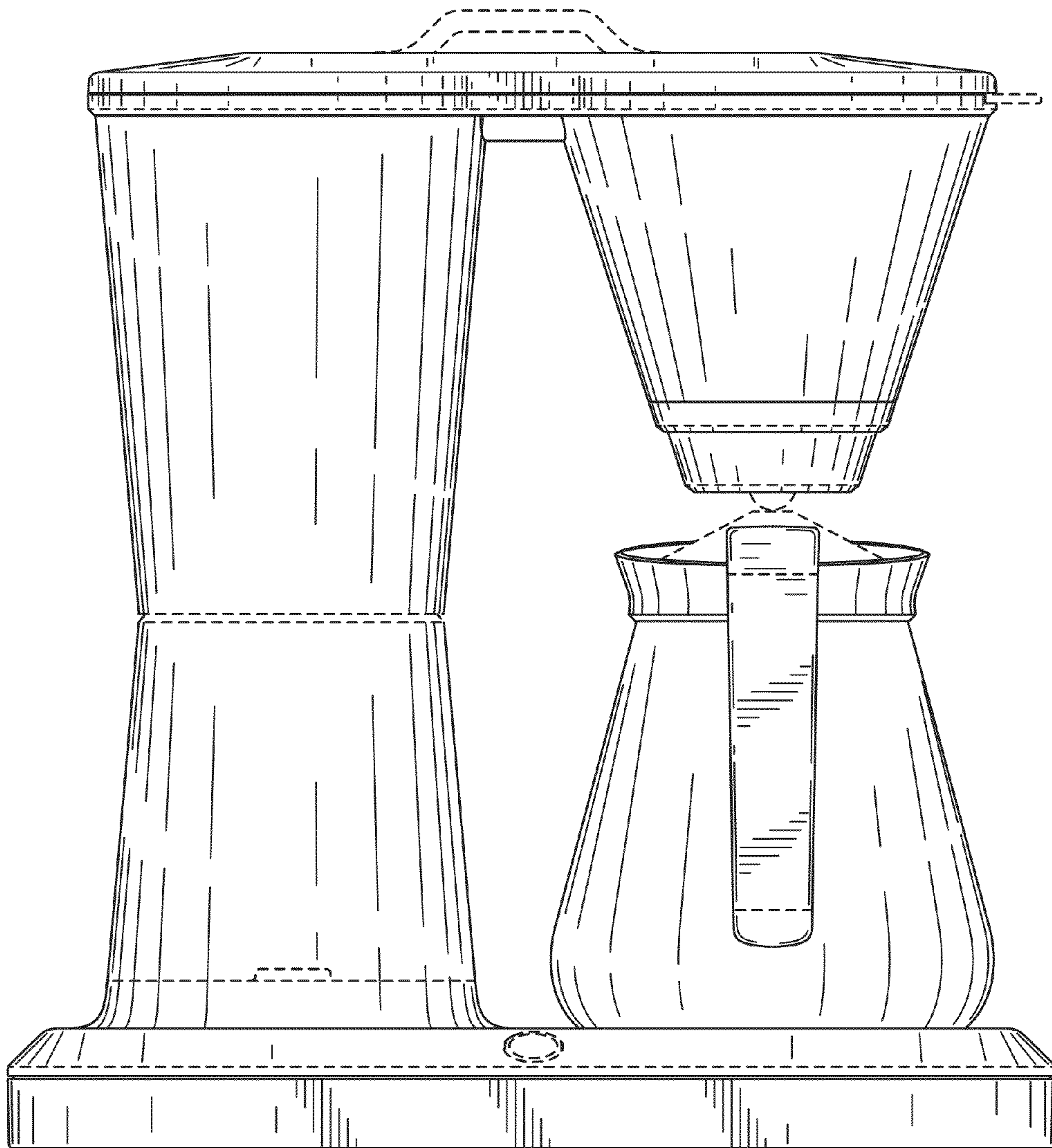


Fig. 2



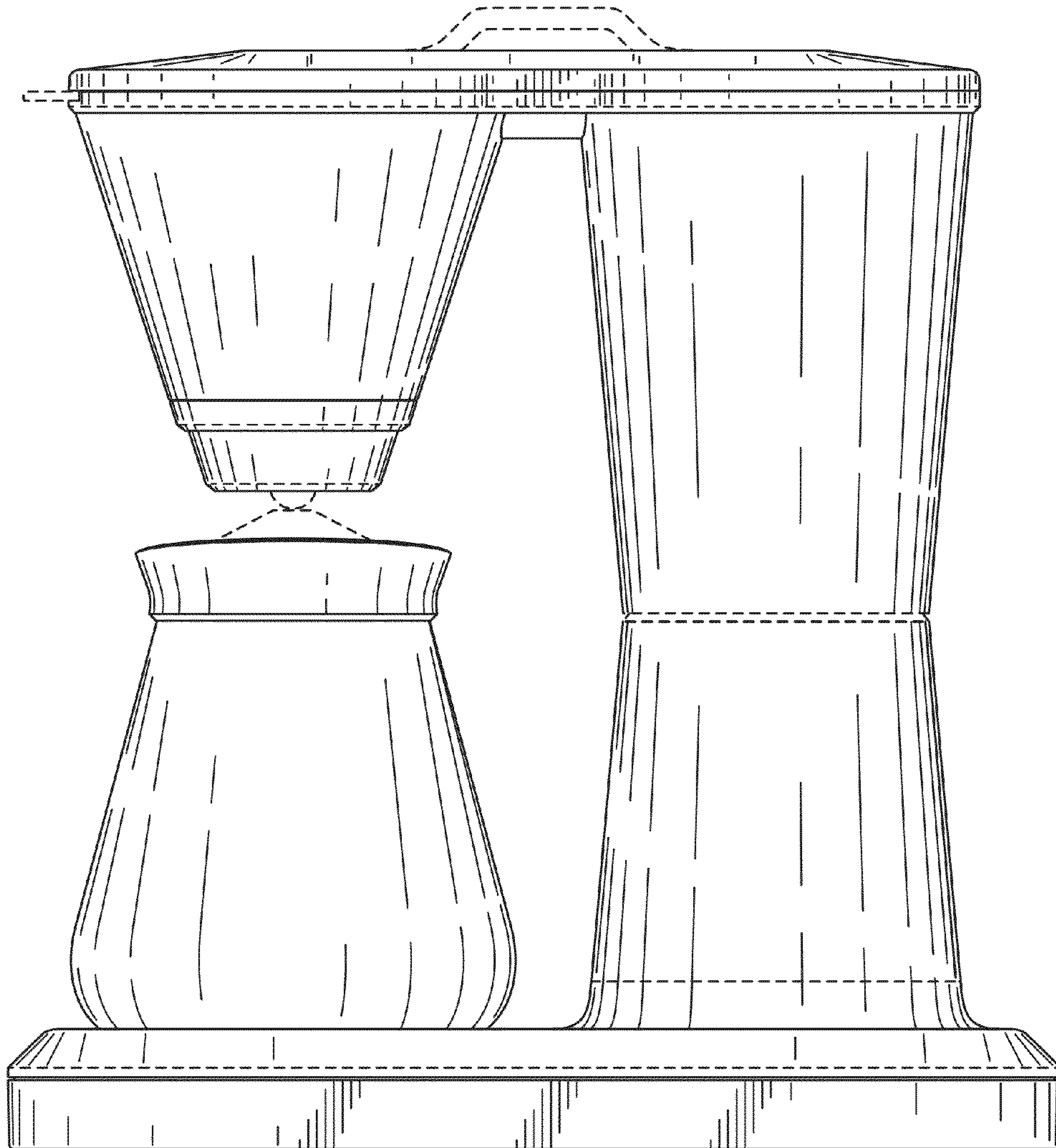


Fig. 3

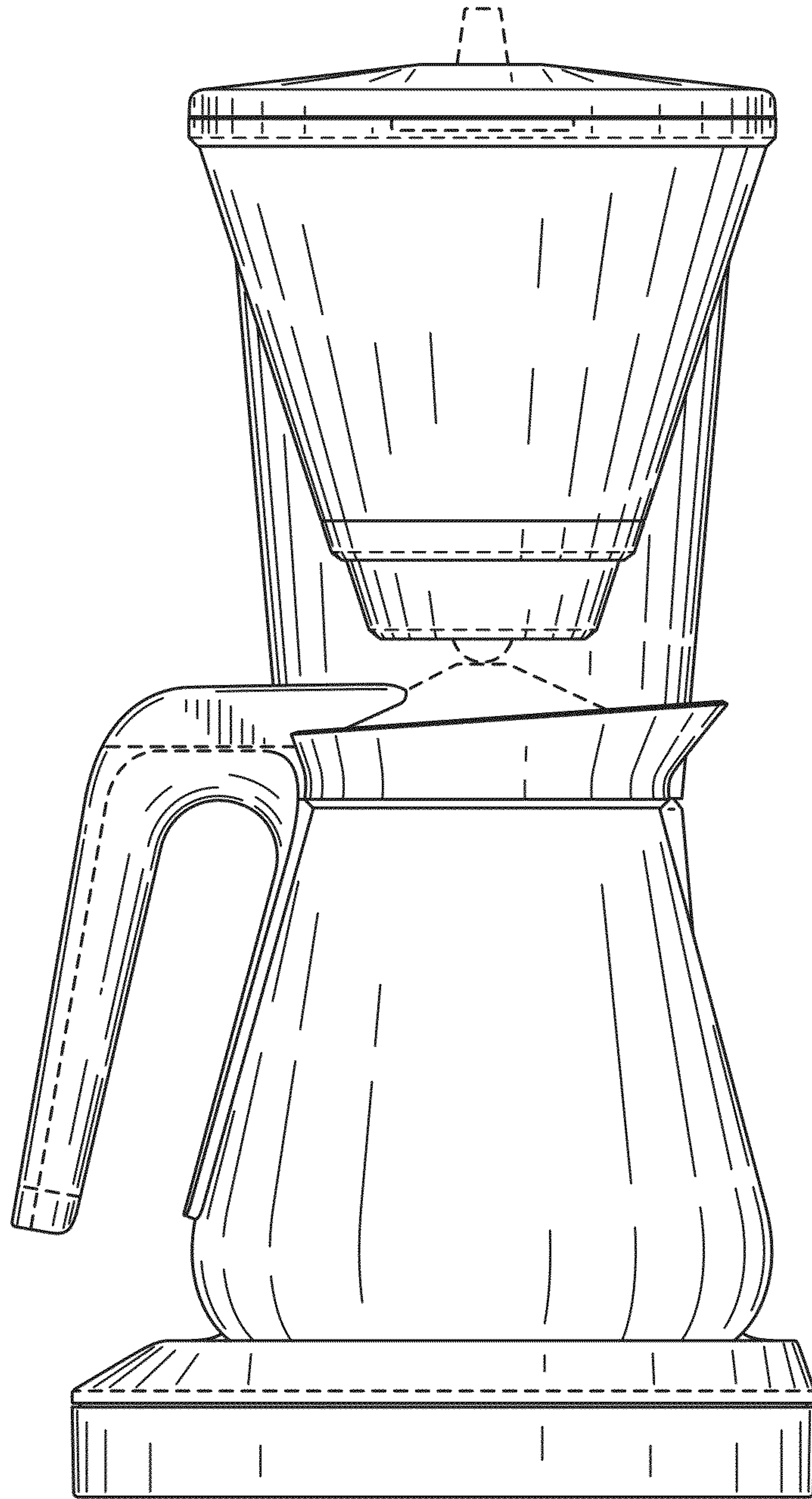


Fig. 4

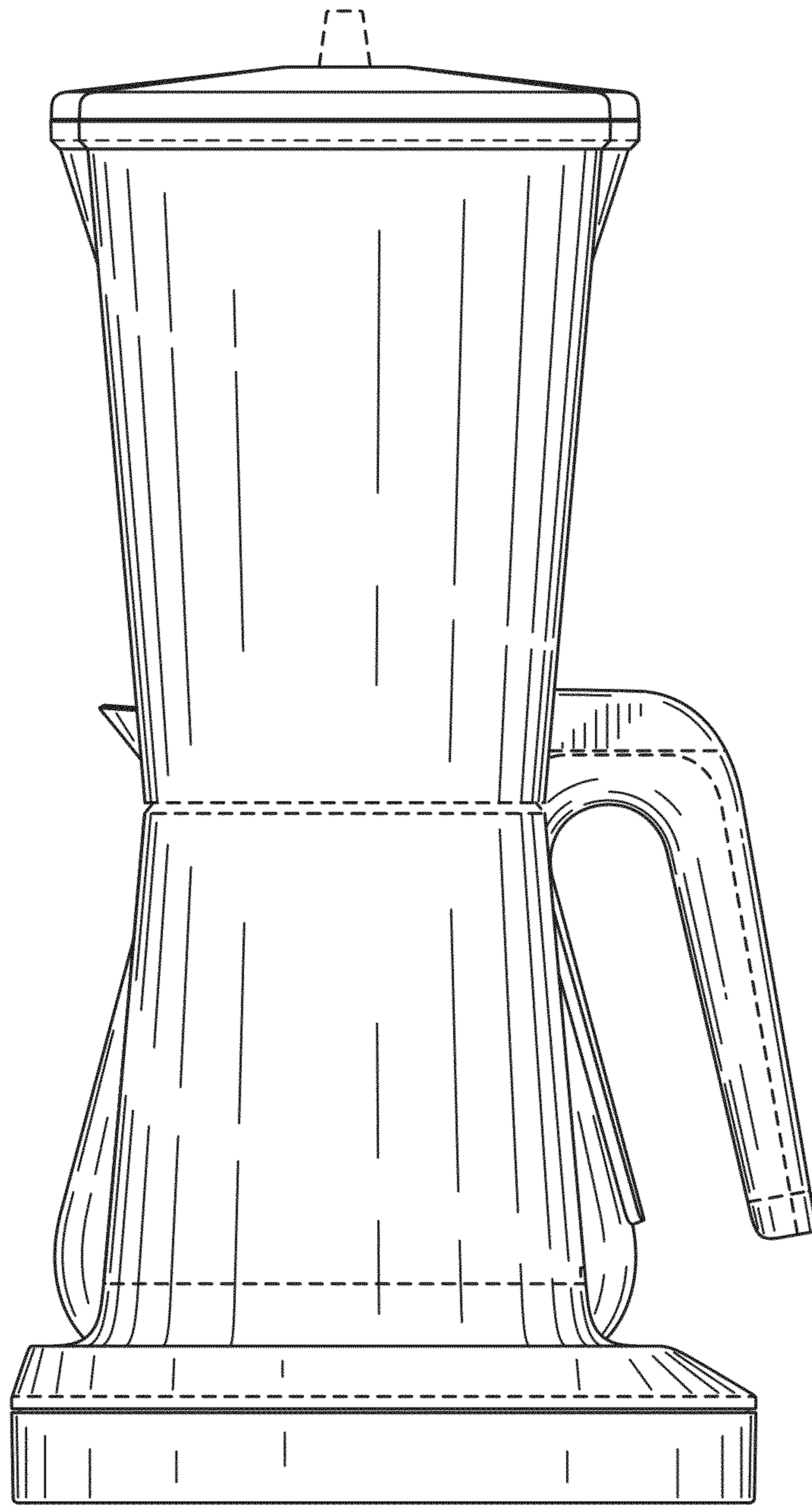


Fig. 5

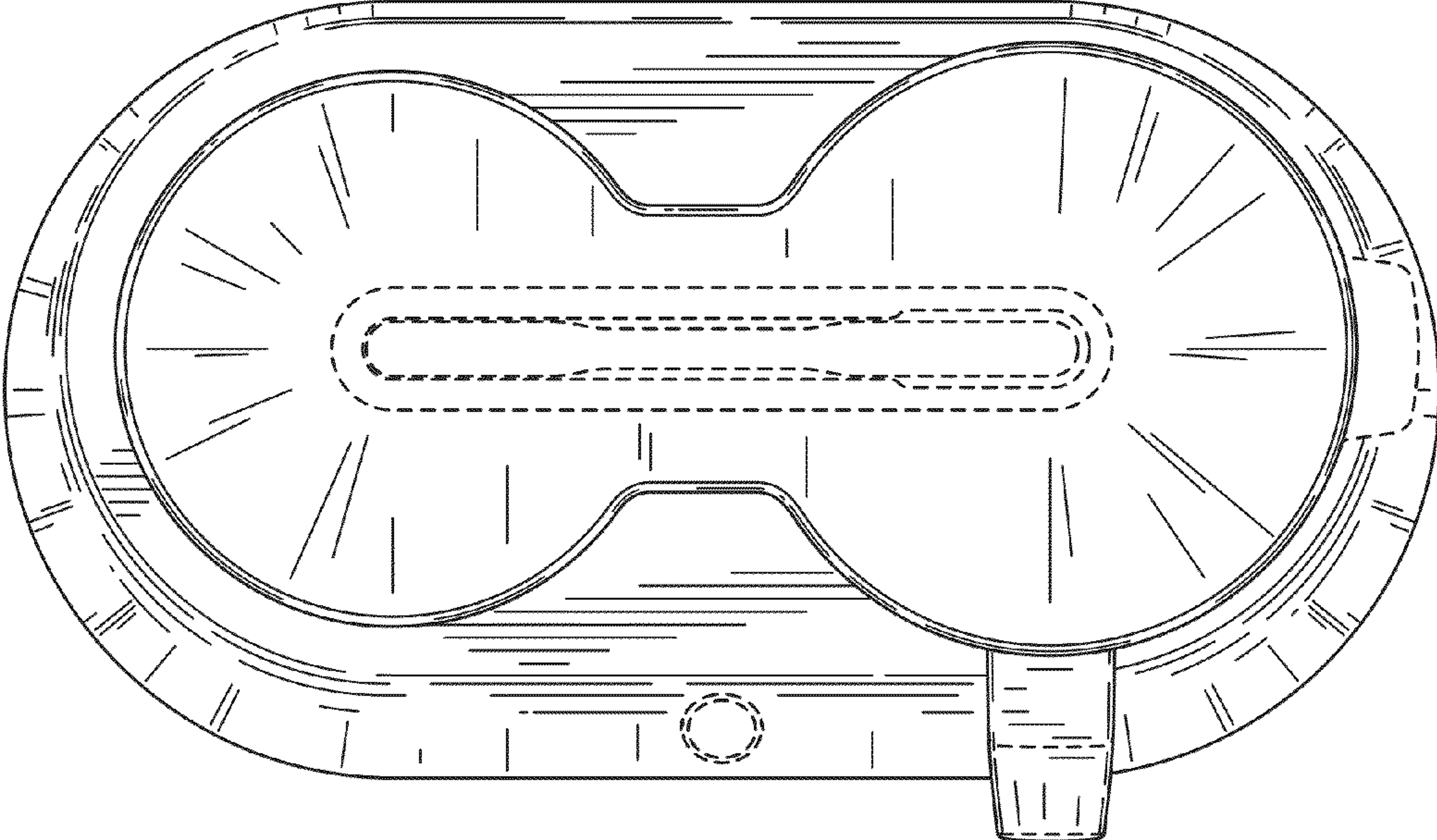


Fig. 6

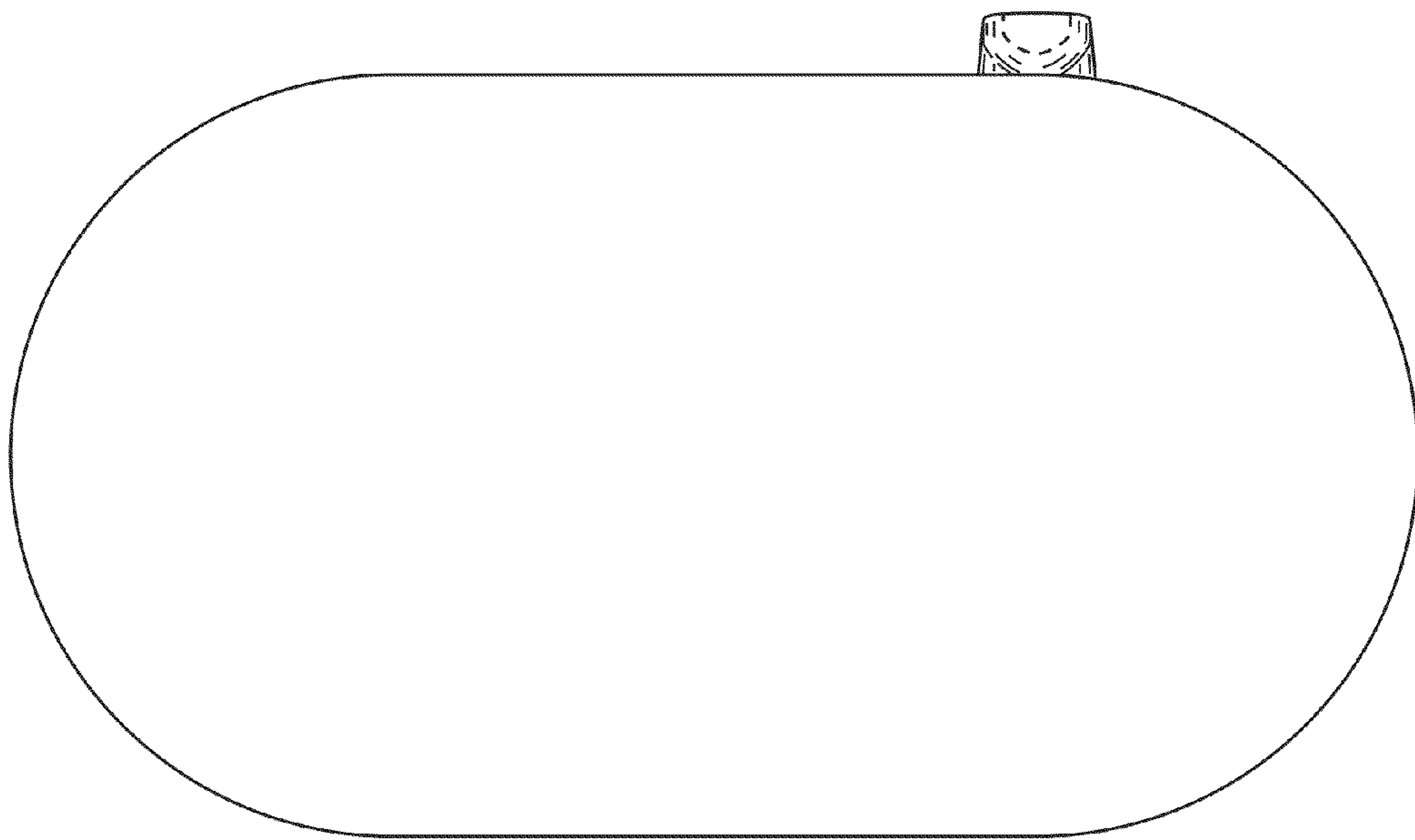


Fig. 7