



US00D712186S

(12) **United States Design Patent**
Tharp et al.

(10) **Patent No.:** **US D712,186 S**

(45) **Date of Patent:** **** Sep. 2, 2014**

(54) **BENCH**

(71) Applicants: **Bruce Mitchell Tharp**, Chicago, IL
(US); **Stephanie Munson Tharp**,
Chicago, IL (US)

(72) Inventors: **Bruce Mitchell Tharp**, Chicago, IL
(US); **Stephanie Munson Tharp**,
Chicago, IL (US)

(**) Term: **14 Years**

(21) Appl. No.: **29/455,192**

(22) Filed: **May 17, 2013**

(51) **LOC (10) Cl.** **06-01**

(52) **U.S. Cl.**
USPC **D6/716.1; D6/349**

(58) **Field of Classification Search**
CPC A47C 1/14; A47C 3/16-3/20; A47C 4/00;
A47C 4/28; A47C 5/02; A47C 7/02; A47C
9/00; A47C 9/02; A47C 9/002; A47C 9/007;
A47C 9/025; A47C 11/00; A47C 12/00;
A47C 13/00; A47C 16/02
USPC D6/335, 340, 344, 347, 349-355, 358,
D6/360, 363-373, 381, 685, 687, 688, 690,
D6/691-691.6, 692, 692.4, 694, 703.15,
D6/708.21, 708.22, 709.22, 716-716.7,
D6/717

See application file for complete search history.

(56) **References Cited**

U.S. PATENT DOCUMENTS

D272,300	S	*	1/1984	Dziurman, Jr.	D3/274
D285,752	S	*	9/1986	Sadow	D6/349
5,824,013	A	*	10/1998	Allen	606/240
D428,269	S	*	7/2000	Peterson	D6/349
D433,587	S	*	11/2000	Barile	D6/500
6,449,788	B1	*	9/2002	Nichols	5/636

6,990,699	B2	*	1/2006	Hedges	5/652
D584,911	S	*	1/2009	Hisey et al.	D6/601
D690,546	S	*	10/2013	Tharp et al.	D6/716.1

* cited by examiner

Primary Examiner — Susan Bennett Hattan

Assistant Examiner — Vy Koenig

(57) **CLAIM**

The ornamental design for a bench, as shown and described.

DESCRIPTION

FIG. 1 is a right perspective view of my new design for a bench;

FIG. 2 is a right perspective view thereof, showing possible context of use;

FIG. 3 is a front elevation view thereof; the back elevation view being a mirror image;

FIG. 4 is a top plan view thereof;

FIG. 5 is a bottom plan view thereof;

FIG. 6 is a right-side elevation view thereof; the left-side elevation view being a mirror image;

FIG. 7 is a right perspective view of a second embodiment of a bench;

FIG. 8 is a front elevation view thereof; the back elevation view being a mirror image;

FIG. 9 is a top plan view thereof;

FIG. 10 is a bottom plan view thereof;

FIG. 11 is a right-side elevation view thereof; the left-side elevation view being a mirror image;

FIG. 12 is a right perspective view of a third embodiment of a bench;

FIG. 13 is a front elevation view thereof; the back elevation view being a mirror image;

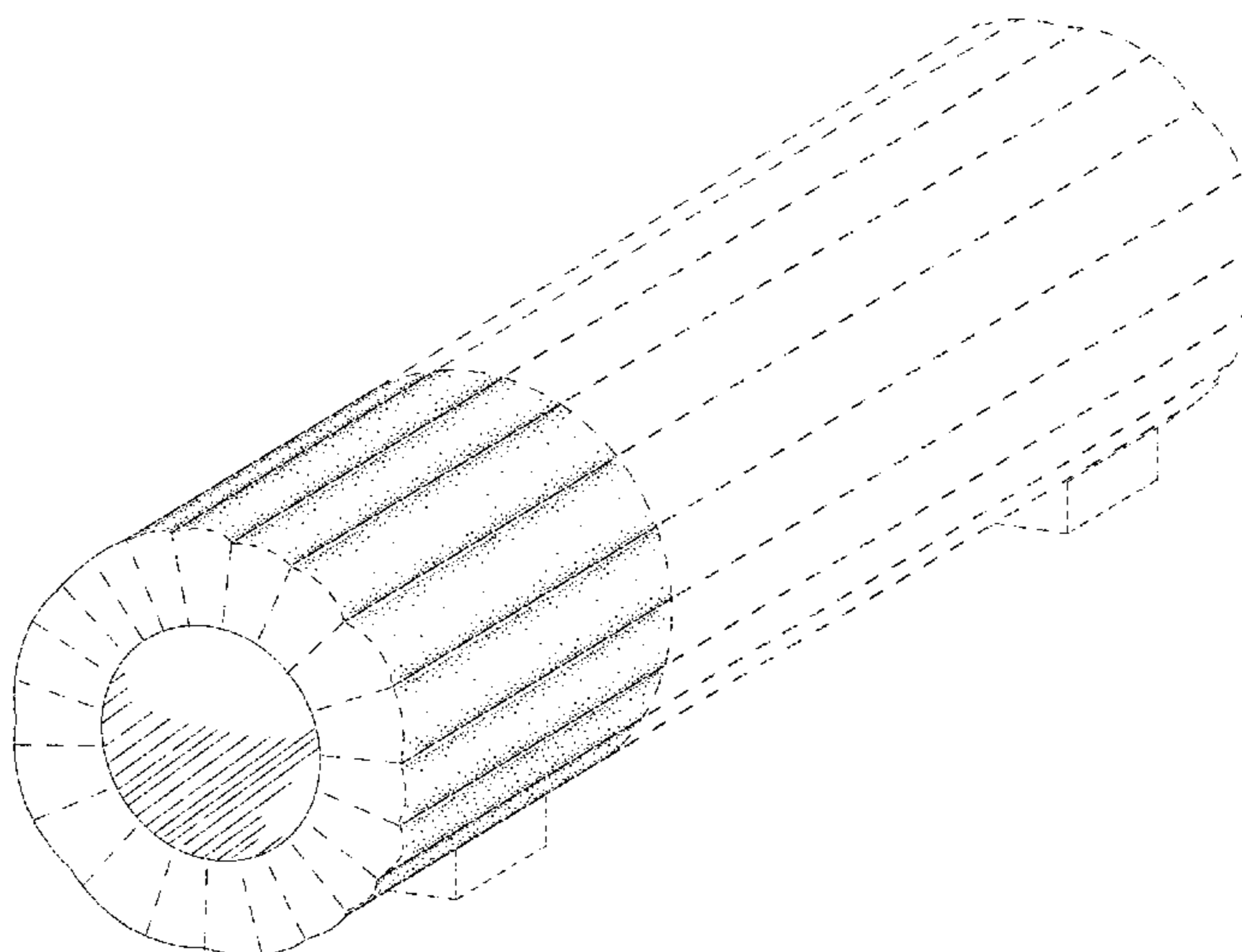
FIG. 14 is a top plan view thereof;

FIG. 15 is a bottom plan view thereof; and,

FIG. 16 is a right-side elevation view thereof; the left-side elevation view being a mirror image.

The broken lines in the drawings are included for the purpose of illustrating environmental subject matter and form no part of the claimed design.

1 Claim, 13 Drawing Sheets



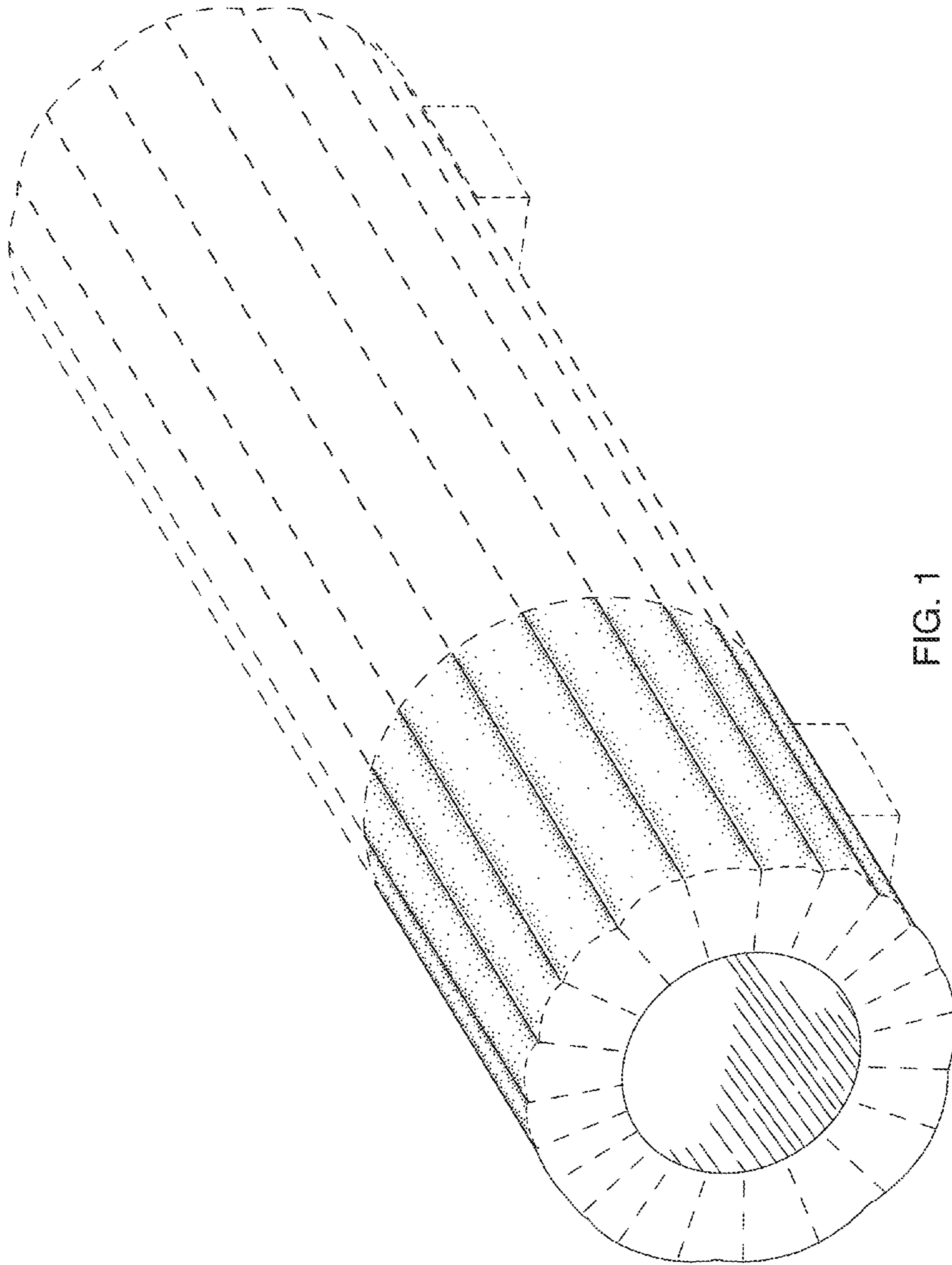


FIG. 1

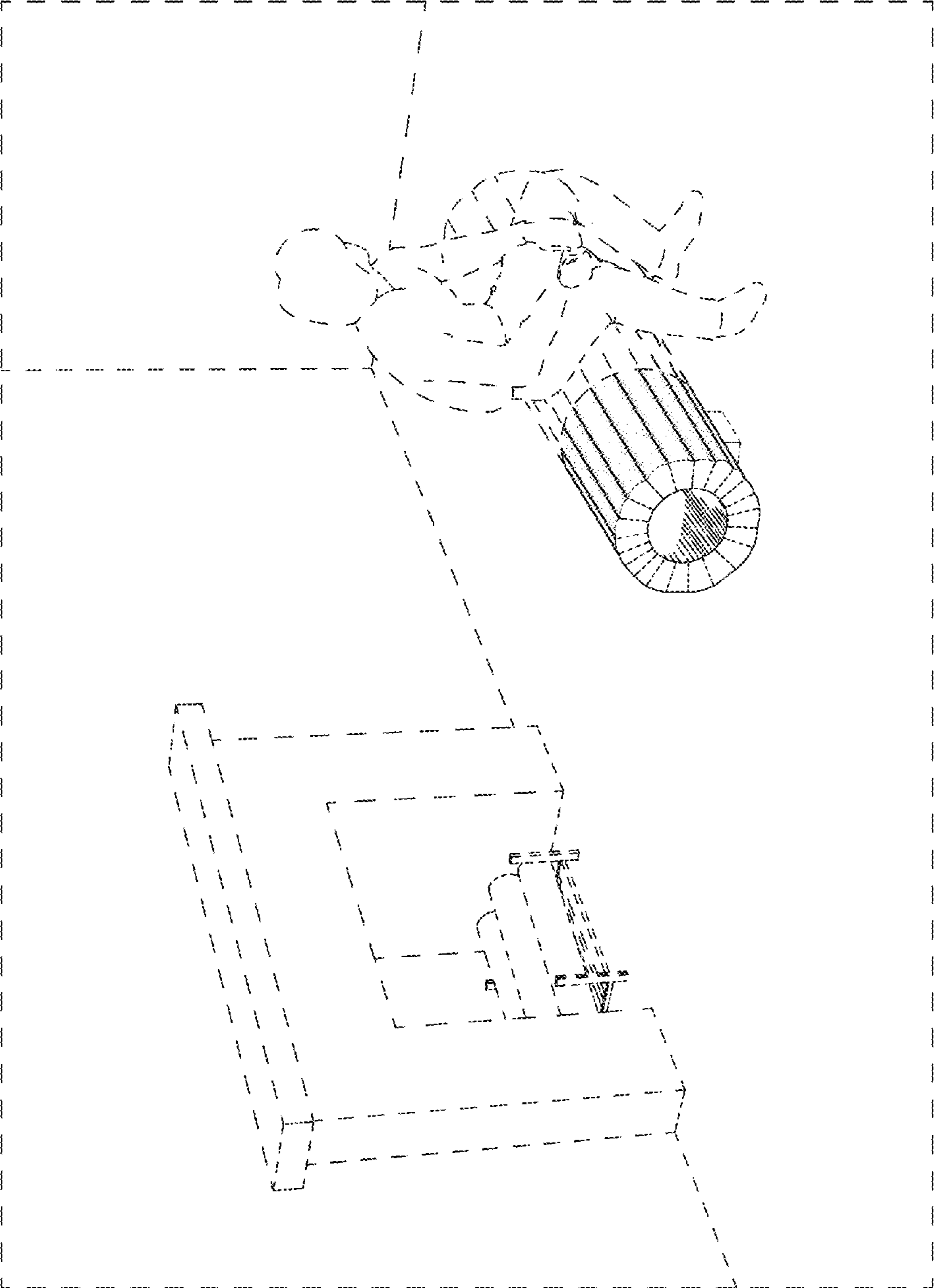


FIG. 2

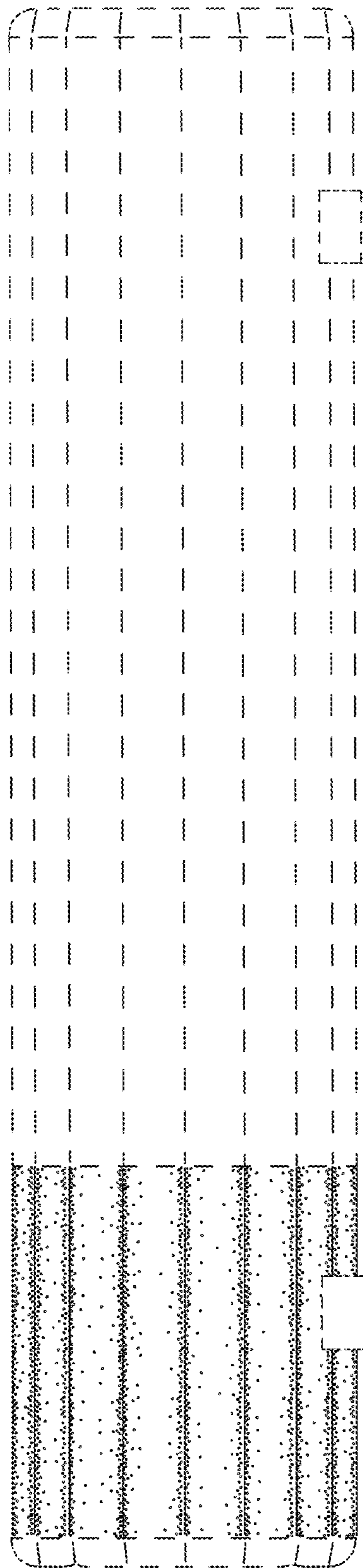


FIG. 3

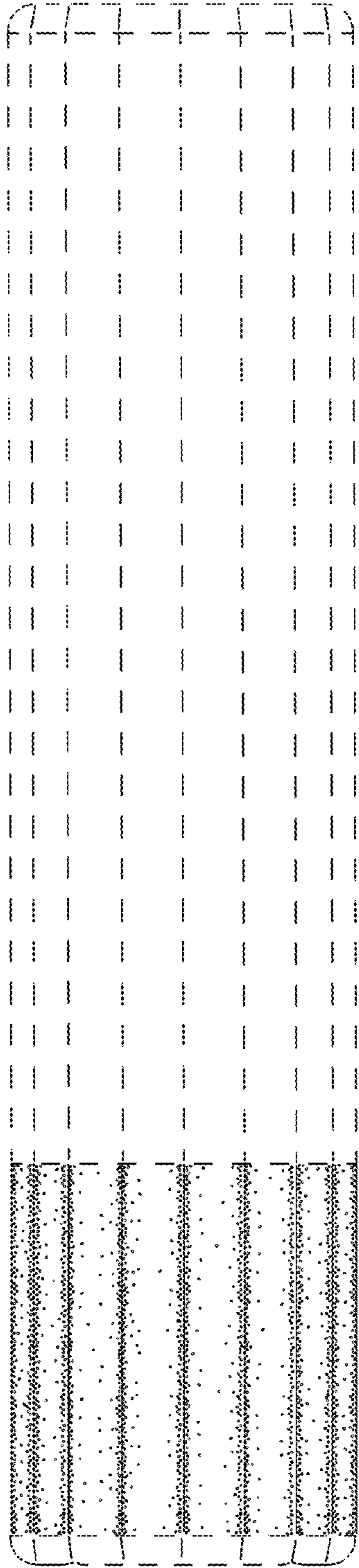


FIG. 4

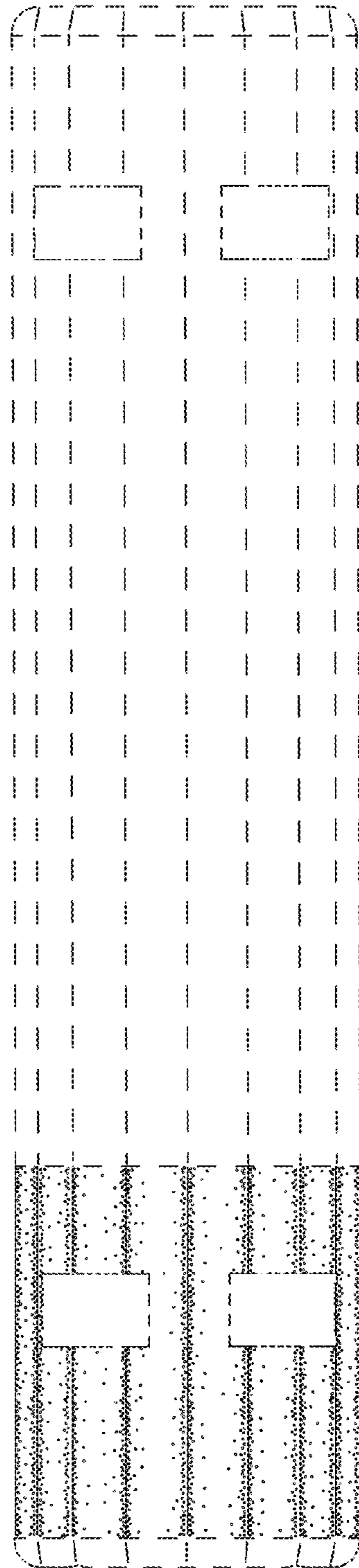


FIG. 5

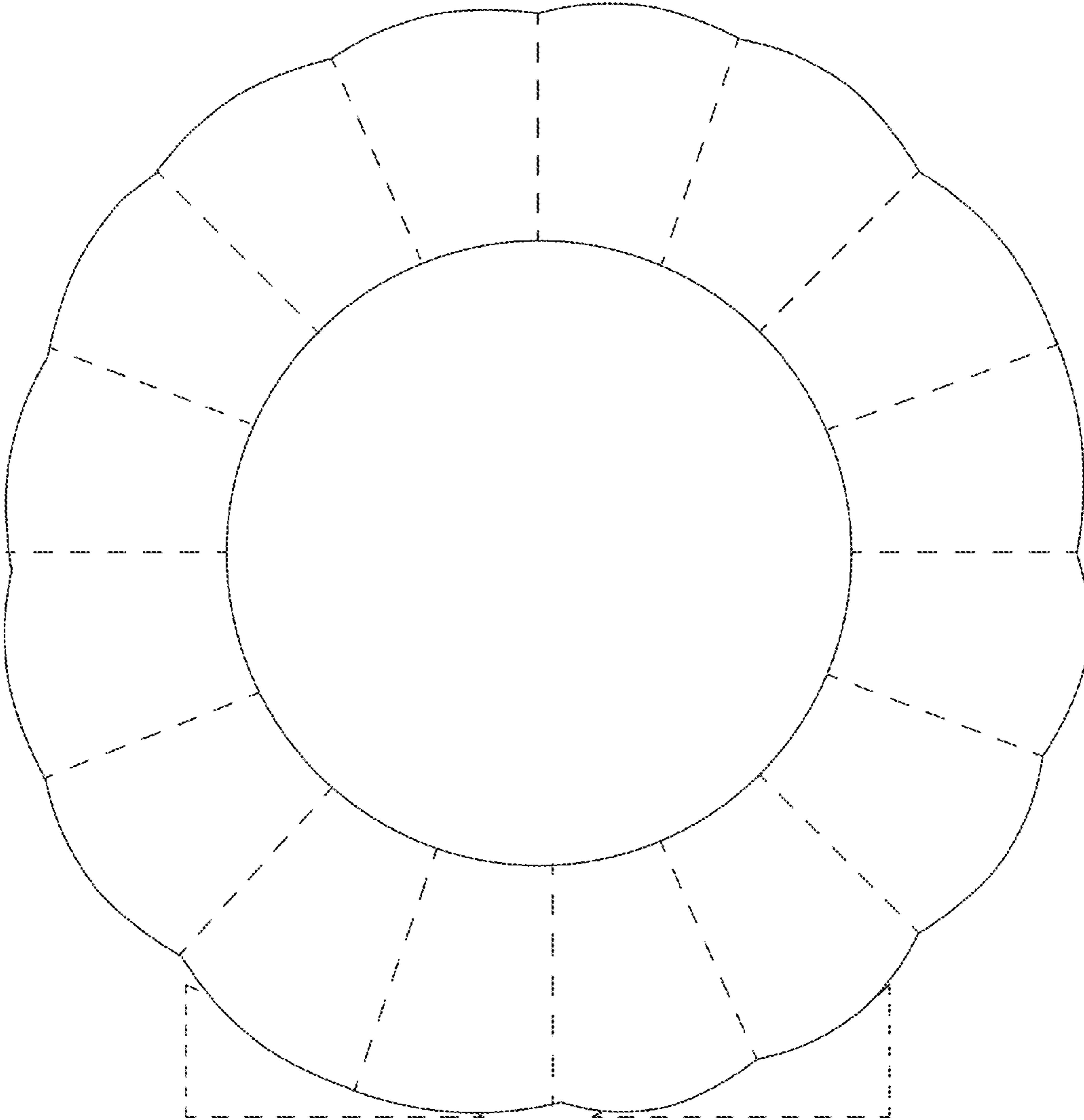


FIG. 6

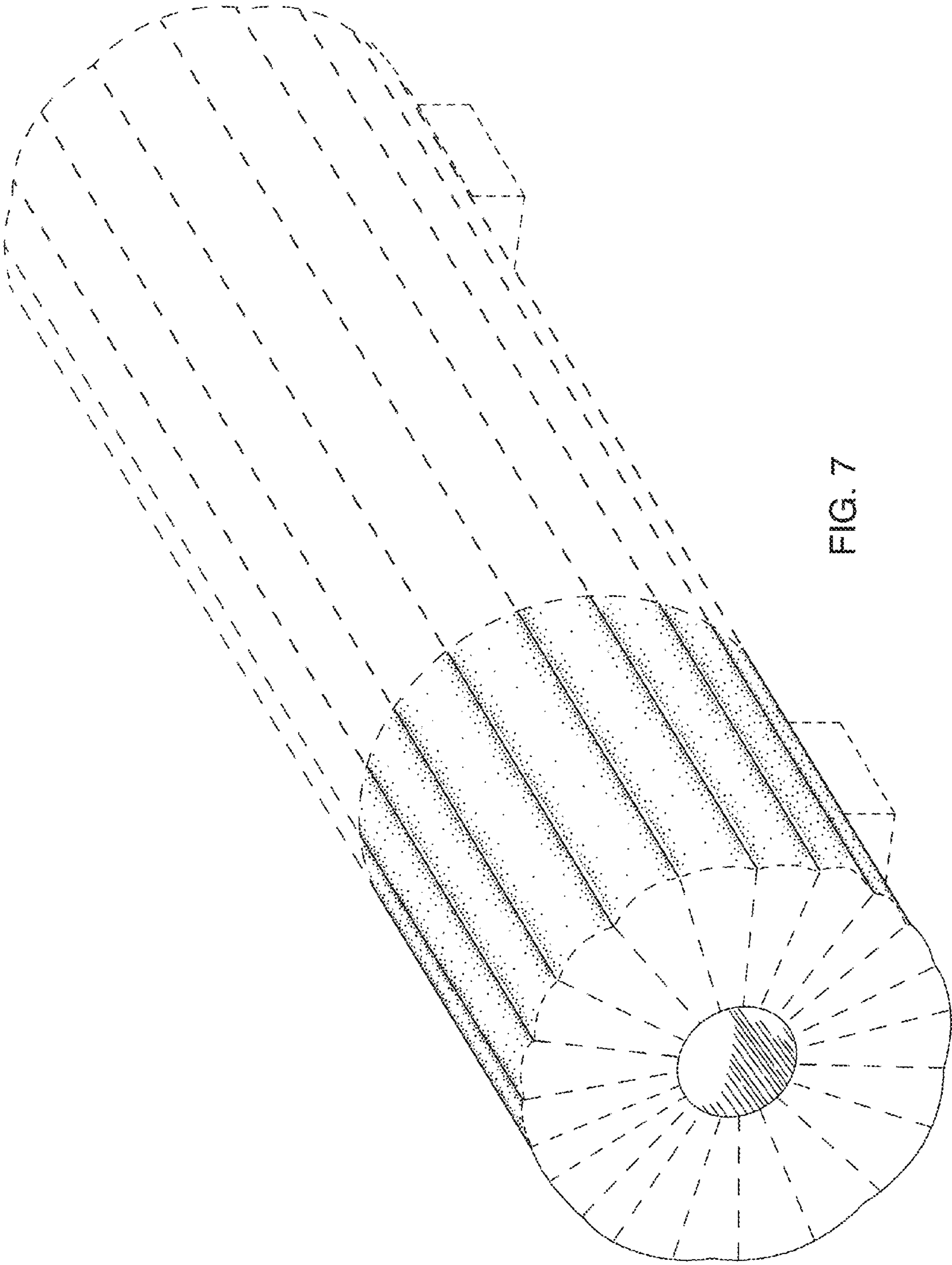


FIG. 7

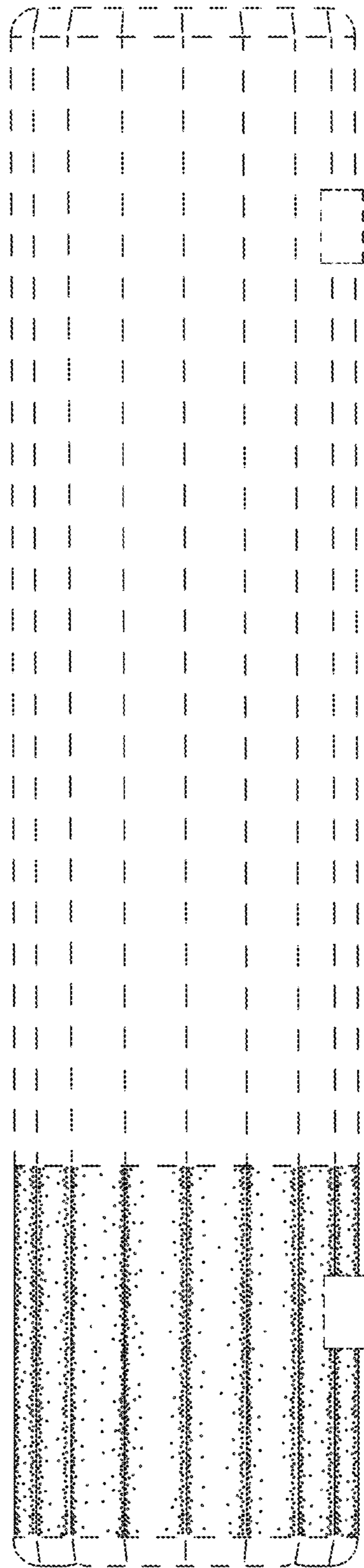


FIG.8

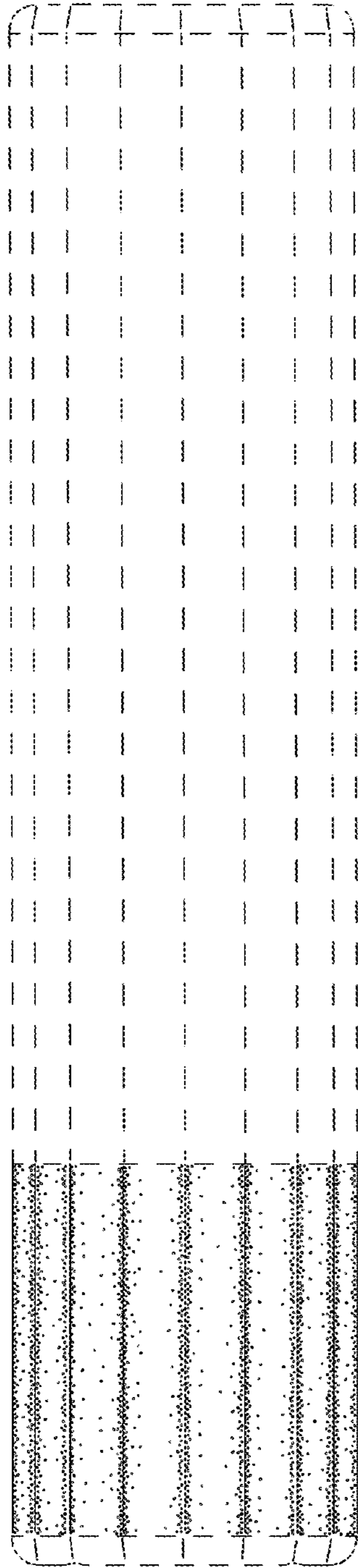


FIG. 9

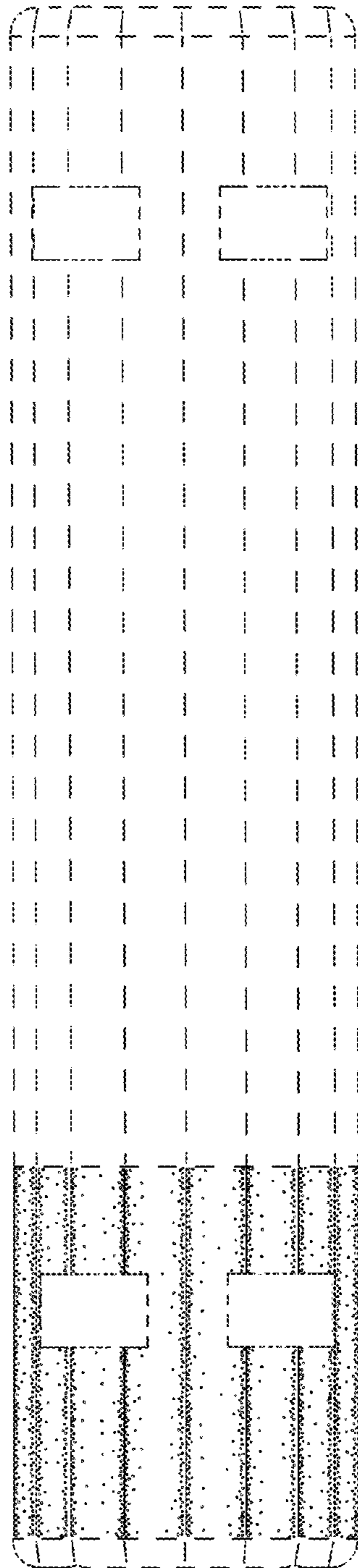


FIG. 10

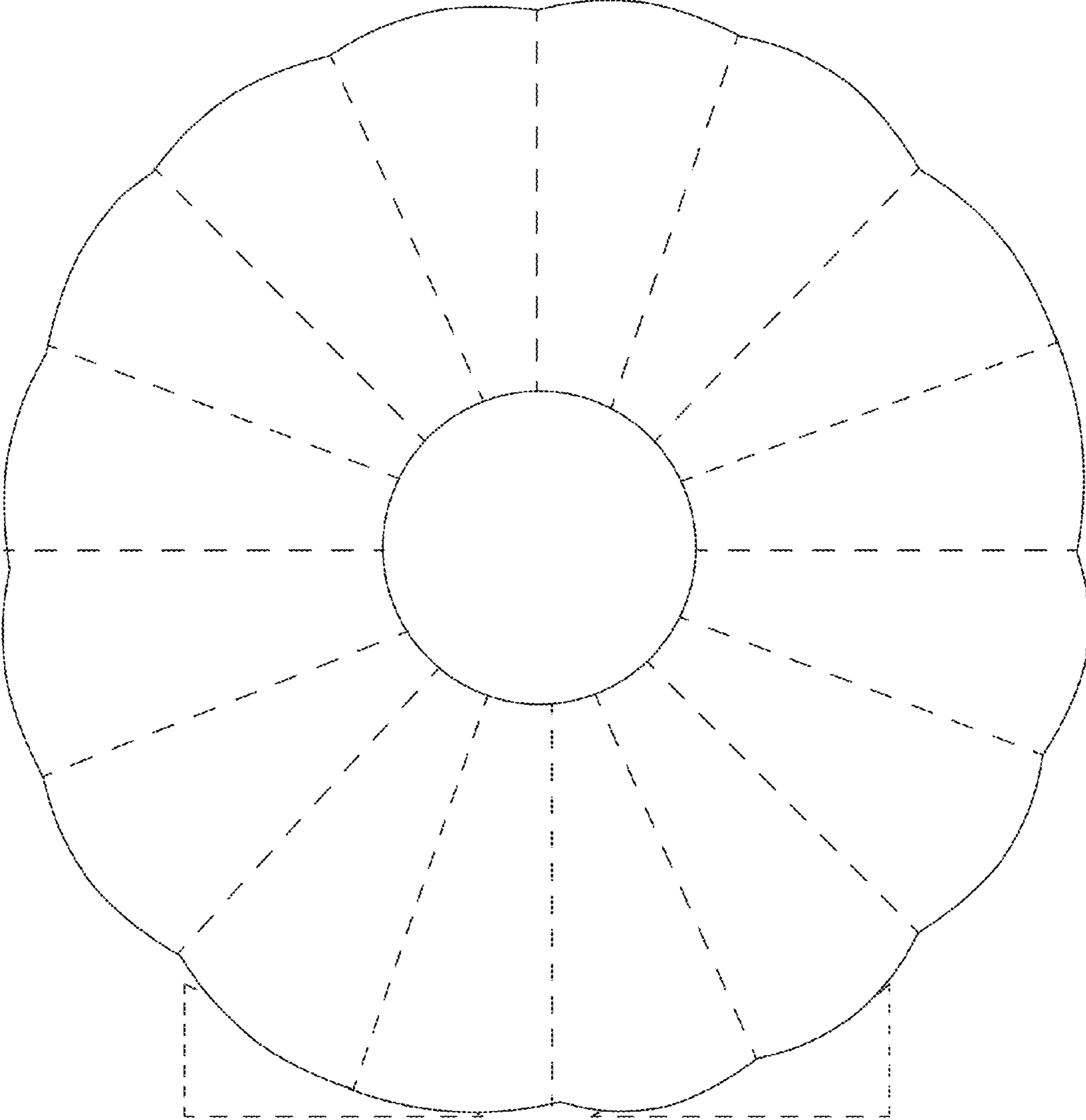


FIG. 11

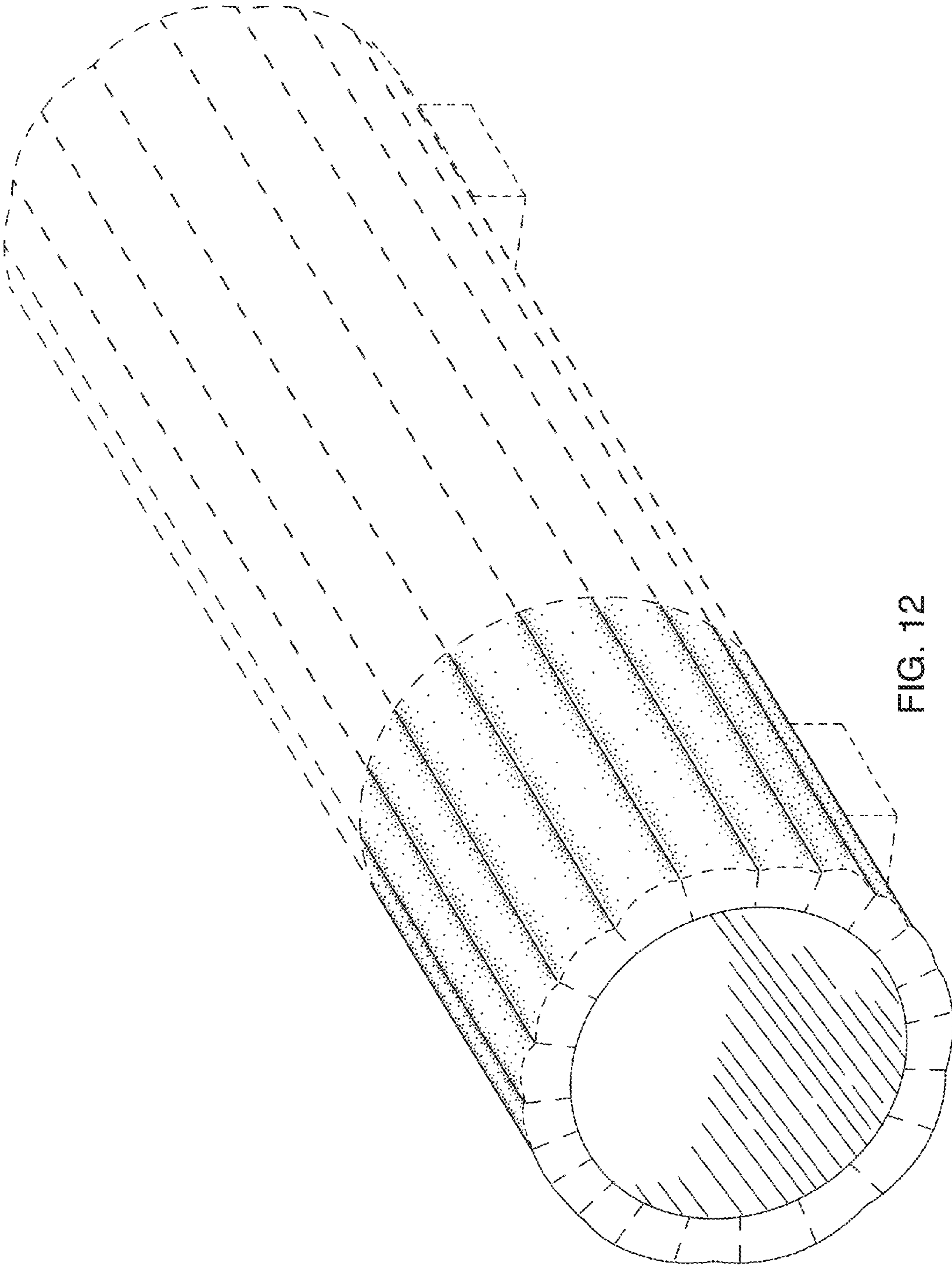


FIG. 12

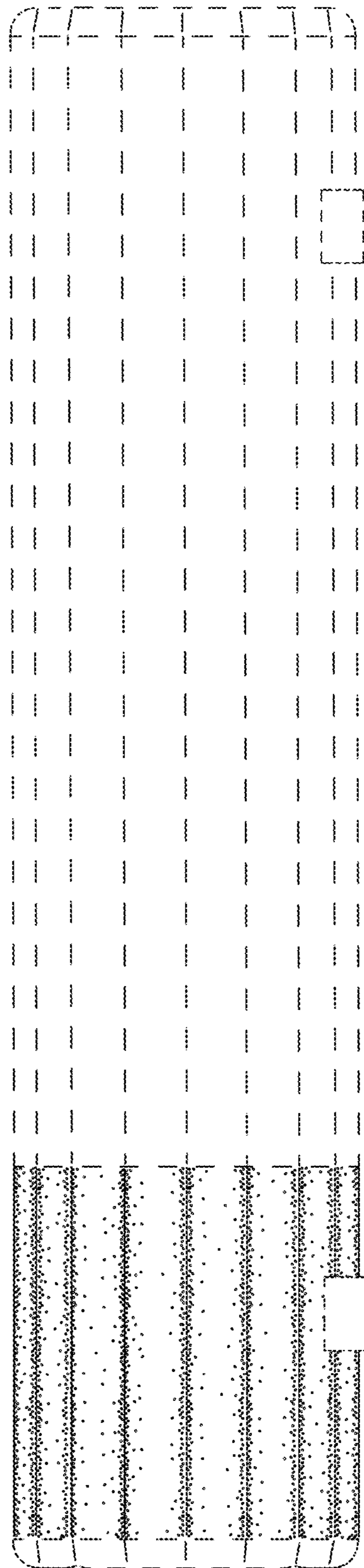


FIG. 13

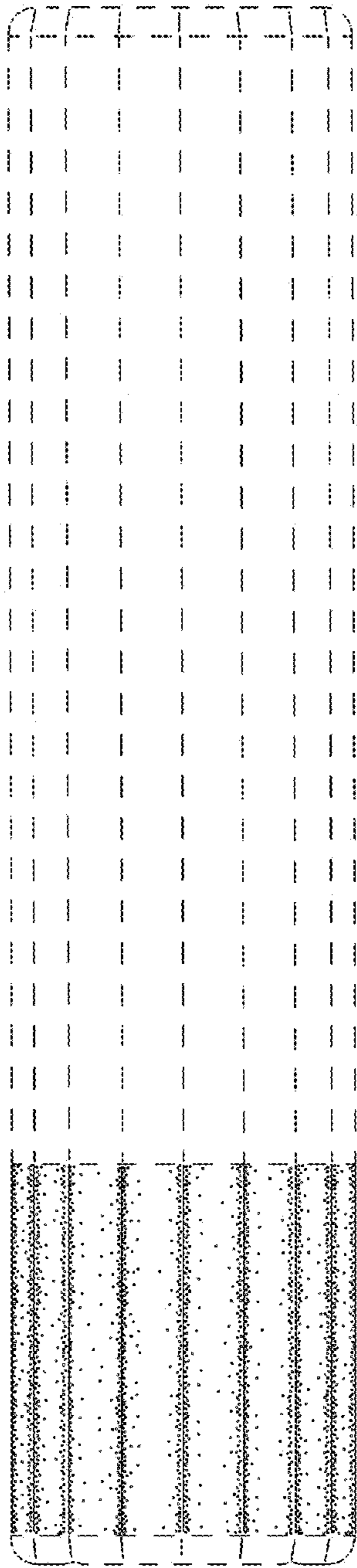


FIG. 14

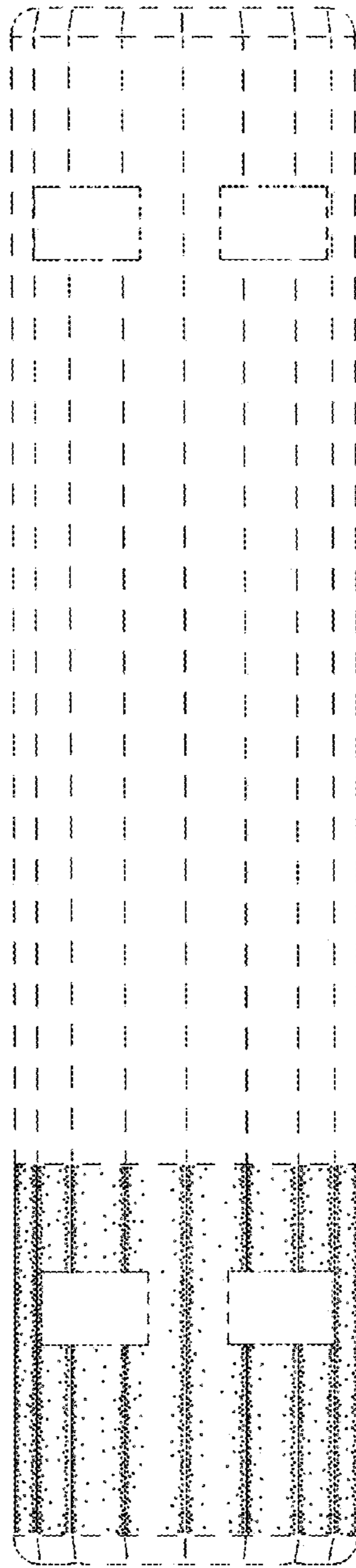


FIG. 15

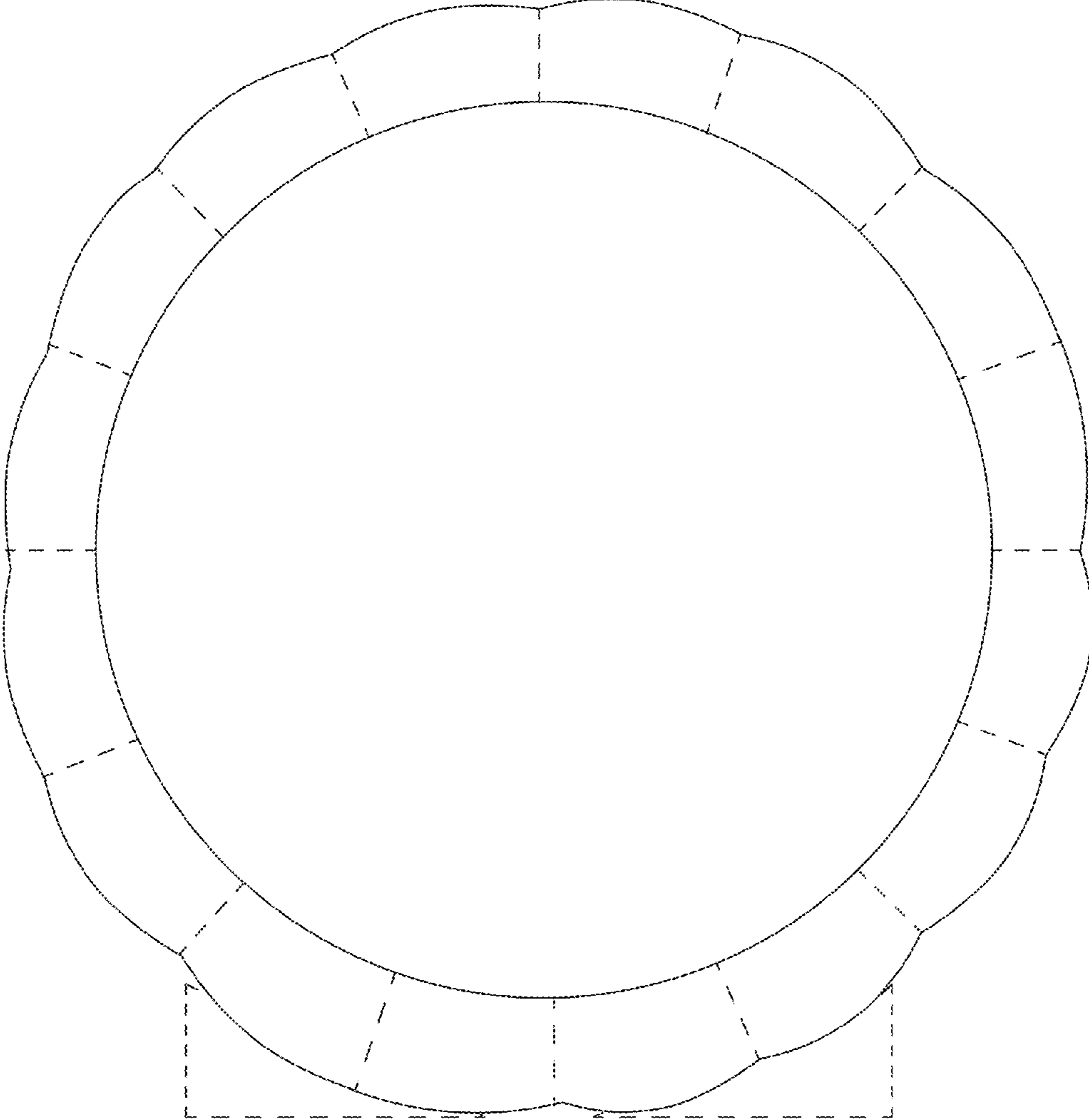


FIG. 16