



US00D712183S

(12) **United States Design Patent**
Barber

(10) **Patent No.:** **US D712,183 S**

(45) **Date of Patent:** **** Sep. 2, 2014**

(54) **THREE-DIMENSIONAL IMAGE
PROJECTION STAND**

D511,912 S * 11/2005 Blonder D6/486
D664,174 S * 7/2012 Tanaka D16/131
D687,183 S * 7/2013 Davis et al. D28/9

(71) Applicant: **Clearly Illusional, LLC**, Newhall, CA
(US)

* cited by examiner

(72) Inventor: **Alan Barber**, Newhall, CA (US)

Primary Examiner — Kelley Donnelly

(73) Assignee: **Clearly Illusional, LLC**, Newhall, CA
(US)

(74) *Attorney, Agent, or Firm* — Kelly & Kelley, LLP

(**) Term: **14 Years**

(57) **CLAIM**

The ornamental design for a three-dimensional image projection stand, as shown and described.

(21) Appl. No.: **29/489,740**

DESCRIPTION

(22) Filed: **May 2, 2014**

(51) **LOC (10) Cl.** **06-06**

(52) **U.S. Cl.**
USPC **D6/691.5**

(58) **Field of Classification Search**
USPC D6/449, 450, 400, 466–468, 475,
D6/491–492, 509, 672–673, 675–675.1,
D6/681–681.2, 682, 682.5, 691, 691.1,
D6/691.5; 211/71.01; 248/511, 518–519,
248/128, 146, 176.1, 177.1, 346.03;
206/741–742, 769, 771, 316.1

See application file for complete search history.

FIG. 1 is a side perspective view of the three-dimensional image projection stand of the present invention;
FIG. 2 is a bottom perspective view of the three-dimensional image projection stand of the present invention;
FIG. 3 is a side elevational view of the three-dimensional image projection stand of the present invention;
FIG. 4 is a side elevational view which is taken from the opposite side as FIG. 3 of the three-dimensional image projection stand of the present invention;
FIG. 5 is a front view of the three-dimensional image projection stand of the present invention;
FIG. 6 is a rear view of the three-dimensional image projection stand of the present invention;
FIG. 7 is a top view of the three-dimensional image projection stand of the present invention; and,
FIG. 8 is a bottom view of the three-dimensional image projection stand of the present invention.

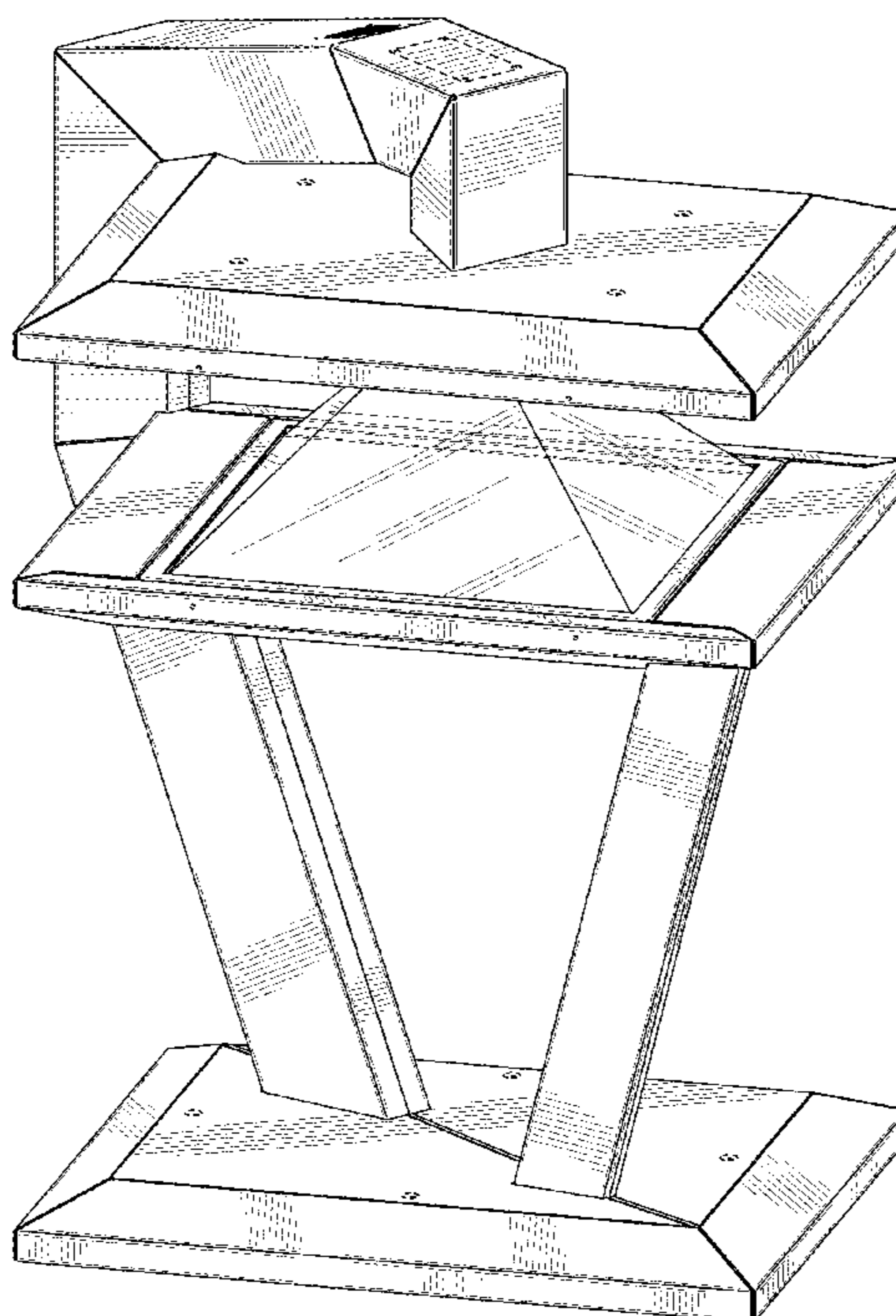
The broken lines are for the purpose of illustrating the environment of the design only and form no part of the claimed design.

(56) **References Cited**

U.S. PATENT DOCUMENTS

2,197,806 A * 4/1940 MacDonald 211/72
2,291,265 A * 7/1942 Viglietta 108/60
D266,464 S * 10/1982 Edwards D6/459
D395,182 S * 6/1998 Singleton D6/469
D477,155 S * 7/2003 Kuehner D6/449

1 Claim, 8 Drawing Sheets



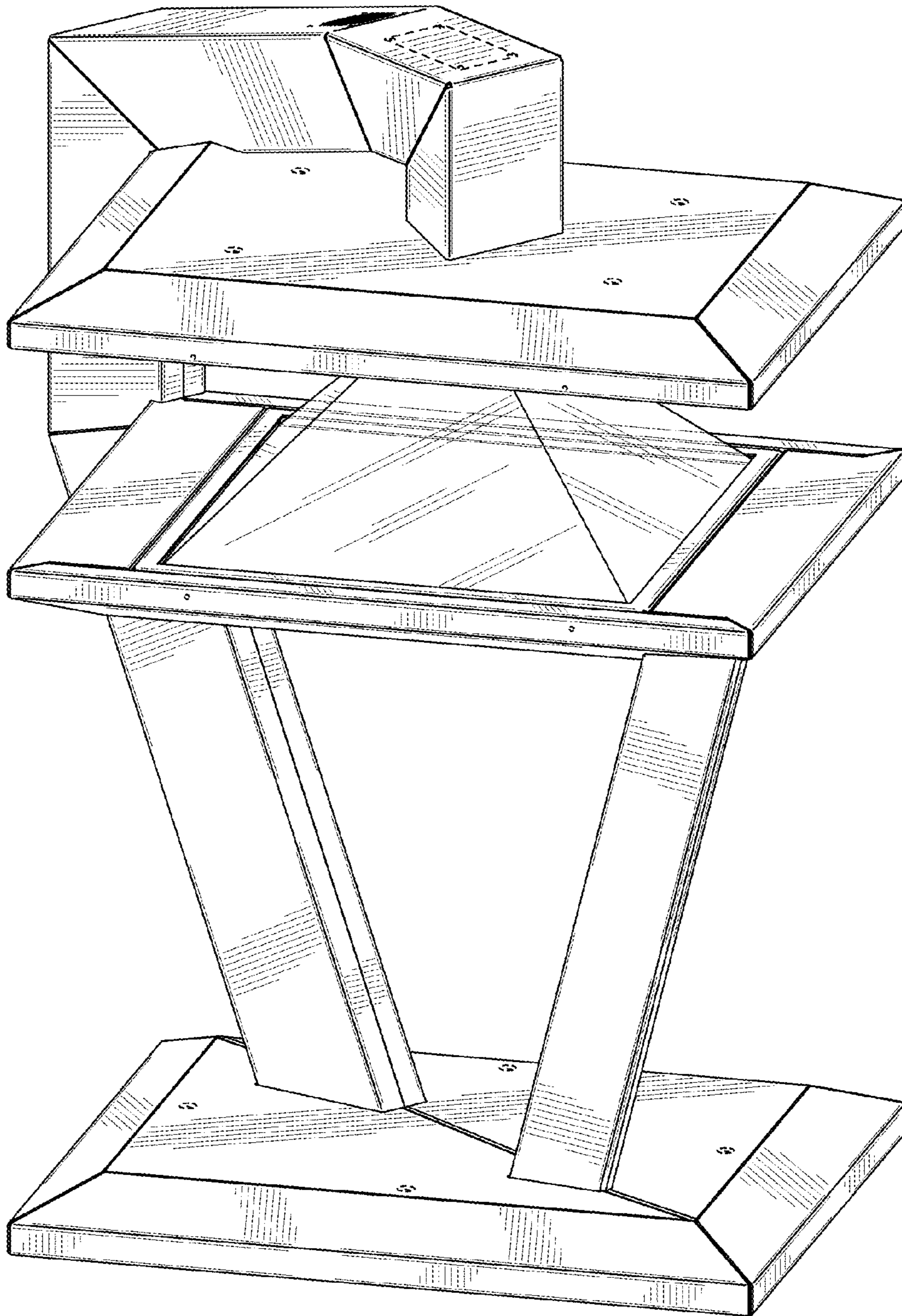


FIG. 1

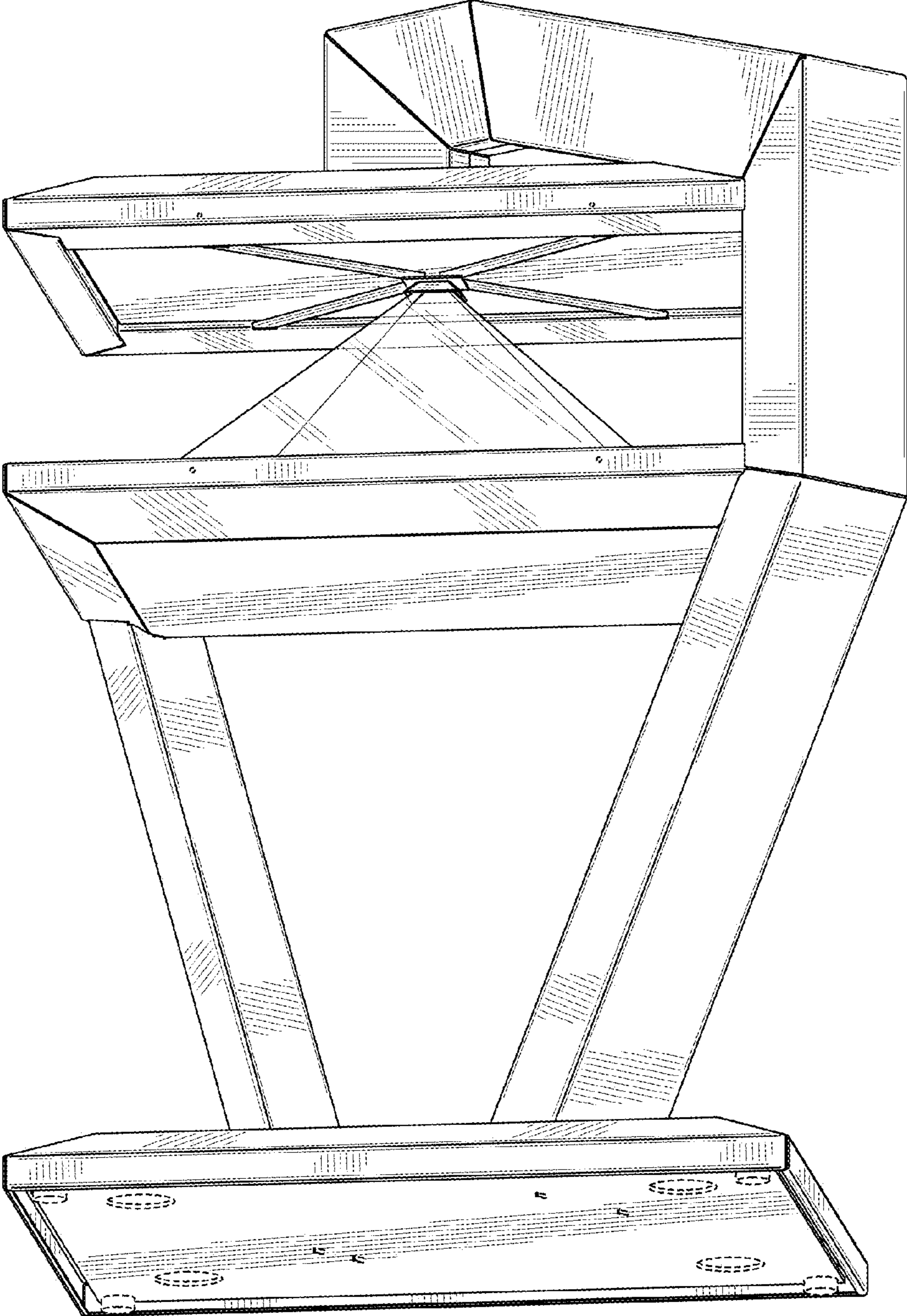


FIG. 2

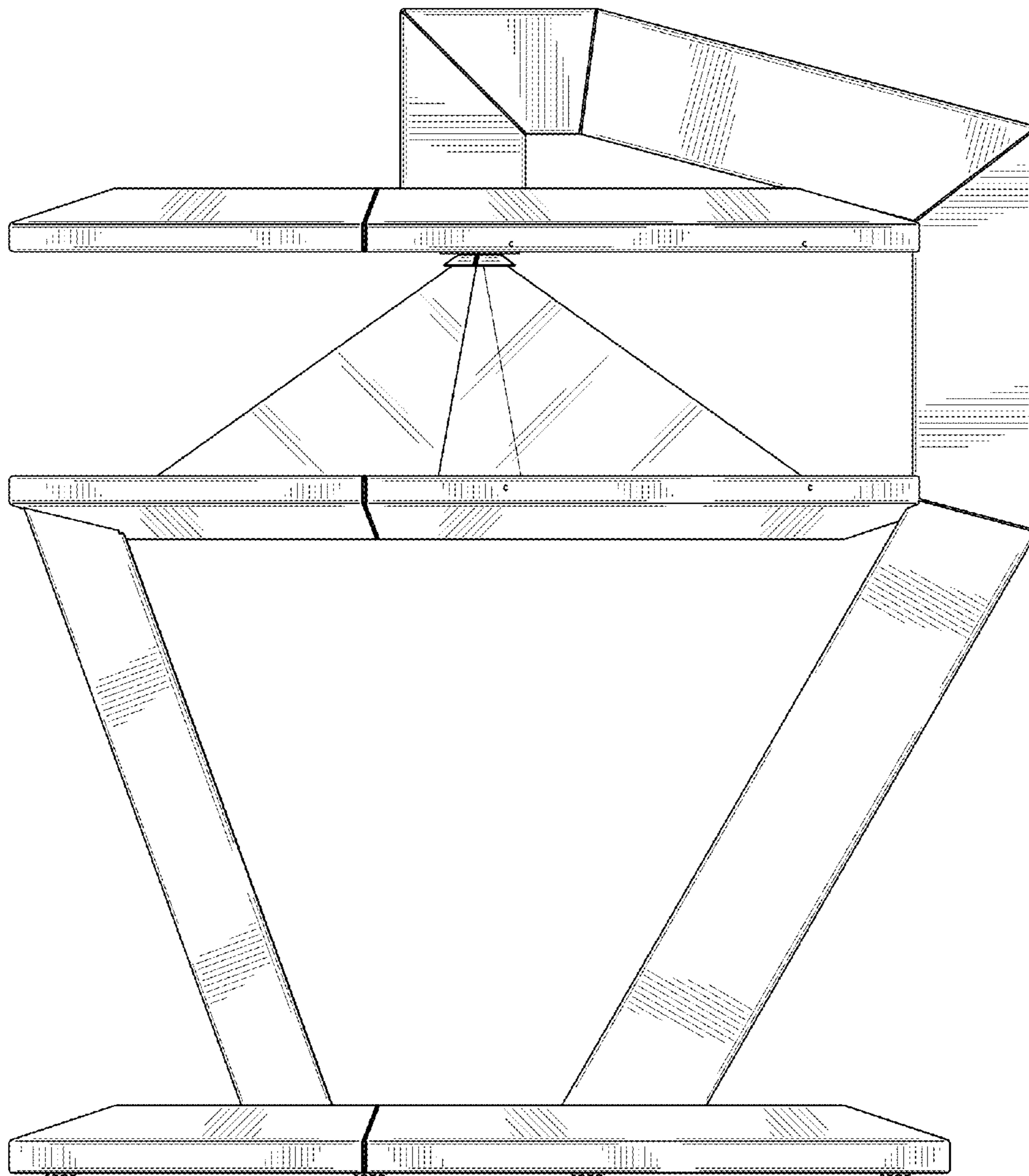


FIG. 3

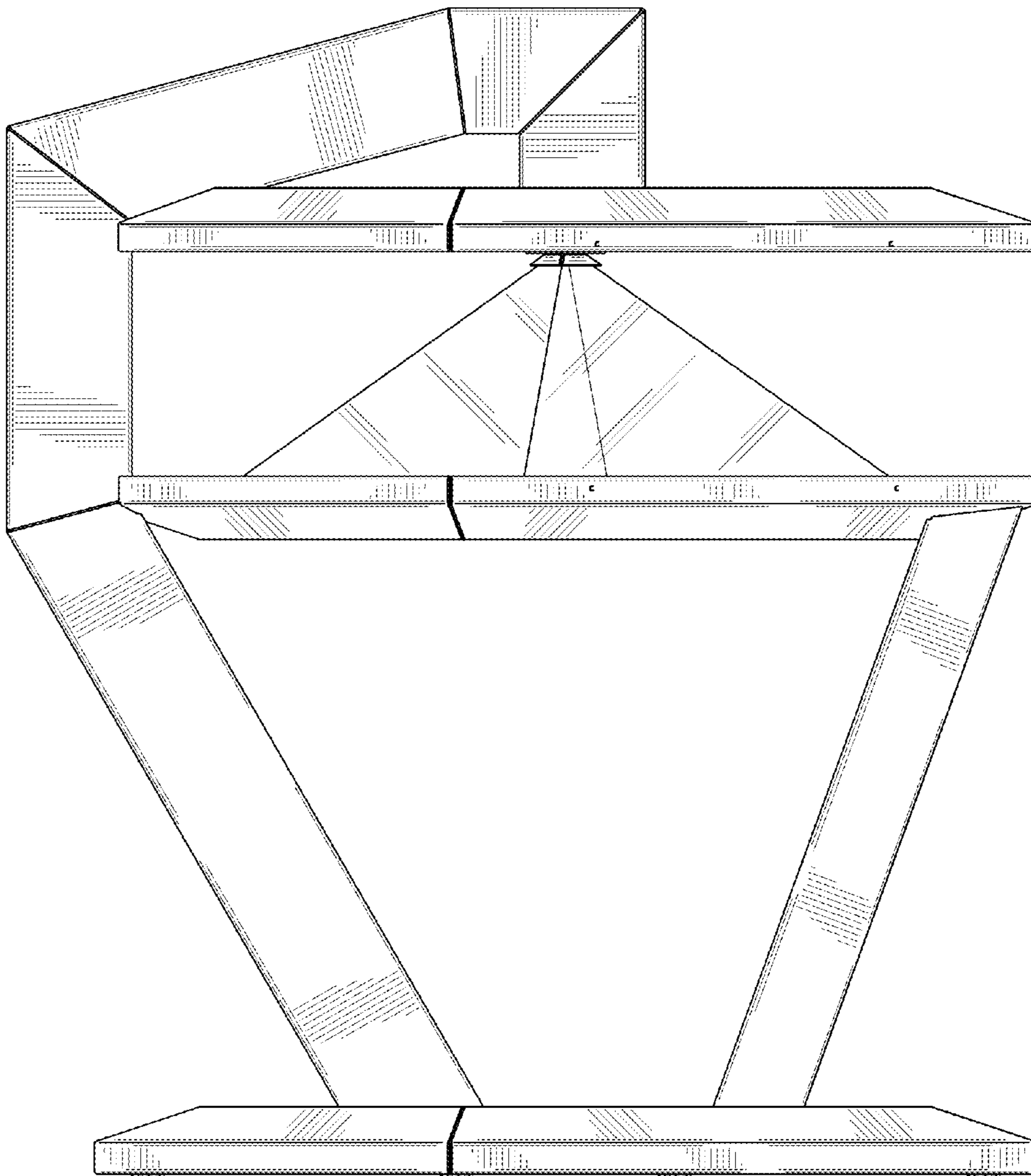


FIG. 4

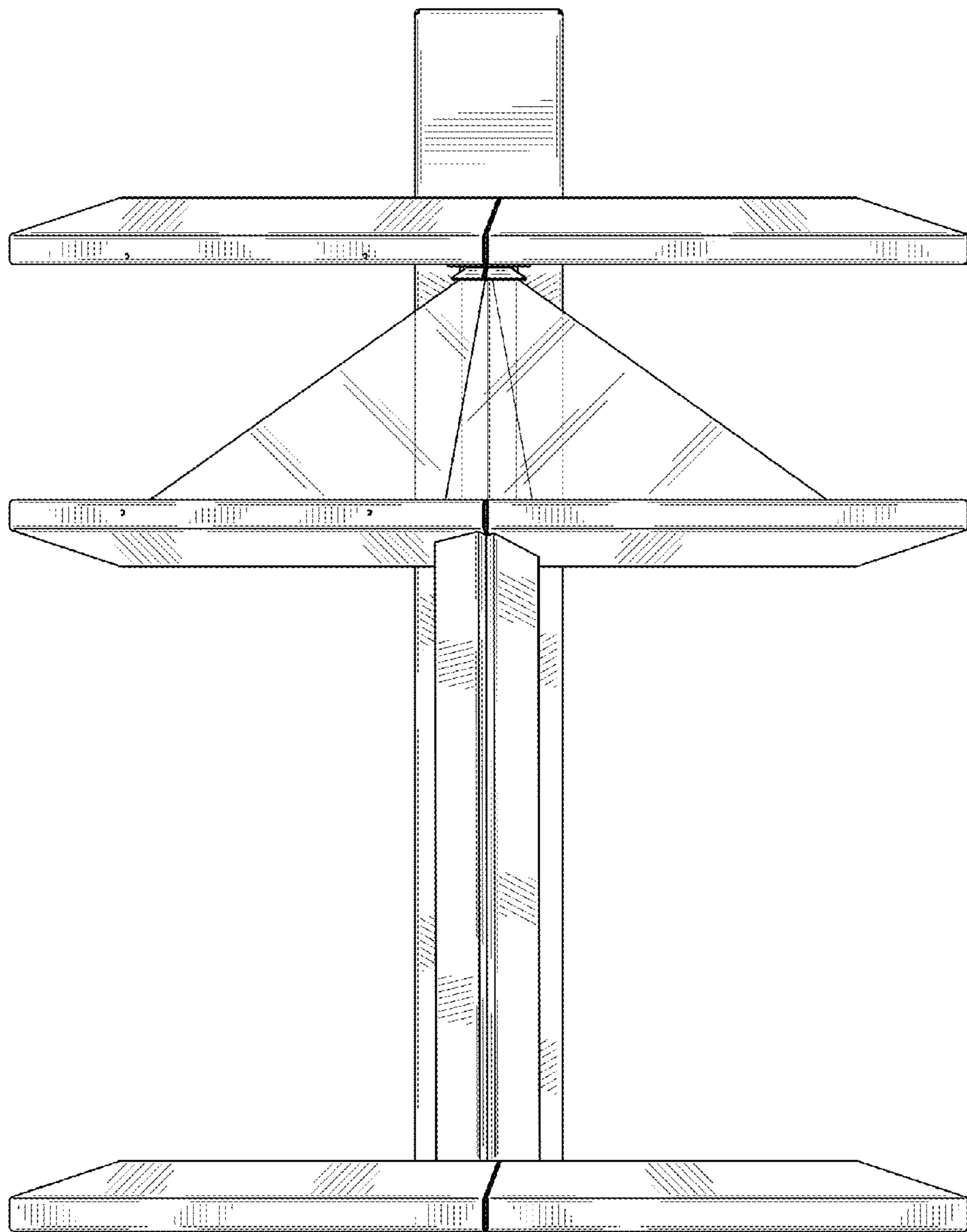


FIG. 5

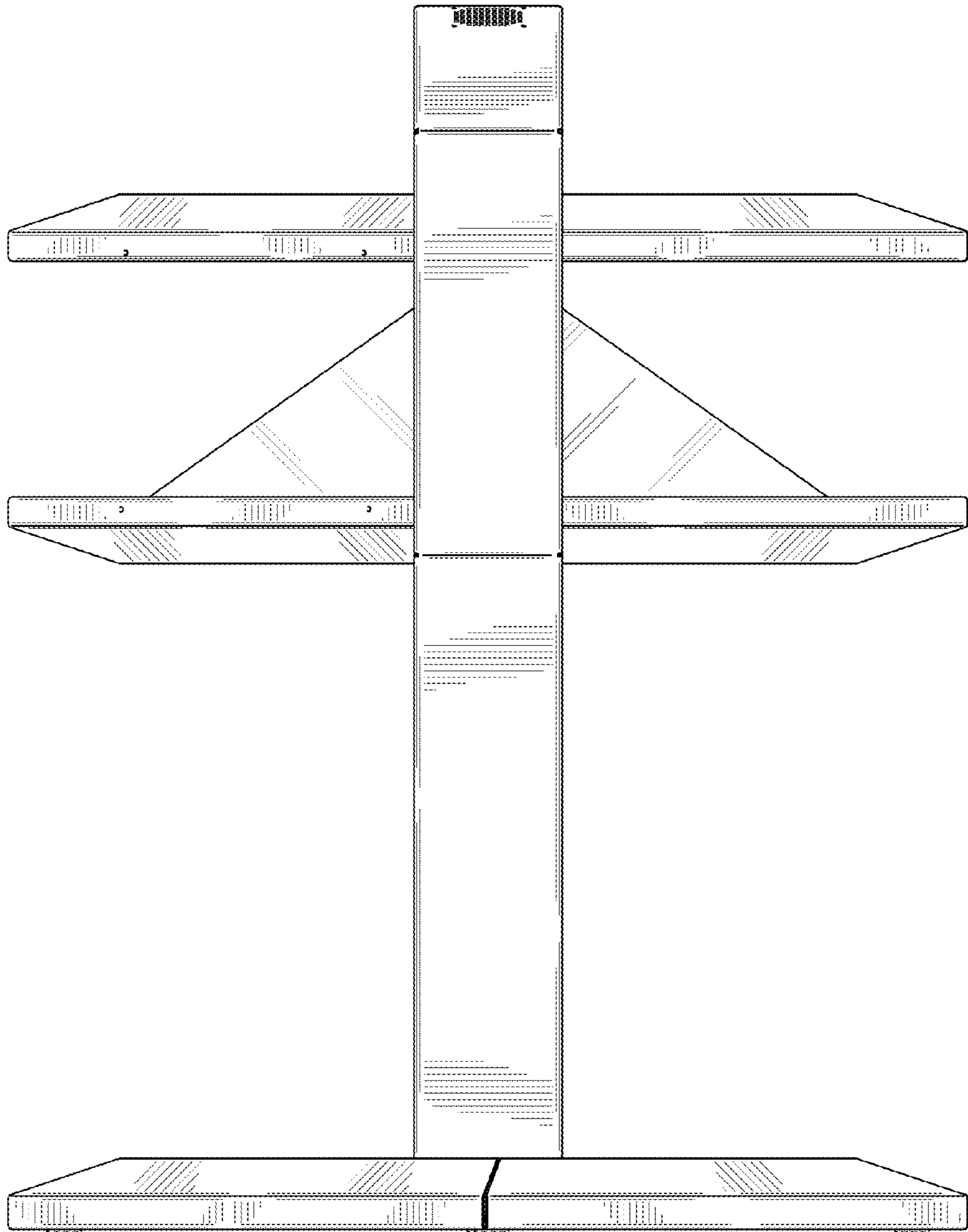


FIG. 6

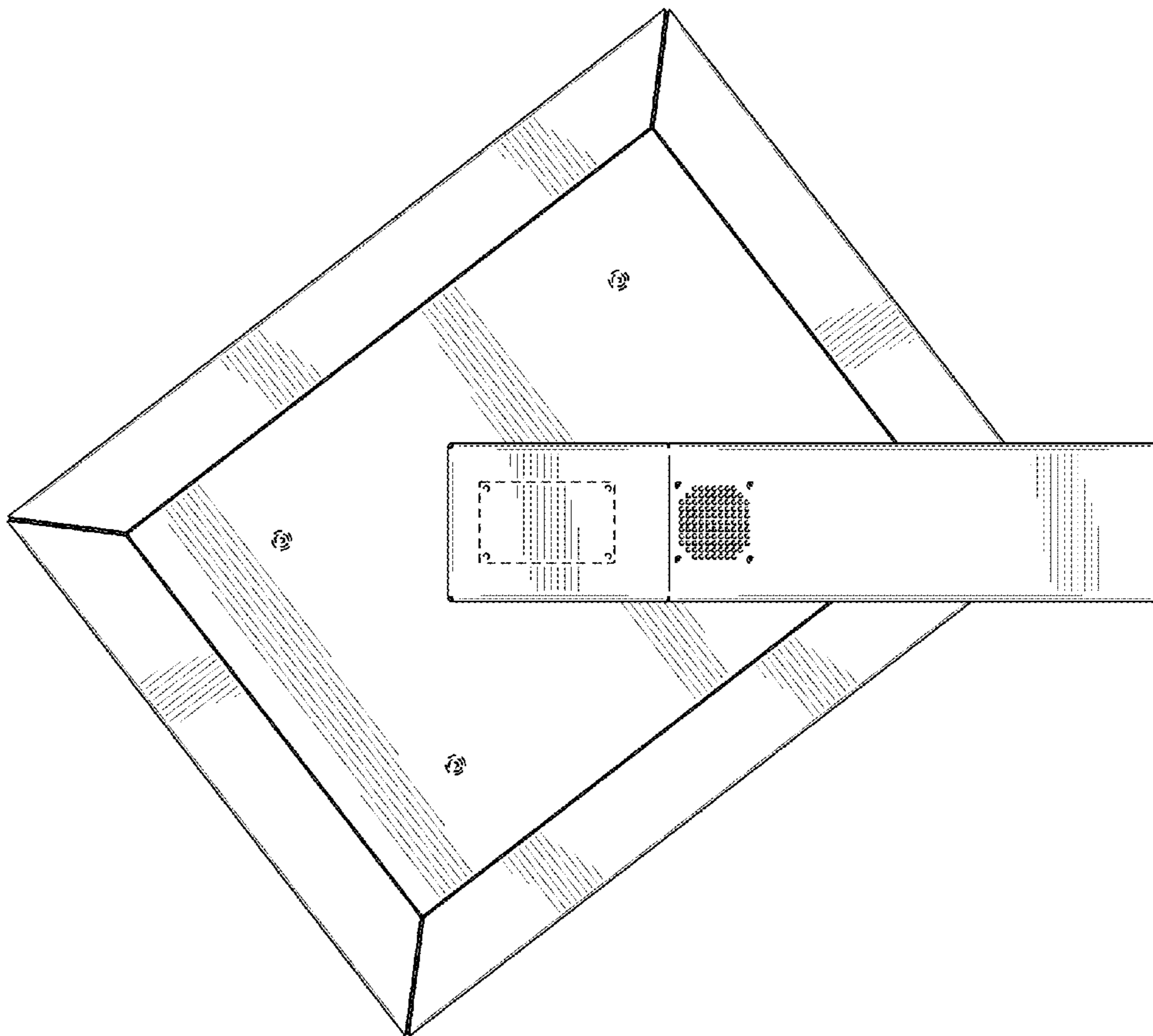


FIG. 7

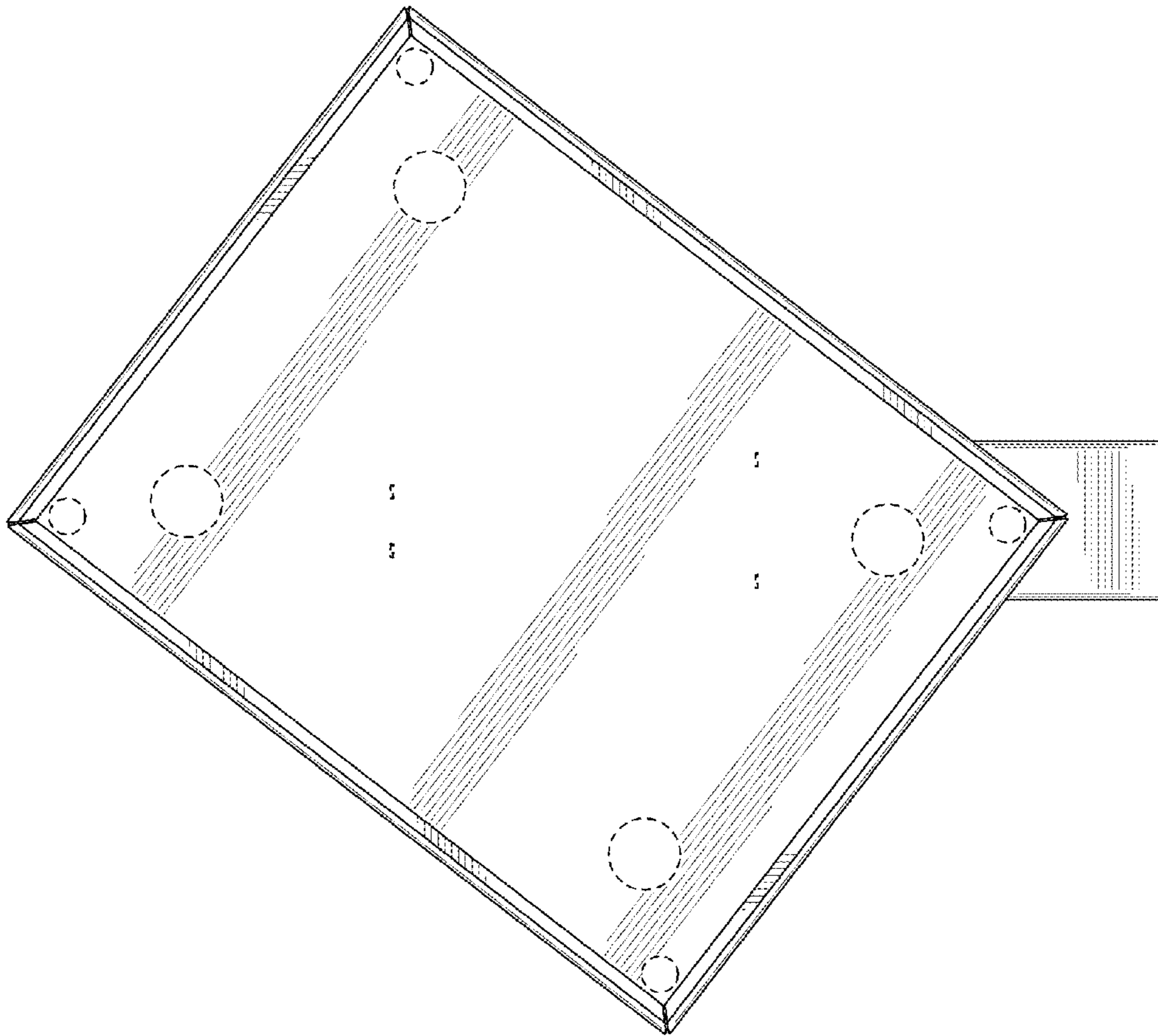


FIG. 8