



US00D712179S

(12) **United States Design Patent**
Baker et al.

(10) **Patent No.:** **US D712,179 S**
(45) **Date of Patent:** **** Sep. 2, 2014**

- (54) **BED COVER RETAINER**
- (71) Applicant: **SimpleIdeas, LLC**, Grand Rapids, MI (US)
- (72) Inventors: **Randal S. Baker**, Ada, MI (US); **Arlyn J. Boorsma**, Grand Rapids, MI (US); **Bryan J. Roodvoets**, Caledonia, MI (US)
- (73) Assignee: **SimpleIdeas, LLC**, Grand Rapids, MI (US)
- (**) Term: **14 Years**
- (21) Appl. No.: **29/470,063**
- (22) Filed: **Oct. 17, 2013**

4,276,667 A	7/1981	Osbourne
4,465,255 A	8/1984	Hill
4,541,137 A	9/1985	Murray
5,016,617 A	5/1991	Tarlow et al.
5,033,139 A	7/1991	Renfro
5,400,478 A	3/1995	Levinsohn et al.
5,437,067 A	8/1995	Bernstein et al.
5,640,726 A	6/1997	Fichner-Rathus
5,884,888 A	3/1999	Grimes, III et al.
5,946,751 A	9/1999	DeMay
6,834,403 B1	12/2004	Elliott
6,877,175 B1	4/2005	Jeffries et al.
6,907,628 B2	6/2005	El Guermaai
7,096,527 B2	8/2006	Malik
7,296,311 B1	11/2007	Navarrette
7,698,759 B1	4/2010	Frasier
2007/0120034 A1	5/2007	Sparling
2008/0040856 A1	2/2008	Adamson et al.

* cited by examiner

Primary Examiner — Janice Seeger

(74) *Attorney, Agent, or Firm* — Gardner, Linn, Burkhart & Flory, LLP

Related U.S. Application Data

- (60) Division of application No. 29/428,967, filed on Aug. 6, 2012, which is a continuation-in-part of application No. 13/403,233, filed on Feb. 23, 2012.
- (51) **LOC (10) Cl.** **06-99**
- (52) **U.S. Cl.**
USPC **D6/607**
- (58) **Field of Classification Search**
USPC D6/606, 607; 5/504.1, 505.1, 658, 498;
24/72.5; D8/349, 395
See application file for complete search history.

(57) **CLAIM**

The ornamental design for a bed cover retainer, as shown and described.

DESCRIPTION

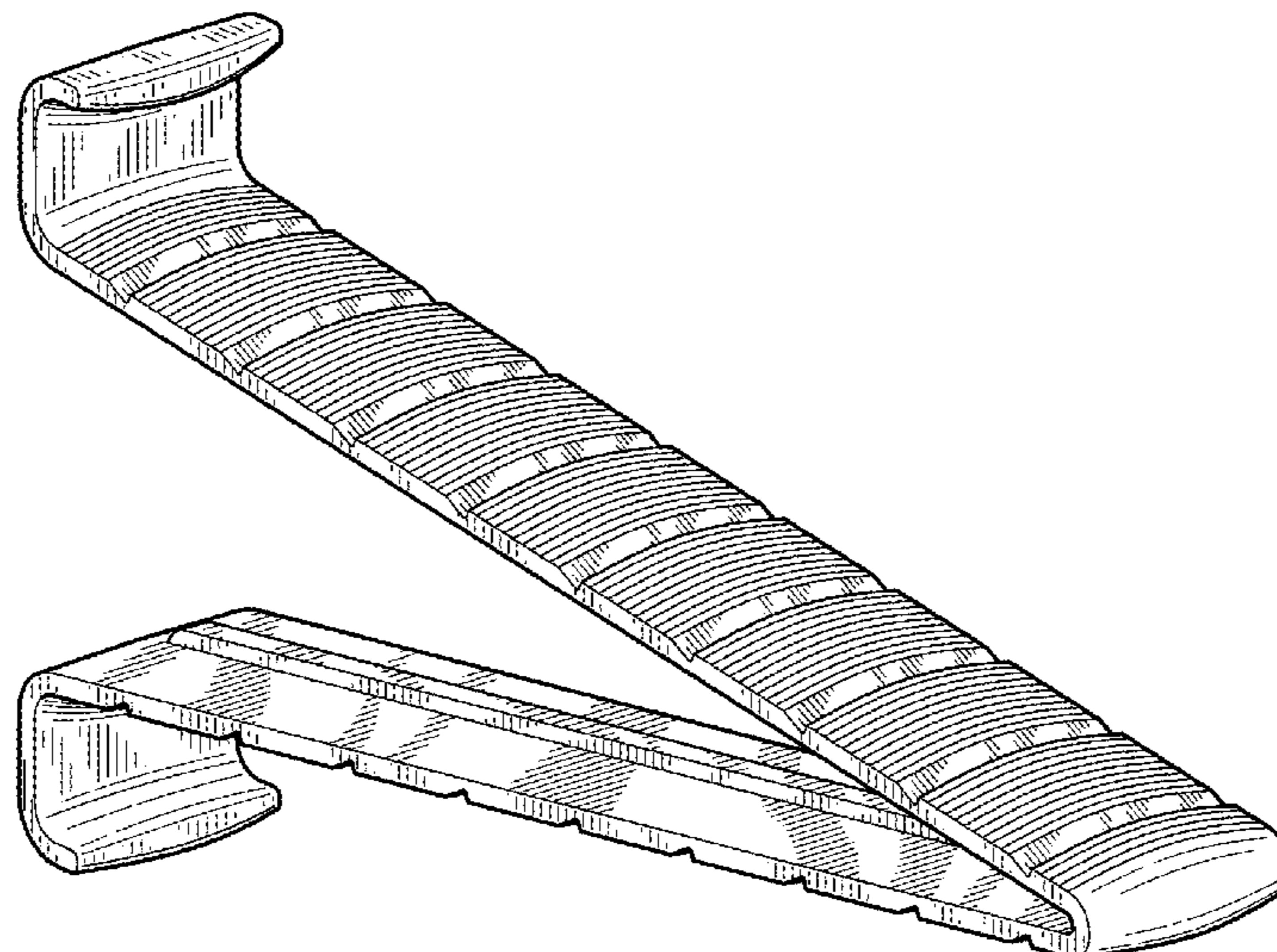
FIG. 1 is a perspective view of the bed cover retainer showing our new design;
 FIG. 2 is a top plan view of the bed cover retainer of FIG. 1, the bottom plan view being identical thereto;
 FIG. 3 is a right side elevation of the bed cover retainer of FIG. 1, the left side elevation being a mirror image thereof;
 FIG. 4 is a rear end elevation of the bed cover retainer of FIG. 1; and,
 FIG. 5 is a front end elevation of the bed cover retainer of FIG. 1.

1 Claim, 3 Drawing Sheets

(56) **References Cited**

U.S. PATENT DOCUMENTS

1,584,387 A	*	5/1926	Littlejohn	5/498
2,223,412 A		12/1940	Gartz		
3,196,468 A		7/1965	McWilliams		
3,790,770 A		2/1974	Stern		
4,191,354 A		3/1980	Chia-Liu		



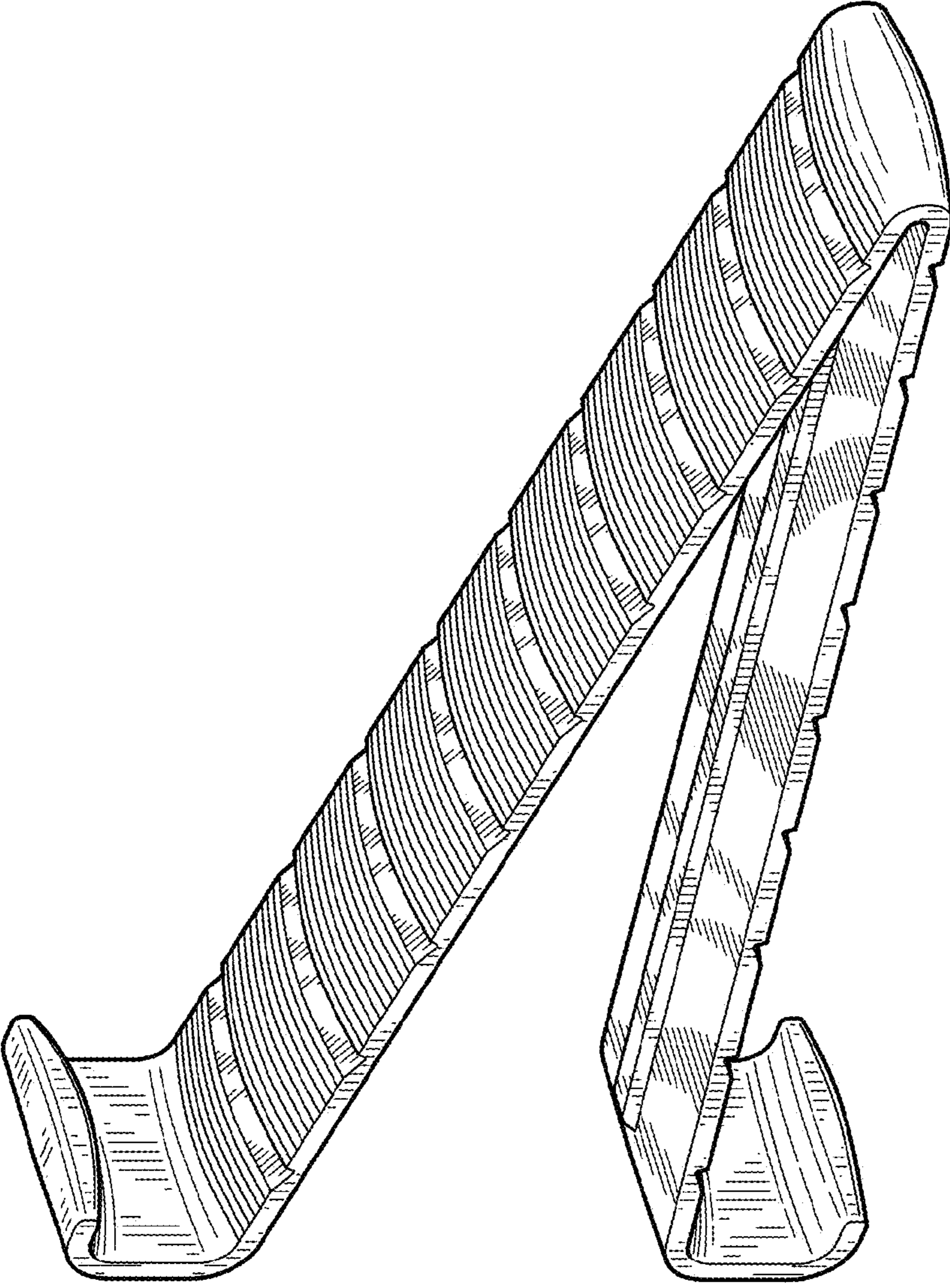


Fig. 1

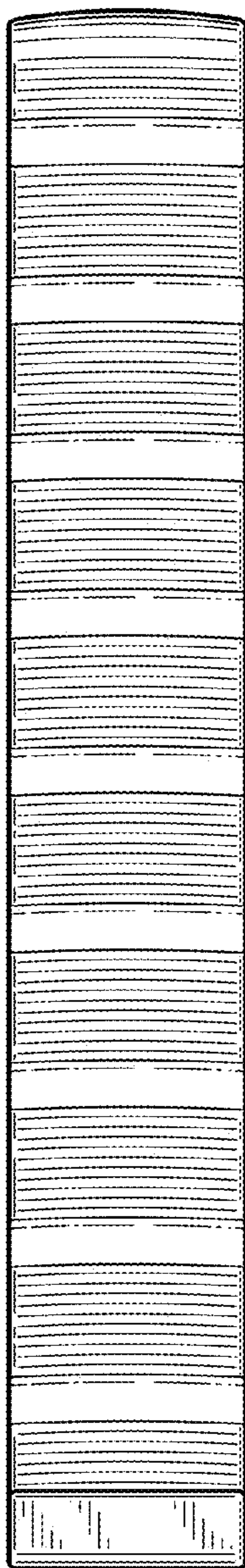


Fig. 2

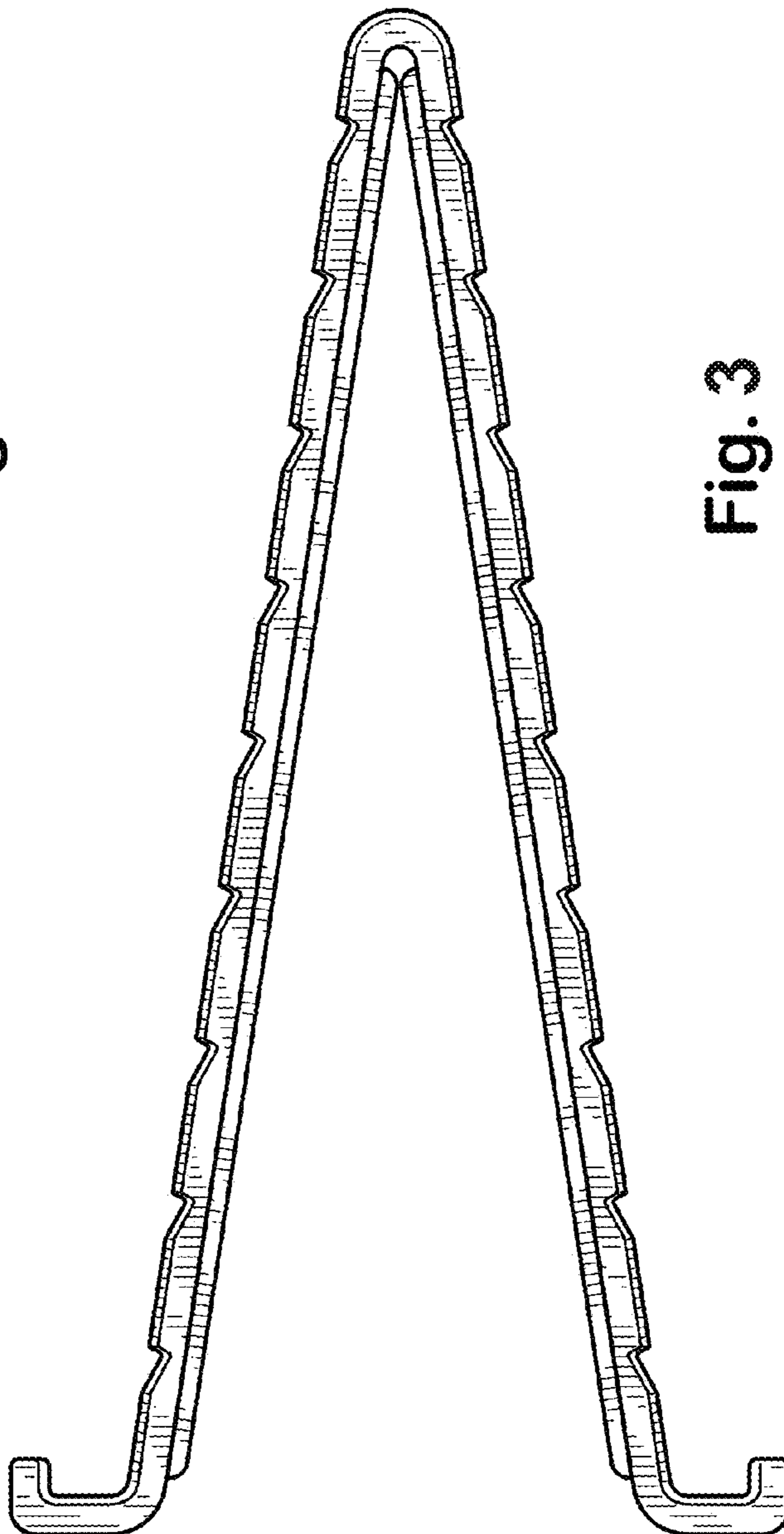


Fig. 3

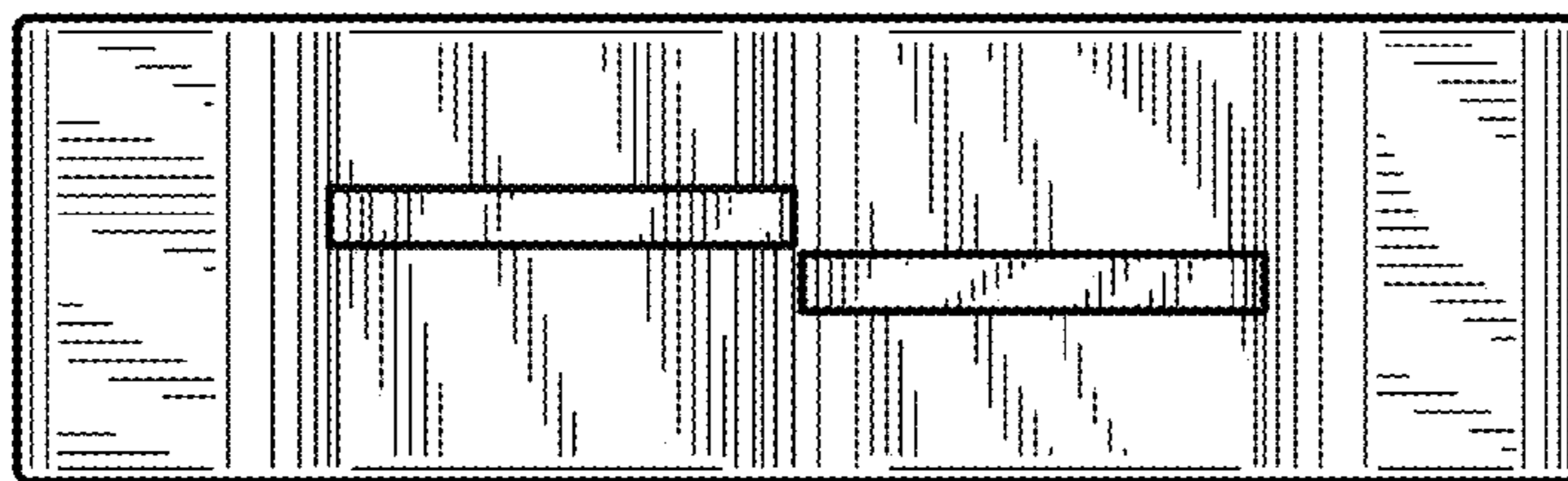


Fig. 5

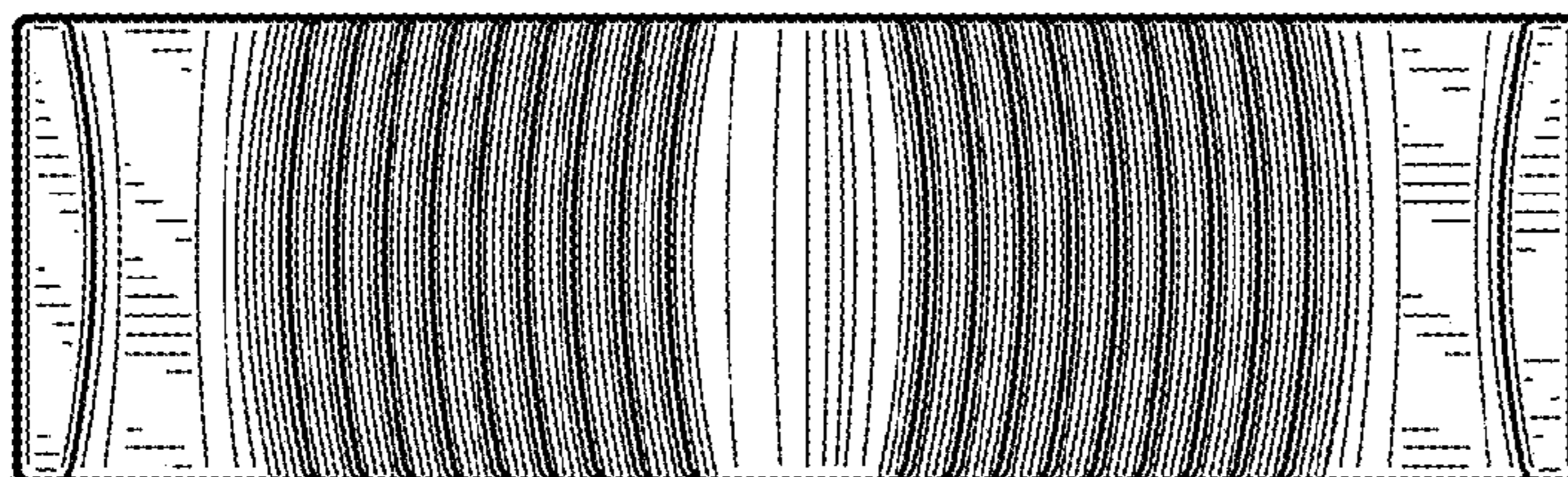


Fig. 4