



US00D712178S

(12) **United States Design Patent**
Goodman et al.

(10) **Patent No.:** **US D712,178 S**
(45) **Date of Patent:** **** Sep. 2, 2014**

(54) **TOWEL BAR**

(71) Applicant: **Spectrum Diversified Designs, Inc.**,
Streetsboro, OH (US)

(72) Inventors: **Sheldon H. Goodman**, Solon, OH (US);
Phaysouk Xayoiphonh, Akron, OH
(US)

(73) Assignee: **Spectrum Diversified Designs, Inc.**,
Streetsboro, OH (US)

(**) Term: **14 Years**

(21) Appl. No.: **29/446,964**

(22) Filed: **Feb. 28, 2013**

(51) **LOC (10) Cl.** **06-04**

(52) **U.S. Cl.**
USPC **D6/549**

(58) **Field of Classification Search**
USPC D6/512-514, 553, 567, 548, 549;
211/13.1, 34-39, 85.31, 113;
248/309.1, 309.2

See application file for complete search history.

(56) **References Cited**

U.S. PATENT DOCUMENTS

D579,248 S * 10/2008 Goodman et al. D6/513
D582,708 S * 12/2008 Goodman et al. D6/513
D618,023 S * 6/2010 Goodman et al. D6/549
D671,348 S * 11/2012 Cittadino D6/549

* cited by examiner

Primary Examiner — Brian N Vinson

(74) *Attorney, Agent, or Firm* — Renner, Otto, Boisselle &
Sklar, LLP

(57) **CLAIM**

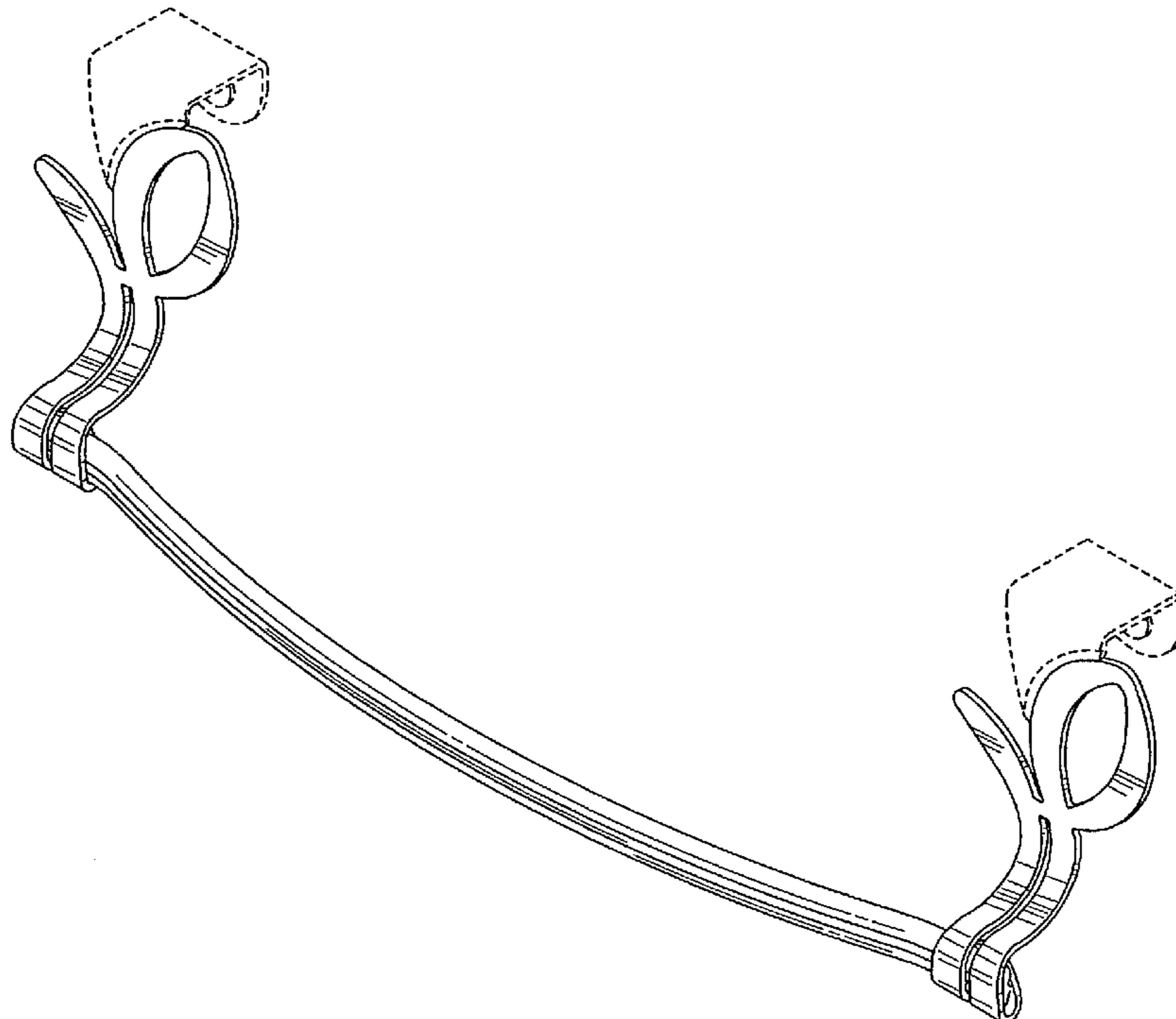
The ornamental design for a towel bar, as shown and
described.

DESCRIPTION

FIG. 1 is a perspective view of a towel bar showing our new
design;
FIG. 2 is a front view of the towel bar;
FIG. 3 is a rear view of the towel bar;
FIG. 4 is a left side view of the towel bar;
FIG. 5 is a right side view of the towel bar;
FIG. 6 is a top view of the towel bar;
FIG. 7 is a bottom view of the towel bar; and
FIG. 8 is a cross-sectional view of the towel bar; and,
FIG. 9 is a perspective view of a second embodiment of the
towel bar, which is the same as the first embodiment except
for the shape of the wire.

The broken lines in the drawing illustrate environmental mat-
ter and form no part of the claimed design.

1 Claim, 4 Drawing Sheets



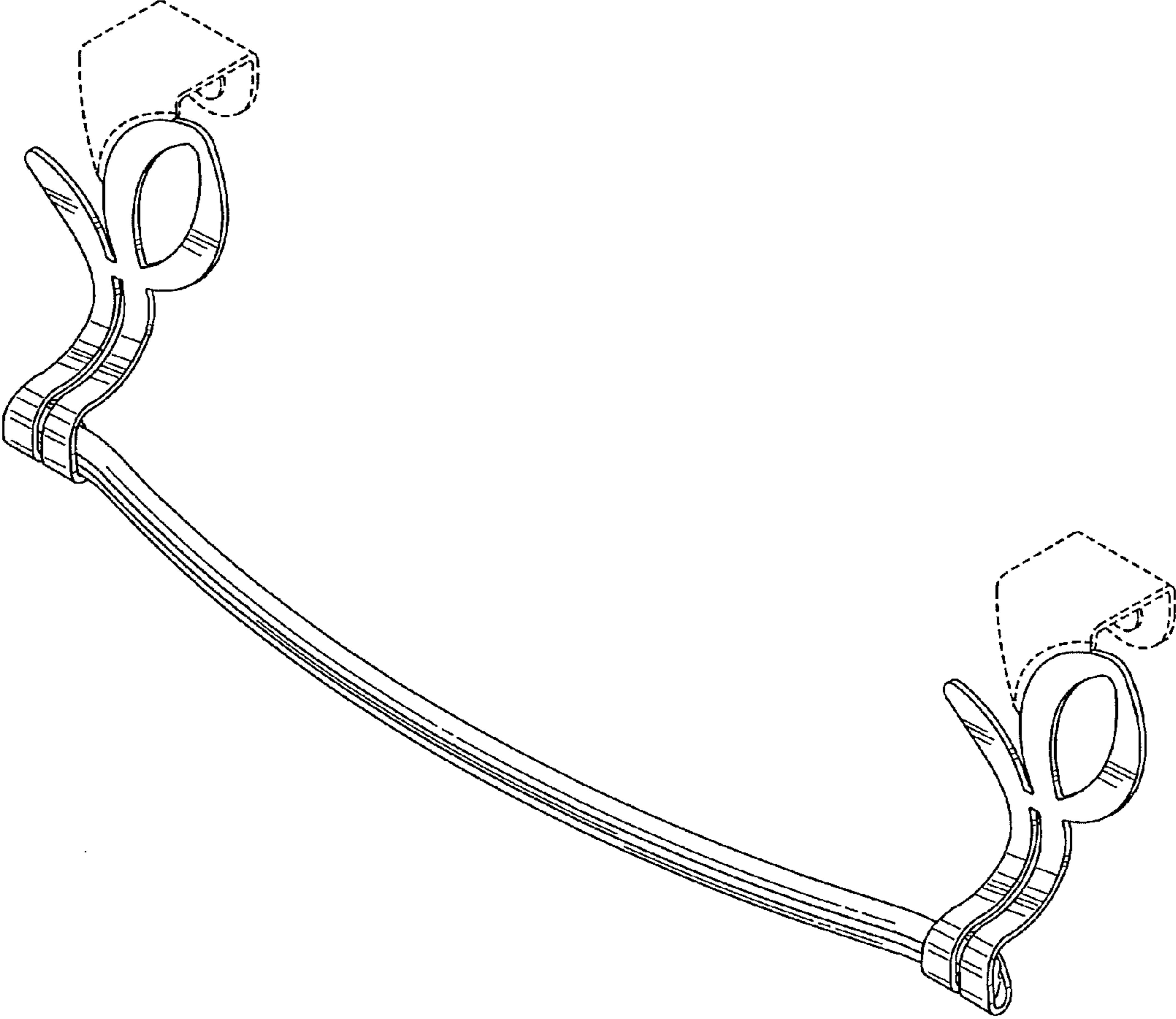


FIG 1

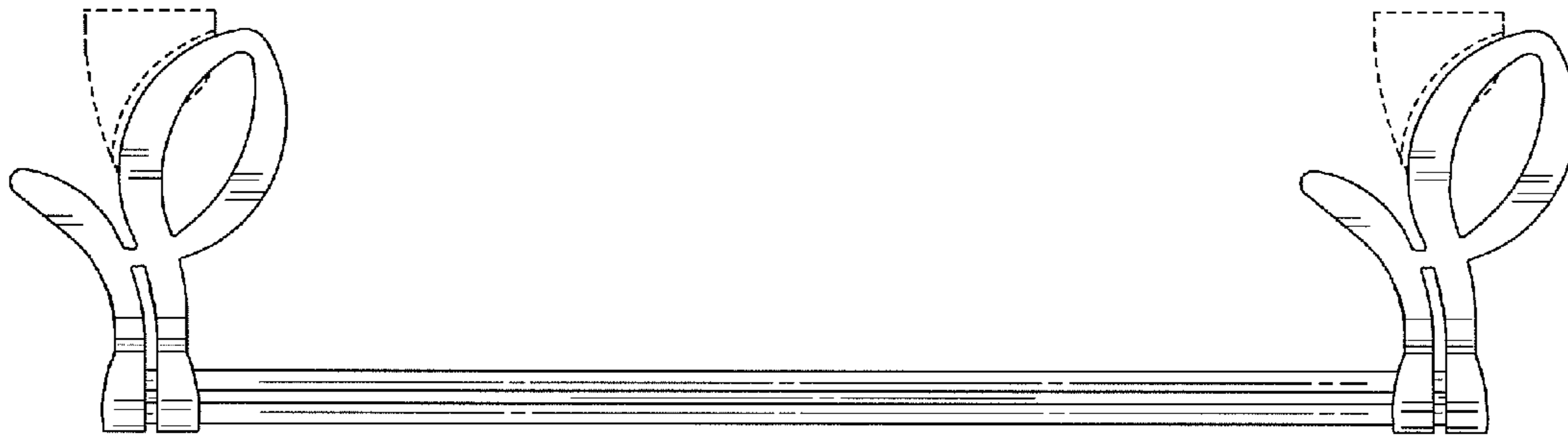


FIG 2

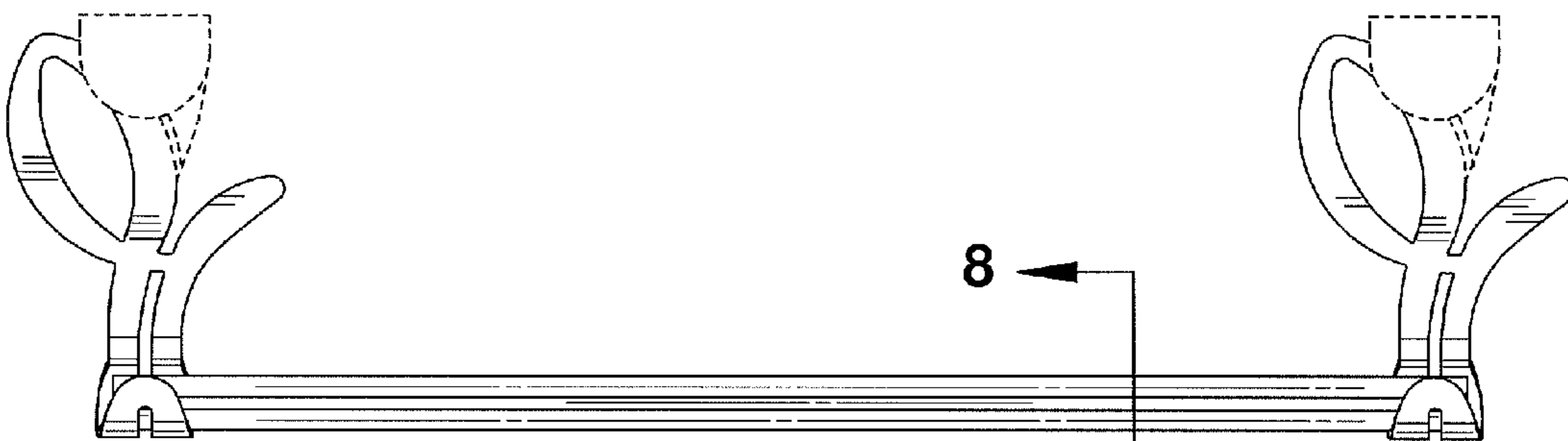


FIG 3

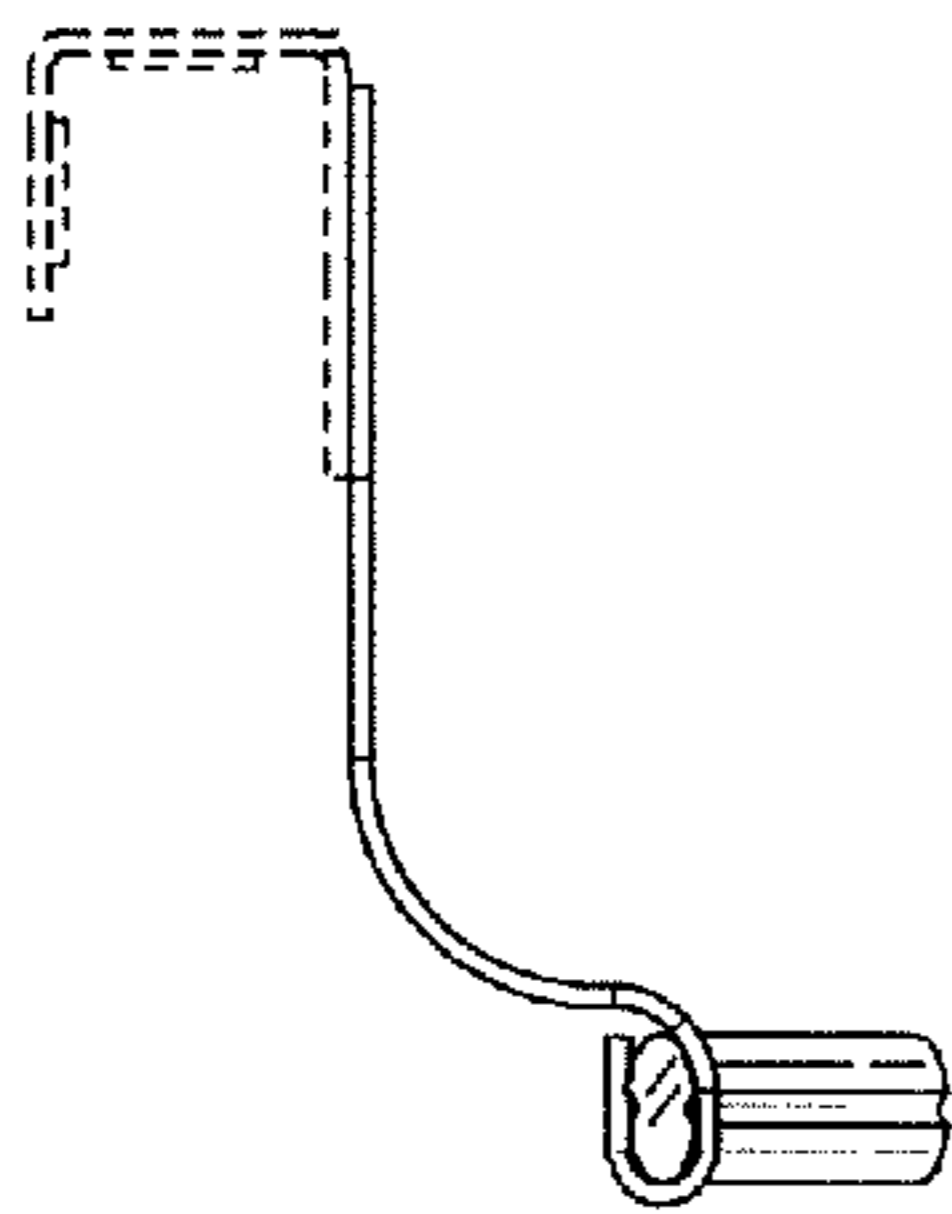


FIG 4

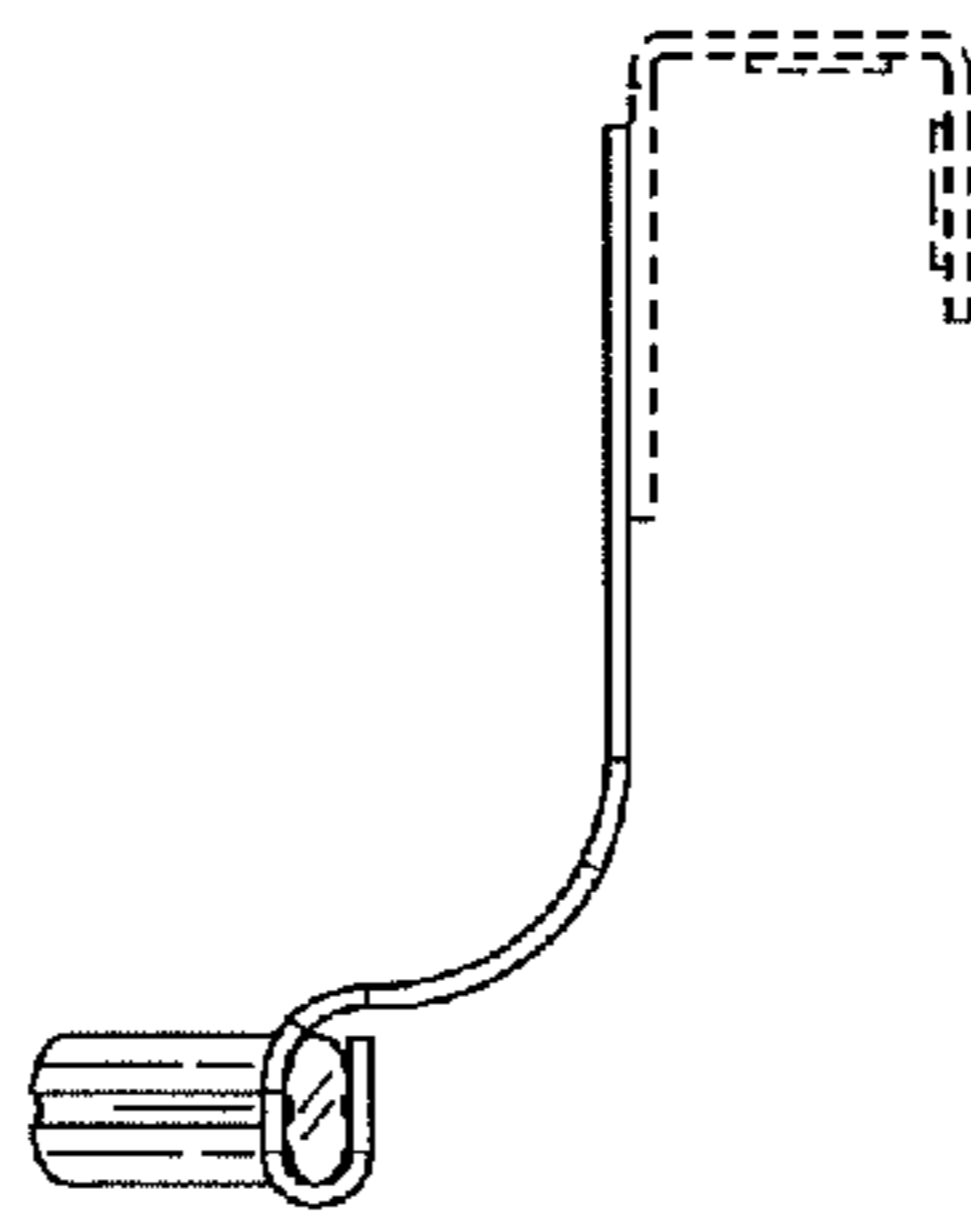


FIG 5



FIG 8



FIG 6



FIG 7

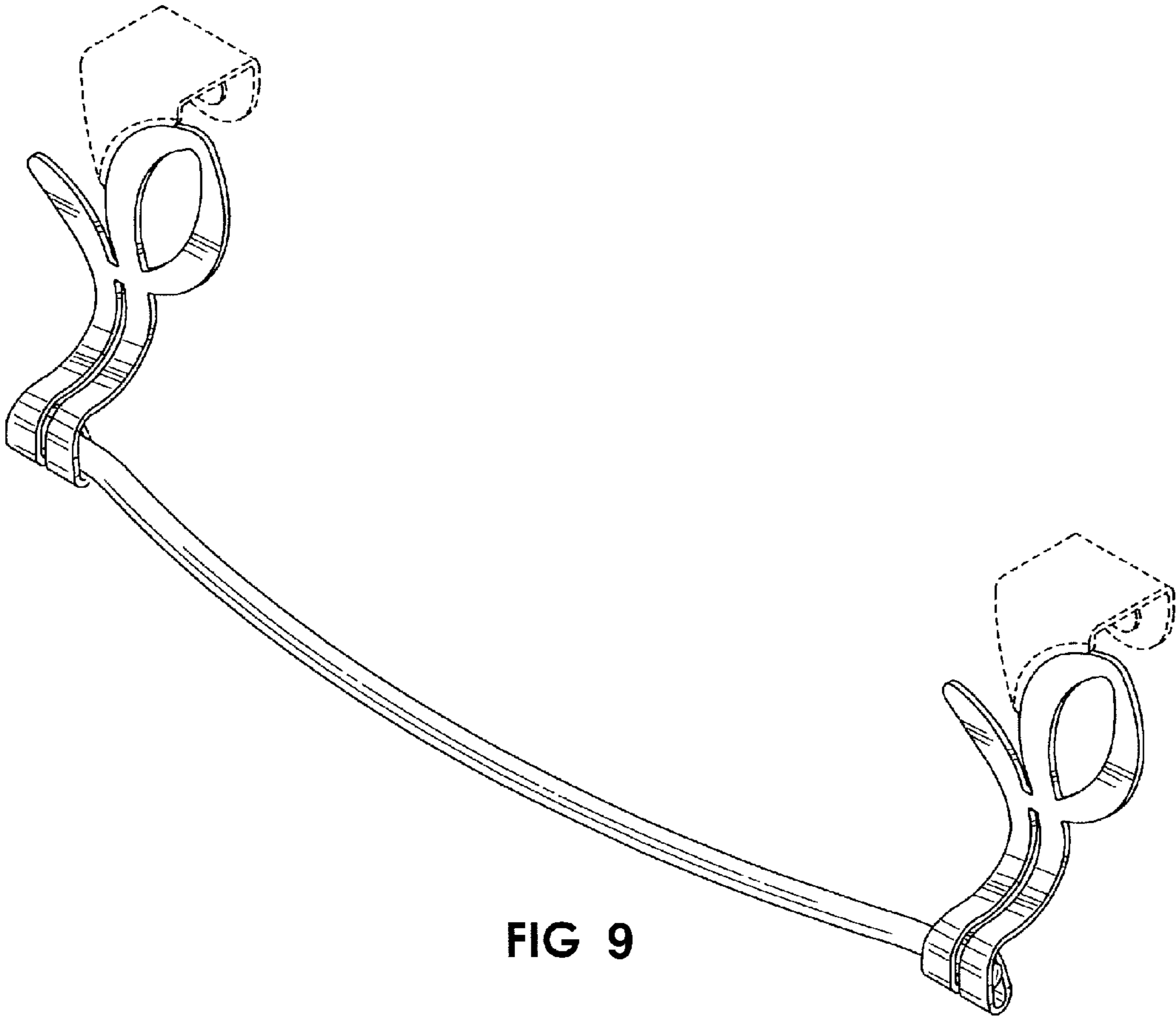


FIG 9