



US00D712176S

(12) **United States Design Patent**  
**Tamilarasan**

(10) **Patent No.:** **US D712,176 S**

(45) **Date of Patent:** **\*\* Sep. 2, 2014**

- (54) **DIAPER AND WIPE DISPENSER**
- (71) Applicant: **Sarah Felicia Tamilarasan**, Katy, TX  
(US)
- (72) Inventor: **Sarah Felicia Tamilarasan**, Katy, TX  
(US)

5,931,319 A *	8/1999	Murphy	211/85.2
D416,156 S *	11/1999	Mutti	D6/559
D417,979 S *	12/1999	Evans	D6/661
D497,069 S *	10/2004	Aisley et al.	D6/559
D666,433 S *	9/2012	Williams	D6/661
D686,842 S *	7/2013	Murphy	D6/515
2013/0113350 A1 *	5/2013	Lee	312/224

\* cited by examiner

(\*\*) Term: **14 Years**

*Primary Examiner* — Derrick Holland

*Assistant Examiner* — Lauren Calve

(21) Appl. No.: **29/464,450**

(57) **CLAIM**

The ornamental design for a diaper and wipe dispenser, as shown and described.

(22) Filed: **Aug. 16, 2013**

(51) **LOC (10) Cl.** ..... **20-02**

(52) **U.S. Cl.**  
USPC ..... **D6/515; D6/661**

**DESCRIPTION**

(58) **Field of Classification Search**  
USPC ..... D9/414, 417, 418, 420, 428, 430, 434,  
D9/435, 440, 443, 454, 455, 730, 731, 733,  
D9/734, 736, 737; D7/601, 602; D3/201,  
D3/205, 206, 207, 273, 283, 284, 293, 295,  
D3/294; D6/515, 518, 523, 559, 657, 660,  
D6/661, 662, 662.1; 206/6.1, 233, 740,  
206/742, 751, 775, 776; 211/13.1, 85.2,  
211/163, 165; 312/129, 204, 242, 305  
See application file for complete search history.

FIG. 1 is a perspective view of a diaper and wipe dispenser with a door frame being closed;  
FIG. 2 is a front elevational view thereof;  
FIG. 3 is a rear elevational view thereof;  
FIG. 4 is a left-side elevational view thereof;  
FIG. 5 is a right-side elevational view thereof;  
FIG. 6 is a top plan view thereof; and,  
FIG. 7 is a bottom plan view thereof.  
FIG. 8 is a perspective view of a diaper and wipe dispenser with a door frame being open;  
FIG. 9 is a front elevational view thereof;  
FIG. 10 is a rear elevational view thereof;  
FIG. 11 is a left-side elevational view thereof;  
FIG. 12 is a right-side elevational view thereof;  
FIG. 13 is a top plan view thereof; and,  
FIG. 14 is a bottom plan view thereof.

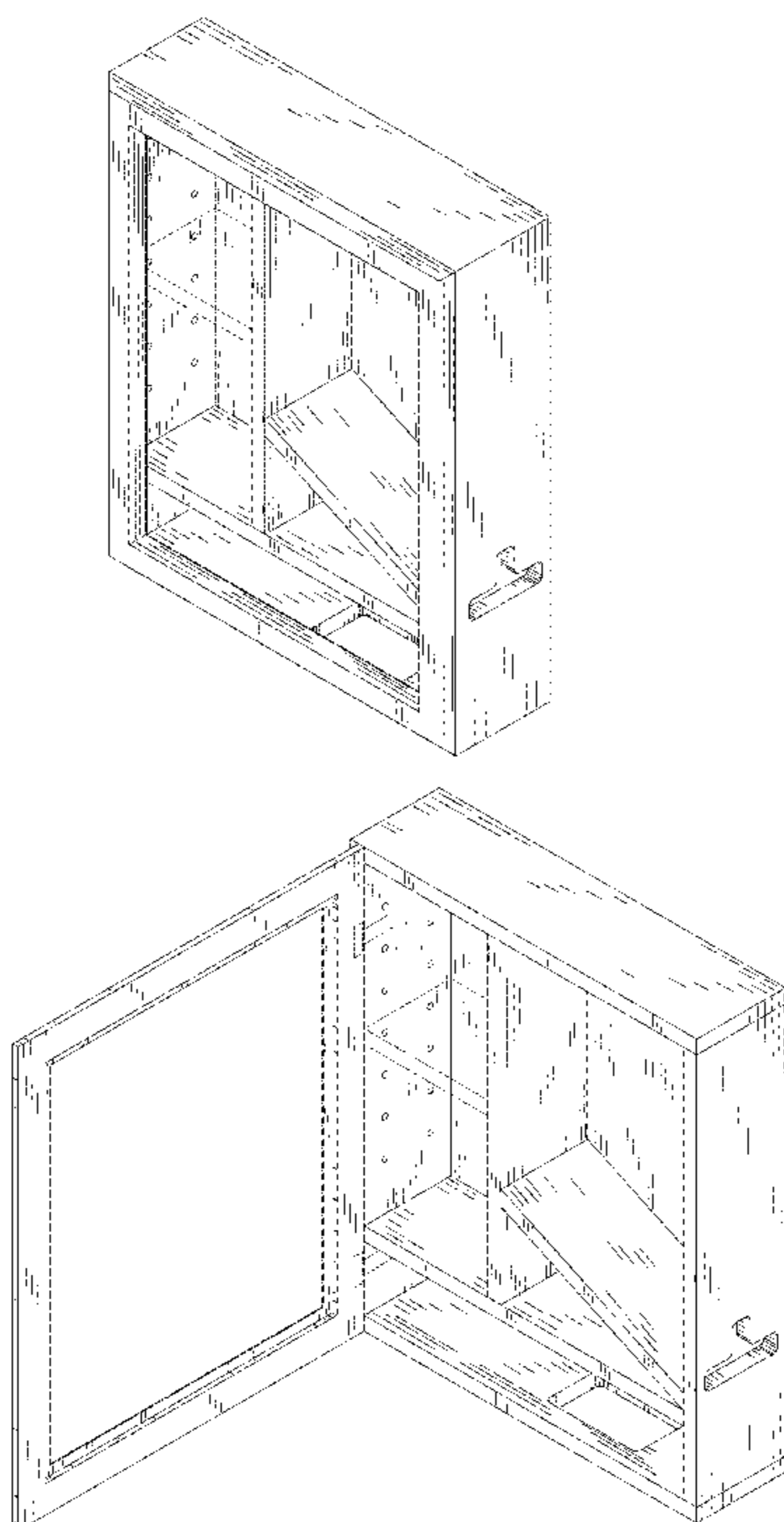
The broken lines shown represent unclaimed subject matter and form no part of the claimed design.

(56) **References Cited**

**U.S. PATENT DOCUMENTS**

809,592 A *	1/1906	Watts	312/242
1,598,384 A *	8/1926	Monzon	206/92
3,168,192 A *	2/1965	Nicholson et al.	206/45.24
D235,513 S *	6/1975	Greer	D3/294
D367,196 S *	2/1996	Mashal	D6/559
D403,534 S *	1/1999	Gregory et al.	D6/661

**1 Claim, 14 Drawing Sheets**



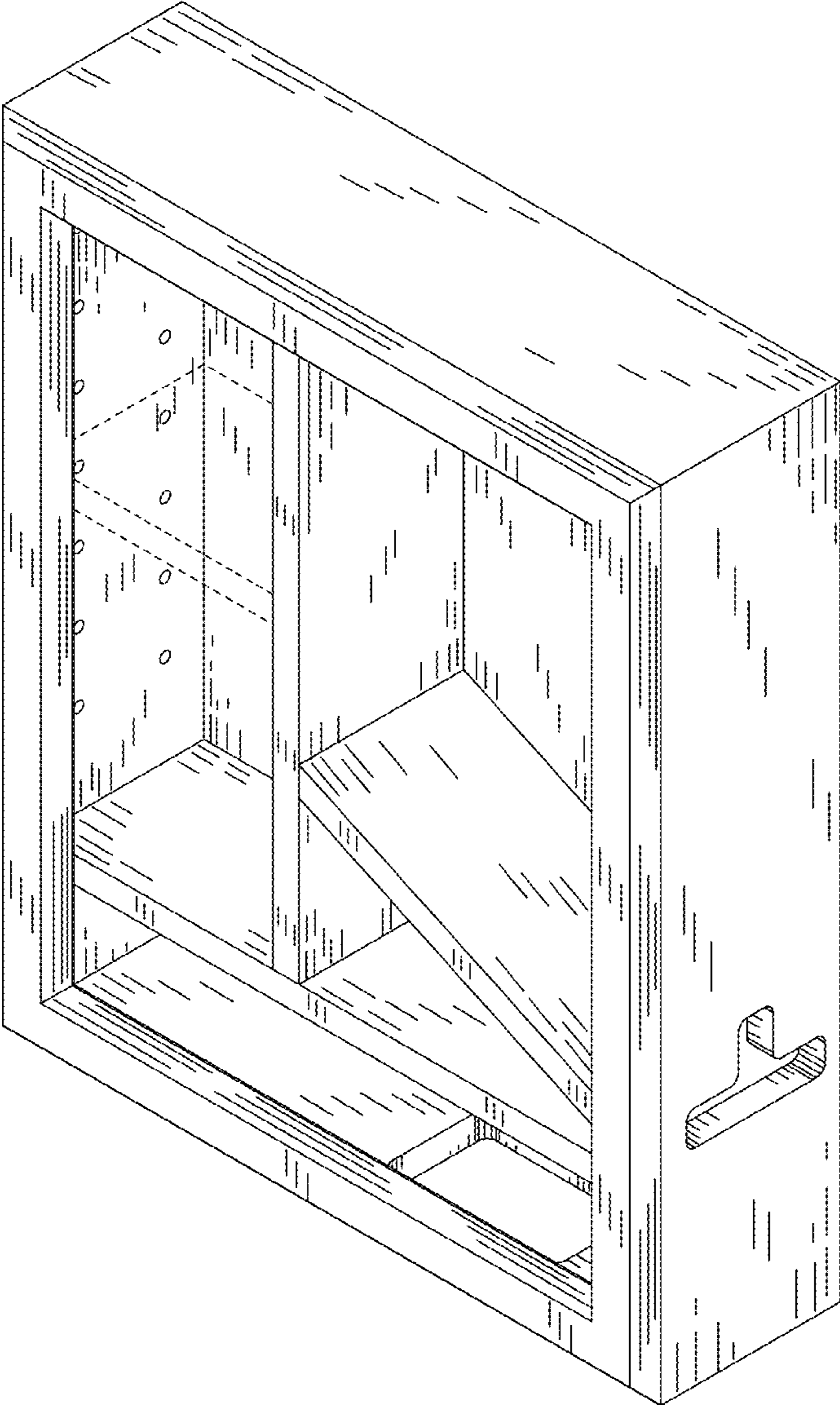


FIG. 1

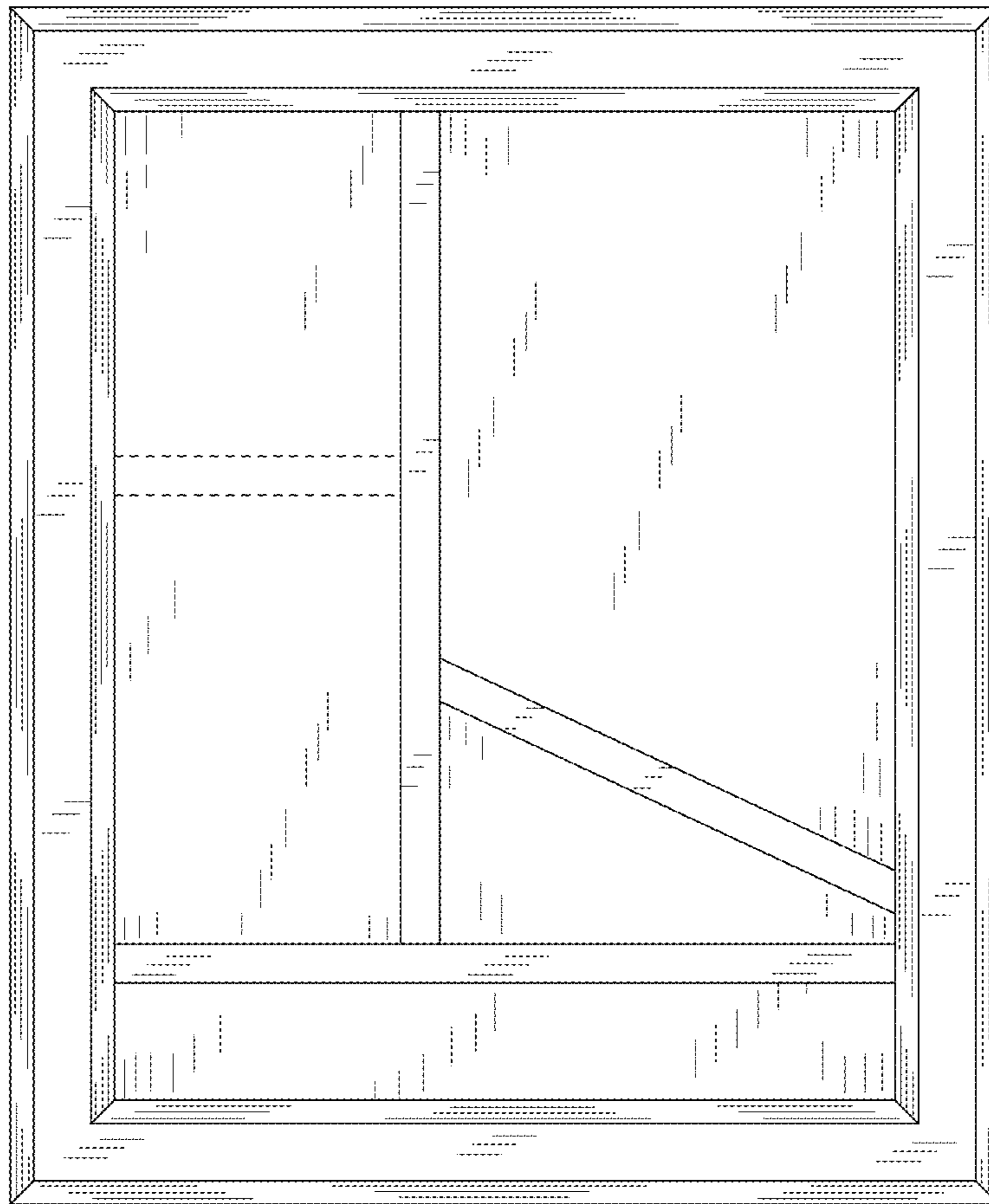


FIG. 2

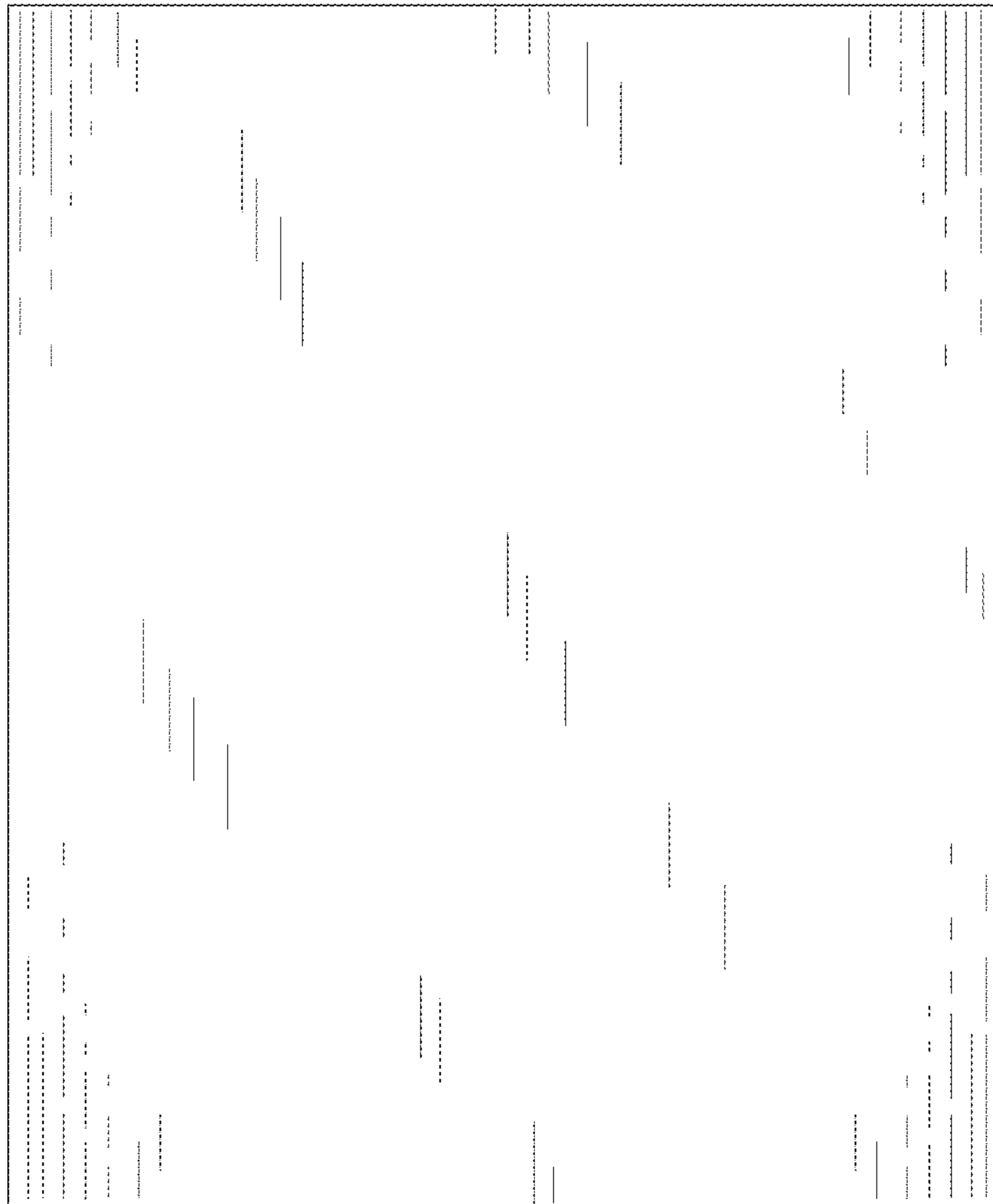


FIG. 3

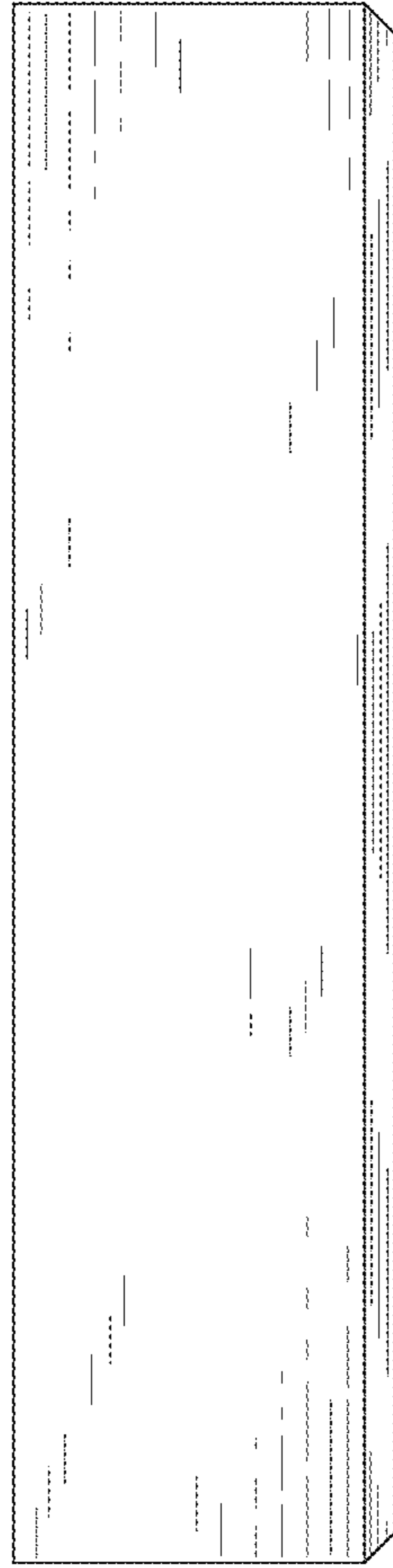


FIG. 4



FIG. 5

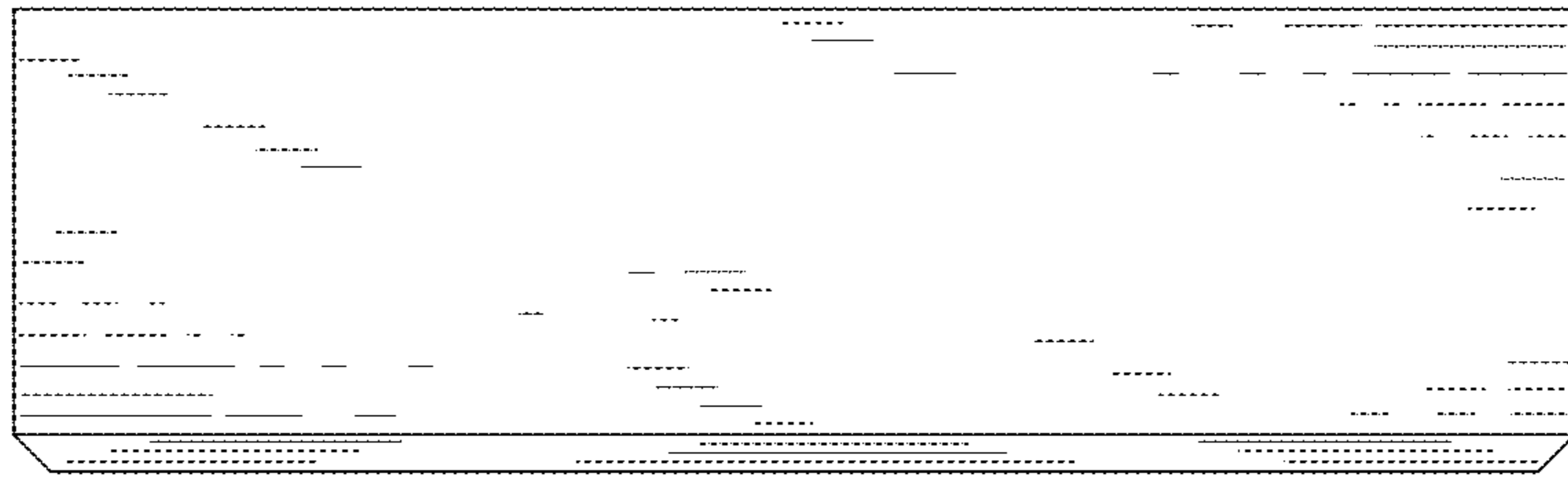


FIG. 6

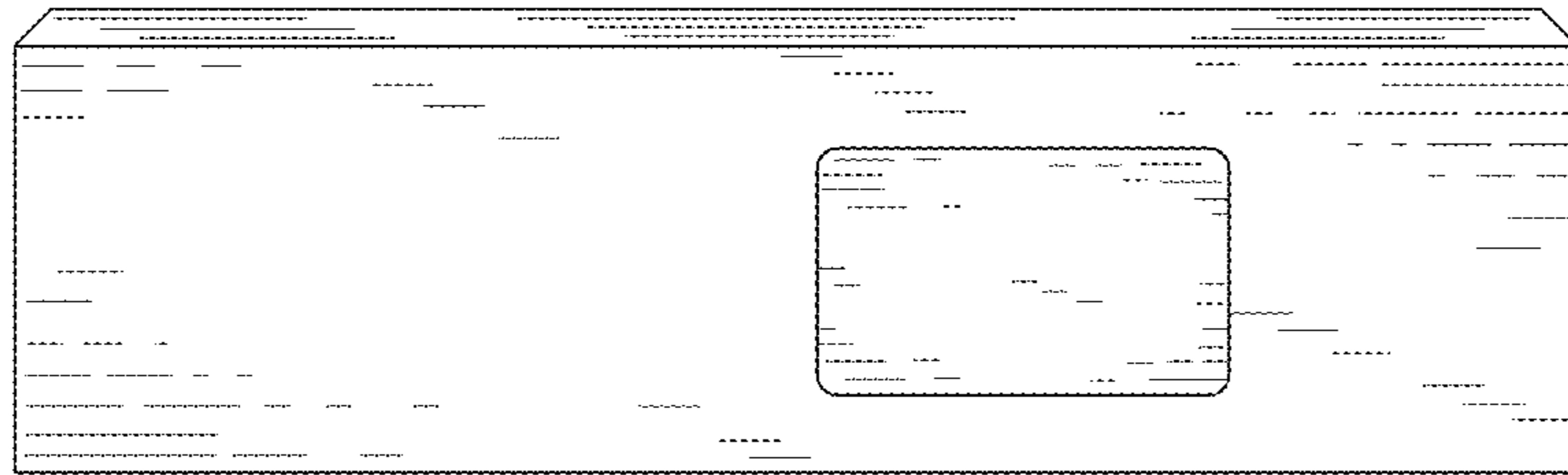


FIG. 7



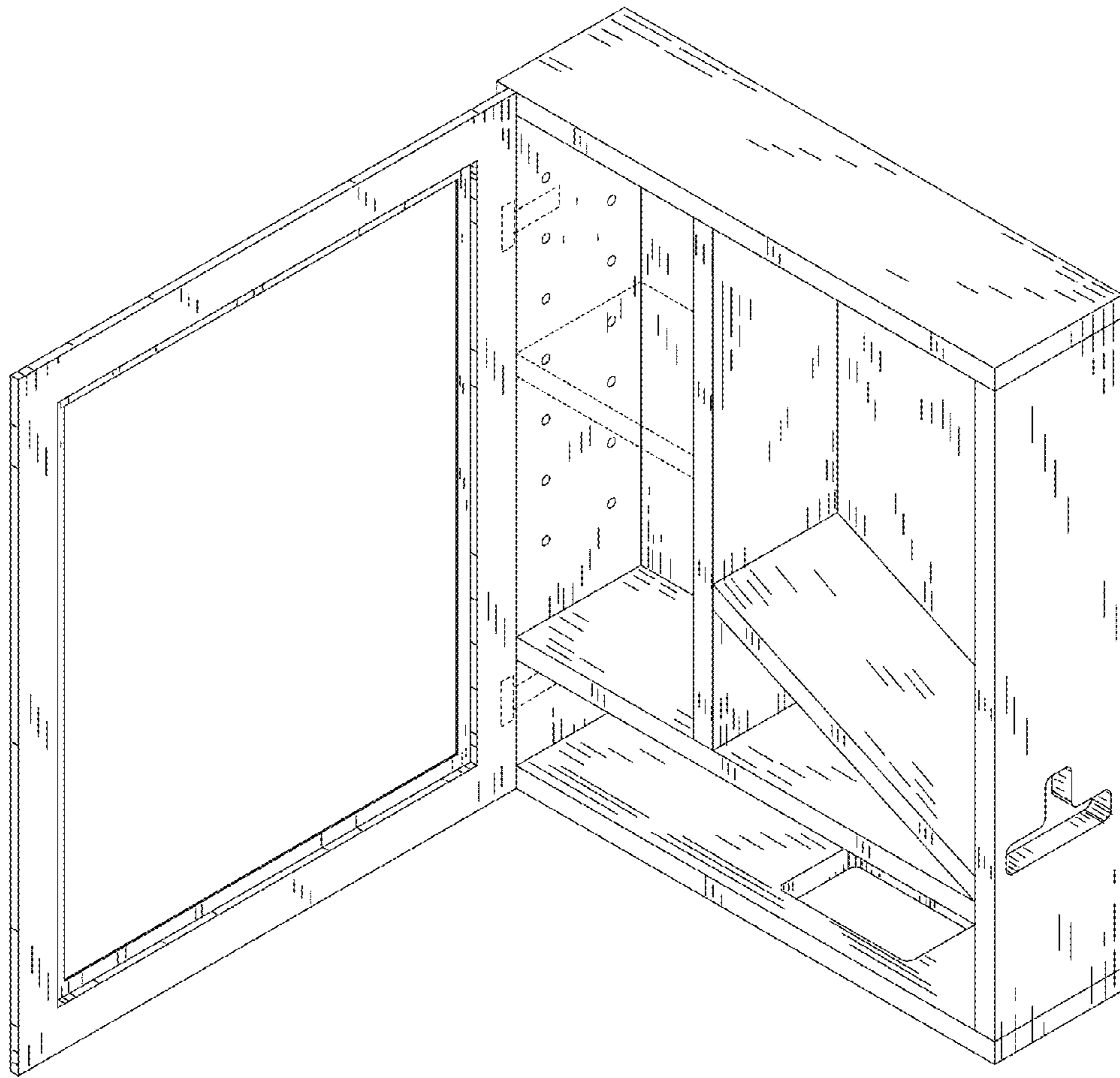


FIG. 8

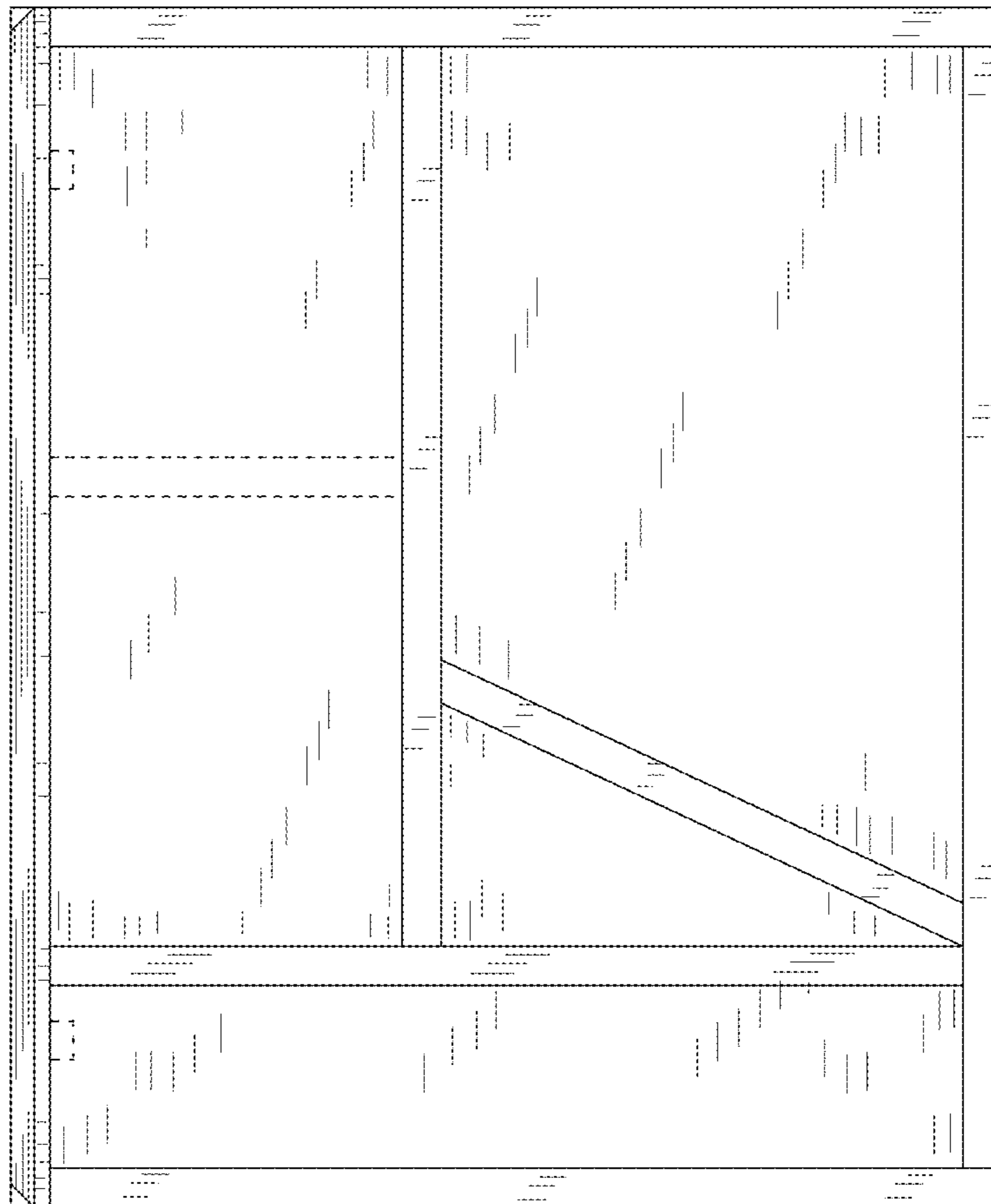


FIG. 9

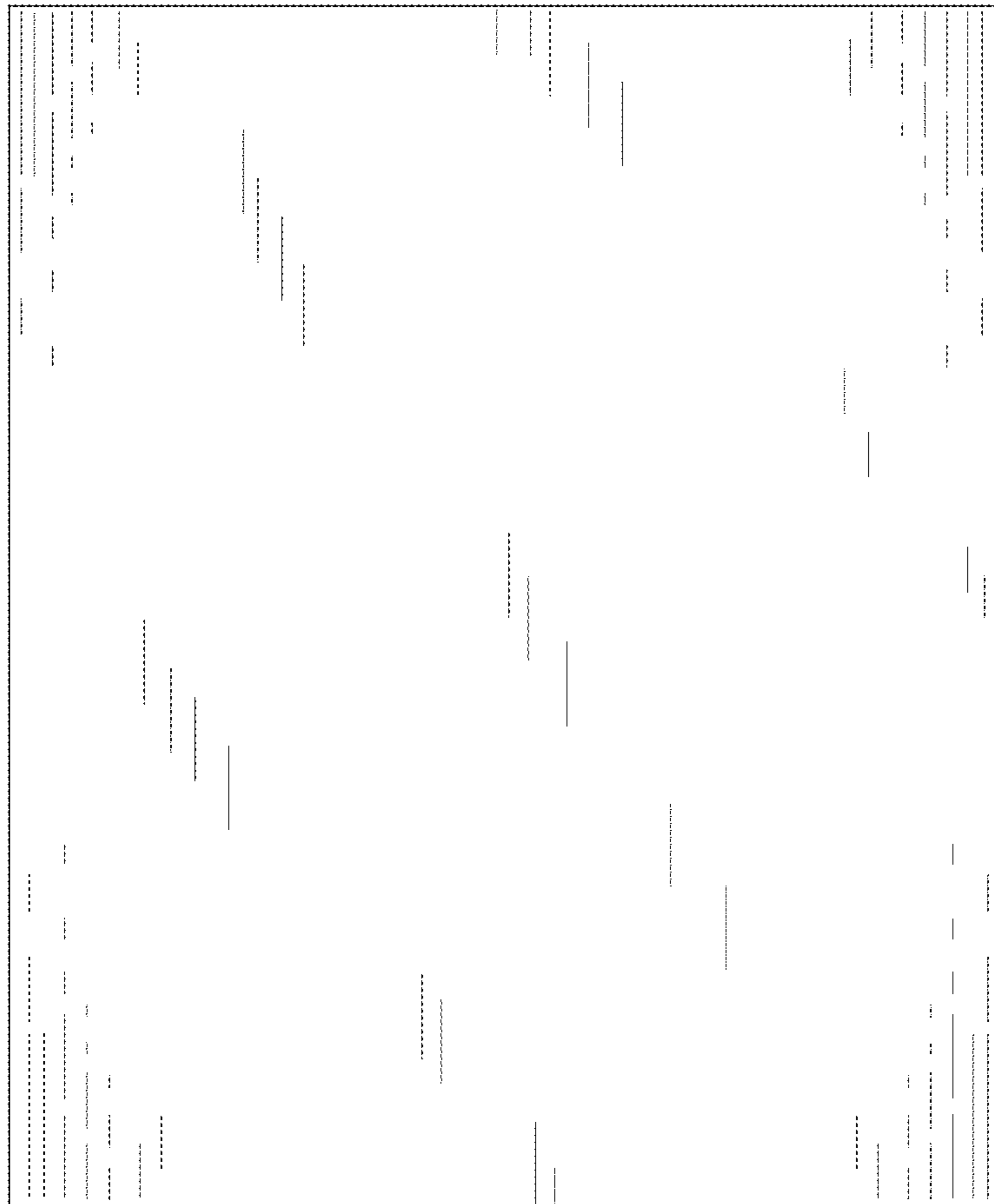


FIG. 10

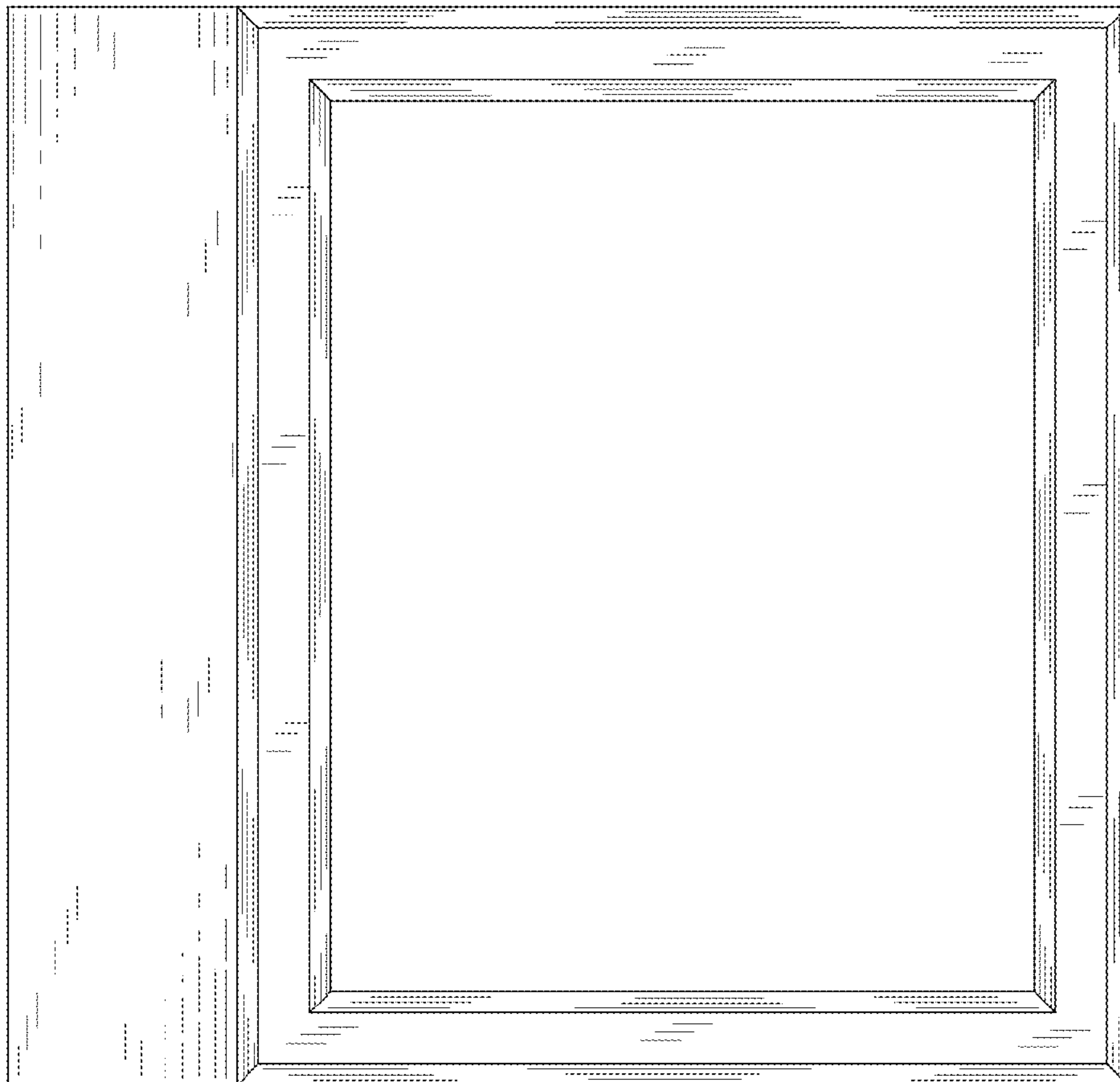


FIG. 11

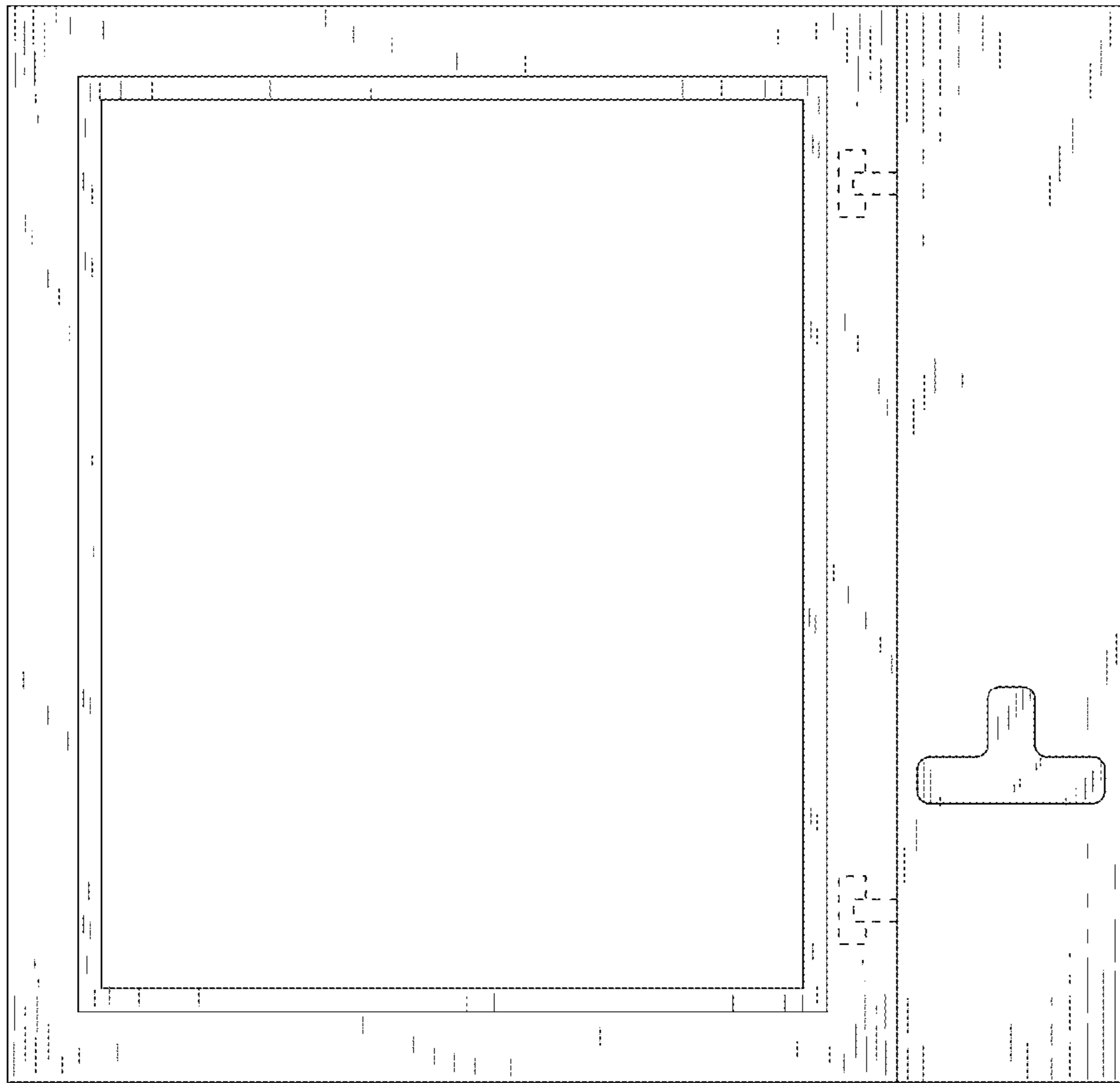


FIG. 12

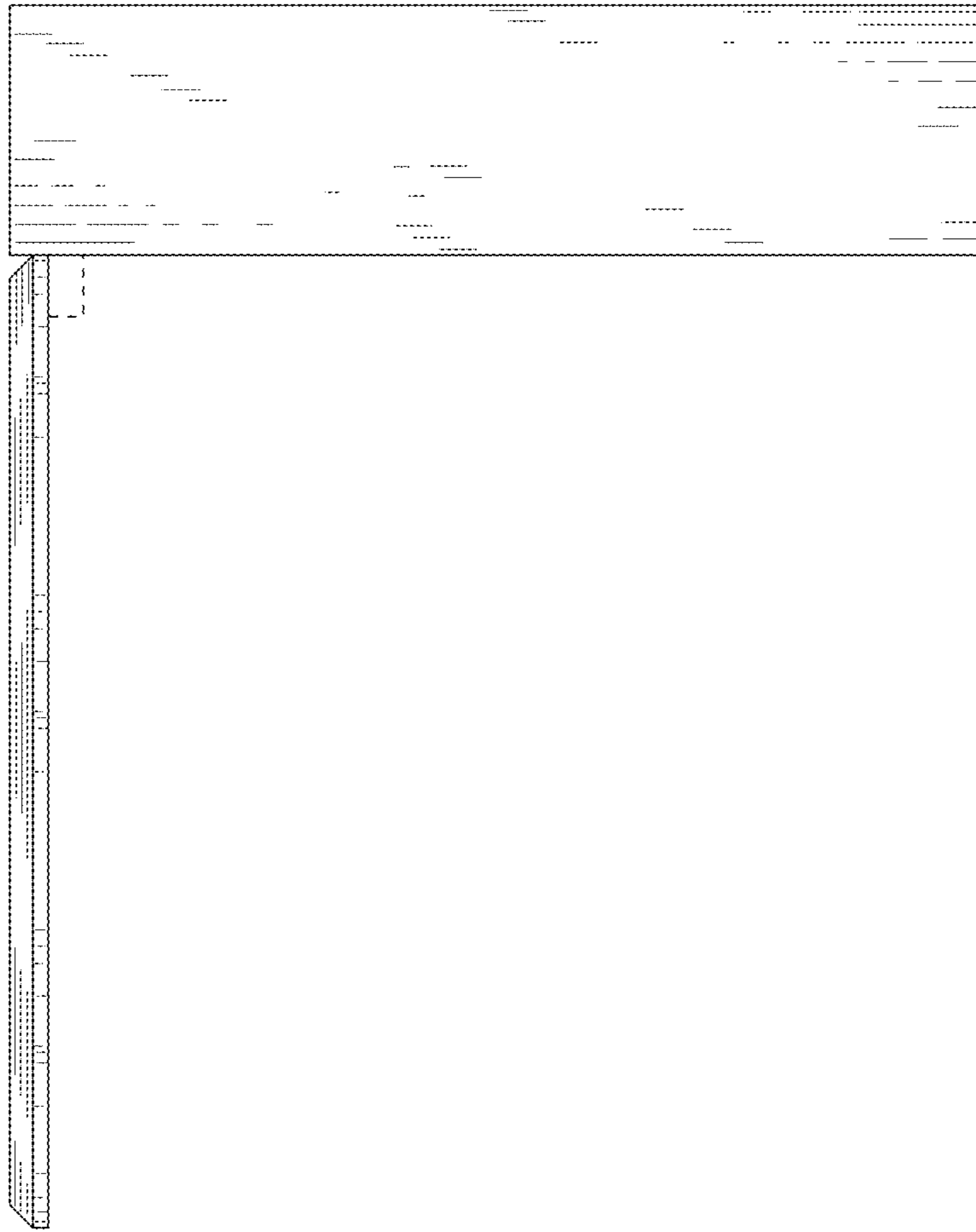


FIG. 13



FIG. 14