



US00D712173S

(12) **United States Design Patent**  
**Ciani et al.**

(10) **Patent No.:** **US D712,173 S**

(45) **Date of Patent:** **\*\* \*Sep. 2, 2014**

(54) **COUCH**

(76) Inventors: **Edi Ciani**, San Giovanni al Natisone (IT); **Paolo Ciani**, San Giovanni al Natisone (IT)

(\*) Notice: This patent is subject to a terminal disclaimer.

(\*\*) Term: **14 Years**

(21) Appl. No.: **29/424,094**

(22) Filed: **Jun. 7, 2012**

(51) **LOC (10) Cl.** ..... **06-01**

(52) **U.S. Cl.**  
USPC ..... **D6/377**

(58) **Field of Classification Search**

CPC ..... A47C 17/00; A47C 17/02; A47C 7/18; A47C 7/24; A47C 5/125; A47C 3/14; A47C 3/16; A47C 17/36; A47C 17/22  
USPC ..... D6/334-336, 361, 364, 371, 372, 373, D6/374, 377, 381, 716, 716.1, 716.2, D6/716.3, 716.4; 5/12.1, 12.2; 297/232, 297/283.2, 283.3, 445.1, 446.1, 447.3, 297/448.1, 448.2

See application file for complete search history.

(56) **References Cited**

U.S. PATENT DOCUMENTS

61,610 A *	1/1867	Cutter .....	A47C 17/22
151,539 A *	6/1874	Johnson .....	A47C 17/22
D174,584 S *	4/1955	Michlin .....	D6/377
D174,827 S *	5/1955	Michlin .....	D6/377
D174,960 S *	6/1955	Michlin .....	D6/377
D368,174 S *	3/1996	Lewis .....	D6/377
D390,021 S *	2/1998	Smith .....	D6/361
D444,957 S *	7/2001	Kagan .....	D6/377
D619,820 S *	7/2010	Lissoni .....	D6/381
D647,317 S *	10/2011	Urquiola .....	D6/377
D682,575 S *	5/2013	Versace .....	D6/377

\* cited by examiner

*Primary Examiner* — Mimoso De

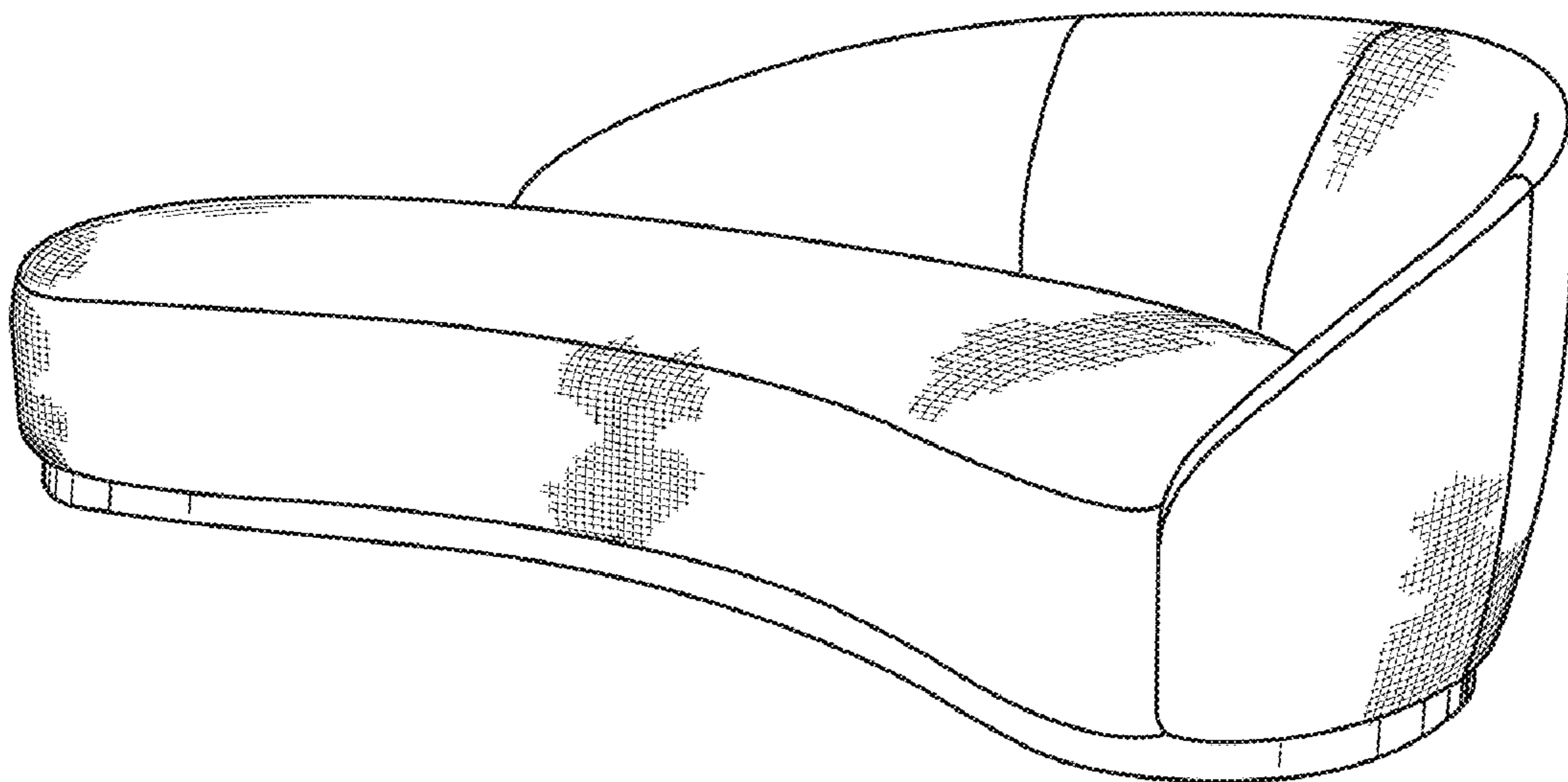
(57) **CLAIM**

The ornamental design for a couch, as shown and described.

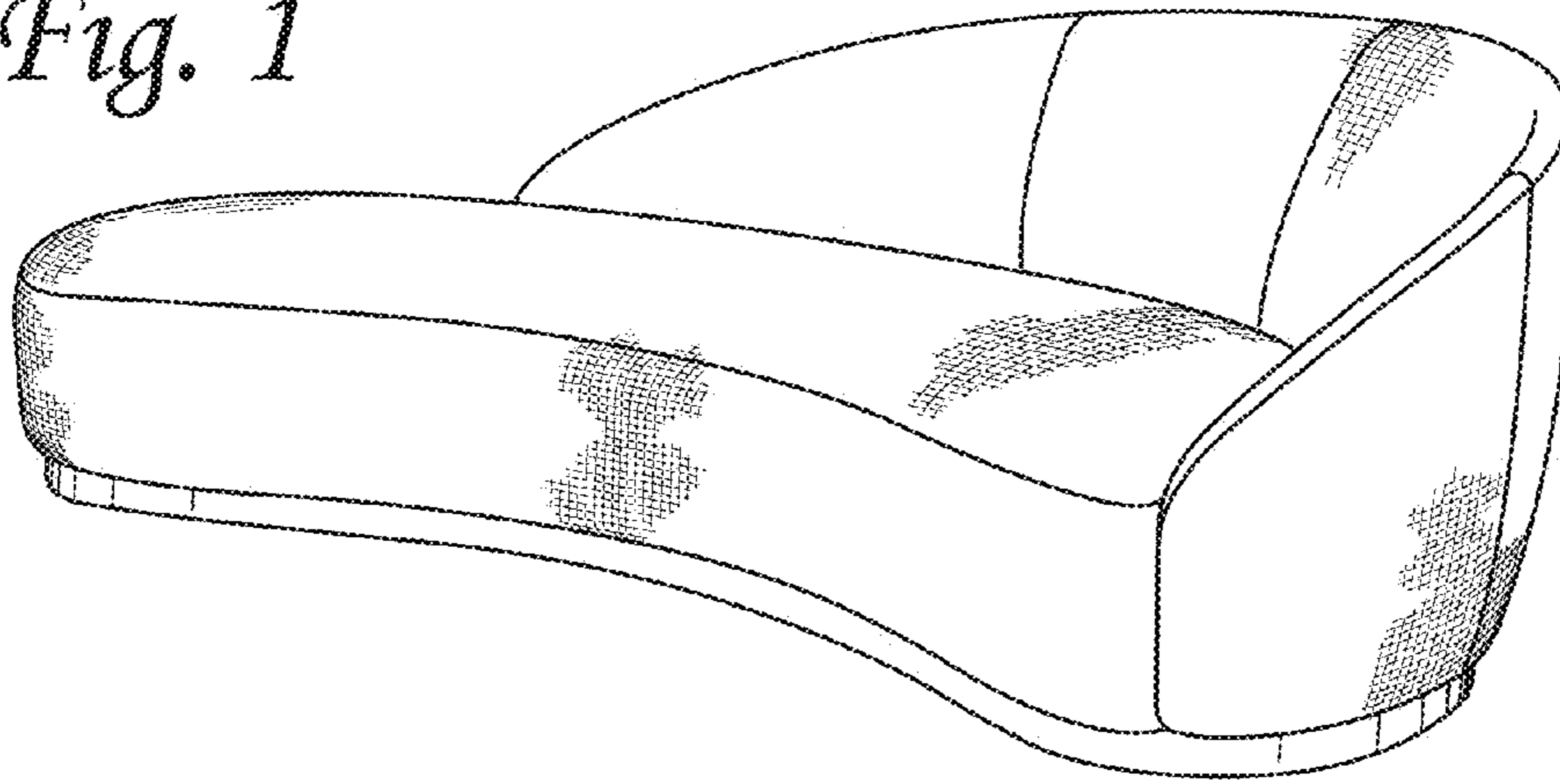
**DESCRIPTION**

FIG. 1 is a perspective view of a couch showing my new design;  
FIG. 2 is a front elevational view thereof;  
FIG. 3 is a rear elevational view thereof;  
FIG. 4 is a top plan view thereof;  
FIG. 5 is a bottom plan view thereof;  
FIG. 6 is a left side elevational view thereof; and,  
FIG. 7 is a right side elevational view thereof.  
The broken lines shown on the figures are for illustrative purposes only and are hereby disclaimed as forming no part of Applicant's claimed invention.

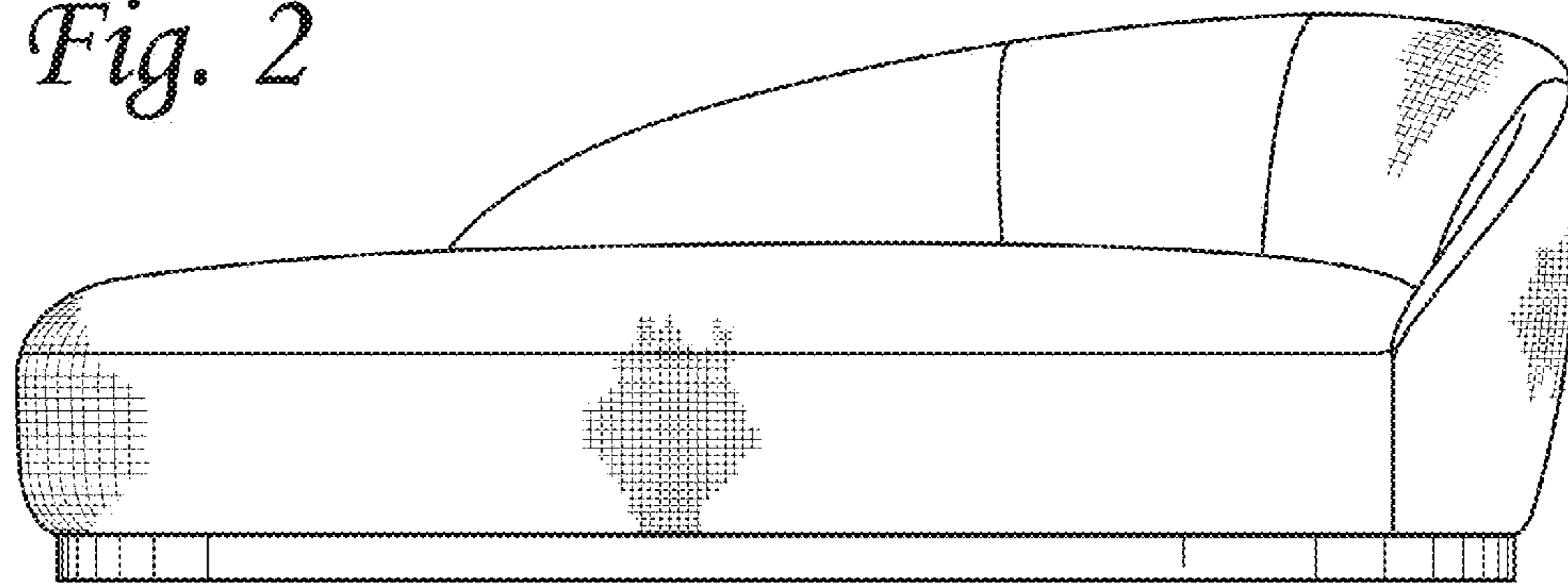
**1 Claim, 2 Drawing Sheets**



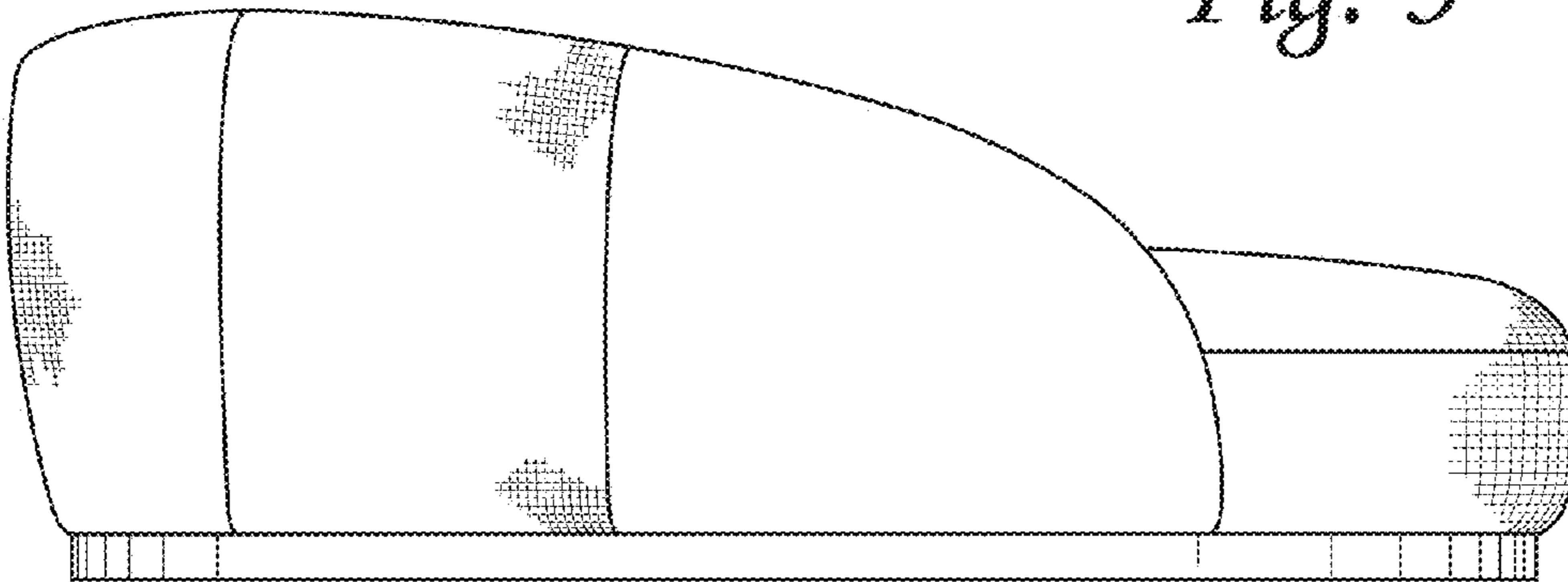
*Fig. 1*



*Fig. 2*



*Fig. 3*



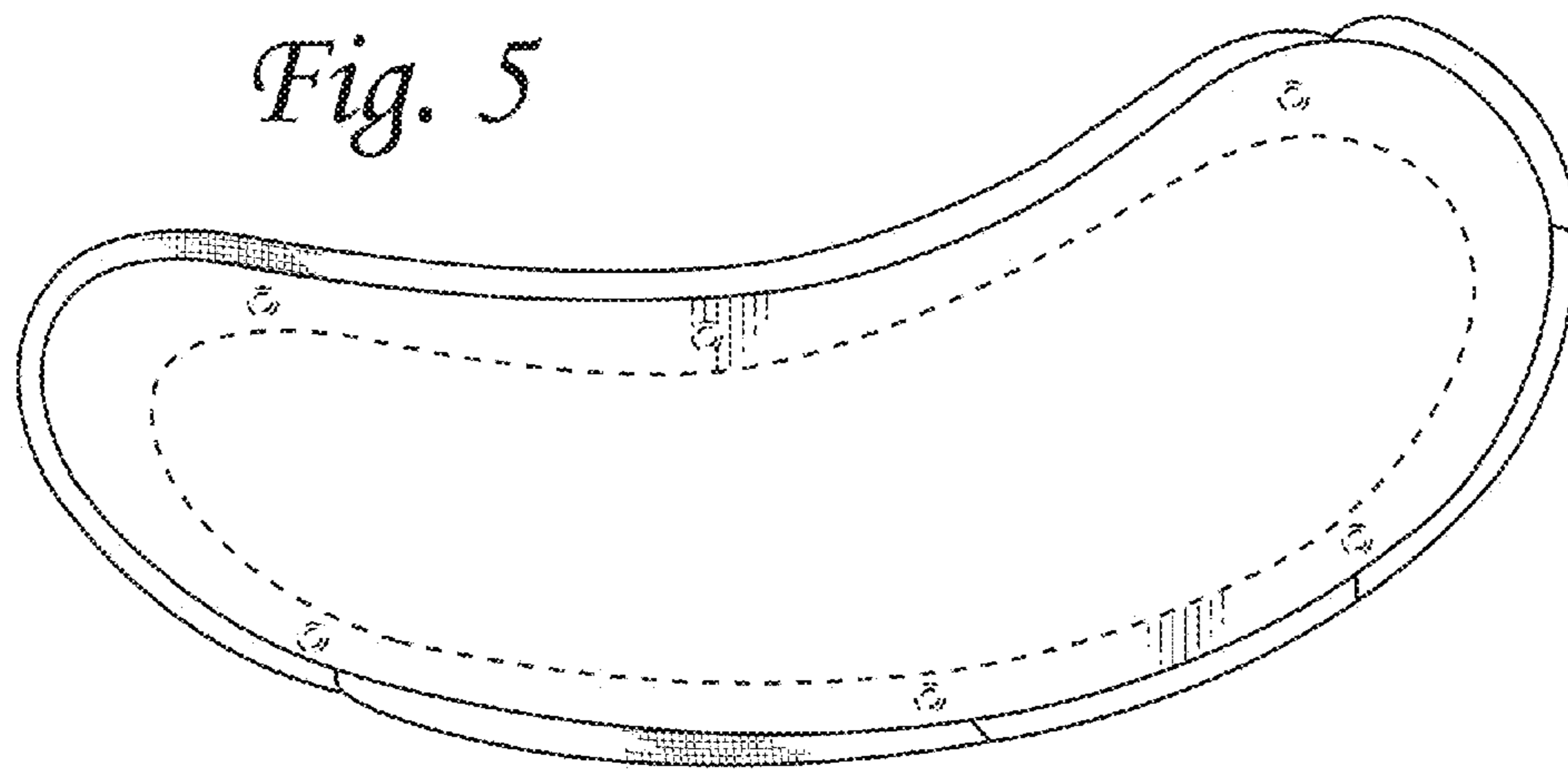
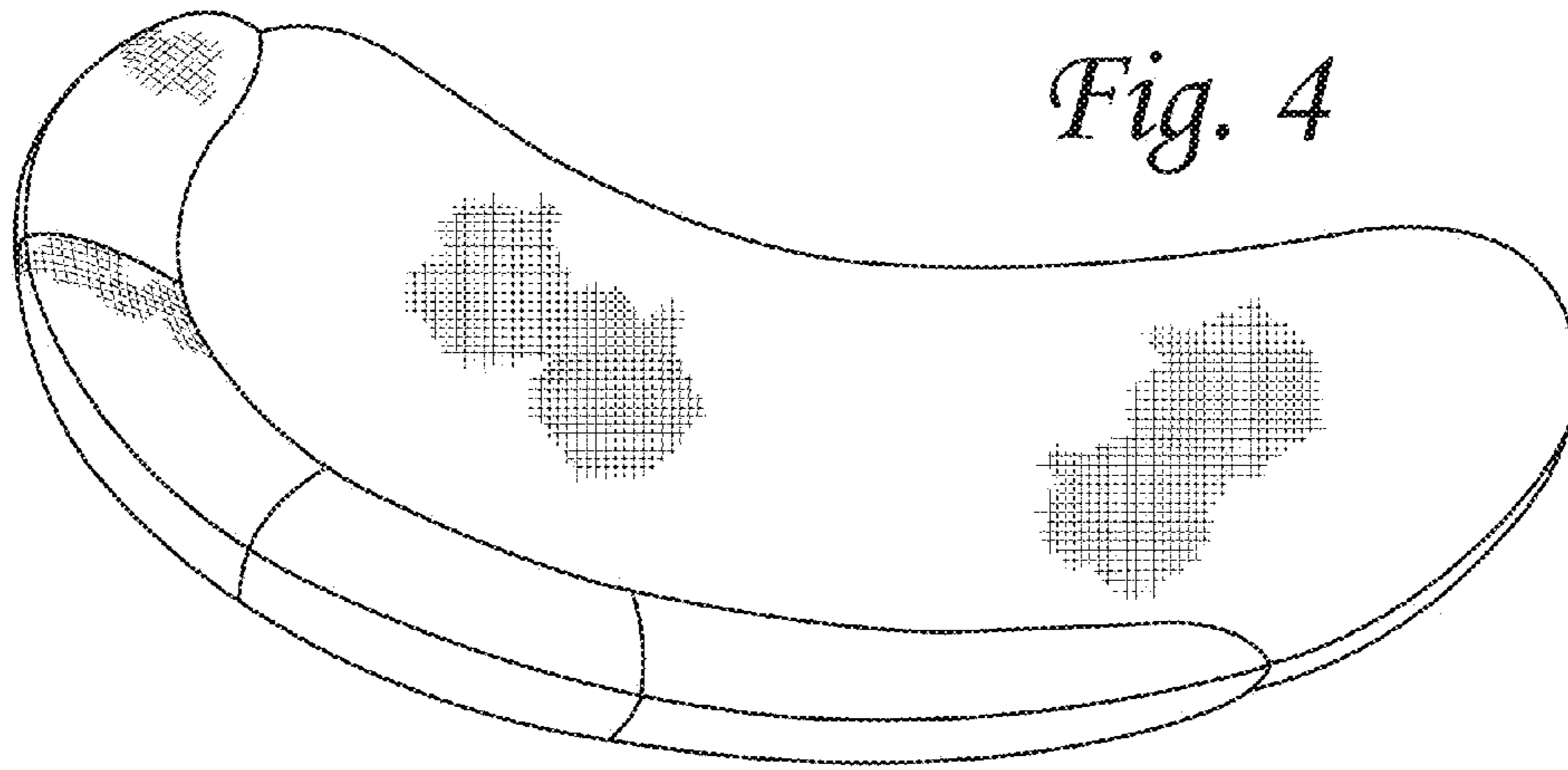


Fig. 6

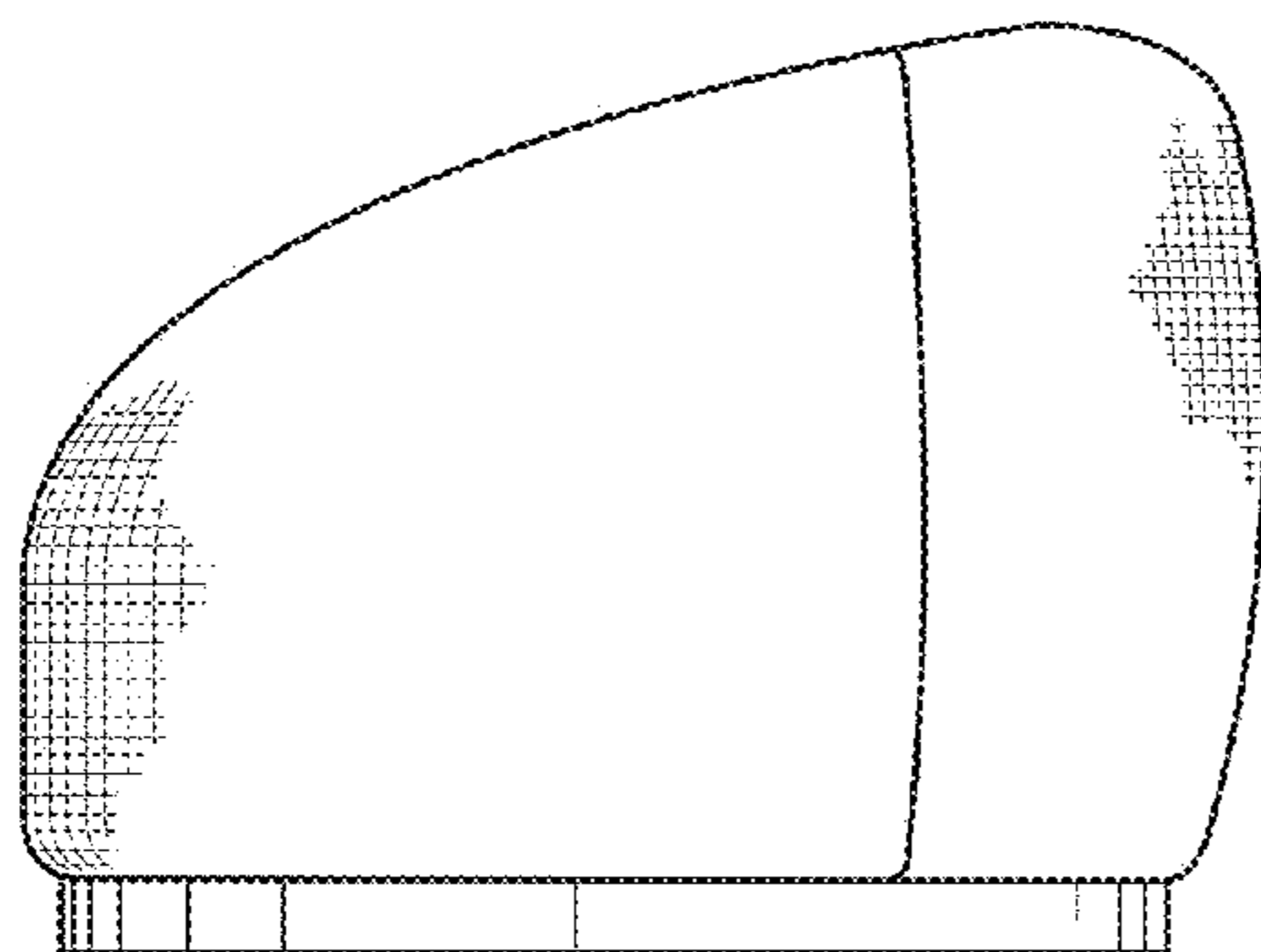


Fig. 7

