



US00D712172S

(12) **United States Design Patent**
Saylor

(10) **Patent No.:** **US D712,172 S**

(45) **Date of Patent:** **** Sep. 2, 2014**

(54) **CHAIR**

(71) Applicant: **The Saylor Companies, Inc.,**
Edgewater, MD (US)

(72) Inventor: **Bruce Allen Saylor,** Edgewater, MD
(US)

(73) Assignee: **The Saylor Companies, Inc.,**
Edgewater, MD (US)

(**) Term: **14 Years**

(21) Appl. No.: **29/489,190**

(22) Filed: **Apr. 28, 2014**

(51) **LOC (10) Cl.** **06-01**

(52) **U.S. Cl.**
USPC **D6/370**

(58) **Field of Classification Search**
CPC A47C 4/08; A47C 4/12; A47C 4/14;
A47C 4/16; A47C 1/026; A47C 4/02; A47C
4/03; A47C 7/16; A47C 7/22
USPC D6/334-336, 368, 370, 374, 379, 380,
D6/716, 716.1, 716.2, 716.3, 716.4;
297/31, 377, 411.43, 440.15, 445.1,
297/452.63

See application file for complete search history.

(56) **References Cited**

U.S. PATENT DOCUMENTS

1,855,130 A * 4/1932 Appleby A47C 4/16

1,919,820 A * 7/1933 Ashleman A47C 4/12
D109,239 S * 4/1938 Wolpin D6/370
2,222,296 A * 11/1940 Luiken A47C 4/16
D148,391 S * 1/1948 Plourde et al. D6/370
2,490,884 A * 12/1949 Rau A47C 4/03
2,650,652 A * 9/1953 Watson A47C 4/14
4,635,998 A * 1/1987 Hickey A47C 4/08
D295,927 S * 5/1988 Hickey D6/370
4,976,492 A * 12/1990 Ziegler A47C 4/14
6,003,946 A * 12/1999 Jackson A47C 1/026
D570,127 S * 6/2008 Spink D6/370

* cited by examiner

Primary Examiner — Mimosa De

(74) *Attorney, Agent, or Firm* — Laubscher & Laubscher,
P.C.

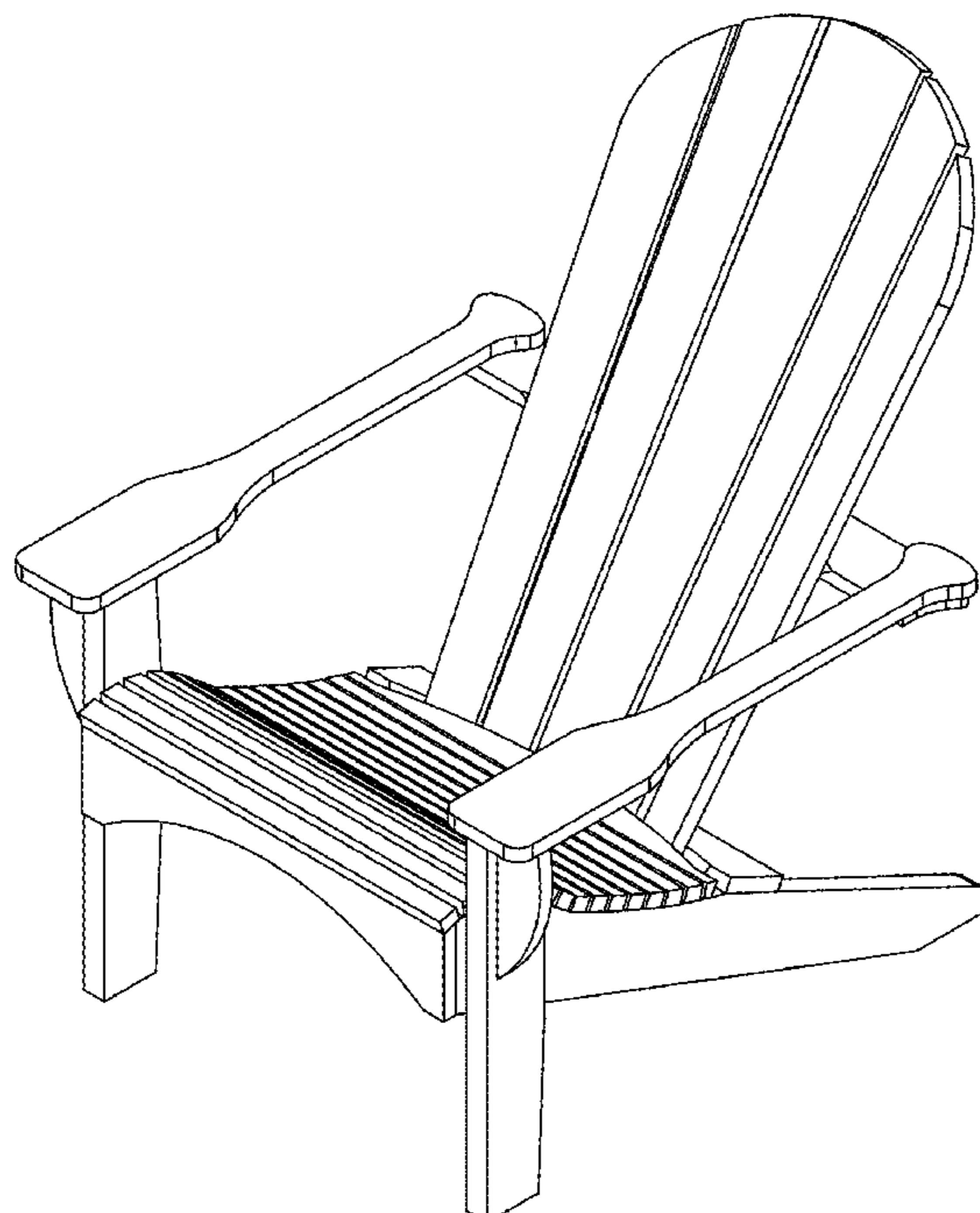
(57) **CLAIM**

The ornamental design for a chair, as shown and described.

DESCRIPTION

FIG. 1 is a front perspective view illustrating my design;
FIG. 2 is a front elevation view thereof;
FIG. 3 is a rear elevation view thereof;
FIG. 4 is a right side elevation view thereof;
FIG. 5 is a left side elevation view thereof;
FIG. 6 is a bottom elevation thereof; and,
FIG. 7 is a top elevation view thereof.

1 Claim, 7 Drawing Sheets



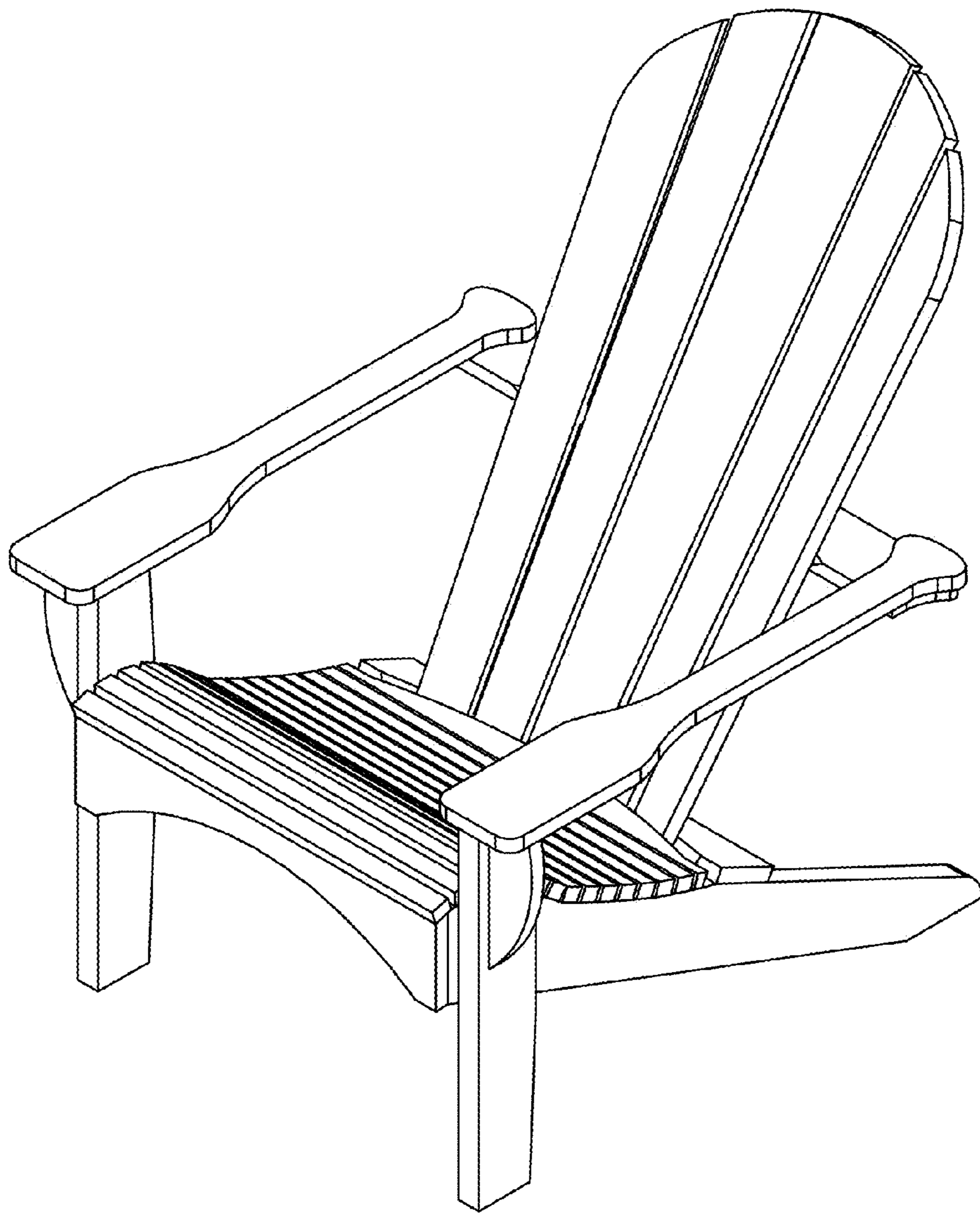


FIG. 1

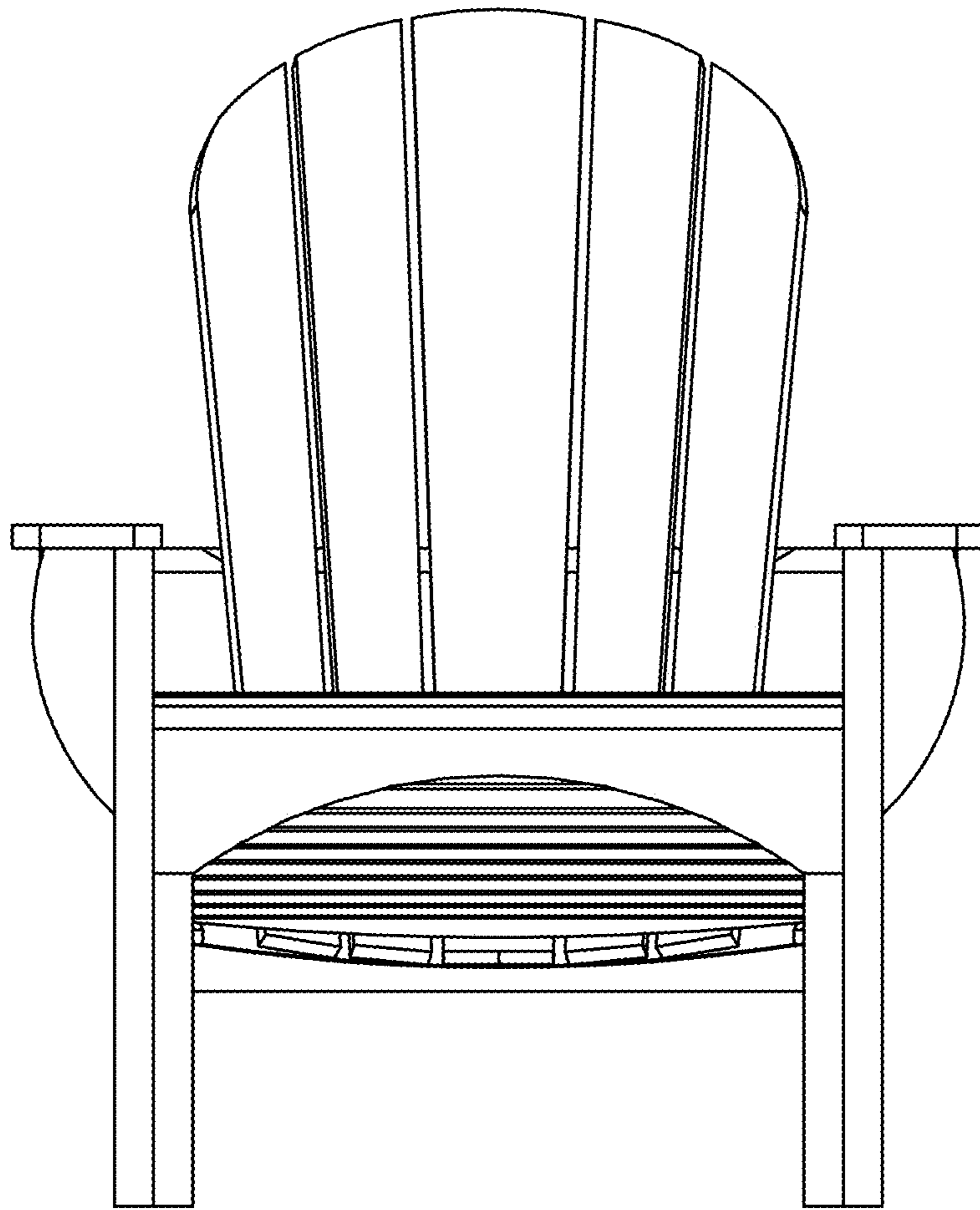


FIG. 2

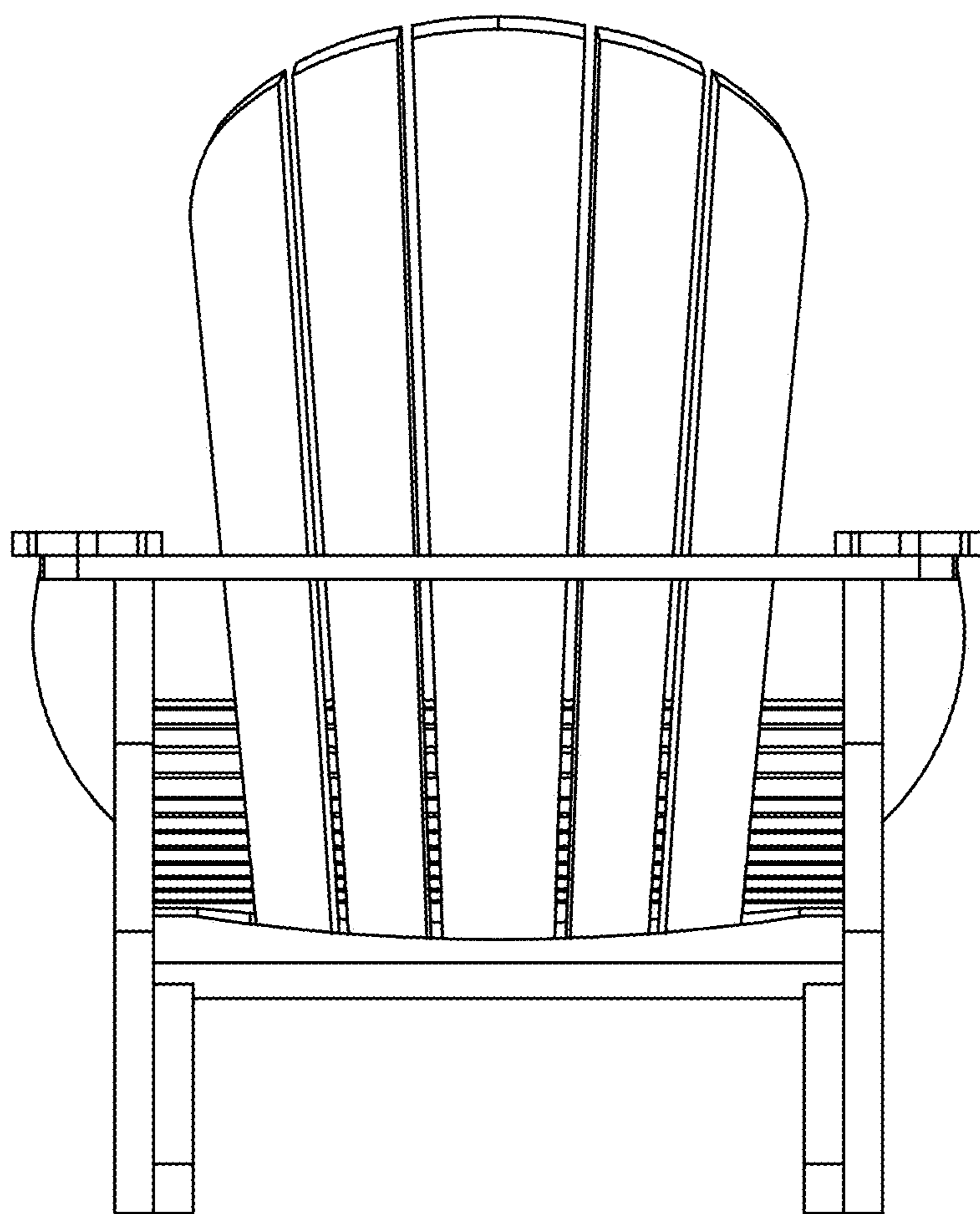


FIG. 3

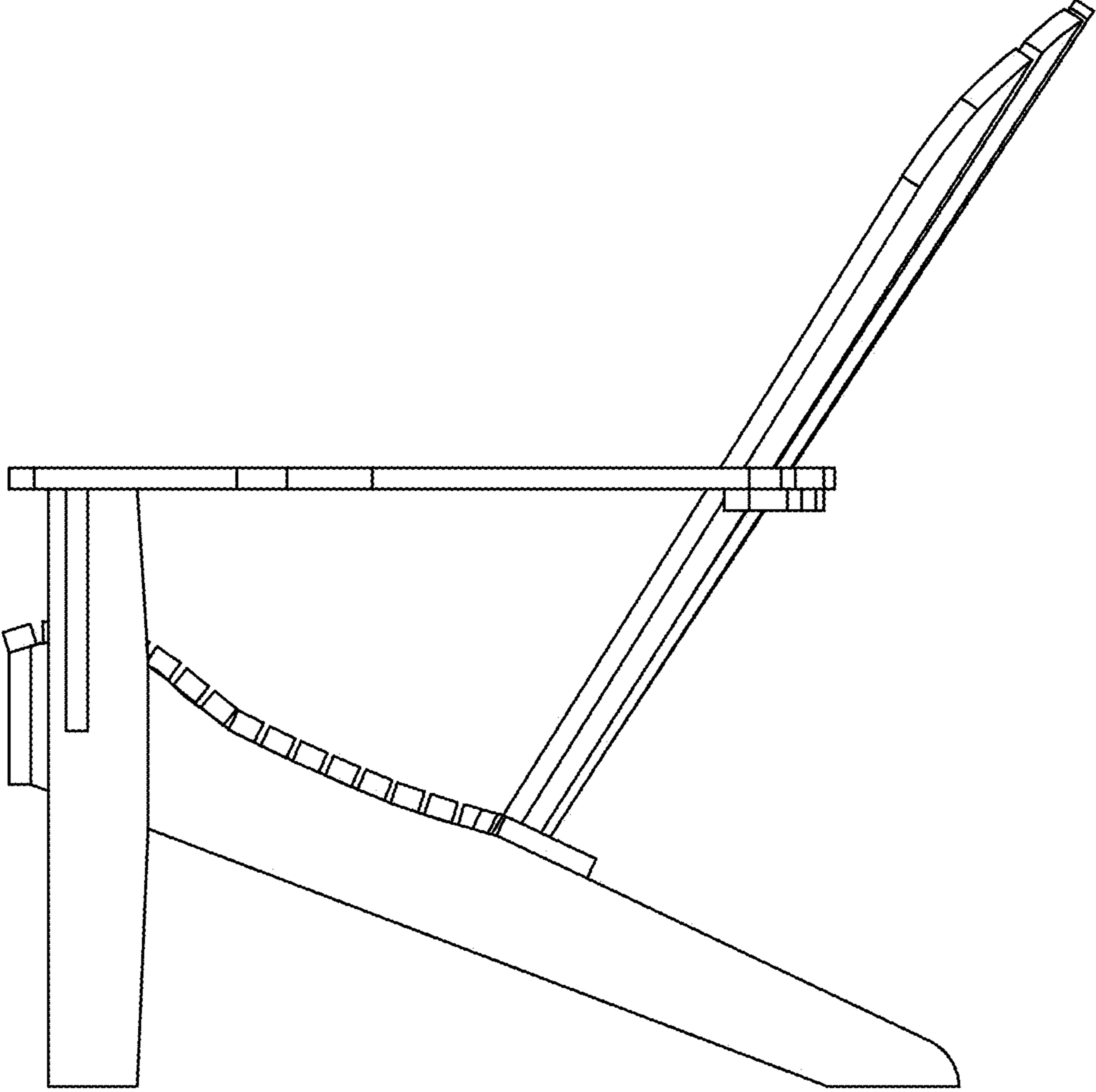


FIG. 4

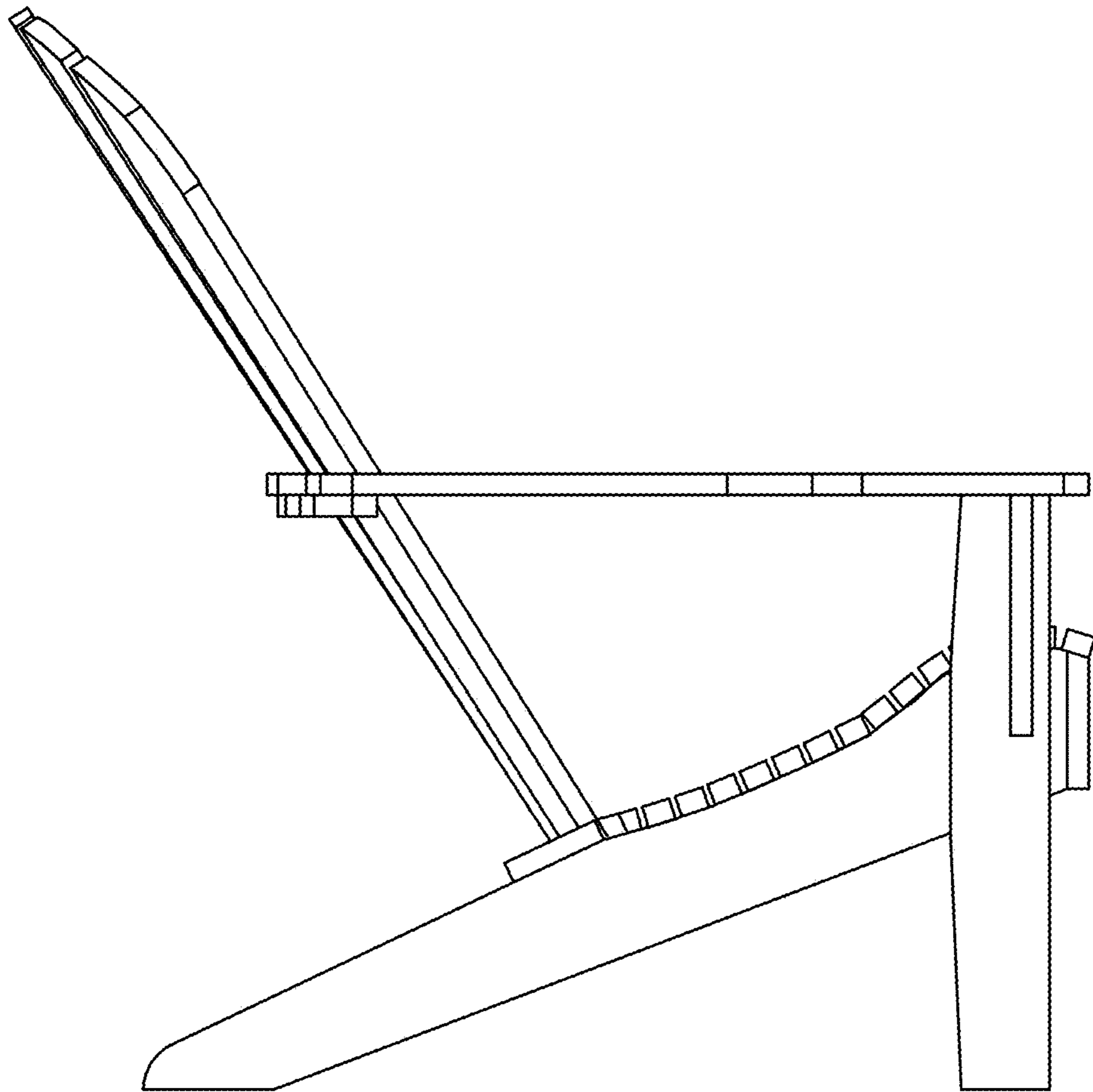


FIG. 5

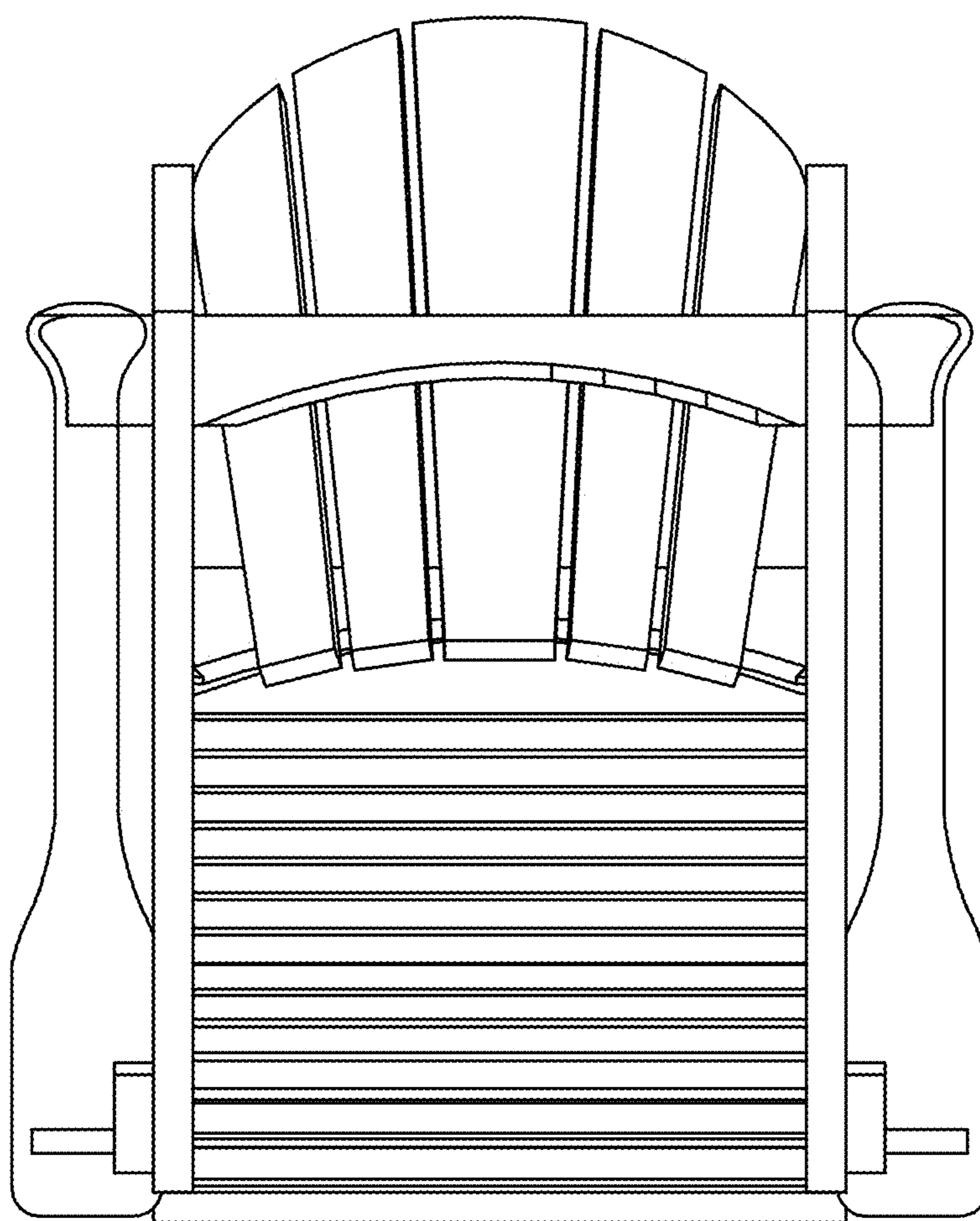


FIG. 6

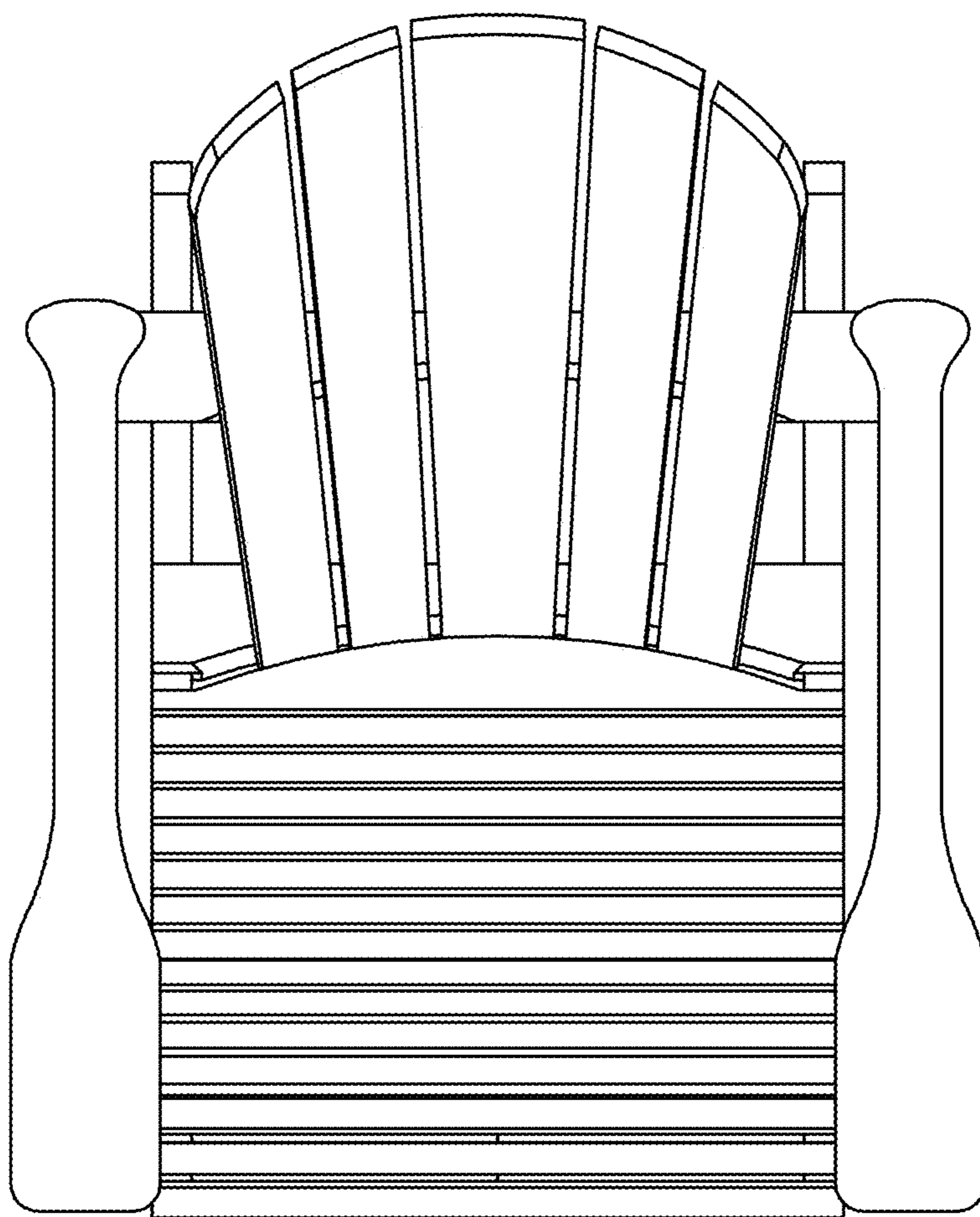


FIG. 7