



US00D712169S

(12) **United States Design Patent**
Revoir

(10) **Patent No.:** **US D712,169 S**

(45) **Date of Patent:** **** Sep. 2, 2014**

(54) **BENCH**

(71) Applicant: **Landscape Forms, Inc.**, Kalamazoo, MI (US)

(72) Inventor: **Brian Paul Revoir**, Vicksburg, MI (US)

(73) Assignee: **Landscape Forms, Inc.**, Kalamazoo, MI (US)

(**) Term: **14 Years**

(21) Appl. No.: **29/454,683**

(22) Filed: **May 13, 2013**

(51) **LOC (10) Cl.** **06-01**

(52) **U.S. Cl.**
USPC **D6/349; D6/370**

(58) **Field of Classification Search**
CPC A47C 1/14; A47C 3/16-3/20; A47C 4/00;
A47C 4/28; A47C 5/02; A47C 7/02; A47C
9/00; A47C 9/02; A47C 9/002; A47C 9/007;
A47C 9/025; A47C 11/00; A47C 12/00;
A47C 13/00; A47C 16/02
USPC D6/335, 340, 344, 347, 349-355, 358,
D6/360, 363-373, 381, 685, 687, 688, 690,
D6/691-691.6, 692, 692.4, 694, 703.15,
D6/708.21, 708.22, 709.22, 716-716.7,
D6/717

See application file for complete search history.

(56) **References Cited**

U.S. PATENT DOCUMENTS

D101,273 S *	9/1936	Ferguson	D6/370
D229,591 S *	12/1973	Trail et al.	D6/370
D349,610 S *	8/1994	Scott et al.	D6/336
D366,775 S *	2/1996	Kane	D6/370
D428,717 S *	8/2000	Solowiej	D6/349
D518,301 S *	4/2006	Ng et al.	D6/335
D578,784 S *	10/2008	Balsley	D6/355

D579,694 S *	11/2008	Skalka	D6/492
D582,169 S *	12/2008	Skalka	D6/355
D583,577 S *	12/2008	Wicha	D6/349
7,673,420 B2 *	3/2010	Madesh	52/34
D624,328 S *	9/2010	Grandin et al.	D6/381
D664,787 S *	8/2012	Allsbrook	D6/381
D699,457 S *	2/2014	Bosman	D6/349

OTHER PUBLICATIONS

Parallel 42. [online] Retrieved Jun. 10, 2014 from URL: <http://www.landscapeforms.com/en-US/LFIBrochures/LF_Parallel-42_Brochure.pdf>.*

Sebastopol Tables, manufactured by Coalesse, designed by Emilia Borgthorsdottir, printout available online Dec. 20, 2012 at: http://www.coalesse.com/products/sebastopol-table, 1 page.

Custom Velvet Benches, manufactured by Egg Collective, image found on Dec. 20, 2012 in Interior Design Magazine, Nov. 2012, 1 page.

* cited by examiner

Primary Examiner — Susan Bennett Hattan

Assistant Examiner — Vy Koenig

(74) *Attorney, Agent, or Firm* — Heslin Rothenberg Farley & Mesiti P.C.

(57) **CLAIM**

The ornamental design for a bench, as shown and described.

DESCRIPTION

FIG. 1 is a perspective view of the bench of the present invention;

FIG. 2 is a right side elevation view thereof;

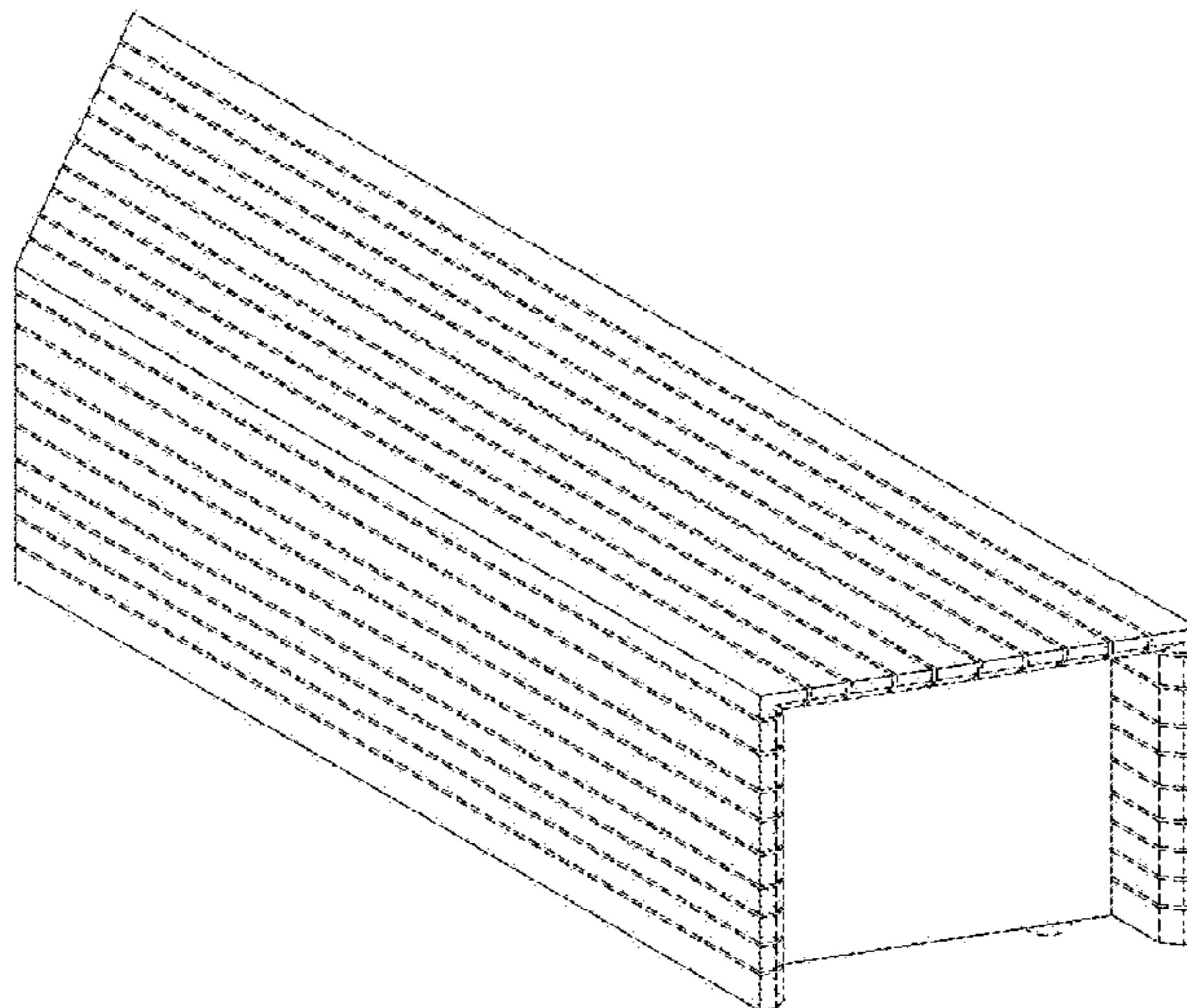
FIG. 3 is a left side elevation view thereof;

FIG. 4 is a front elevation view thereof, the rear elevation view being a mirror image thereof; and,

FIG. 5 is a top plan view thereof.

The broken lines shown in the drawings depict environmental features that form no part of the claimed design.

1 Claim, 5 Drawing Sheets



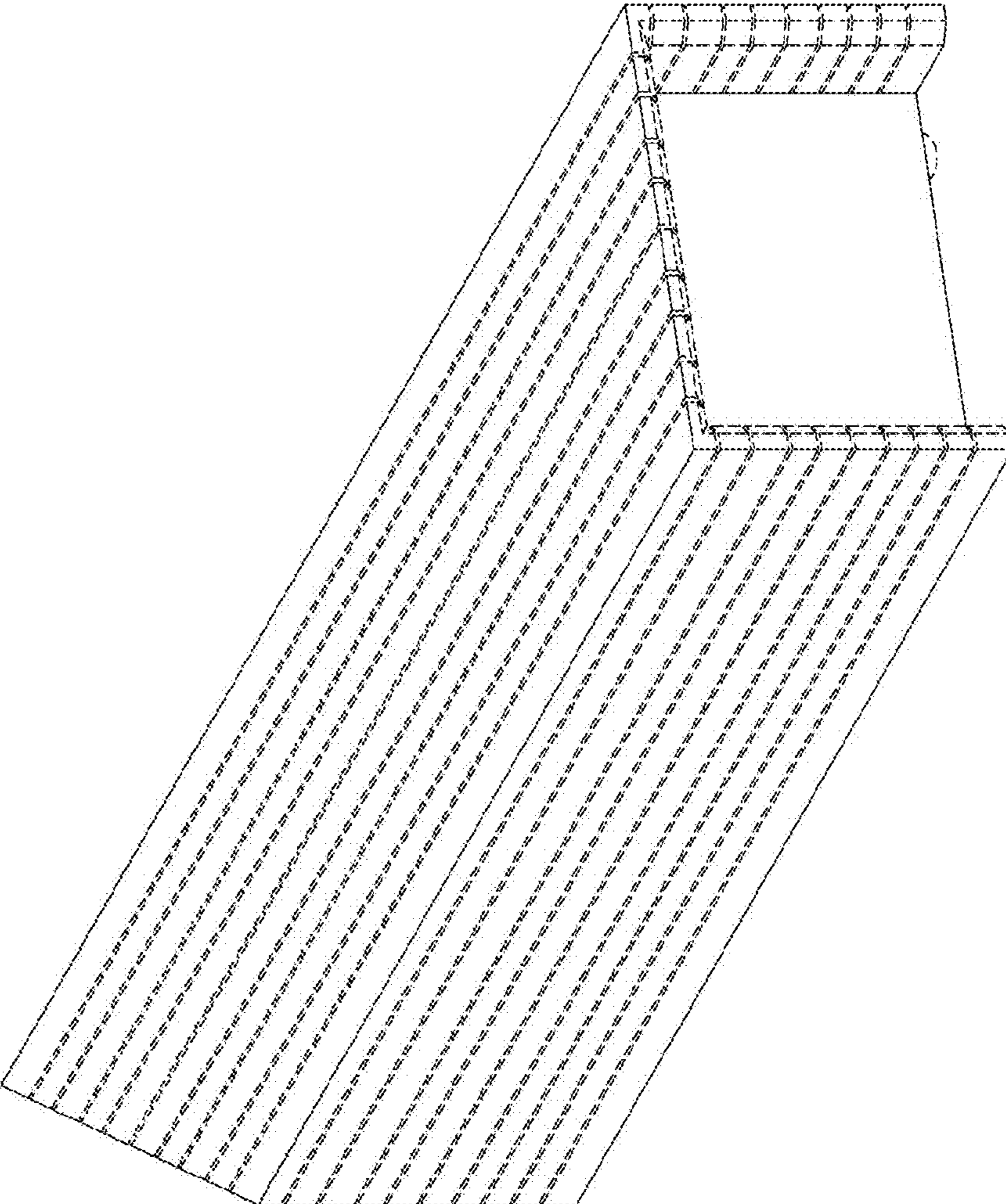


FIGURE 1

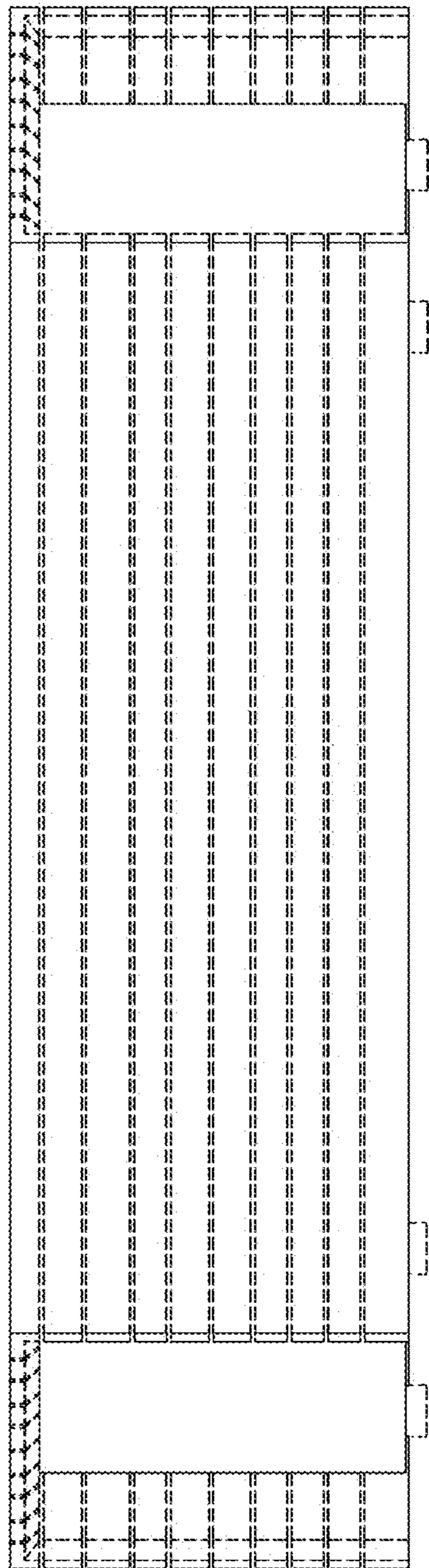


FIGURE 2

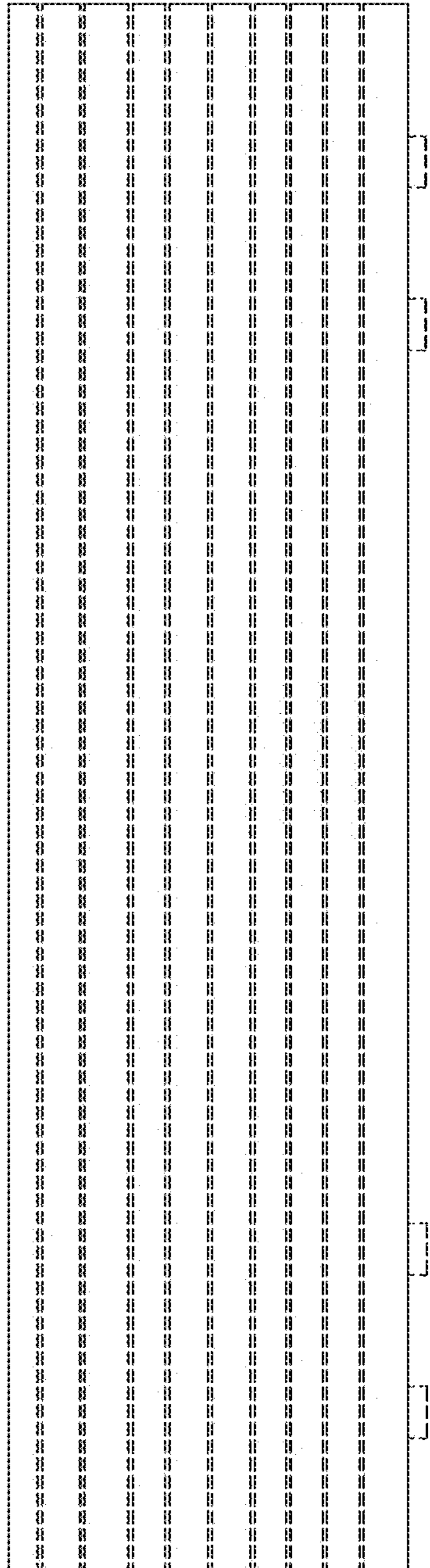


FIGURE 3

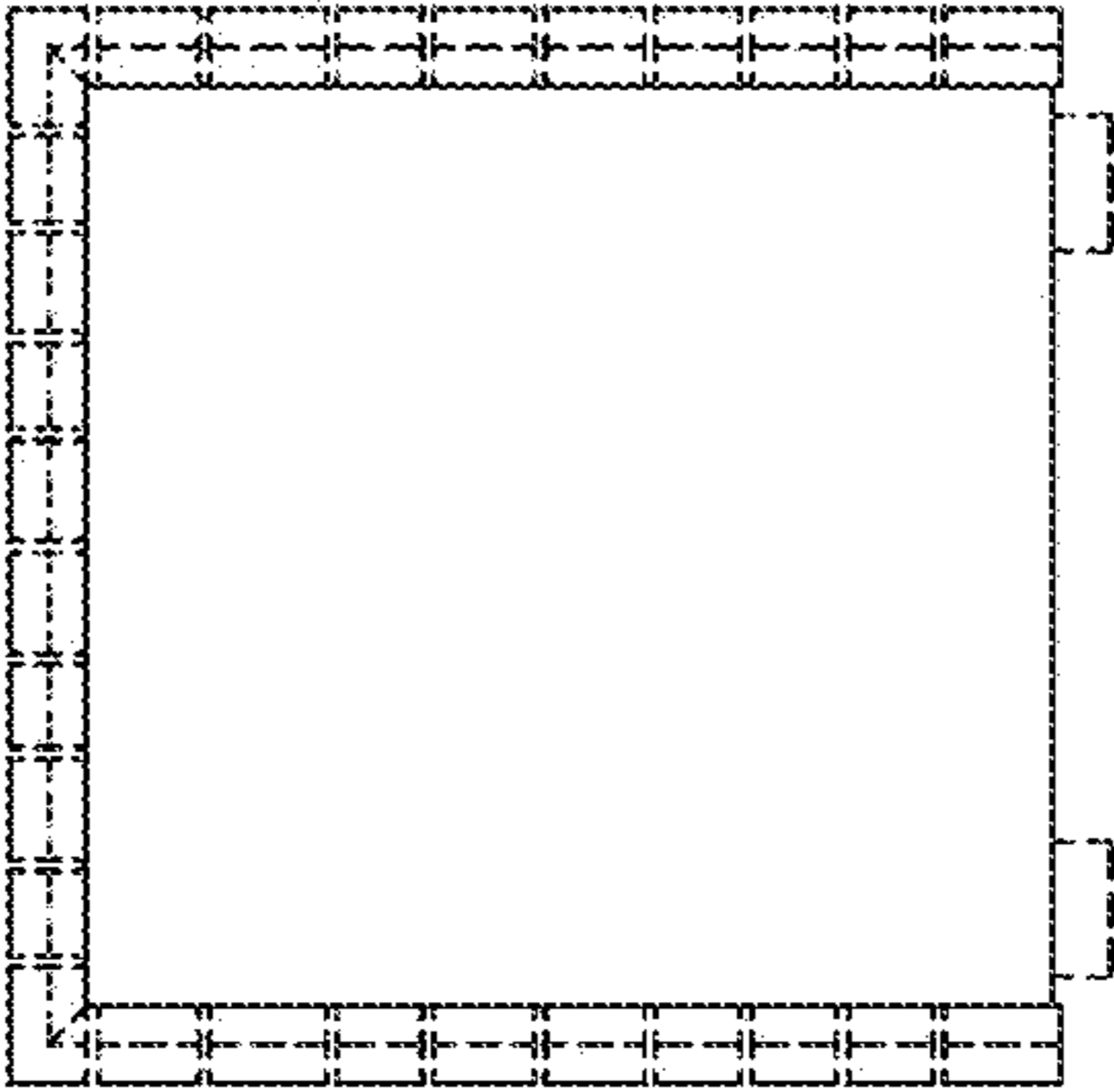


FIGURE 4

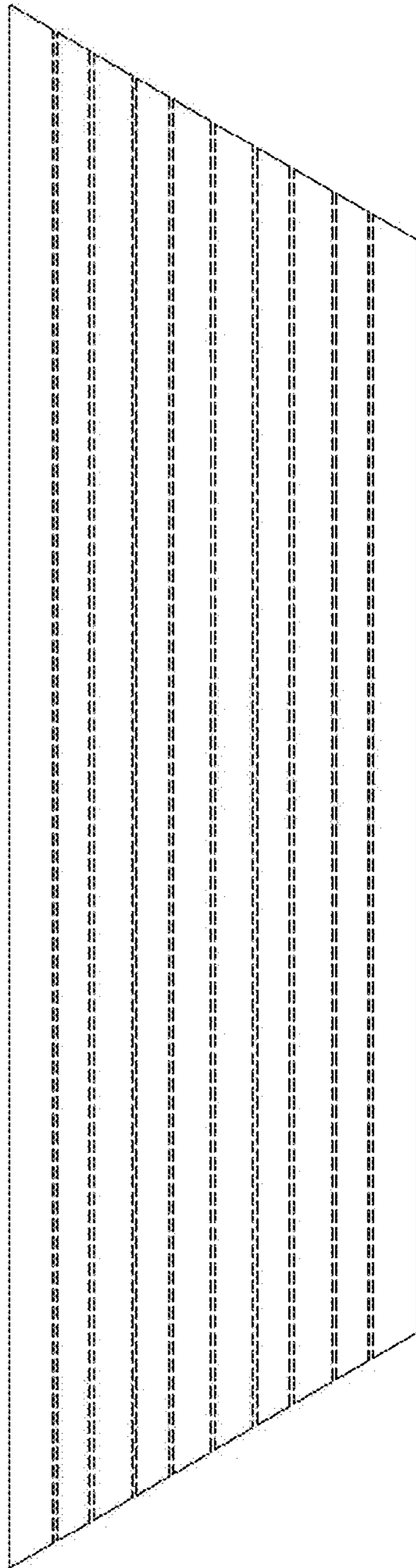


FIGURE 5