



US00D712158S

(12) **United States Design Patent**  
**Messick, Jr.**

(10) **Patent No.:** **US D712,158 S**  
(45) **Date of Patent:** **\*\* Sep. 2, 2014**

- (54) **MESH PANEL**
- (71) Applicant: **Cambridge International Inc.**,  
Cambridge, MD (US)
- (72) Inventor: **George H. Messick, Jr.**, Cambridge,  
MD (US)
- (73) Assignee: **Cambridge International Inc.**,  
Cambridge, MD (US)
- (\*\*) Term: **14 Years**
- (21) Appl. No.: **29/467,255**
- (22) Filed: **Sep. 17, 2013**
- (51) **LOC (10) Cl.** ..... **05-05**
- (52) **U.S. Cl.**  
USPC ..... **D5/2**
- (58) **Field of Classification Search**  
CPC ..... B65G 15/30; B65G 15/54; B65G 17/06;  
B65G 17/08; B65G 2812/02386  
USPC ..... D5/1-3, 11, 21, 30, 43, 44, 46, 53,  
D5/56-63, 99; D6/585, 612, 613, 622,  
D6/617; D19/1, 5; D25/138; 2/900;  
15/208; 28/143, 150, 160, 163;  
112/401, 416, 439; 428/32, 66.5, 85,  
428/91, 151, 152, 187, 542.6; 442/408  
See application file for complete search history.

- (56) **References Cited**  
U.S. PATENT DOCUMENTS
- |           |     |         |                  |           |
|-----------|-----|---------|------------------|-----------|
| 551,644   | A * | 12/1895 | McPherson        | 15/239    |
| 1,354,553 | A * | 10/1920 | Harter           | 198/690.2 |
| 1,772,423 | A * | 8/1930  | Hurxthal         | 198/853   |
| 2,025,620 | A   | 12/1935 | Sneesby          |           |
| 2,619,306 | A * | 11/1952 | Van Lake         | 245/9     |
| 2,826,383 | A   | 3/1958  | Spencer, Jr.     |           |
| 2,862,602 | A   | 12/1958 | Greer et al.     |           |
| 3,439,795 | A   | 4/1969  | Roinestad et al. |           |

RE27,690	E	7/1973	Roinestad et al.	
4,078,655	A *	3/1978	Roinestad	198/848
4,754,871	A	7/1988	Gustafson	
4,972,942	A *	11/1990	Faulkner	198/853
D319,328	S	8/1991	Faulkner	
5,501,319	A	3/1996	Larson et al.	
5,934,448	A	8/1999	Kucharski et al.	
5,954,187	A *	9/1999	Hager	198/778
6,202,833	B1	3/2001	Greer	
6,325,205	B1 *	12/2001	Heyde	198/835
6,354,432	B1	3/2002	Maine, Jr. et al.	
6,371,284	B1 *	4/2002	Pasch	198/848
7,246,698	B2	7/2007	Farrell	
7,441,649	B2 *	10/2008	Layne et al.	198/852
7,494,005	B2	2/2009	Messick, Jr. et al.	
7,721,877	B2	5/2010	Maine, Jr. et al.	
7,975,840	B2	7/2011	Messick, Jr. et al.	
8,544,638	B2 *	10/2013	Meulenkaamp et al.	198/853
D695,985	S	12/2013	Messick, Jr. et al.	

(Continued)

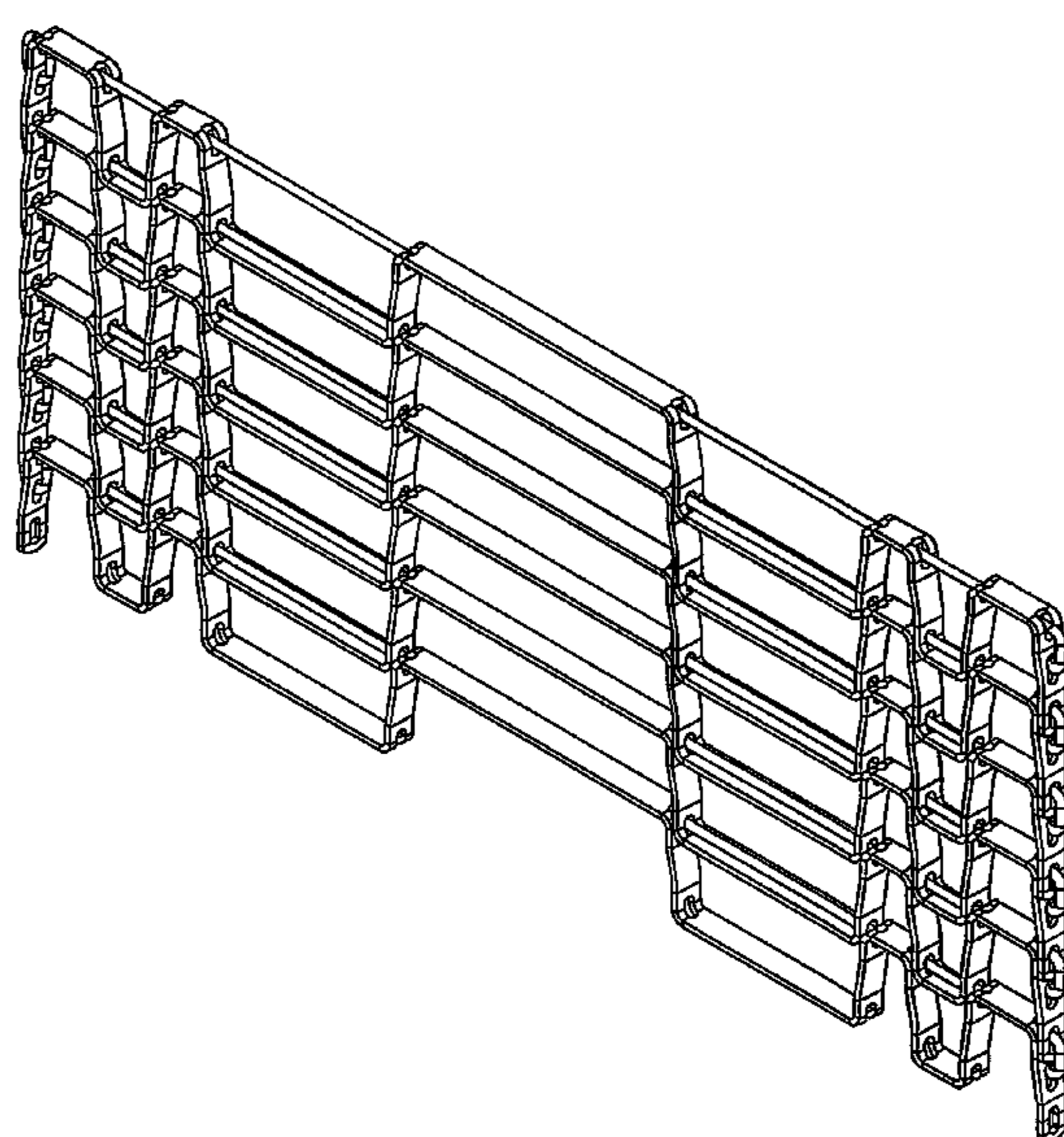
*Primary Examiner* — Karen S Acker  
(74) *Attorney, Agent, or Firm* — Buchanan Ingersoll & Rooney PC

(57) **CLAIM**  
The ornamental design for a mesh panel, as shown and described.

**DESCRIPTION**

FIG. 1 is a perspective view of a mesh panel illustrating my new design.  
FIG. 2 is a front elevational view thereof, the rear view being a mirror image.  
FIG. 3 is a top plan view thereof.  
FIG. 4 is a side elevational view thereof, the other side being a mirror image; and,  
FIG. 5 is an enlarged detail of area 5 circumscribed on FIG. 2. The broken lines surrounding the detail areas in FIGS. 2 and 5 are for illustrative purposes and form no part of the claimed design.

**1 Claim, 3 Drawing Sheets**



(56)

**References Cited**

U.S. PATENT DOCUMENTS

2002/0092737	A1 *	7/2002	Messick, Jr. ....	198/850	2009/0078544	A1 *	3/2009	Messick et al. ....	198/834
2006/0249359	A1	11/2006	Pasch		2009/0145732	A1 *	6/2009	Maine et al. ....	198/853
2007/0080048	A1 *	4/2007	Messick et al. ....	198/852	2010/0269699	A1	10/2010	Jones	
2009/0071668	A1	3/2009	Hennigar		2013/0092513	A1	4/2013	Record et al.	
					2013/0118867	A1	5/2013	Salsone et al.	

\* cited by examiner

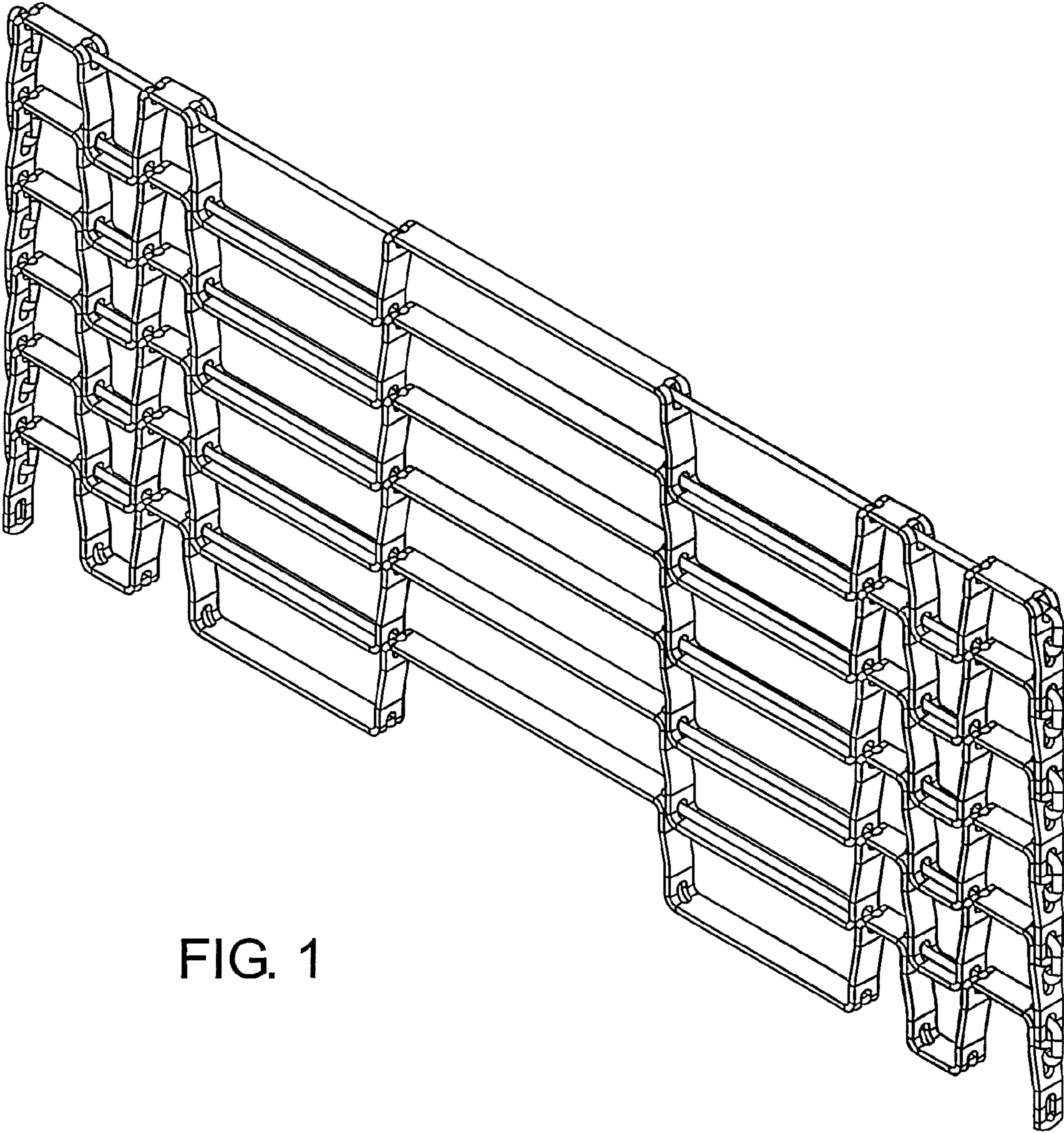


FIG. 1





FIG. 3

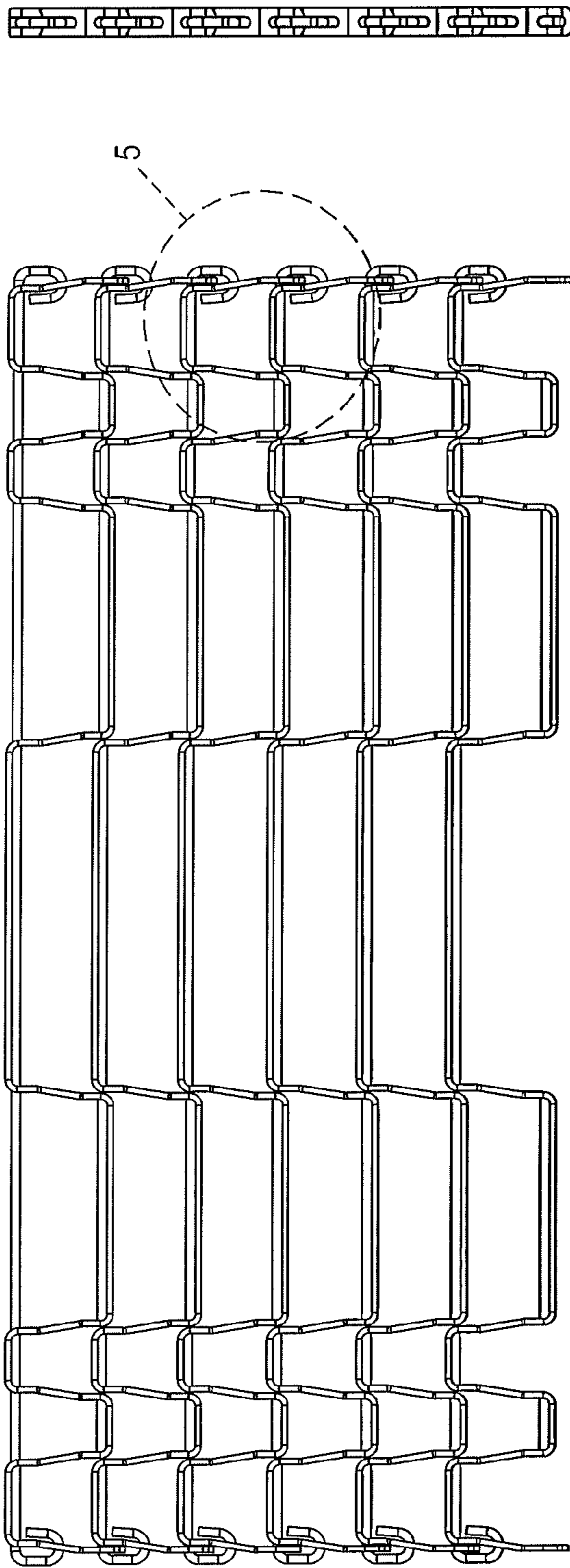


FIG. 2

FIG. 4

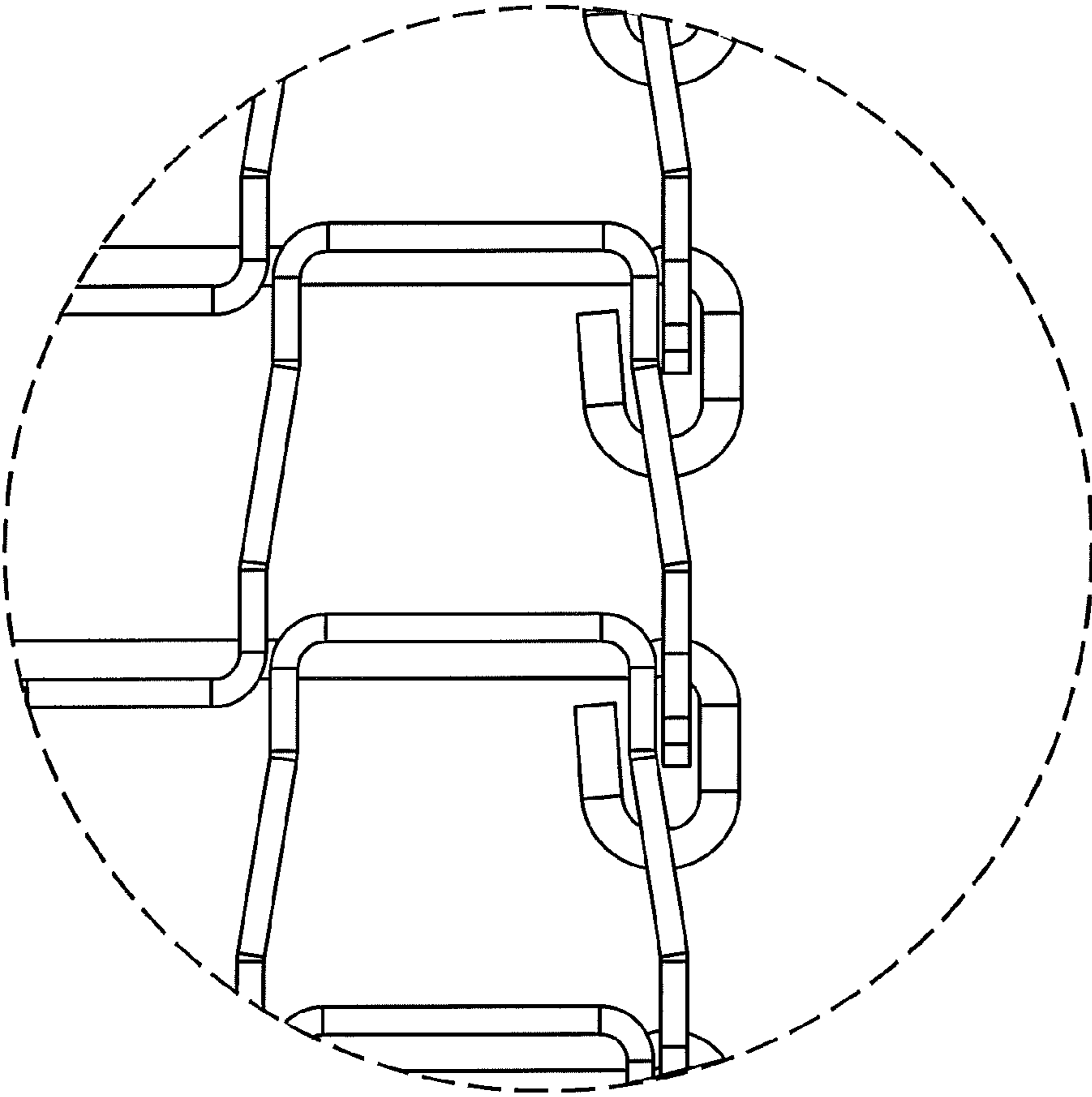


FIG. 5