



US00D712156S

(12) **United States Design Patent**
Arvinte et al.

(10) **Patent No.:** **US D712,156 S**
(45) **Date of Patent:** **** Sep. 2, 2014**

(54) **PLUG FOR PAINT ROLLER COVER**

(75) Inventors: **Roméo Arvinte**, Laval-des-Rapides (CA); **François Panfili**, Berthierville (CA)

(73) Assignees: **A. Richard Tools Co.**, Berthierville, Quebec (CA); **Outils A. Richard Co.**, Berthierville, Quebec (CA)

(**) Term: **14 Years**

(21) Appl. No.: **29/405,351**

(22) Filed: **Nov. 1, 2011**

(30) **Foreign Application Priority Data**

May 6, 2011 (CA) 140497

(51) **LOC (10) Cl.** **14-01**

(52) **U.S. Cl.**
USPC **D4/122**

(58) **Field of Classification Search**
USPC D4/122, 138; 15/27, 104.001, 104.002, 15/230.11; 492/13, 16-19
See application file for complete search history.

(56) **References Cited**

U.S. PATENT DOCUMENTS

2,699,903	A	1/1955	Montgomery	
4,154,545	A *	5/1979	Pinto et al.	403/104
4,198,723	A *	4/1980	Hiller et al.	15/230.11
D261,357	S *	10/1981	Doonan	D8/499
4,809,722	A *	3/1989	Pennise	134/138
4,867,391	A *	9/1989	Resch	242/118.5
5,112,156	A *	5/1992	Boyer	403/287
5,261,920	A *	11/1993	Main et al.	606/153
5,269,039	A	12/1993	Isaac	
5,351,720	A *	10/1994	Maimets	138/98
5,460,458	A *	10/1995	Caceres	403/109.5
5,784,798	A	7/1998	Taylor	
6,206,078	B1 *	3/2001	Frey, Jr.	160/302

6,241,181	B1 *	6/2001	Campbell	242/578
6,877,925	B2 *	4/2005	Fernandez	401/197
D517,900	S *	3/2006	Goldenberg et al.	D8/354
7,028,365	B2	4/2006	Martin et al.	
7,120,963	B2	10/2006	Kim	
D557,409	S *	12/2007	Veliss et al.	D24/110.1
7,819,357	B2 *	10/2010	Fox et al.	242/573.9
7,845,363	B2 *	12/2010	Dominey	134/198

(Continued)

FOREIGN PATENT DOCUMENTS

JP 2002-301421 A 10/2002

Primary Examiner — Austin Murphy

(74) *Attorney, Agent, or Firm* — Merchant & Gould P.C.

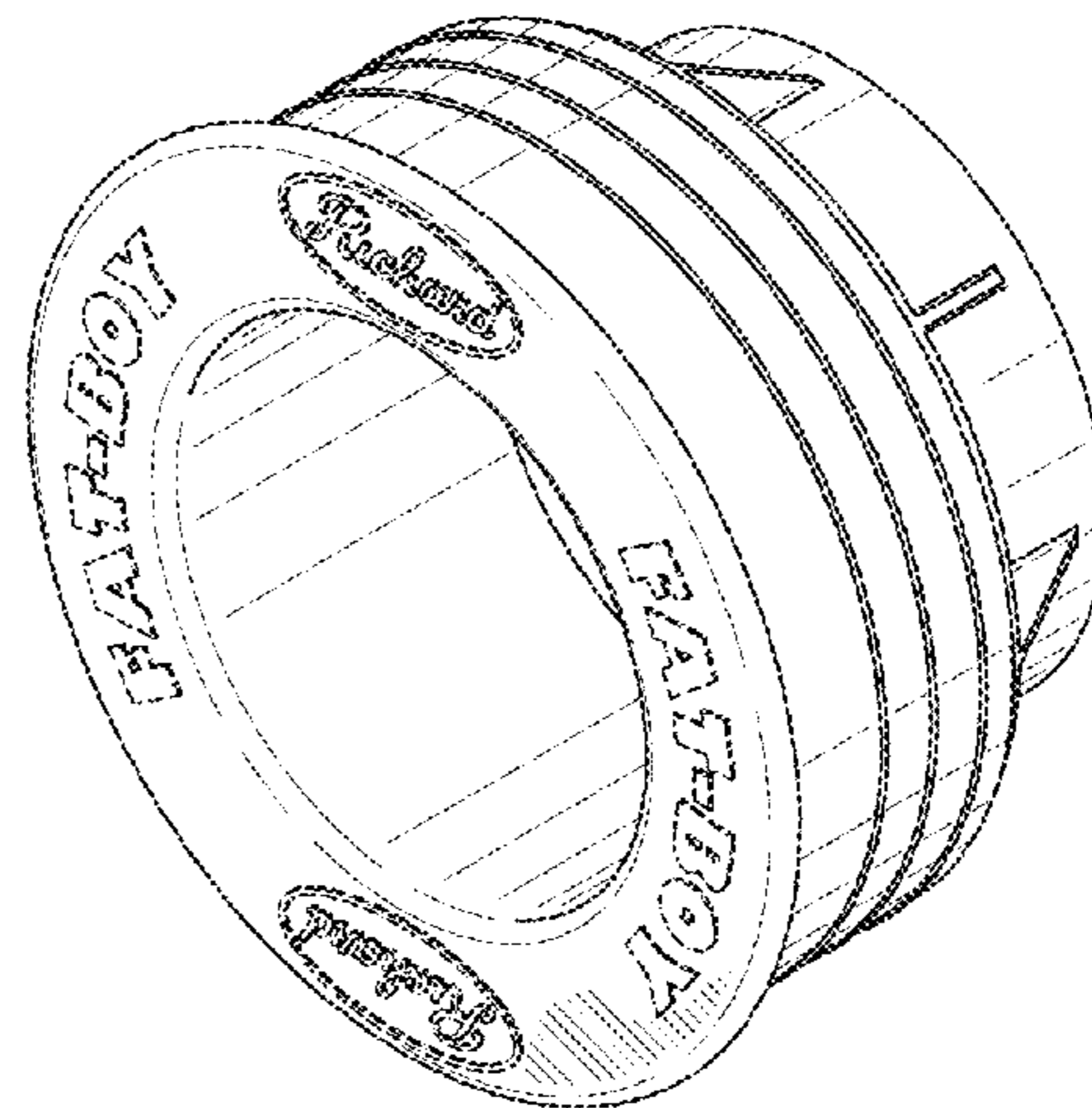
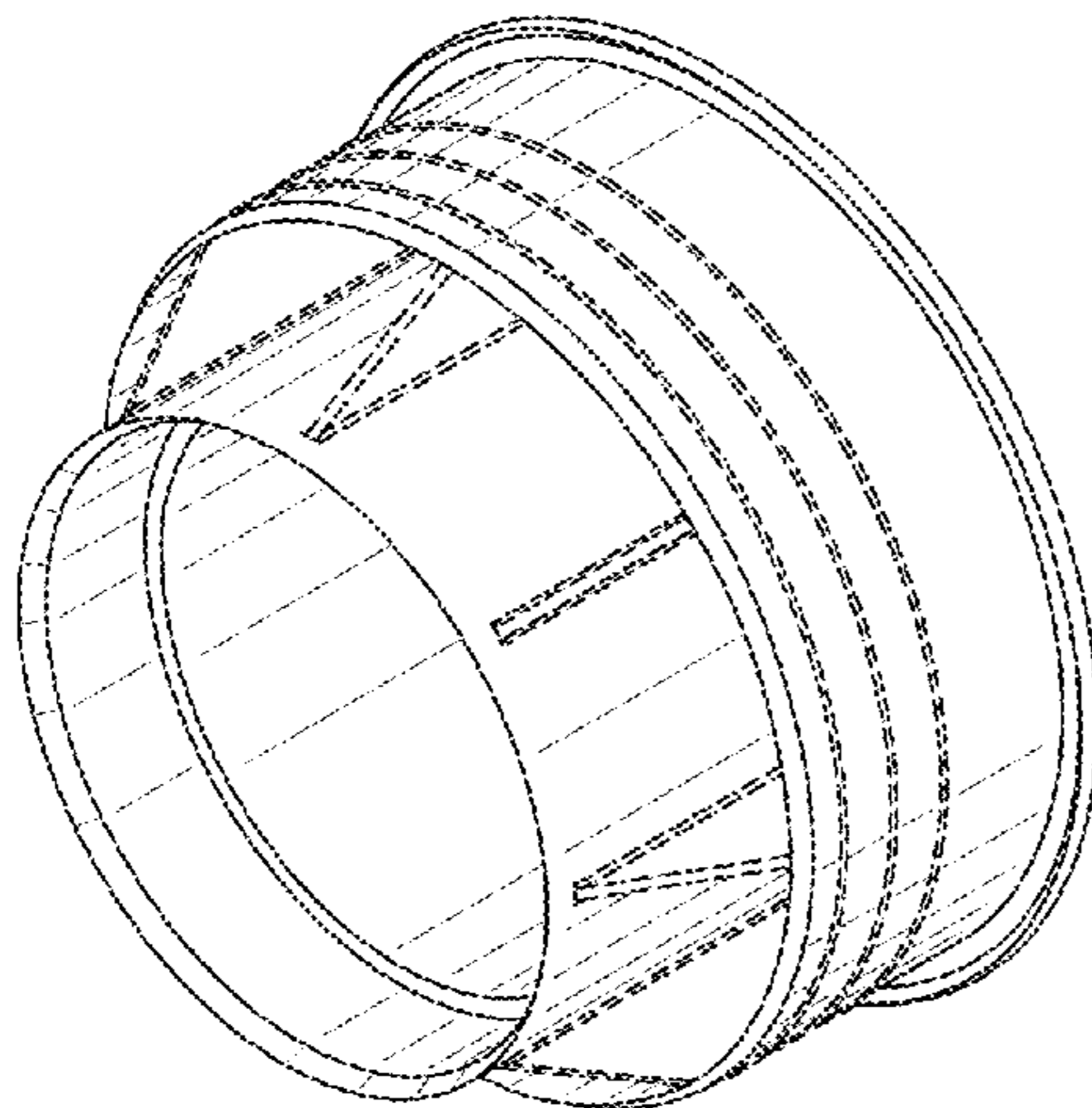
(57) **CLAIM**

The ornamental design for a plug for paint roller cover, as shown and described.

DESCRIPTION

FIG. 1 is a front perspective view of a plug for paint roller cover showing our new design.
 FIG. 2 is a rear perspective view thereof.
 FIG. 3 is a front plan view thereof.
 FIG. 4 is a rear plan view thereof.
 FIG. 5 is a left side elevational view thereof.
 FIG. 6 is a right side elevational view thereof.
 FIG. 7 is a top plan view thereof.
 FIG. 8 is a bottom plan view thereof.
 FIG. 9 is another front perspective view thereof, the article being now shown lodged within a paint roller cover.
 FIG. 10 is a front perspective view of a second embodiment of a plug for paint roller cover showing our new design.
 FIG. 11 is a rear perspective view thereof; and,
 FIG. 12 is another front perspective view thereof, the article being now shown lodged inside a paint roller cover.
 The broken lines are for the purpose of illustrating environmental structure and form no part of the design.

1 Claim, 7 Drawing Sheets



US D712,156 S

Page 2

(56)

References Cited

U.S. PATENT DOCUMENTS

			2006/0196990 A1	9/2006	Wallace
			2010/0218719 A1	9/2010	Belley
			2011/0101152 A1	5/2011	Molstad
D677,902 S	*	3/2013	Wang	D4/122
D699,948 S	*	2/2014	Byrne	D4/122

* cited by examiner

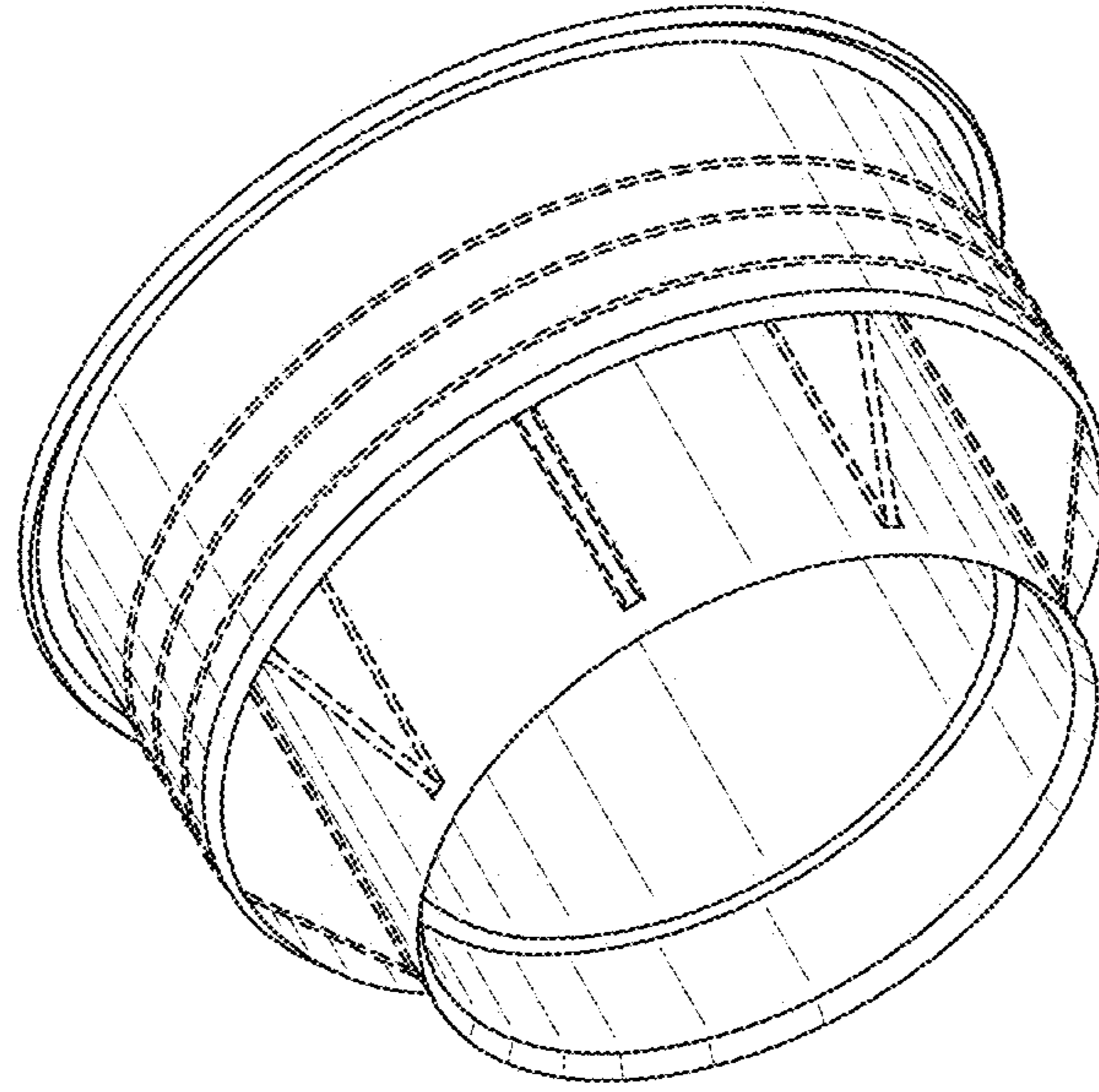


FIG. 2

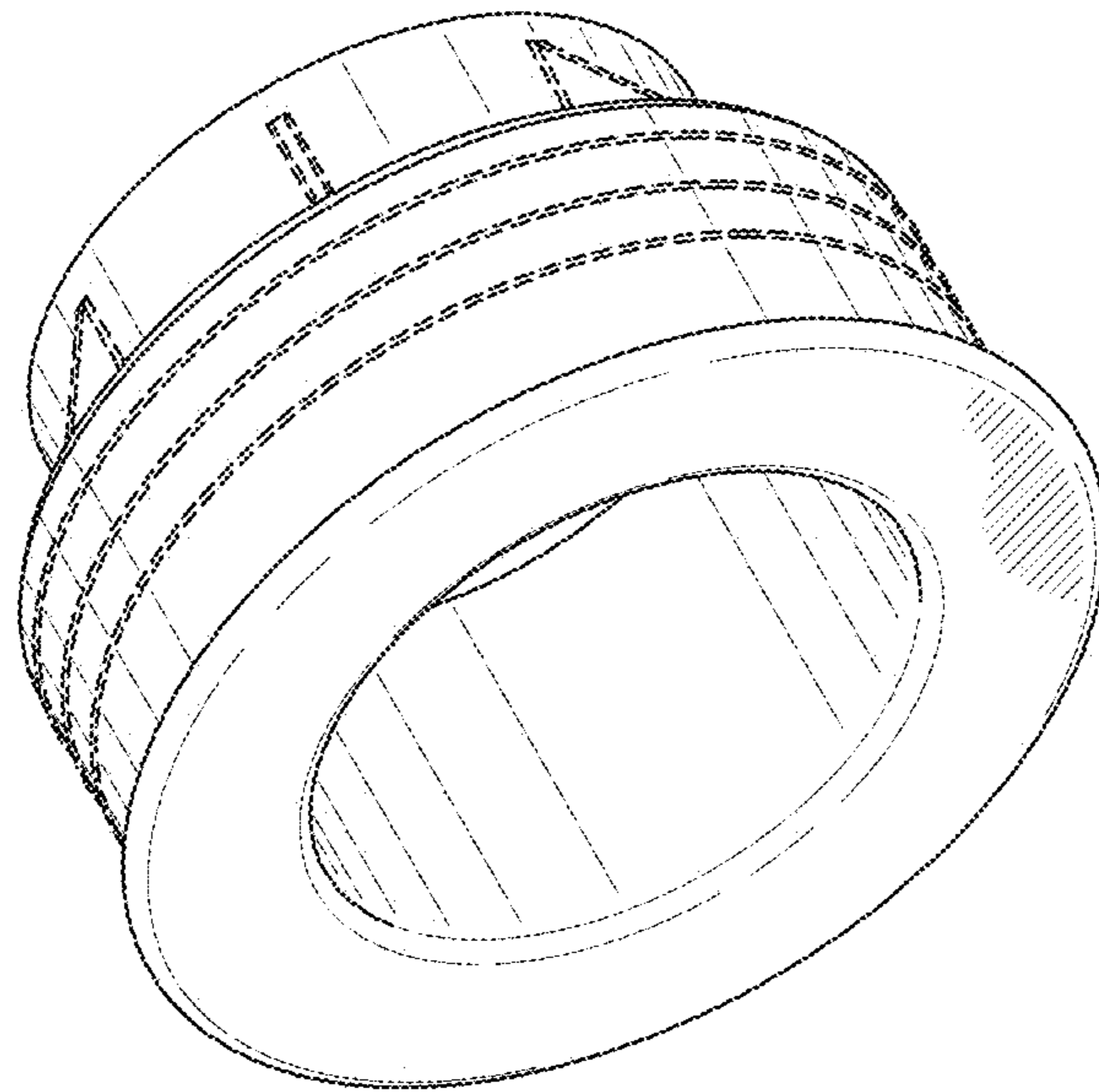


FIG. 1

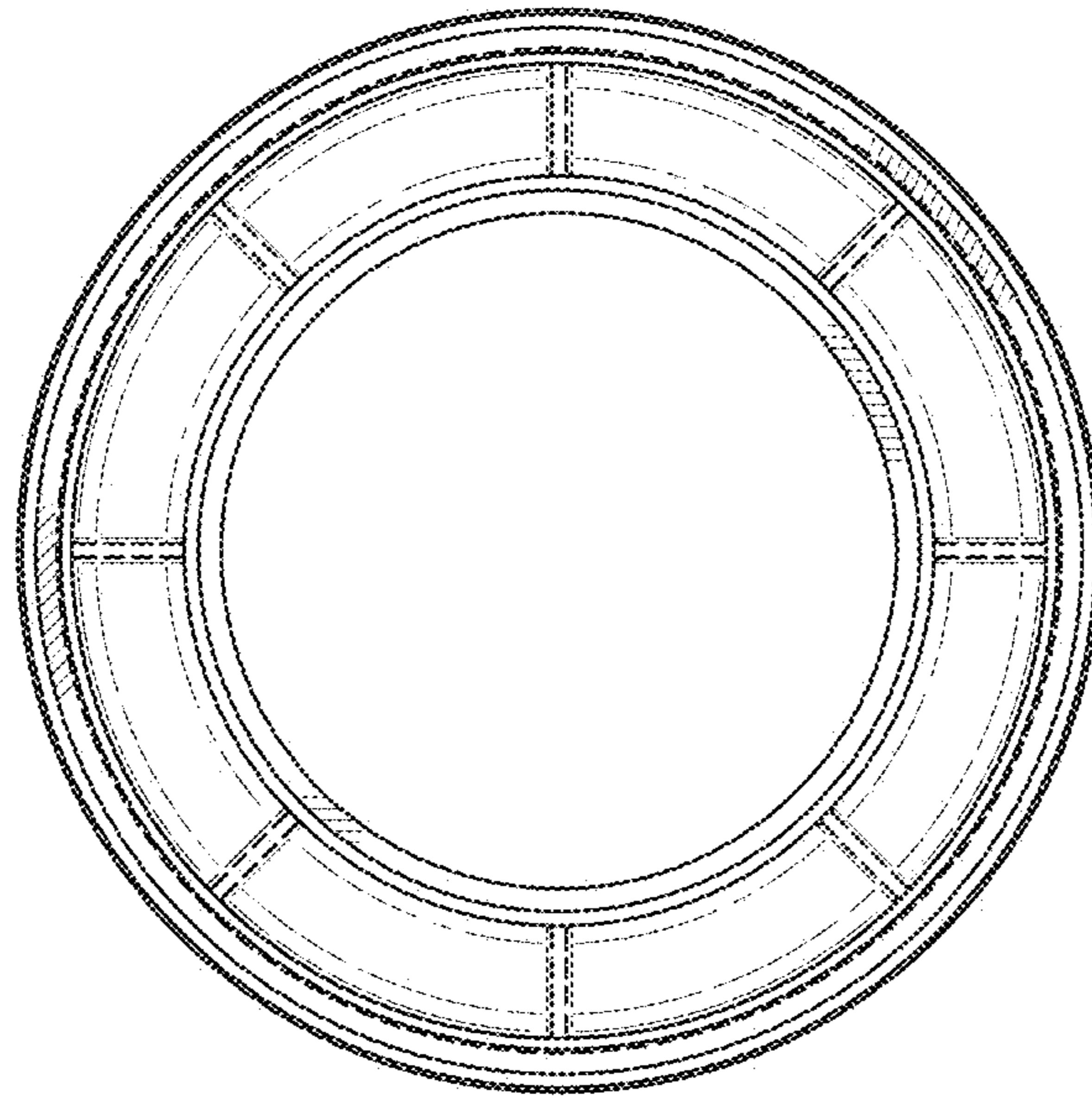


FIG. 4

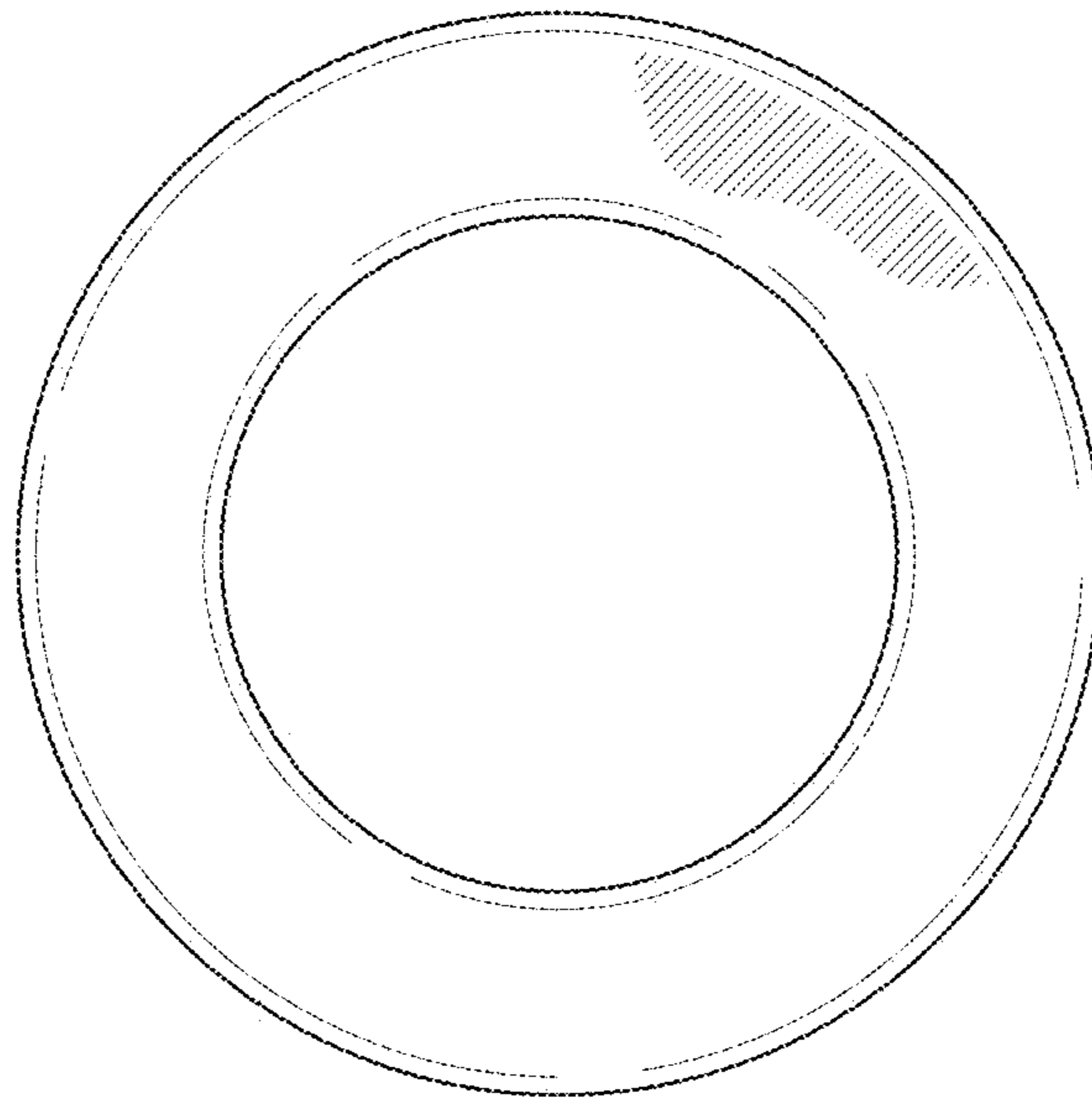


FIG. 3

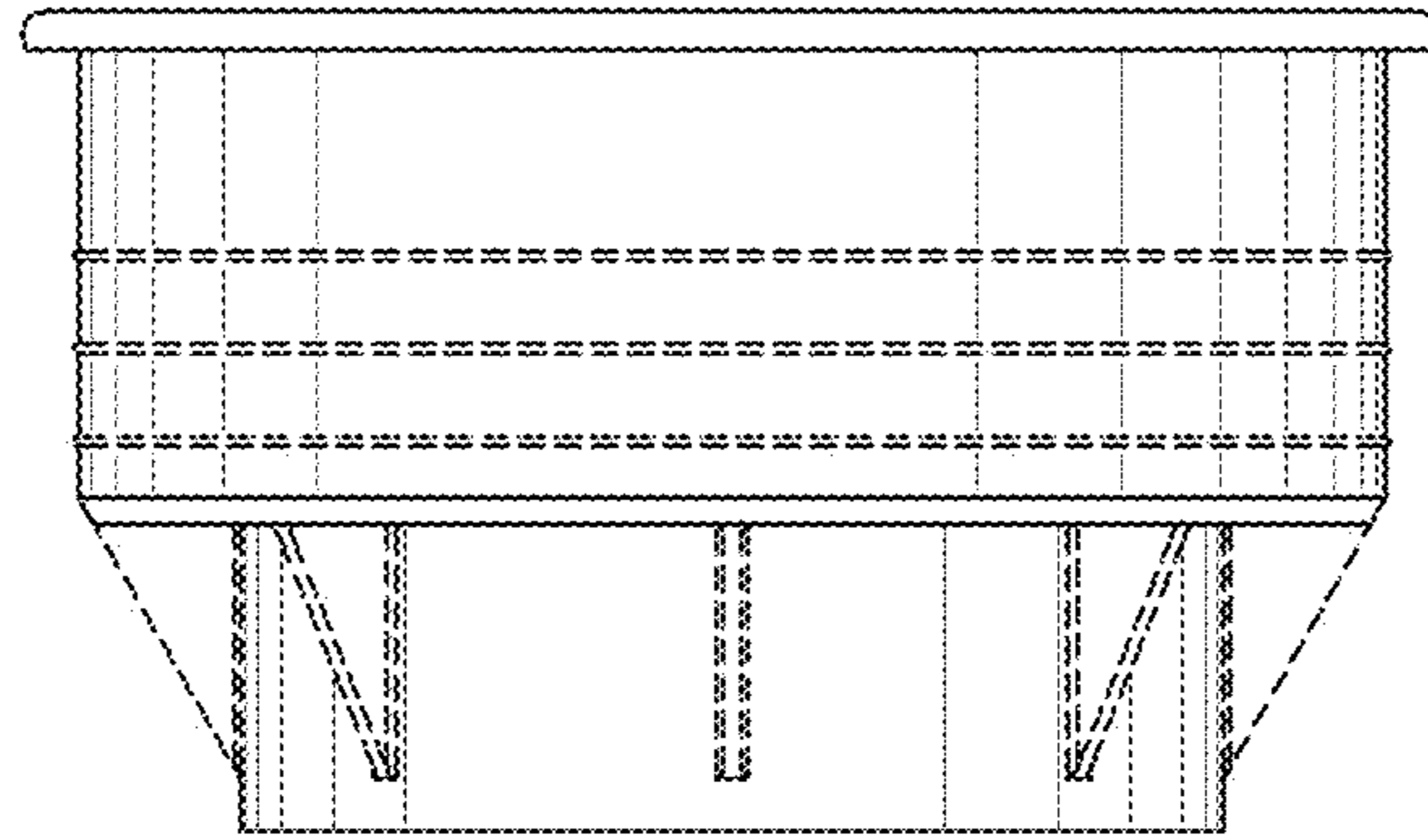


FIG. 6

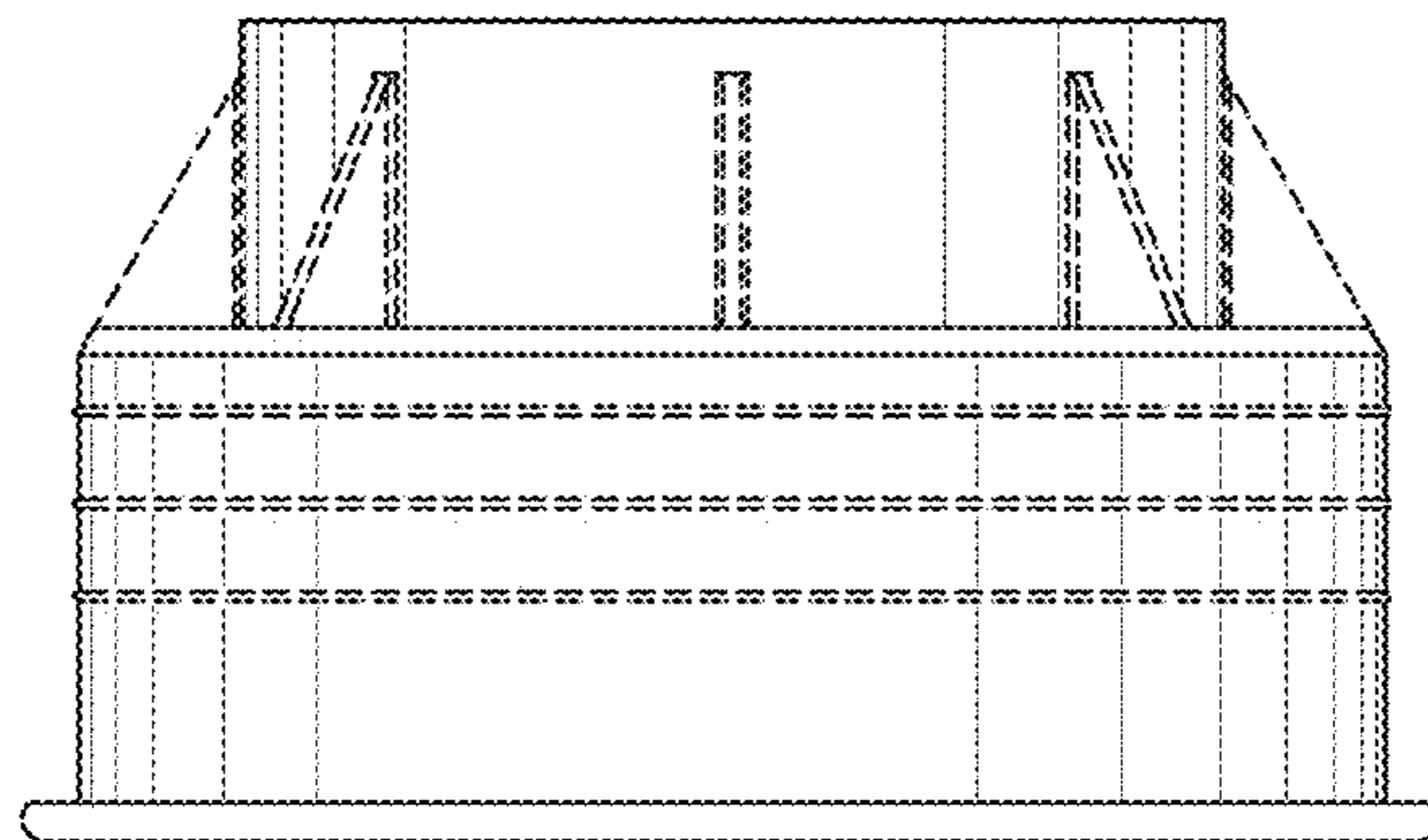


FIG. 5

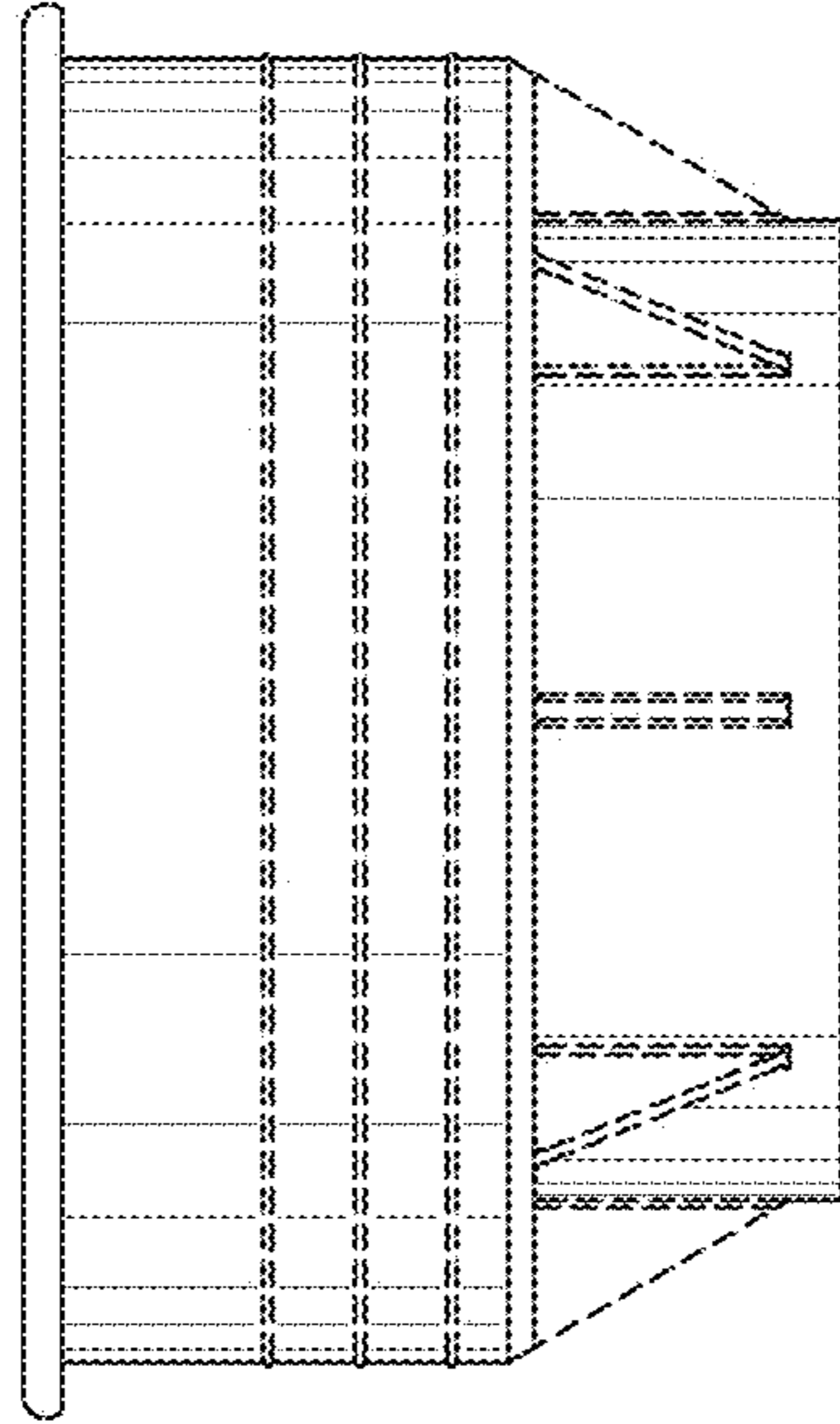


FIG. 8

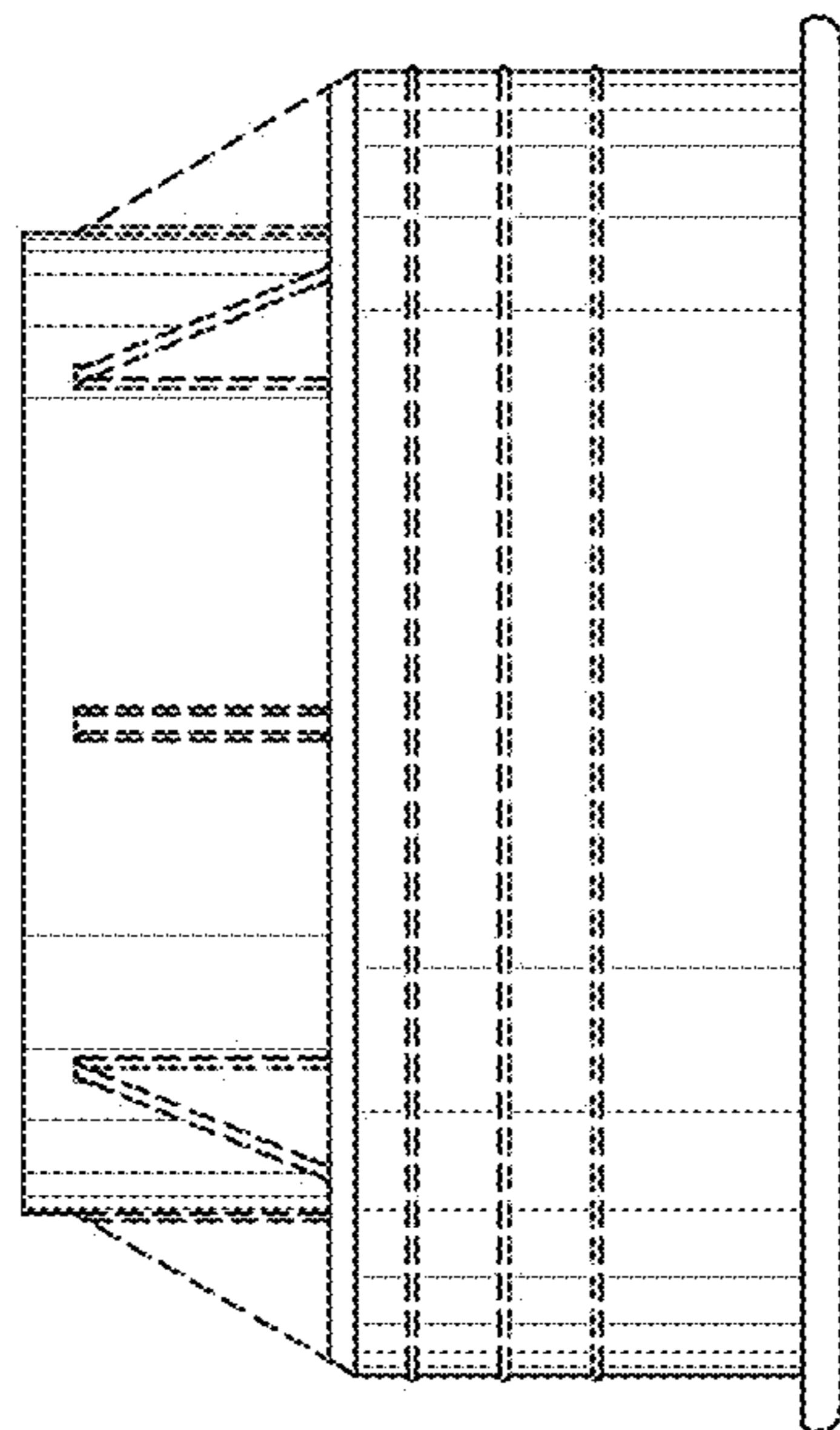


FIG. 7

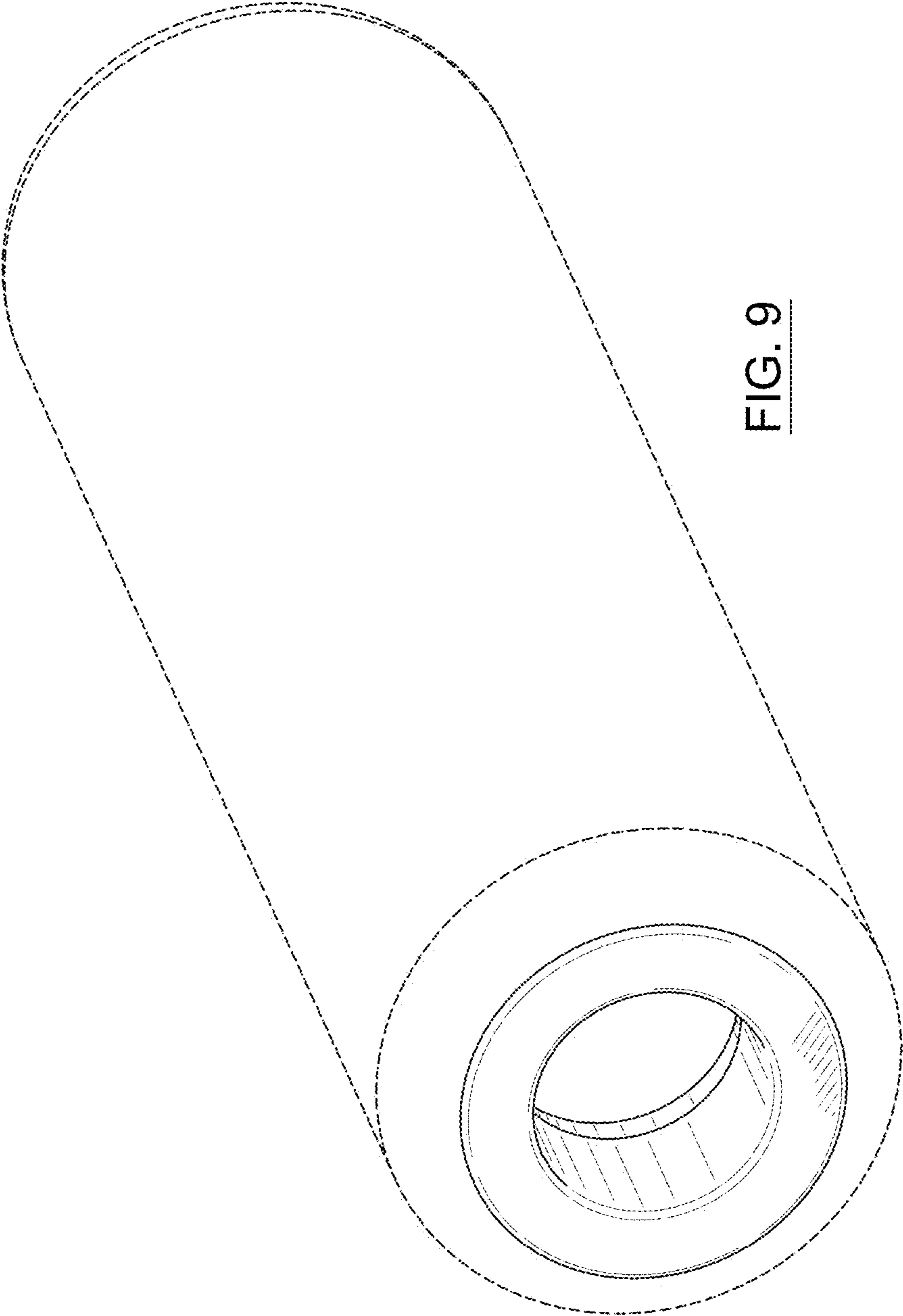


FIG. 9

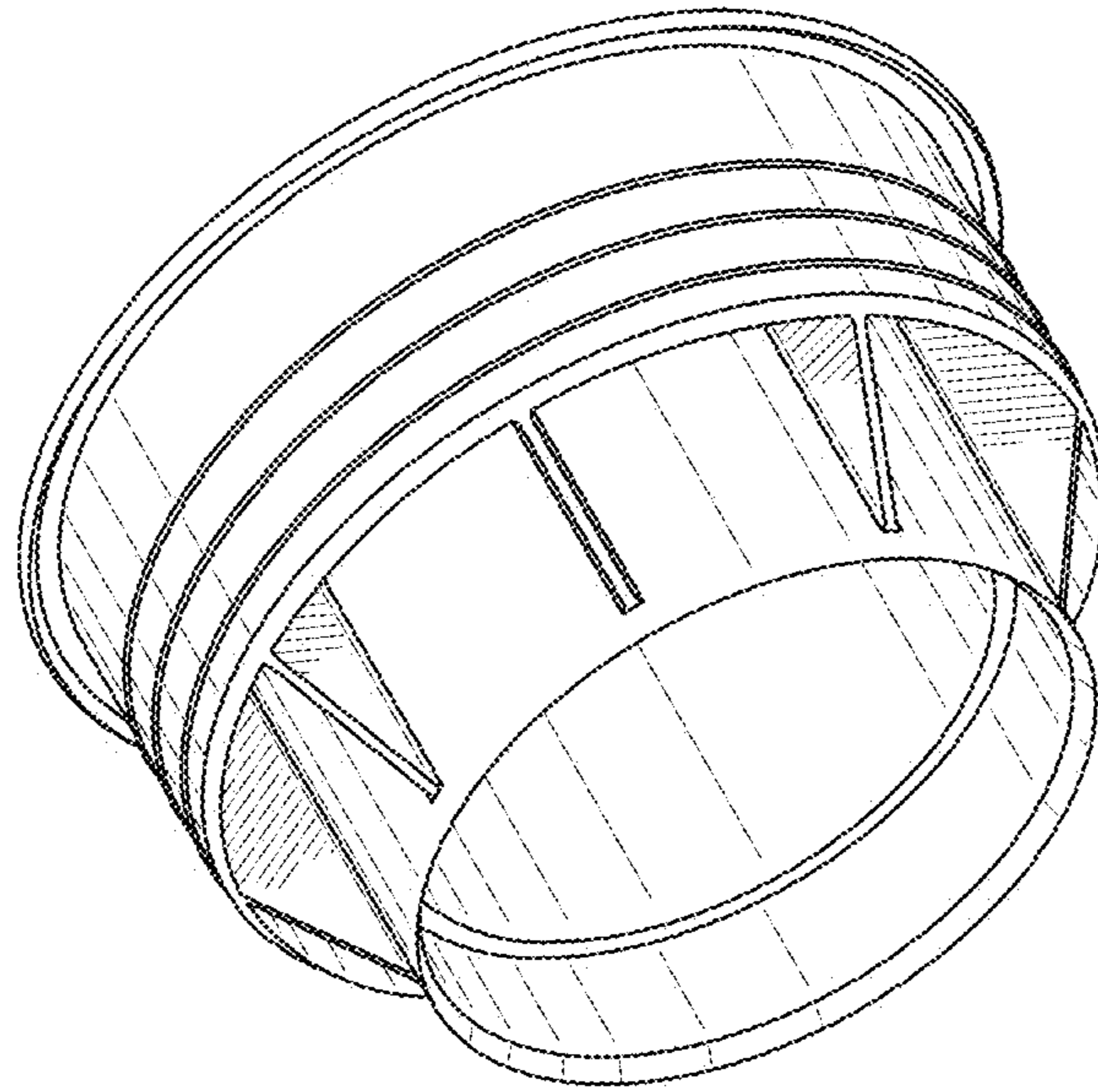


FIG. 11

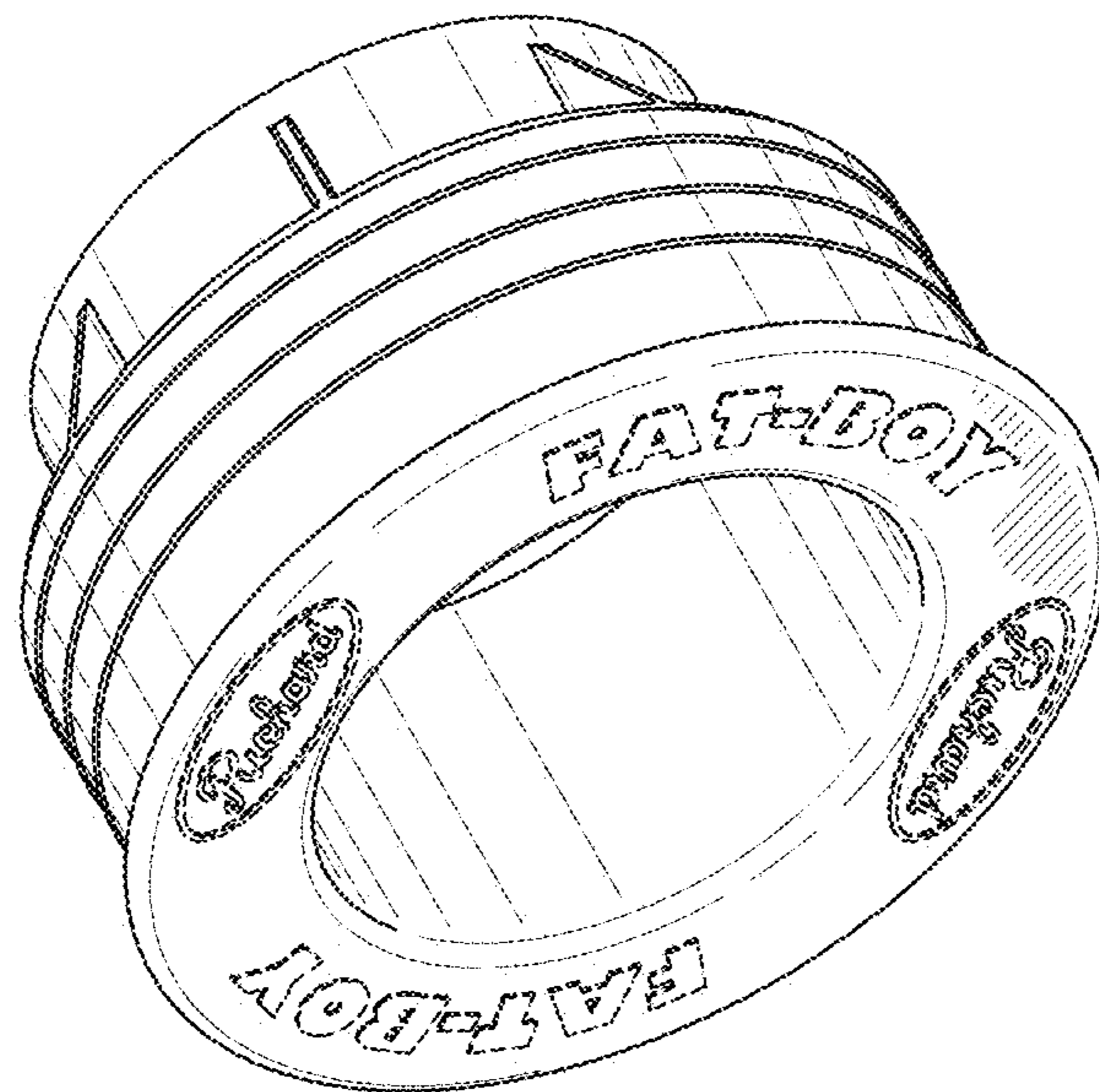


FIG. 10

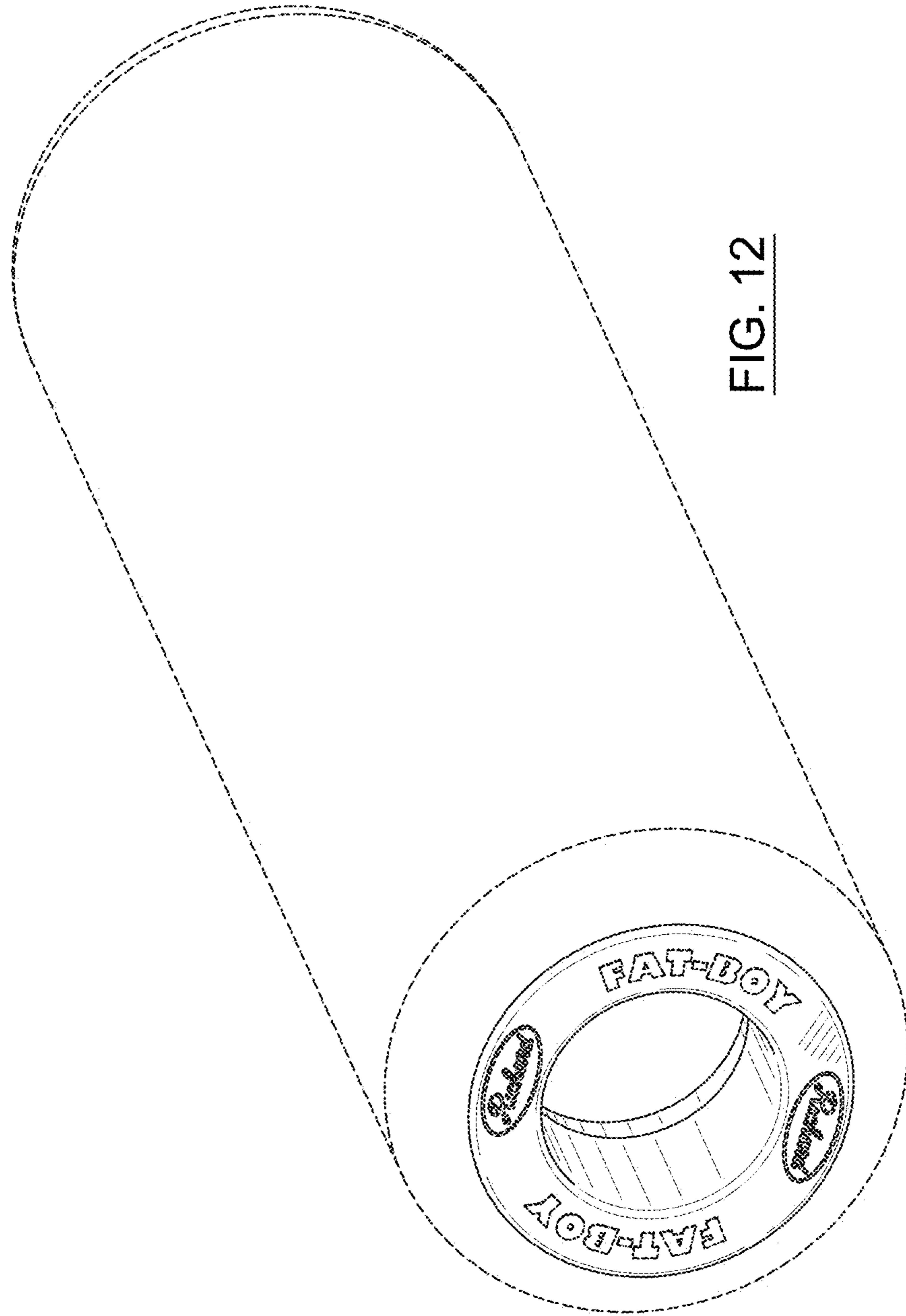


FIG. 12