



US00D712151S

(12) **United States Design Patent**  
**Tong**

(10) **Patent No.:** **US D712,151 S**

(45) **Date of Patent:** **\*\* Sep. 2, 2014**

(54) **LUGGAGE HANDLE BUTTON**

(71) Applicant: **Joy Tong**, Boca Raton, FL (US)

(72) Inventor: **Joy Tong**, Boca Raton, FL (US)

(\*\*) Term: **14 Years**

(21) Appl. No.: **29/473,904**

(22) Filed: **Nov. 26, 2013**

(51) **LOC (10) Cl.** ..... **03-01**

(52) **U.S. Cl.**  
USPC ..... **D3/318**

(58) **Field of Classification Search**  
USPC ..... D3/318, 321, 322, 324, 328, 216, 217,  
D3/273, 276, 279, 281, 282, 291;  
D8/300-302, 316-317, 319-320,  
D8/321-322, 273; 16/10.1, 113.1, 114.1,  
16/405-406, 408, 421-422; 190/18 A, 39,  
190/111, 114-115

See application file for complete search history.

(56) **References Cited**

**U.S. PATENT DOCUMENTS**

6,550,102 B1 \* 4/2003 Liang ..... 16/113.1  
6,709,034 B2 \* 3/2004 Michael ..... 292/336.3  
6,918,475 B2 \* 7/2005 Lin et al. .... 190/115  
7,232,019 B2 \* 6/2007 Chang et al. .... 190/115

7,278,182 B2 \* 10/2007 Wu ..... 16/113.1  
D607,645 S \* 1/2010 Wu ..... D3/318  
D637,398 S \* 5/2011 Jiang ..... D3/318  
D651,803 S \* 1/2012 Wu ..... D3/318

\* cited by examiner

*Primary Examiner* — Thomas Johannes

*Assistant Examiner* — Holly E Thurman

(74) *Attorney, Agent, or Firm* — Pai Patent & Trademark  
Law Firm; Chao-Chang David Pai

(57) **CLAIM**

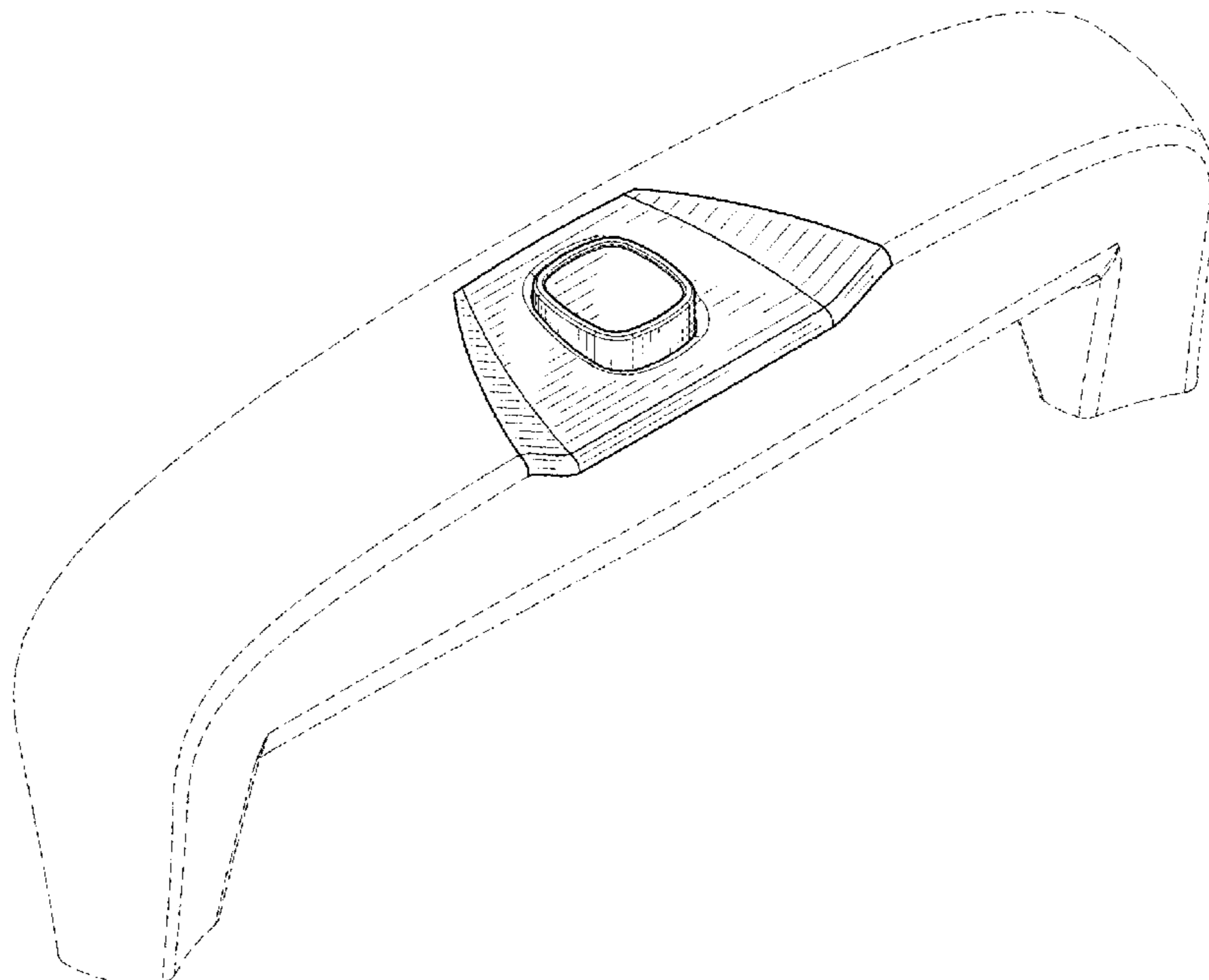
The ornamental design for a luggage handle button, as shown  
and described.

**DESCRIPTION**

FIG. 1 is a left side perspective view of a luggage handle  
button, showing my new design;  
FIG. 2 is a front elevational view thereof;  
FIG. 3 is a rear elevational view thereof;  
FIG. 4 is a left side elevational view thereof;  
FIG. 5 is a right side elevational view thereof;  
FIG. 6 is a top plan view thereof;  
FIG. 7 is a bottom plan view thereof; and,  
FIG. 8 is a cross-sectional view taken in the direction of the  
lines 8-8 of FIG. 2.

The broken lines depict unclaimed subject matter only, which  
forms no part of the claimed design.

**1 Claim, 7 Drawing Sheets**



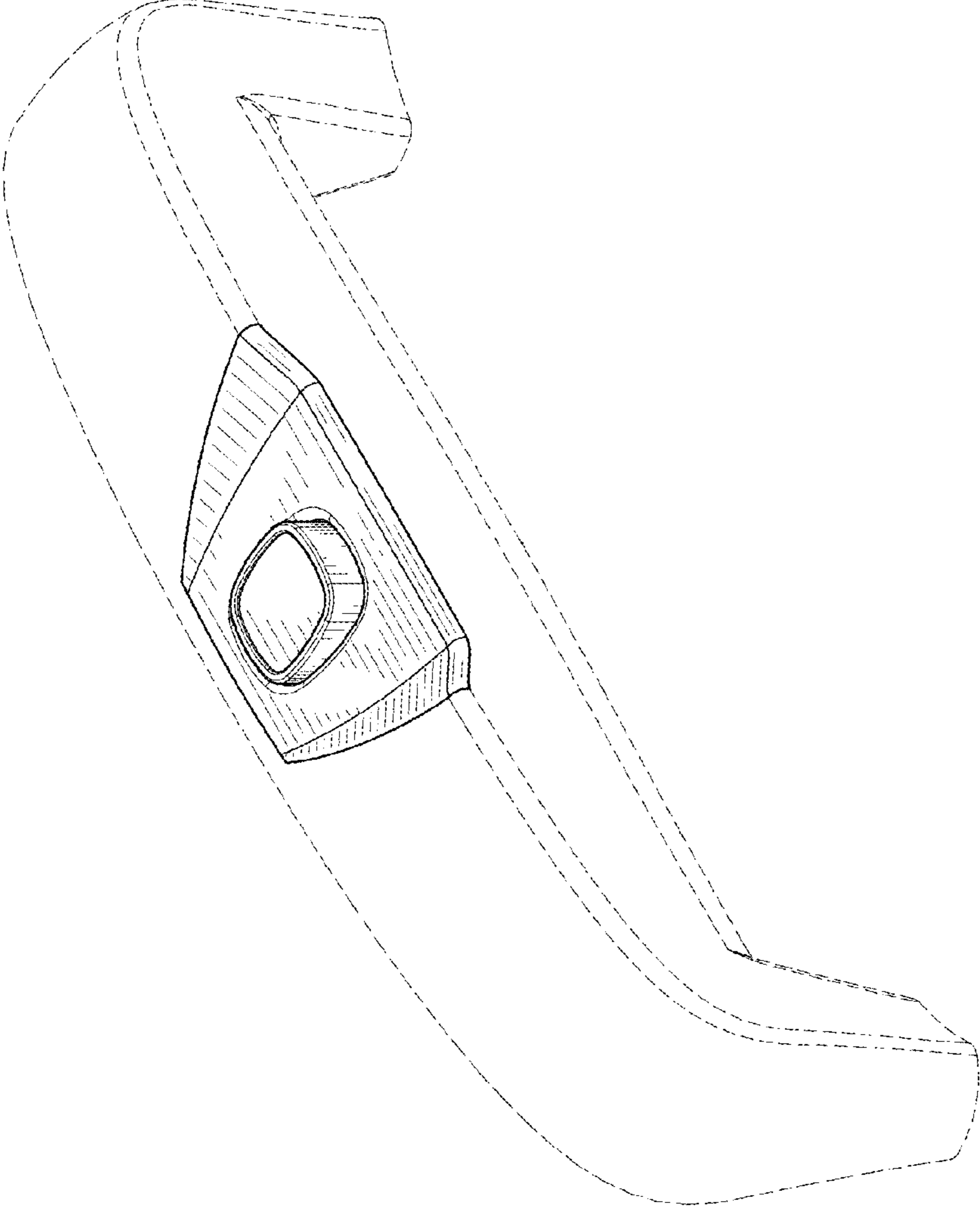


FIG. 1

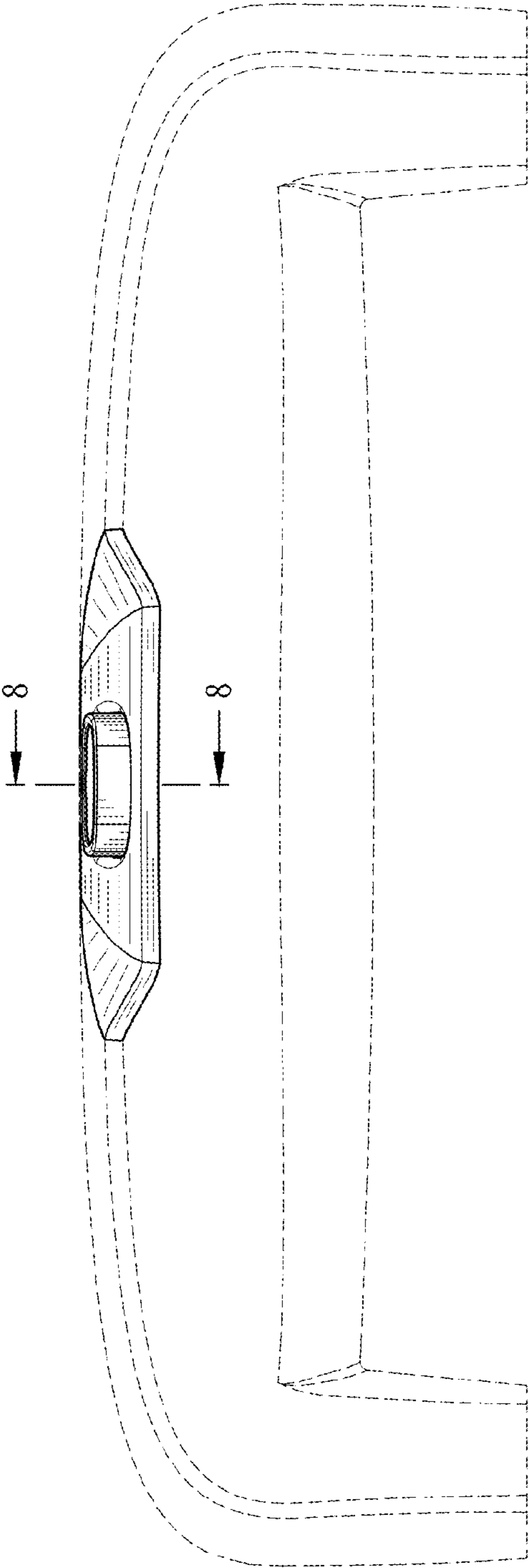


FIG. 2

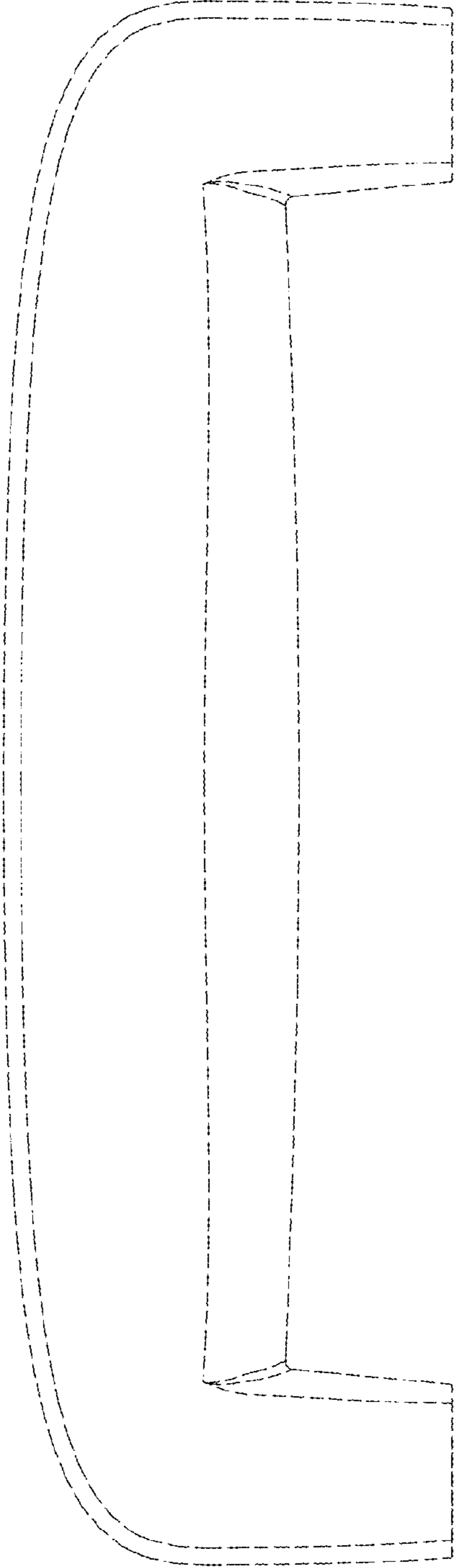


FIG. 3

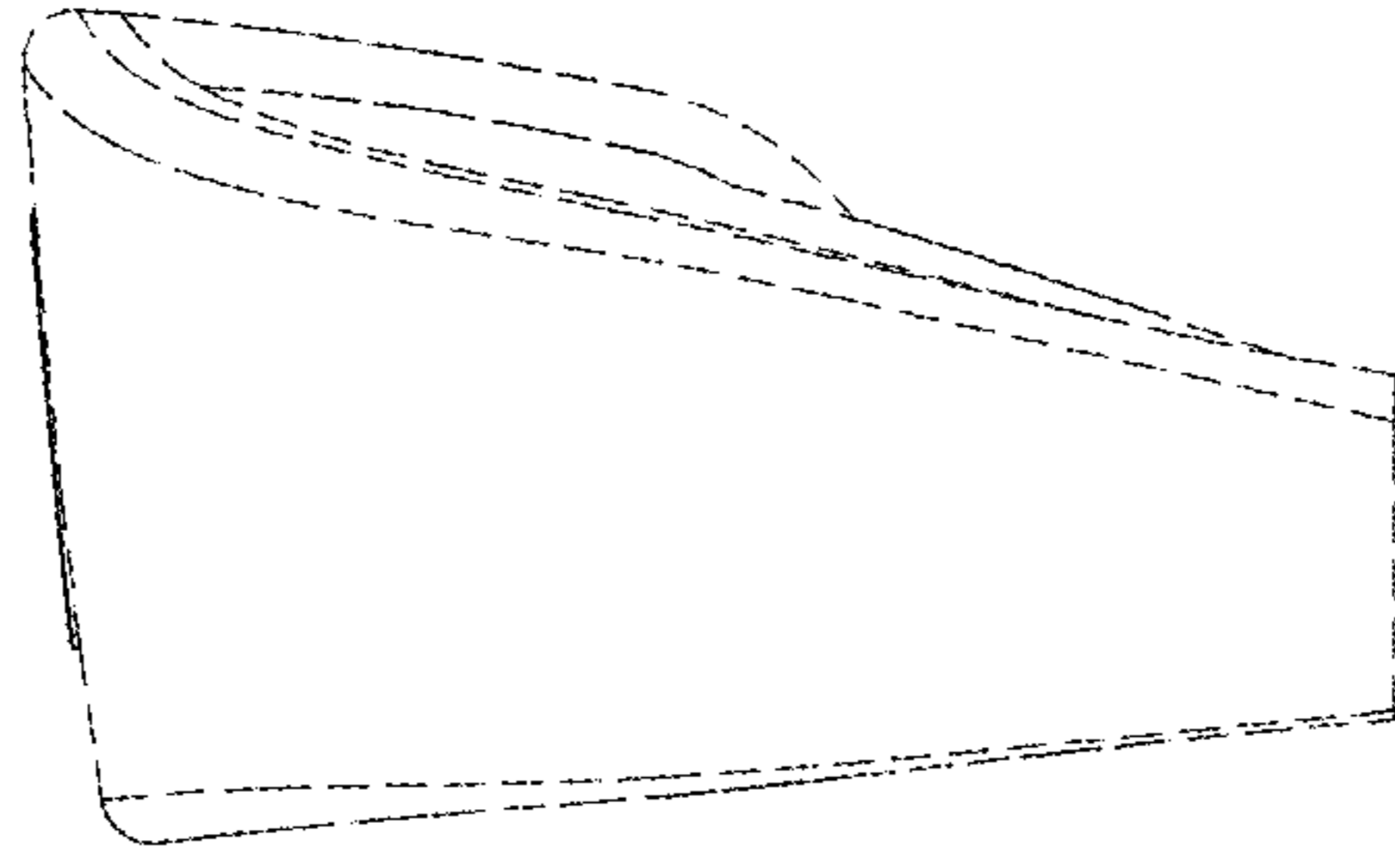


FIG. 5

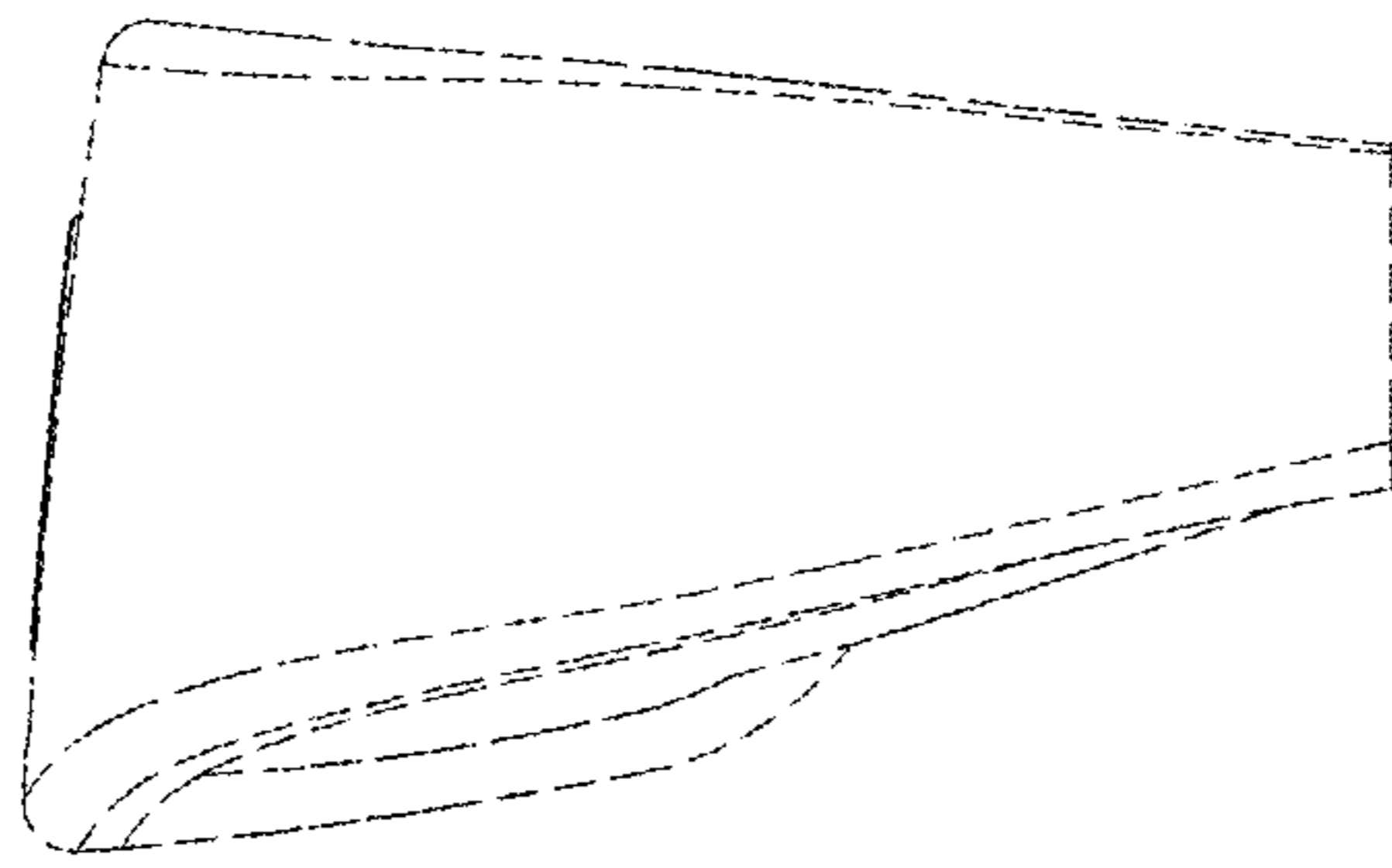


FIG. 4

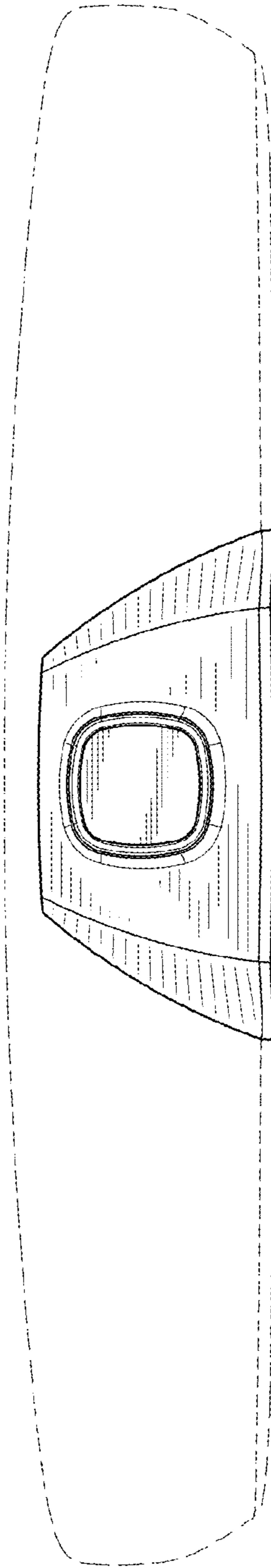


FIG. 6

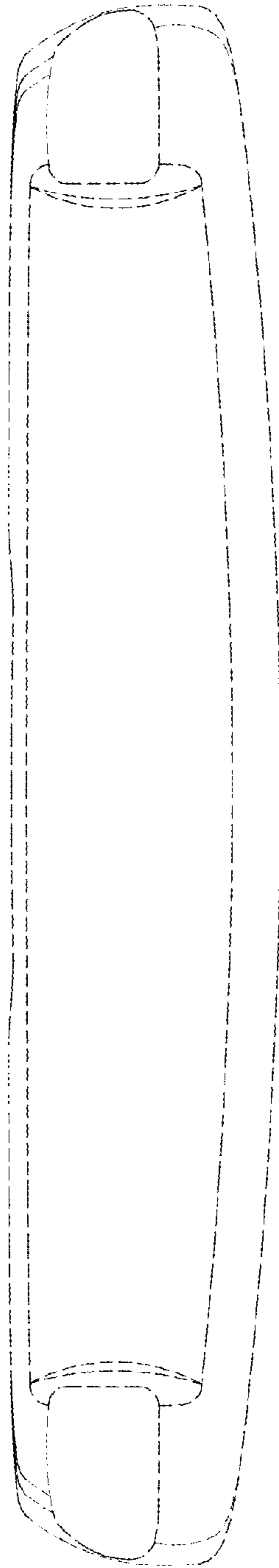


FIG. 7

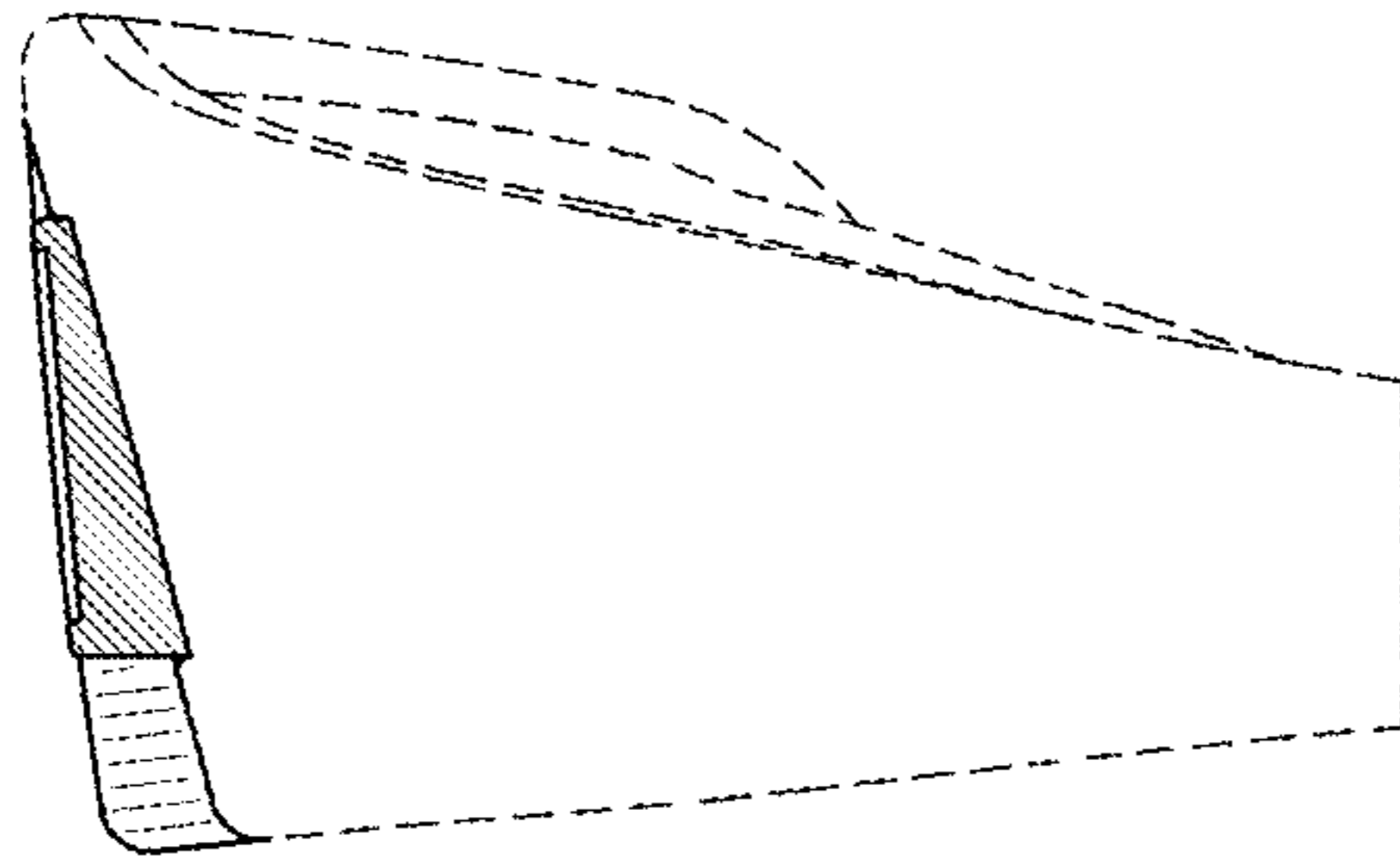


FIG. 8