



US00D712150S

(12) **United States Design Patent**  
**Nishimoto**

(10) **Patent No.:** **US D712,150 S**  
(45) **Date of Patent:** **\*\* Sep. 2, 2014**

(54) **FACE DECORATION FOR A BAG**

FOREIGN PATENT DOCUMENTS

(71) Applicant: **ACT Co. Ltd.**, Matsubara (JP)

JP D1363083 S 6/2009  
JP D1395372 S 8/2010  
JP D1395373 S 8/2010

(72) Inventor: **Shinji Nishimoto**, Matsubara (JP)

OTHER PUBLICATIONS

(73) Assignee: **ACT Co. Ltd.**, Matsubara-shi (JP)

Doll: the art and craft of Mimi Kirchner. Blog [online]. Posted by mimik, Apr. 20, 2006 [retrieved on Apr. 15, 2014]. Retrieved from the Internet: <URL: <http://mimikirchner.com/blog/archives/2006/04/robot-2/>>.\*

(\*\*) Term: **14 Years**

(21) Appl. No.: **29/459,733**

(Continued)

(22) Filed: **Jul. 2, 2013**

*Primary Examiner* — Adir Aronovich

(30) **Foreign Application Priority Data**

*Assistant Examiner* — Ethiene Salgado-Rodriguez

Feb. 26, 2013 (JP) ..... 2013-004006

(74) *Attorney, Agent, or Firm* — Knobbe Martens Olson & Bear LLP

(51) **LOC (10) Cl.** ..... **03-01**

(57) **CLAIM**

(52) **U.S. Cl.**

The ornamental design for a face decoration for a bag, as shown and described.

USPC ..... **D3/318**; D3/248

(58) **Field of Classification Search**

**DESCRIPTION**

CPC ..... A45C 1/06; A45C 15/00; A45C 11/18;  
A45C 11/182; A45C 13/36

USPC ..... 150/132, 136–138; 206/301, 305, 38,  
206/810; D21/621, 623, 658; D3/203.1,  
D3/203.5, 203.6, 203.8, 205, 211, 215,  
D3/218, 221, 234, 235, 236, 247, 249, 252,  
D3/270, 271.3, 273, 274, 301

See application file for complete search history.

FIG. 1 is front elevational view of a face decoration for a bag showing our new design as applied on the side of a bag.

FIG. 2 is a rear elevational view thereof.

FIG. 3 is a left side elevational view thereof.

FIG. 4 is a right side elevational view thereof.

FIG. 5 is a top plan view thereof.

FIG. 6 is a bottom plan view thereof; and,

FIG. 7 is a front elevational view showing a tongue portion of the decoration withdrawn behind two zippers.

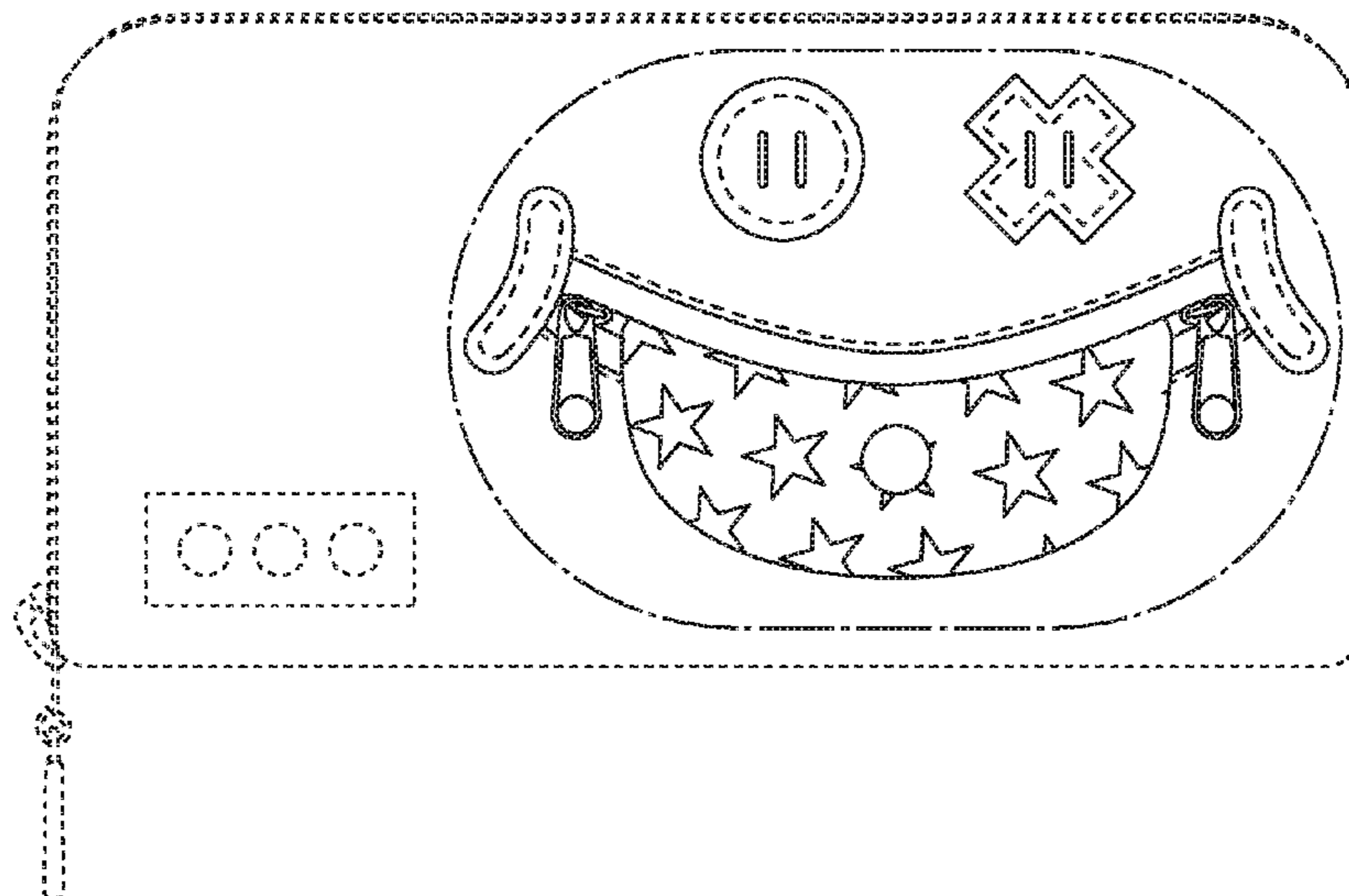
The dashed broken lines that appear in FIGS. 1 and 7 depict stitching lines which are part of the claimed design. The dotted broken lines in the figure drawings are included for the purpose of illustrating environment and form no part of the claimed design. The dot-dash broken lines in FIGS. 1 and 7 define the boundary of the claimed design and form no part thereof.

(56) **References Cited**

U.S. PATENT DOCUMENTS

D174,823 S \* 5/1955 Macy ..... D3/236  
2,995,865 A \* 8/1961 Kiscadden ..... 446/73  
D287,259 S \* 12/1986 Maiden-Neset ..... D21/632  
4,637,798 A \* 1/1987 Maiden-Neset ..... 434/191  
D301,394 S \* 6/1989 Schrader ..... D3/236  
D465,917 S \* 11/2002 Cook ..... D3/226  
D511,209 S \* 11/2005 Callan ..... D24/110.1

**1 Claim, 7 Drawing Sheets**



(56)

**References Cited**

OTHER PUBLICATIONS

Robot Zipper Mouth Pencil Case {boy version} | Make It and Love It. Blog [online]. Posted Ashley [retrieved on Apr. 4, 2014]. Retrieved from the Internet: <URL: <http://www.makeit-loveit.com/2012/08/robot-zipper-mouth-pencil-case-boy-version.html>>.\*

Leslie's Art and Sew: What Makes a Monster a Monster?. Blog [online]. Posted Leslie Andersen [retrieved on Apr. 15, 2014]. Retrieved from the Internet: <URL: <http://lesliesartandsew.blogspot.com/2012/02/what-makes-monster-monster.html>>.\*

\* cited by examiner

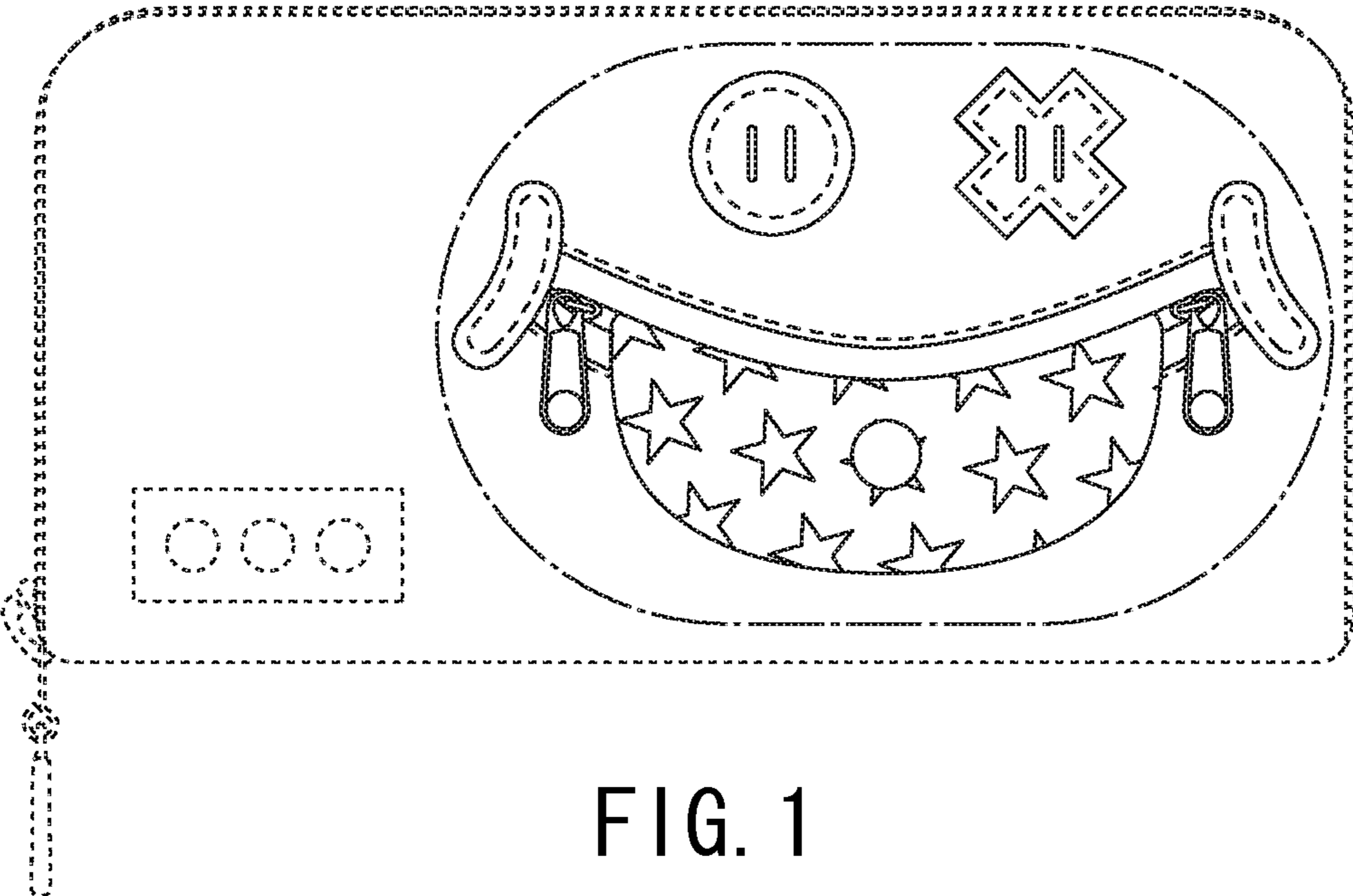


FIG. 1

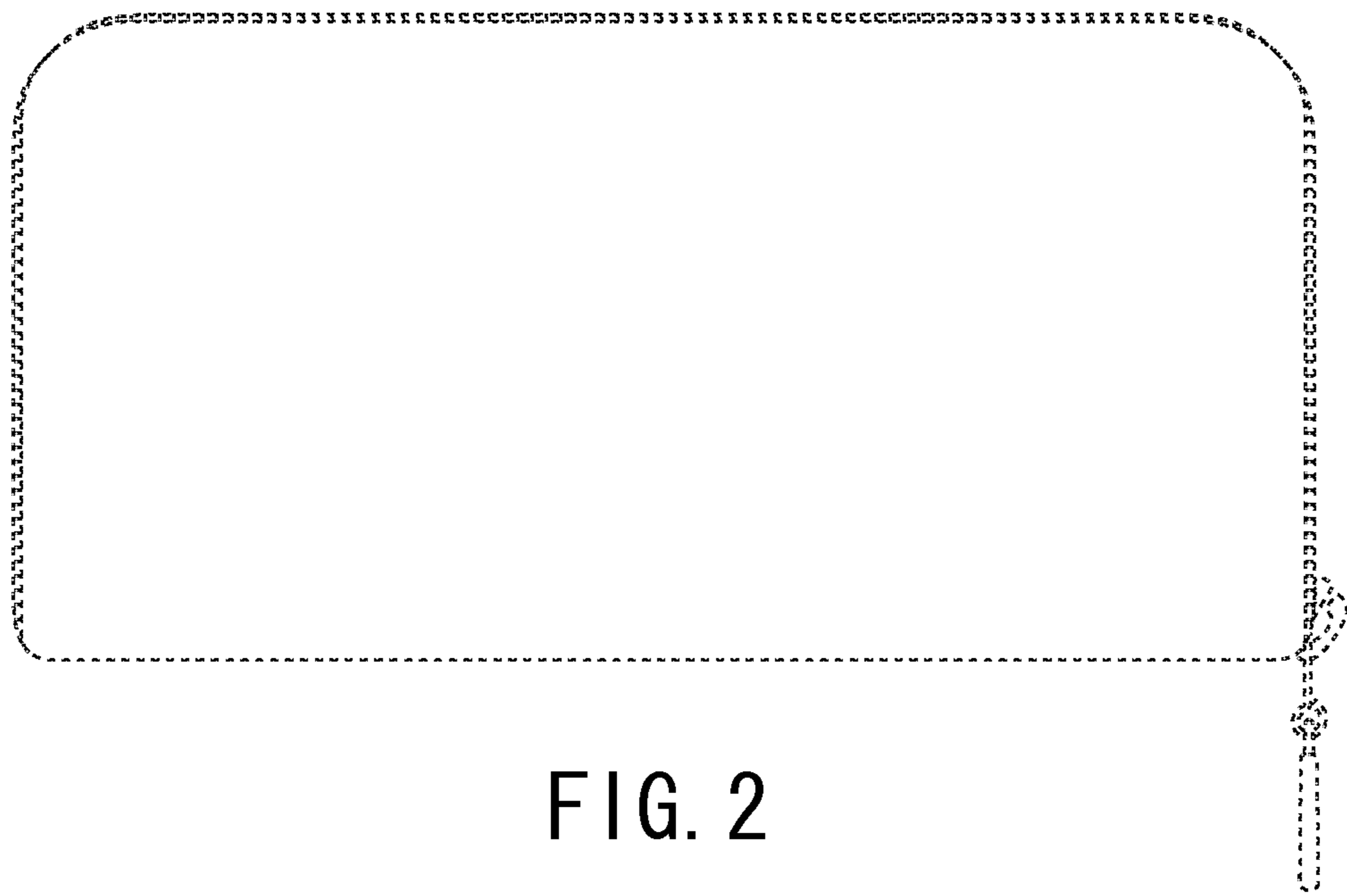


FIG. 2

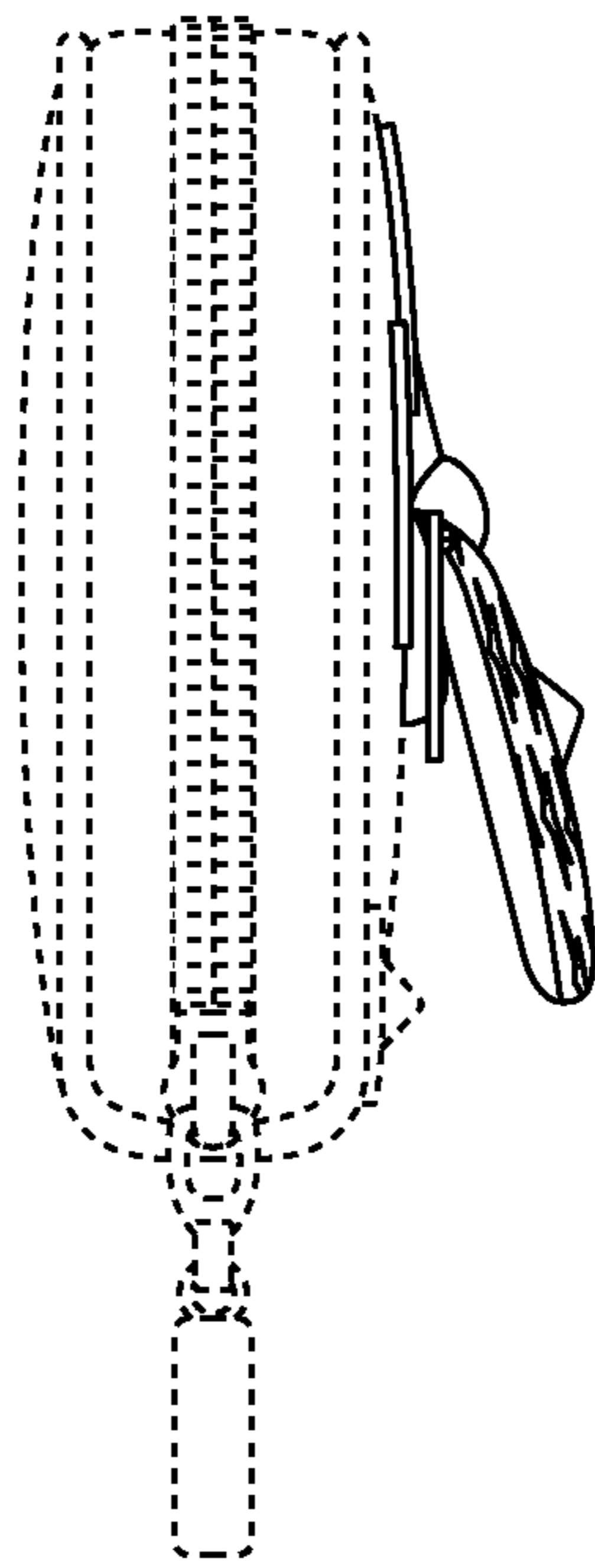


FIG. 3

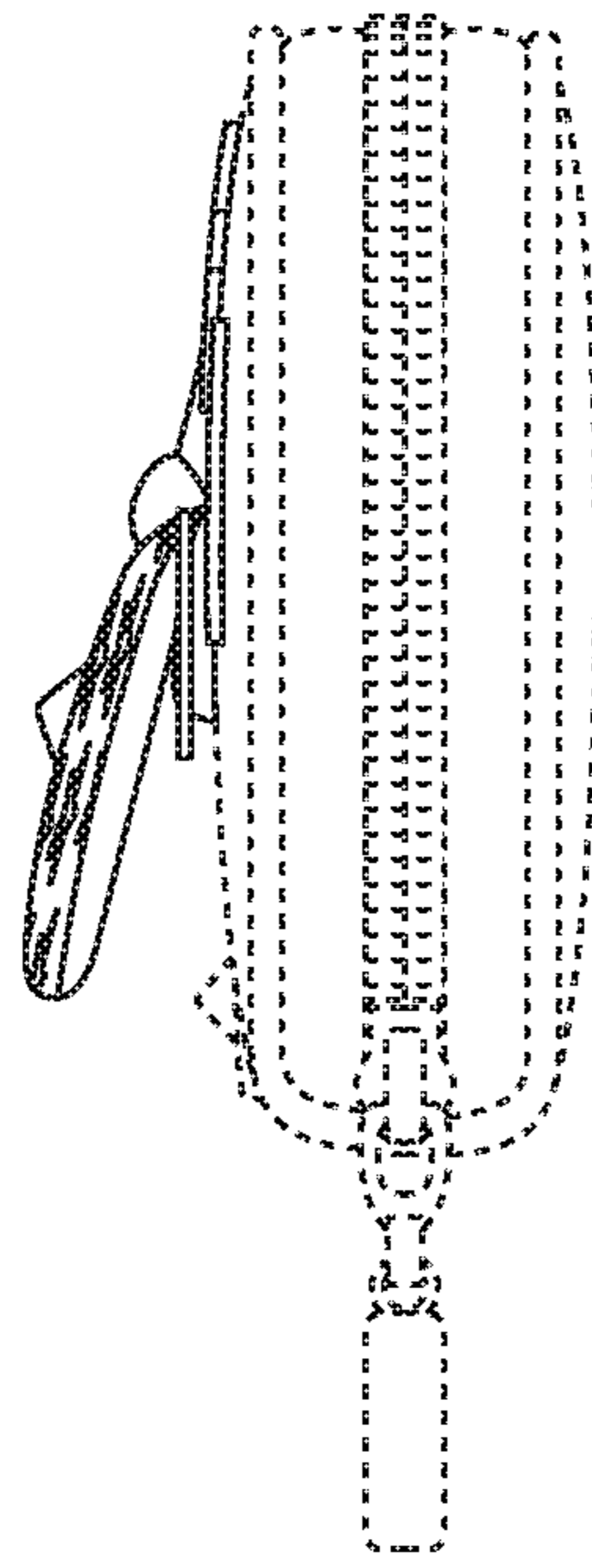


FIG. 4

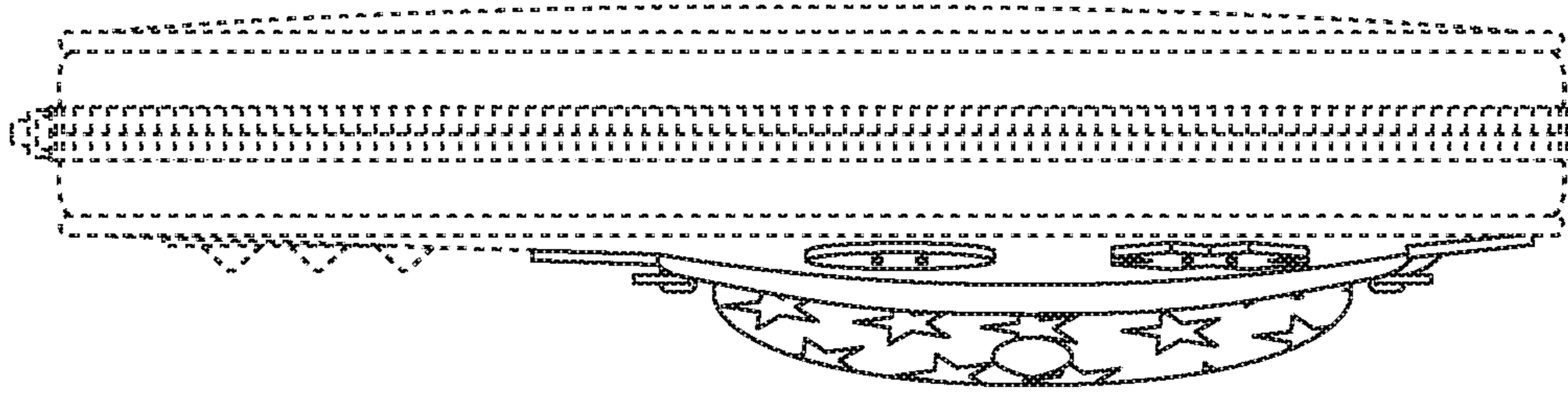


FIG. 5

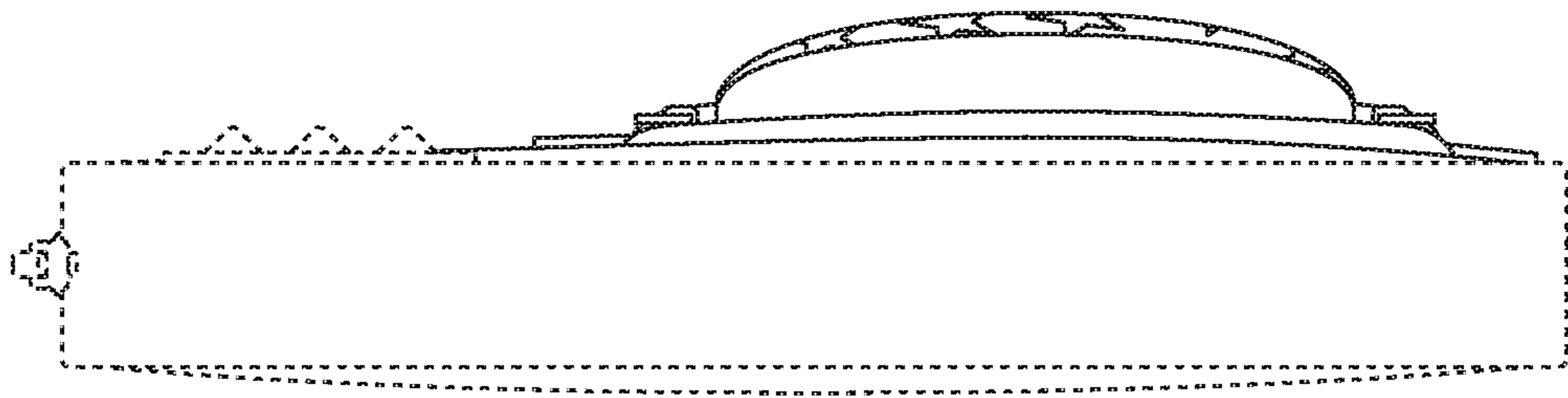


FIG. 6



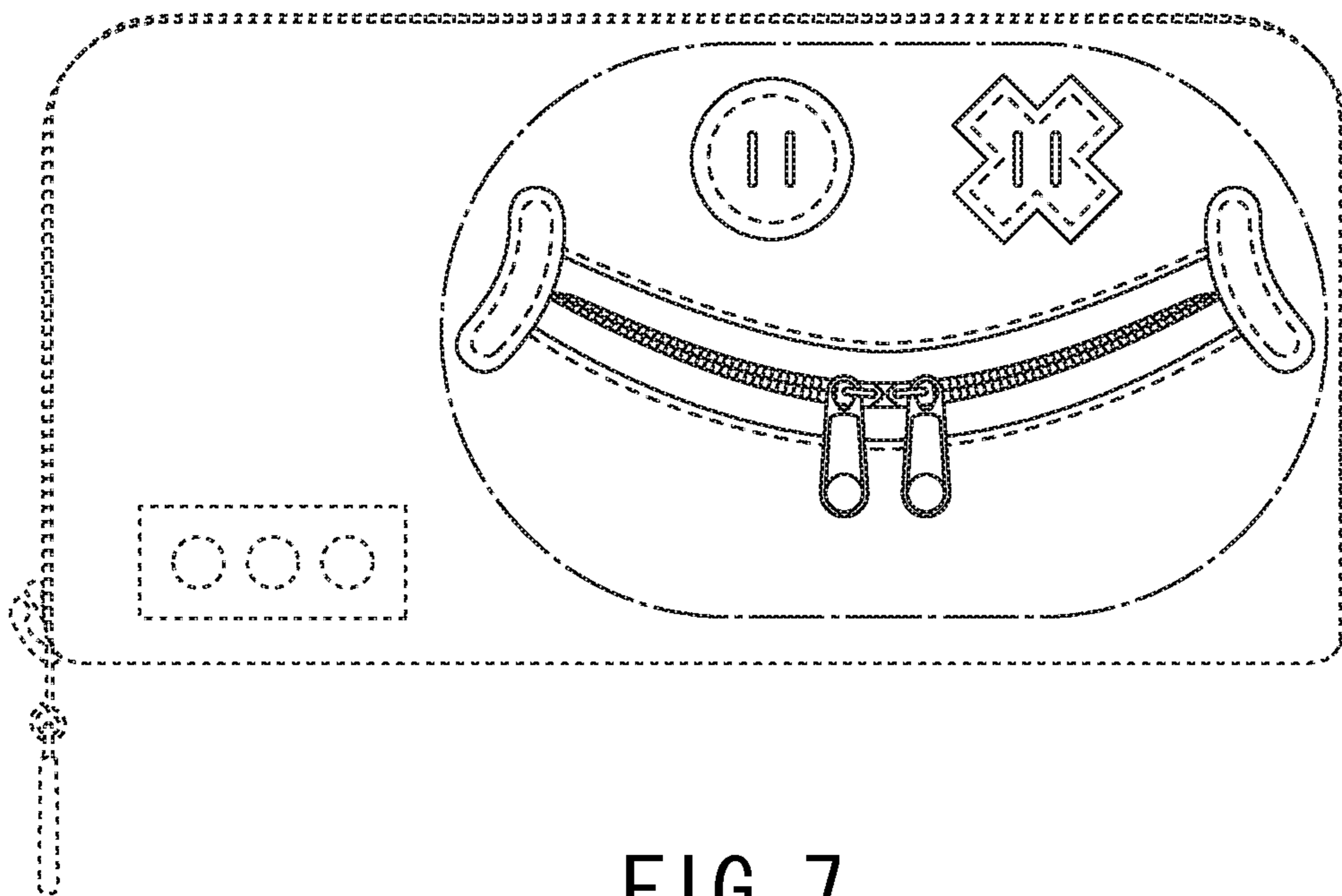


FIG. 7