



US00D712149S

(12) **United States Design Patent**  
**Perez-Segarra**

(10) **Patent No.:** **US D712,149 S**  
(45) **Date of Patent:** **\*\* Sep. 2, 2014**

(54) **BASKET**

(71) Applicant: **Juan Roberto Perez-Segarra**, San Juan,  
PR (US)

(72) Inventor: **Juan Roberto Perez-Segarra**, San Juan,  
PR (US)

(\*\*) Term: **14 Years**

(21) Appl. No.: **29/465,375**

(22) Filed: **Aug. 27, 2013**

(51) **LOC (10) Cl.** ..... **03-01**

(52) **U.S. Cl.**  
USPC ..... **D3/309**

(58) **Field of Classification Search**  
USPC ..... D3/304, 306–309, 315–316;  
D7/601–603, 608, 709; D9/429–430;  
D22/136; D32/37, 53; 217/122, 125;  
220/659, 669

See application file for complete search history.

(56) **References Cited**

**U.S. PATENT DOCUMENTS**

D373,873 S \* 9/1996 Nguyen et al. .... D34/1  
D451,280 S \* 12/2001 Snell ..... D3/309  
D503,534 S \* 4/2005 Dong ..... D3/276  
D536,172 S \* 2/2007 Baez ..... D3/309

D582,117 S \* 12/2008 Chafe et al. .... D32/53.1  
D605,405 S \* 12/2009 Bodum ..... D3/308  
D608,066 S \* 1/2010 Pearl et al. .... D32/53  
D655,576 S \* 3/2012 Samartgis ..... D7/602  
D655,914 S \* 3/2012 Perez ..... D3/309  
D655,915 S \* 3/2012 Perez ..... D3/309  
D662,321 S 6/2012 Perez-Segarra  
D662,322 S 6/2012 Perez-Segarra  
D702,441 S \* 4/2014 Perez-Segarra ..... D3/308

\* cited by examiner

*Primary Examiner* — Kelley Donnelly

(74) *Attorney, Agent, or Firm* — Hoglund & Pamas, P.S.C.;  
Roberto J. Rios

(57) **CLAIM**

The ornamental design for a basket, as shown and described.

**DESCRIPTION**

FIG. 1 is a side perspective view of a basket.  
FIG. 2 is a side view of the basket of FIG. 1.  
FIG. 3 is a top view of the basket of FIG. 1.  
FIG. 4 is a bottom view of the basket of FIG. 1.  
FIG. 5 is a side perspective view of a basket.  
FIG. 6 is a side view of the basket of FIG. 5.  
FIG. 7 is a top view of the basket of FIG. 5; and,  
FIG. 8 is a bottom view of the basket of FIG. 5.  
The broken lines are for the purpose of illustrating the environment of the design only and form no part of the claimed design.

**1 Claim, 4 Drawing Sheets**

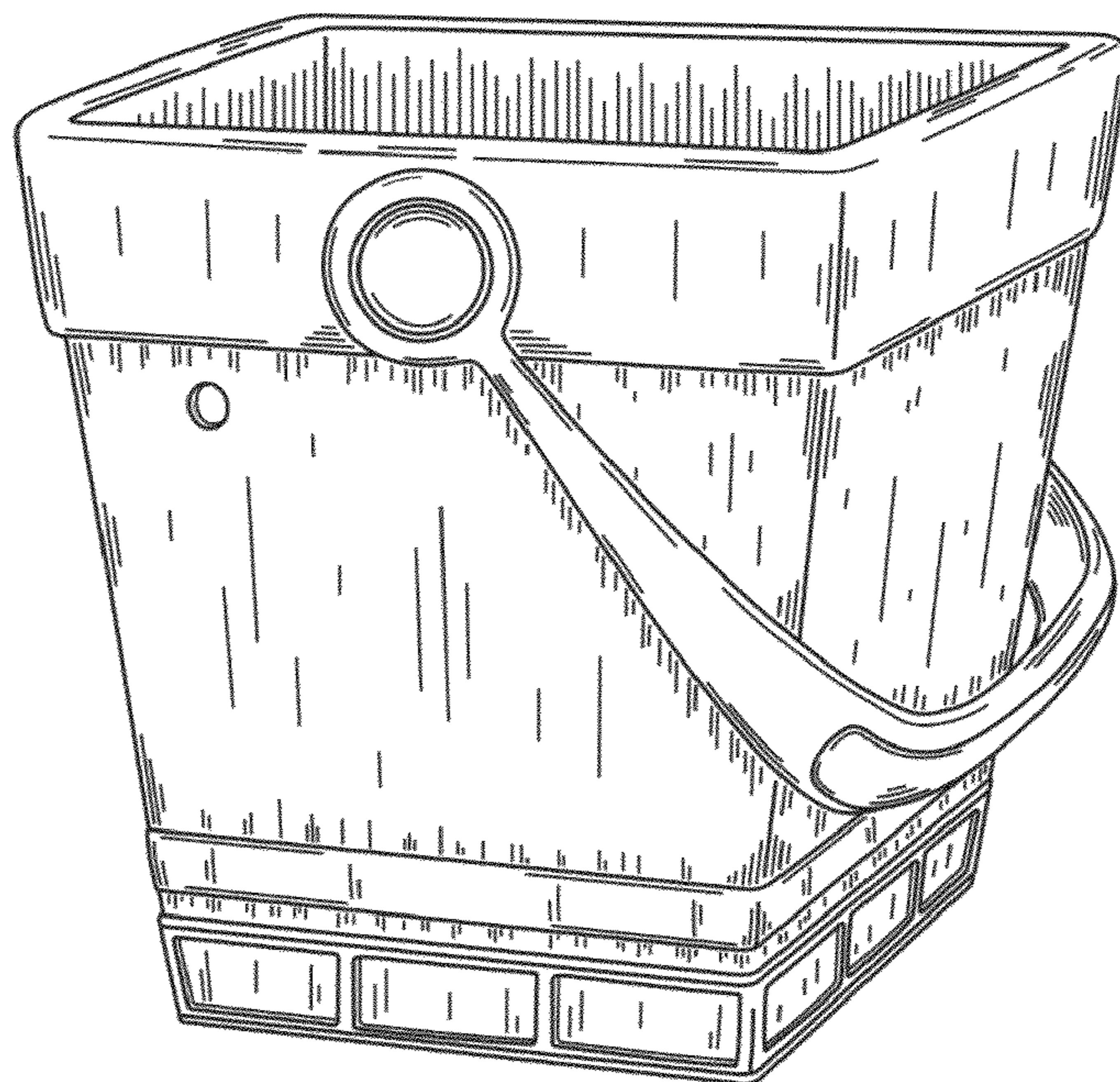


FIG. 1

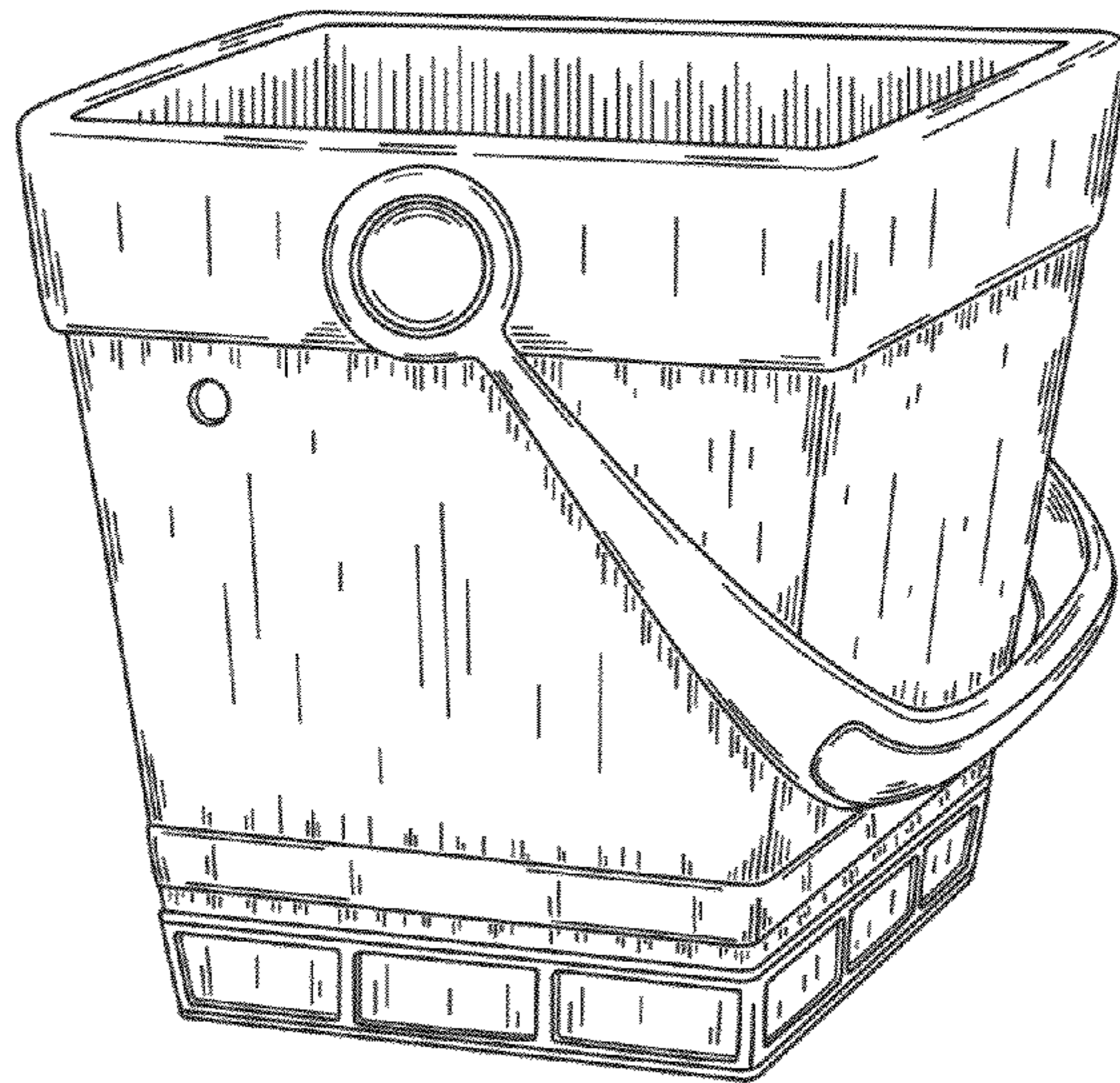


FIG. 2

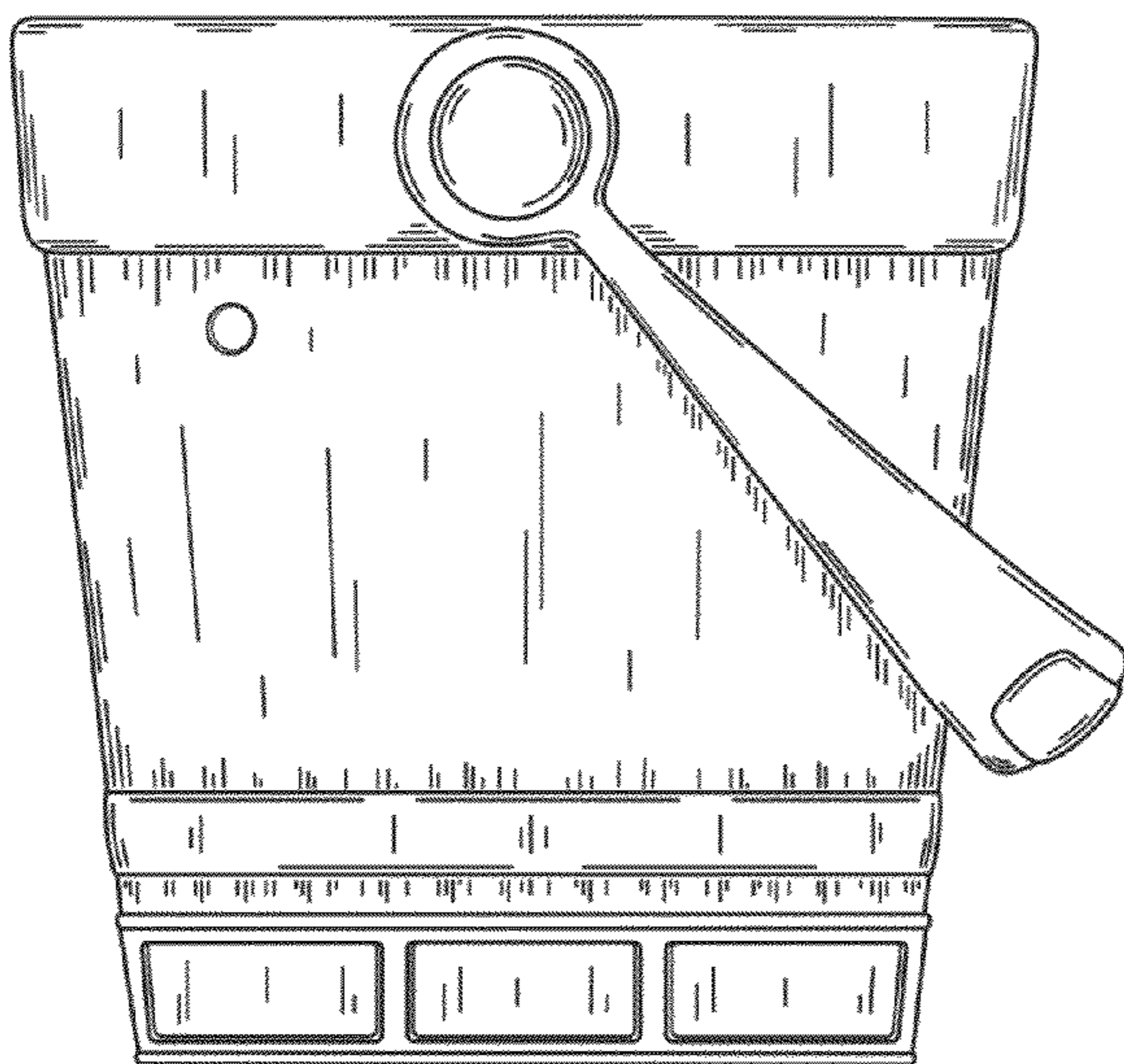


FIG. 3

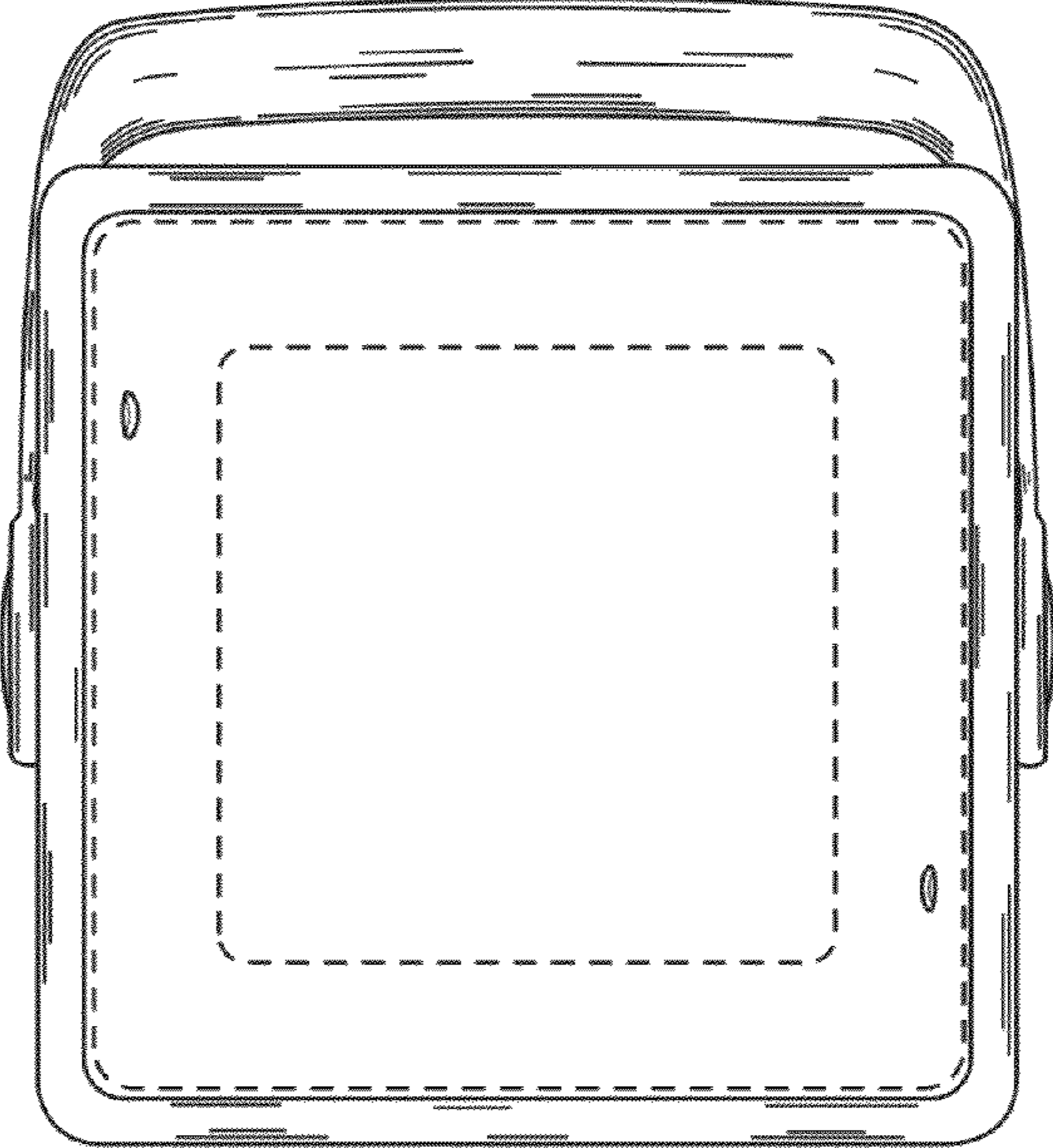


FIG. 4

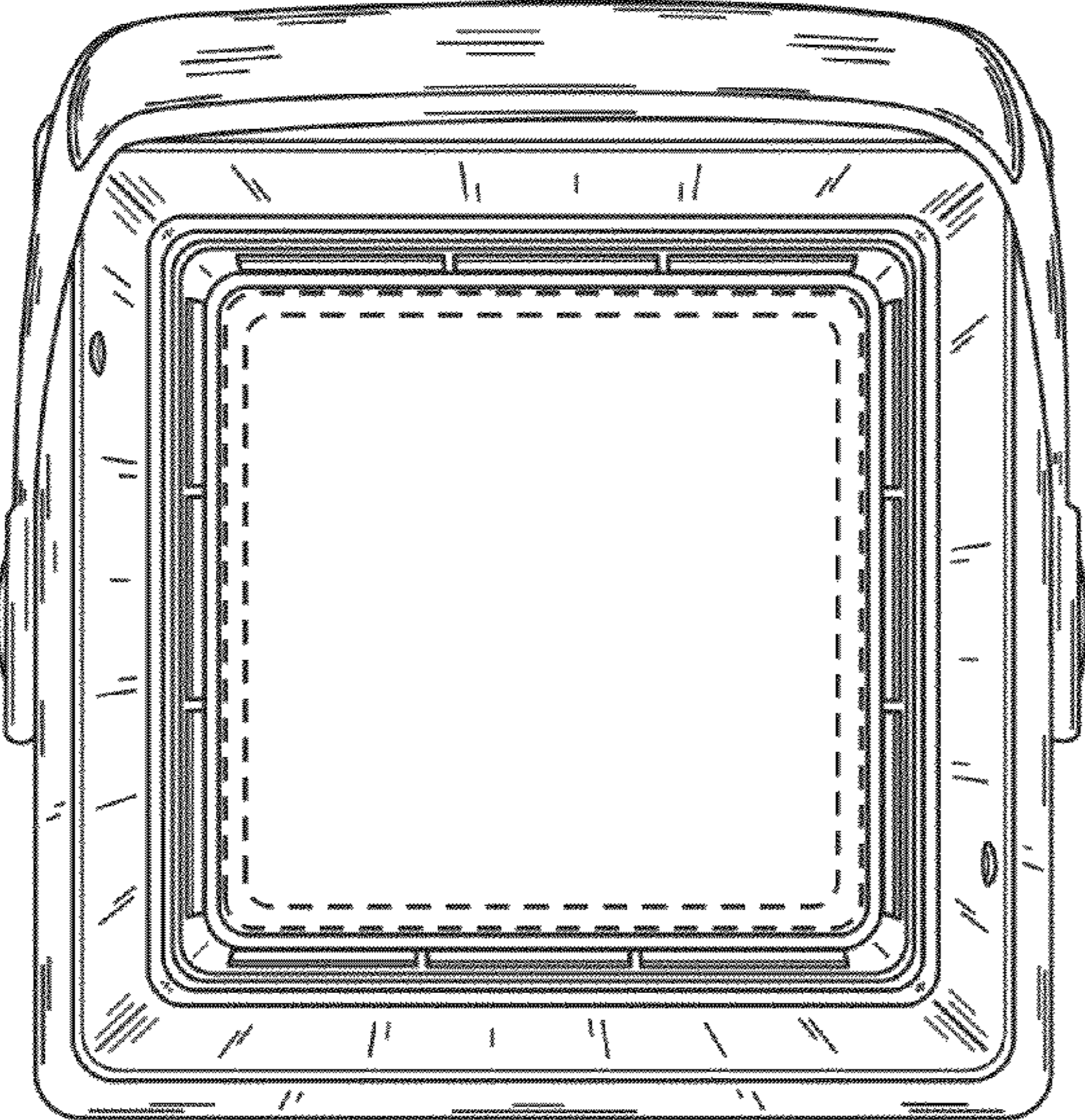


FIG. 5

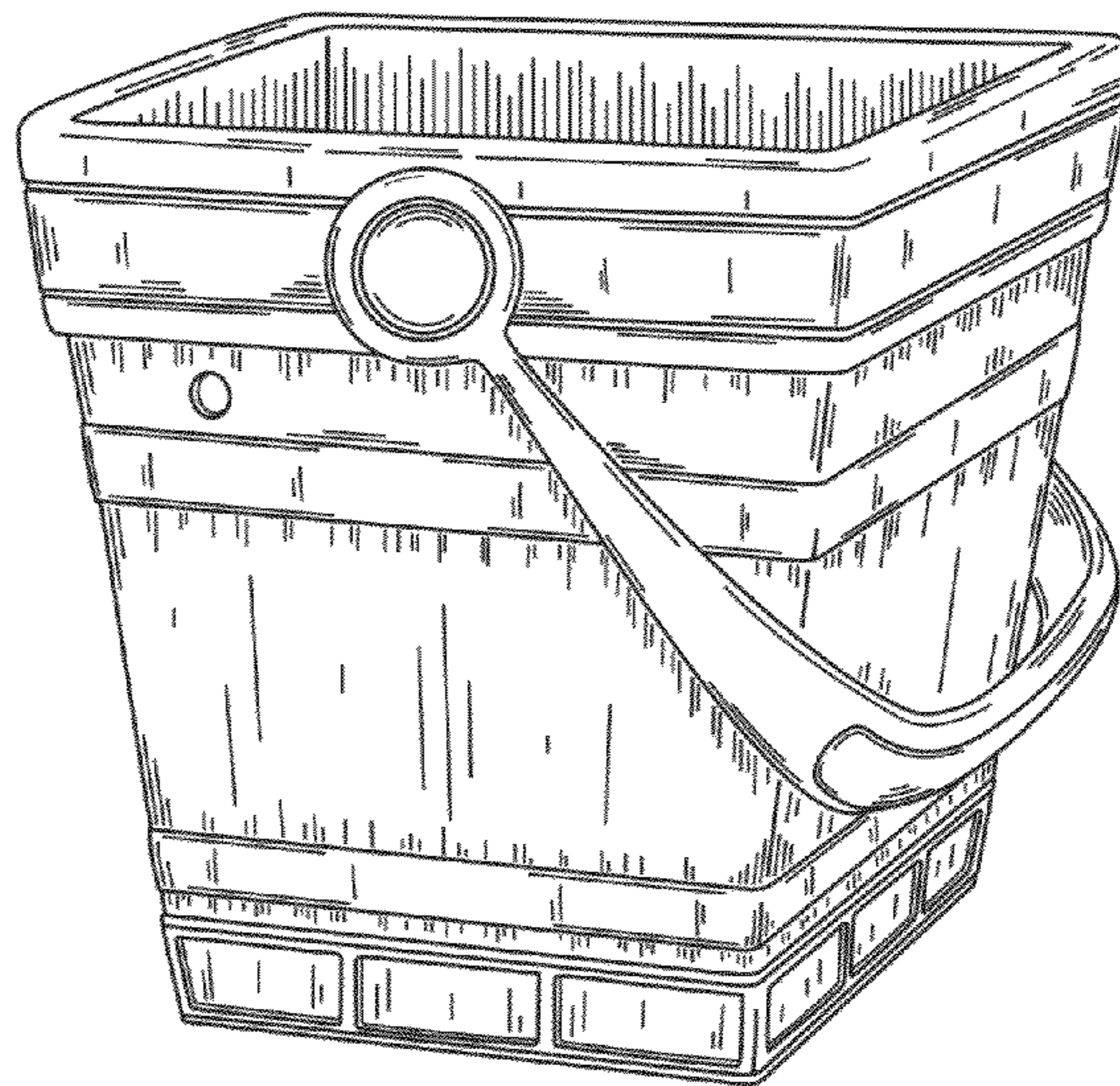


FIG. 6

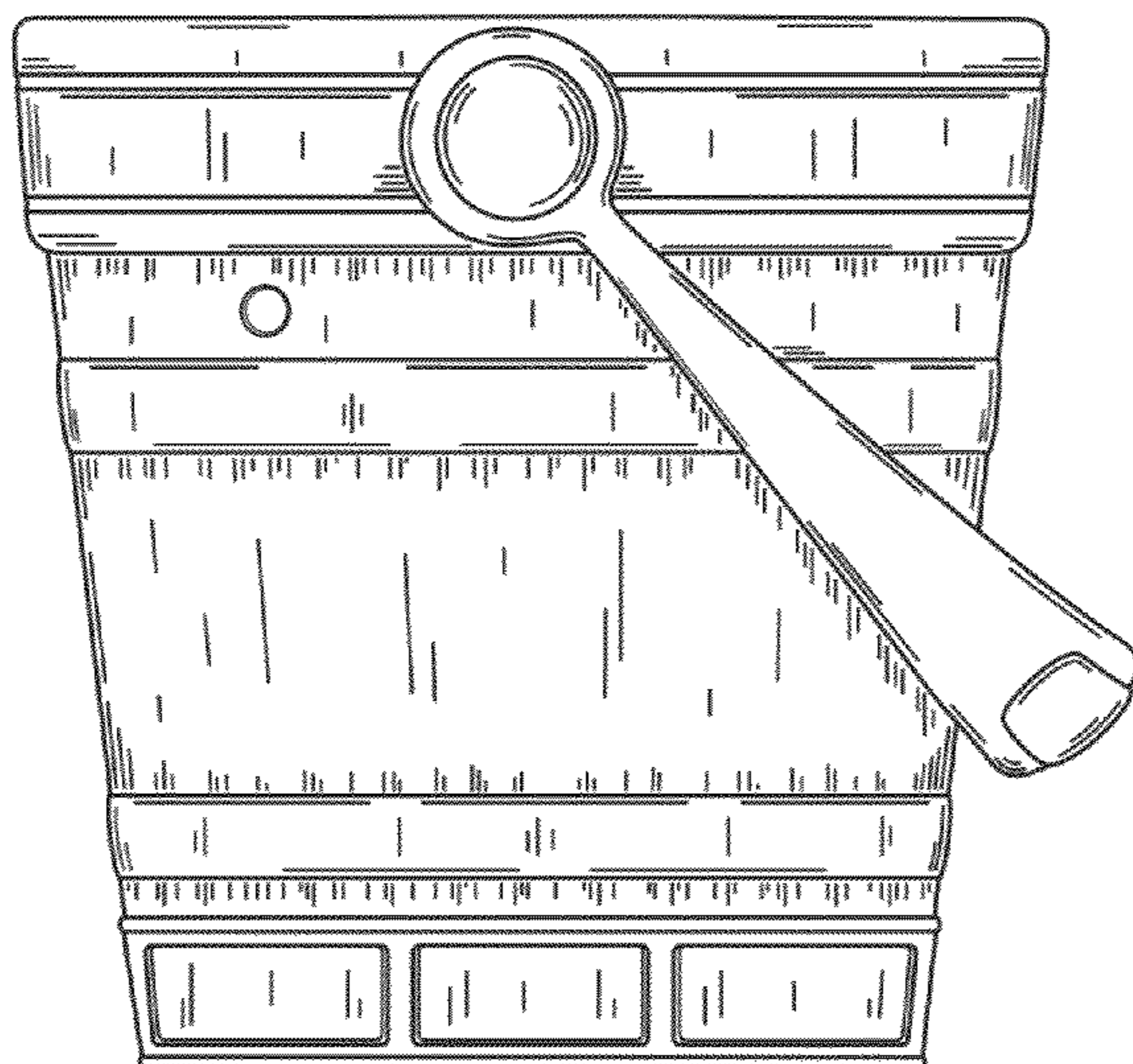


FIG. 7

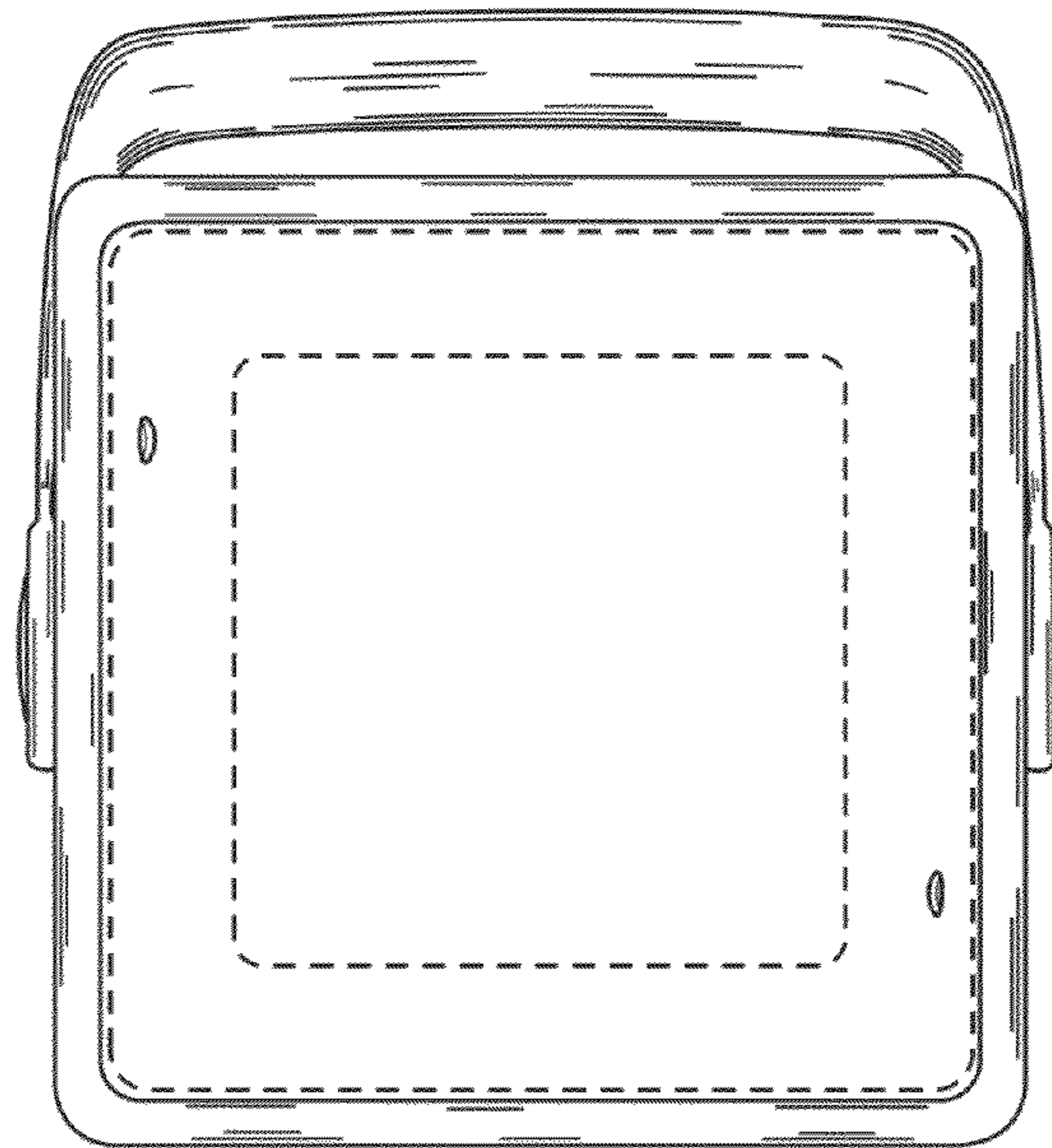


FIG. 8

