



US00D712143S

(12) **United States Design Patent**  
**Chehebar**

(10) **Patent No.:** **US D712,143 S**  
(45) **Date of Patent:** **\*\* Sep. 2, 2014**

- (54) **ROLLING LUGGAGE**
- (71) Applicant: **Dressage Collection**, New York, NY (US)
- (72) Inventor: **Charles Chehebar**, Brooklyn, NY (US)
- (73) Assignee: **Dressage Collection**, New York, NY (US)

6,964,420	B1 *	11/2005	Ghanizadeh et al. ....	280/47.131
D596,398	S	7/2009	Chu et al.	
D625,517	S *	10/2010	Rossi et al. ....	D3/272
D644,435	S *	9/2011	Weng .....	D3/279
D646,058	S	10/2011	Brusa	
D667,219	S	9/2012	Munson	
D678,678	S	3/2013	Santy et al.	
2004/0188205	A1 *	9/2004	Badaan .....	190/124
2011/0284334	A1 *	11/2011	Cheng .....	190/18 A

\* cited by examiner

(\*\*) Term: **14 Years**

*Primary Examiner* — Jennifer Rivard

(21) Appl. No.: **29/479,833**

(74) *Attorney, Agent, or Firm* — Amster, Rothstein & Ebenstein LLP

(22) Filed: **Jan. 21, 2014**

(51) **LOC (10) Cl.** ..... **03-01**

(57) **CLAIM**

(52) **U.S. Cl.**  
USPC ..... **D3/289; D3/279**

The ornamental design for rolling luggage, as shown and described.

(58) **Field of Classification Search**  
USPC ..... D3/272, 276, 278, 279, 273, 274, 281,  
D3/289, 321; 190/100–127, 903, 18 A, 1,  
190/15.1, 19–40

**DESCRIPTION**

See application file for complete search history.

FIG. 1 is a perspective view of an embodiment of luggage according to our new design;  
FIG. 2 is a front elevation view thereof;  
FIG. 3 is a rear elevation view thereof;  
FIG. 4 is a left side view thereof;  
FIG. 5 is a right side view thereof;  
FIG. 6 is a top view thereof; and,  
FIG. 7 is a bottom view thereof.

The short broken lines shown in the drawings represent claimed stitching while the long broken lines represent unclaimed portions of the rolling luggage and form no part of the claimed design.

(56) **References Cited**

**U.S. PATENT DOCUMENTS**

1,708,112	A *	4/1929	Wheary .....	190/13 R
D143,179	S	12/1945	Barton	
D269,739	S	7/1983	Stark	
D269,740	S	7/1983	Stark	
D351,502	S *	10/1994	Weir et al. ....	D3/272
D371,907	S	7/1996	Cyr et al.	
D378,164	S *	2/1997	Lee .....	D3/276
D457,724	S *	5/2002	Och .....	D3/279
D498,361	S *	11/2004	Badaan .....	D3/279

**1 Claim, 6 Drawing Sheets**

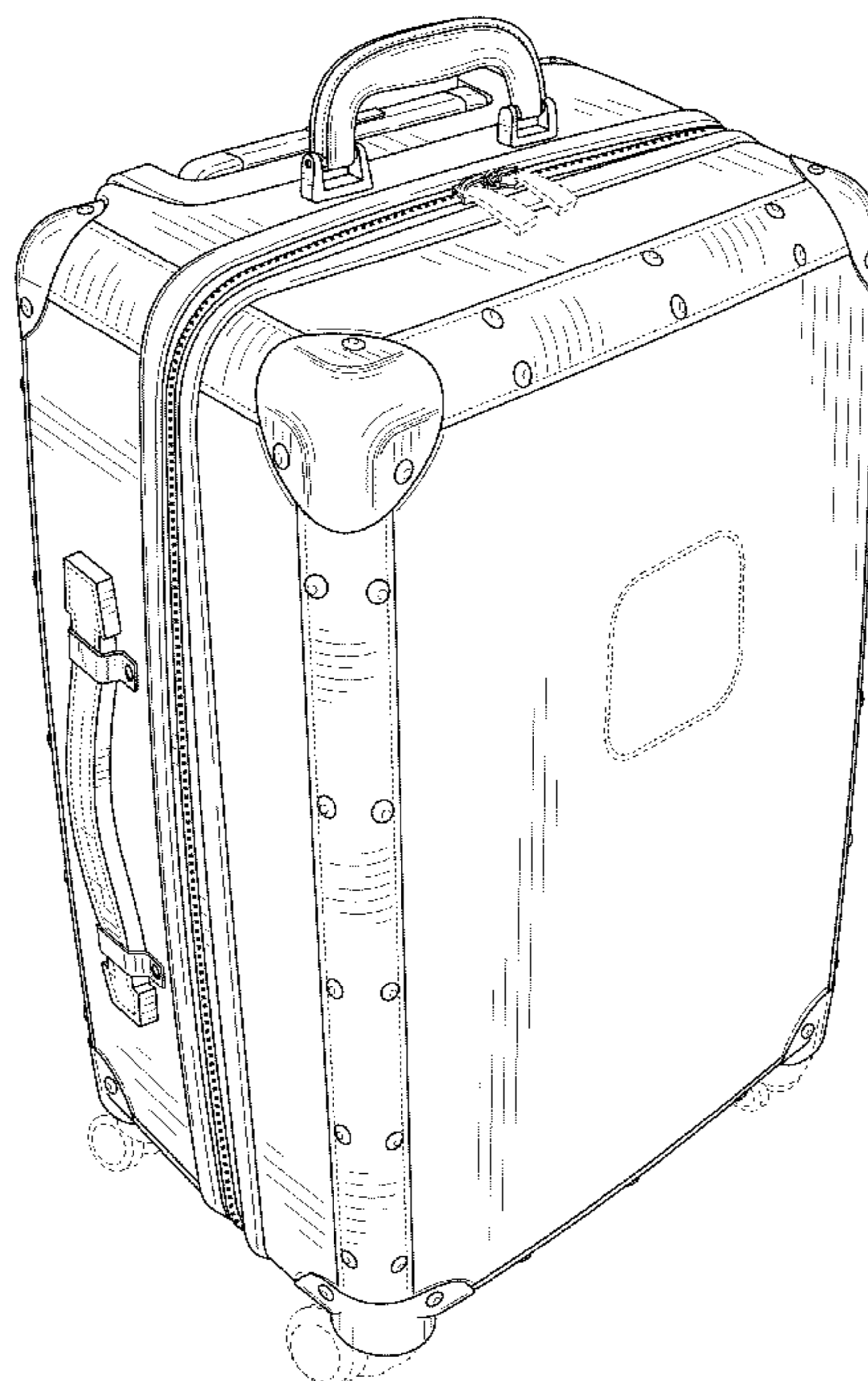




FIG. 1

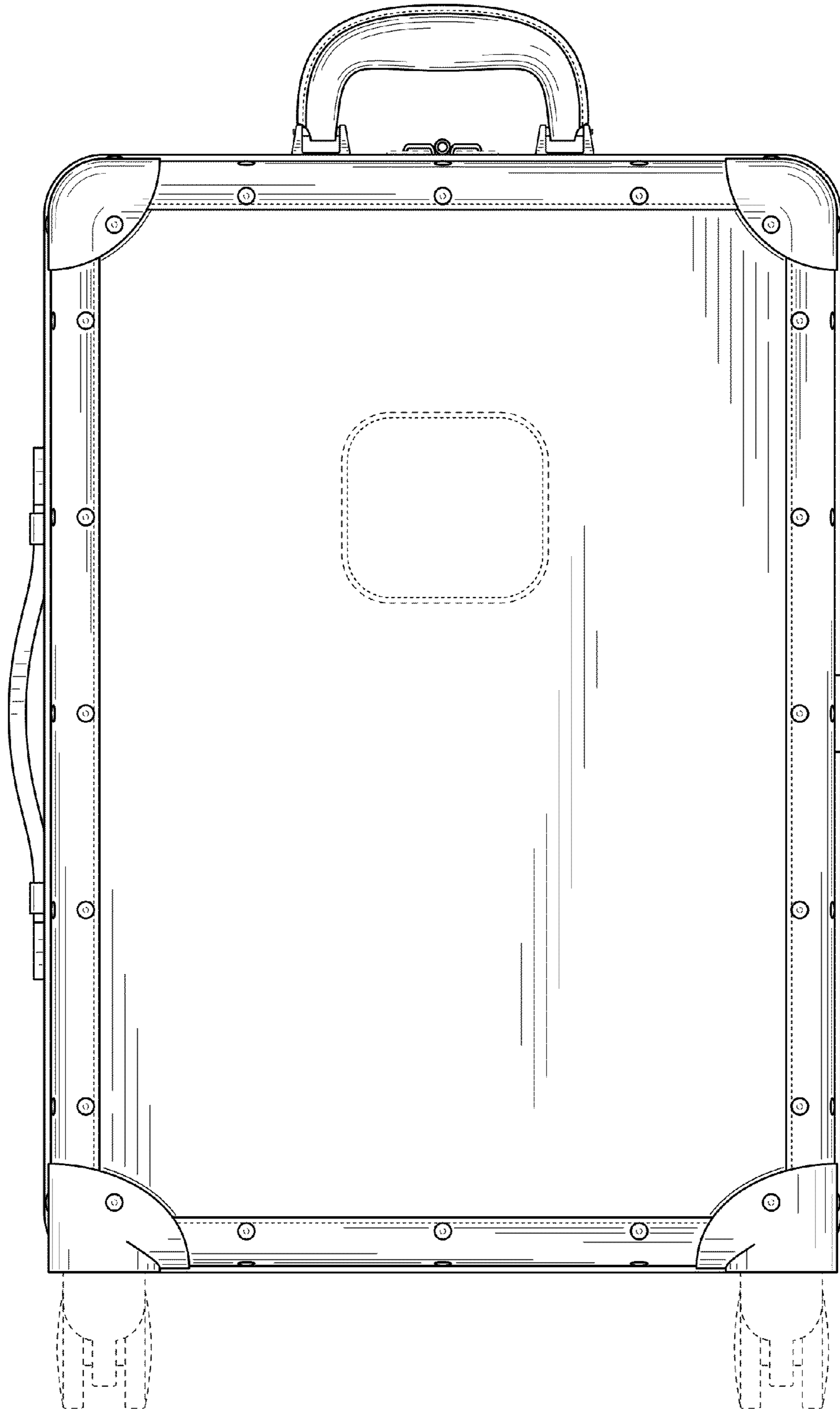


FIG. 2

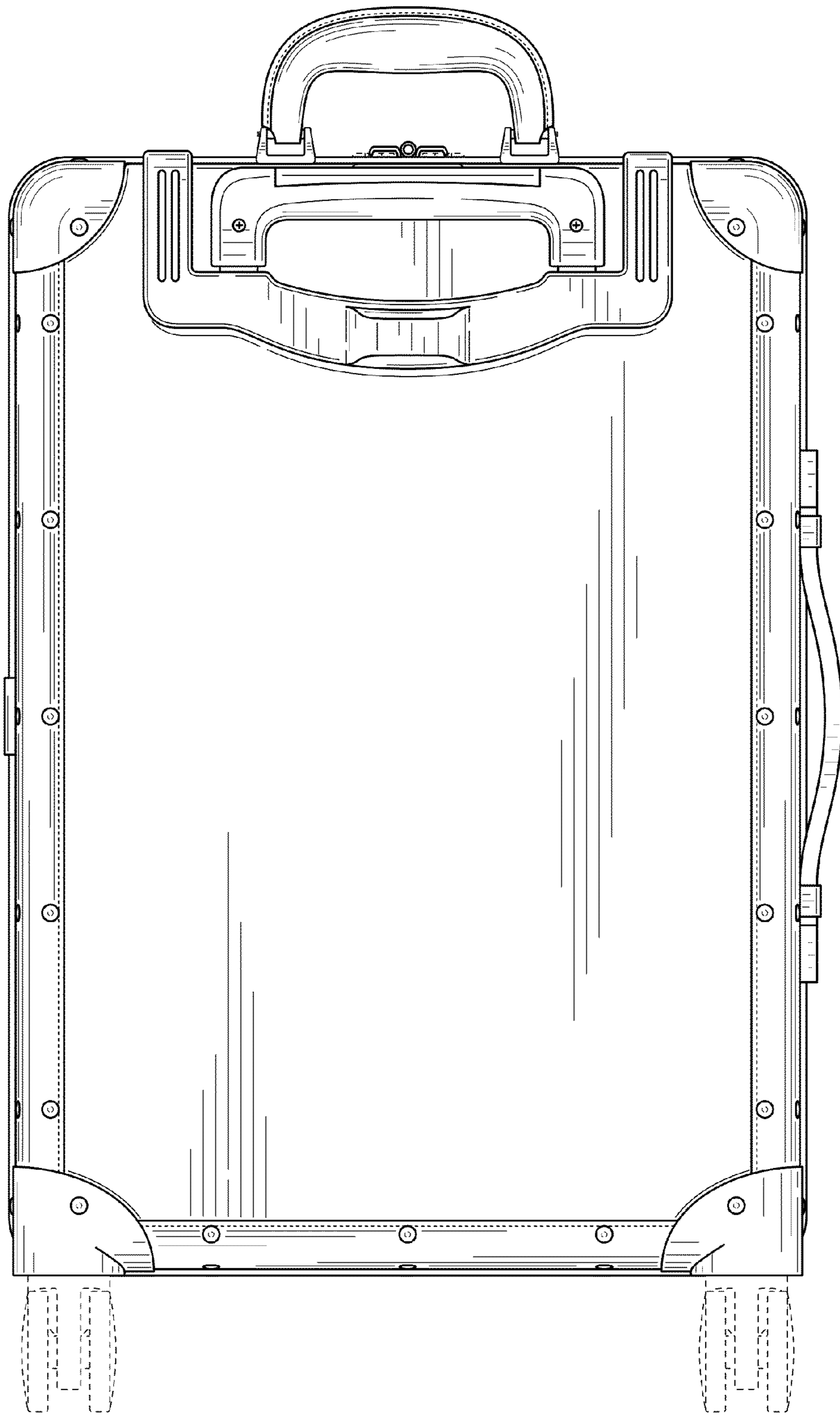


FIG. 3

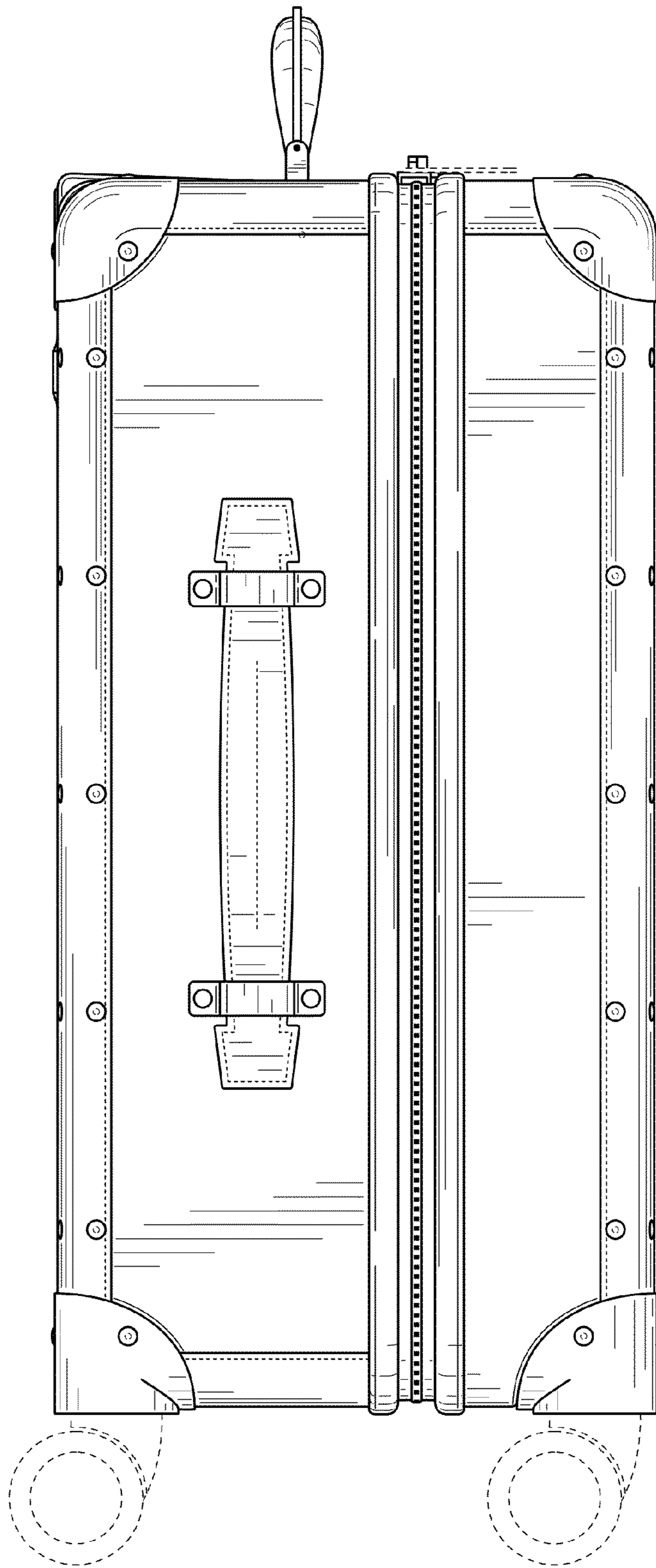


FIG. 4

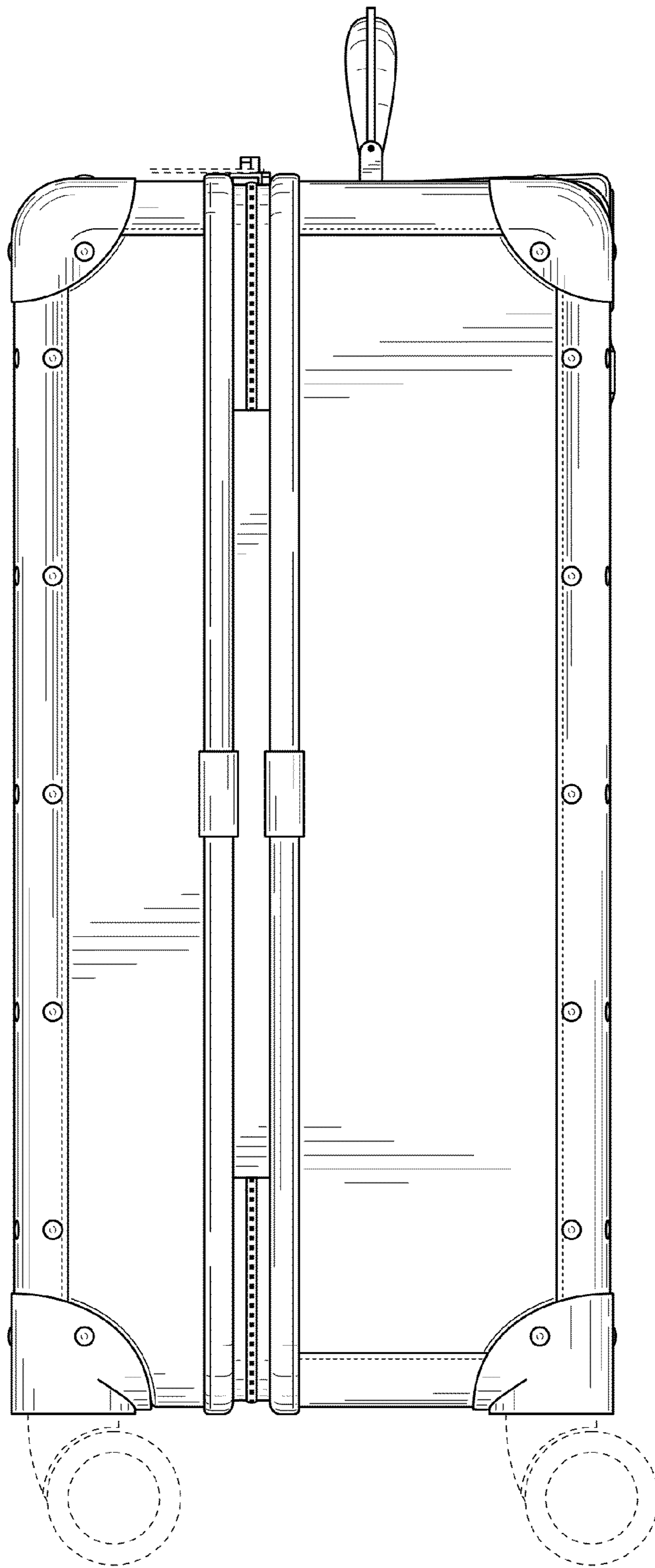


FIG. 5

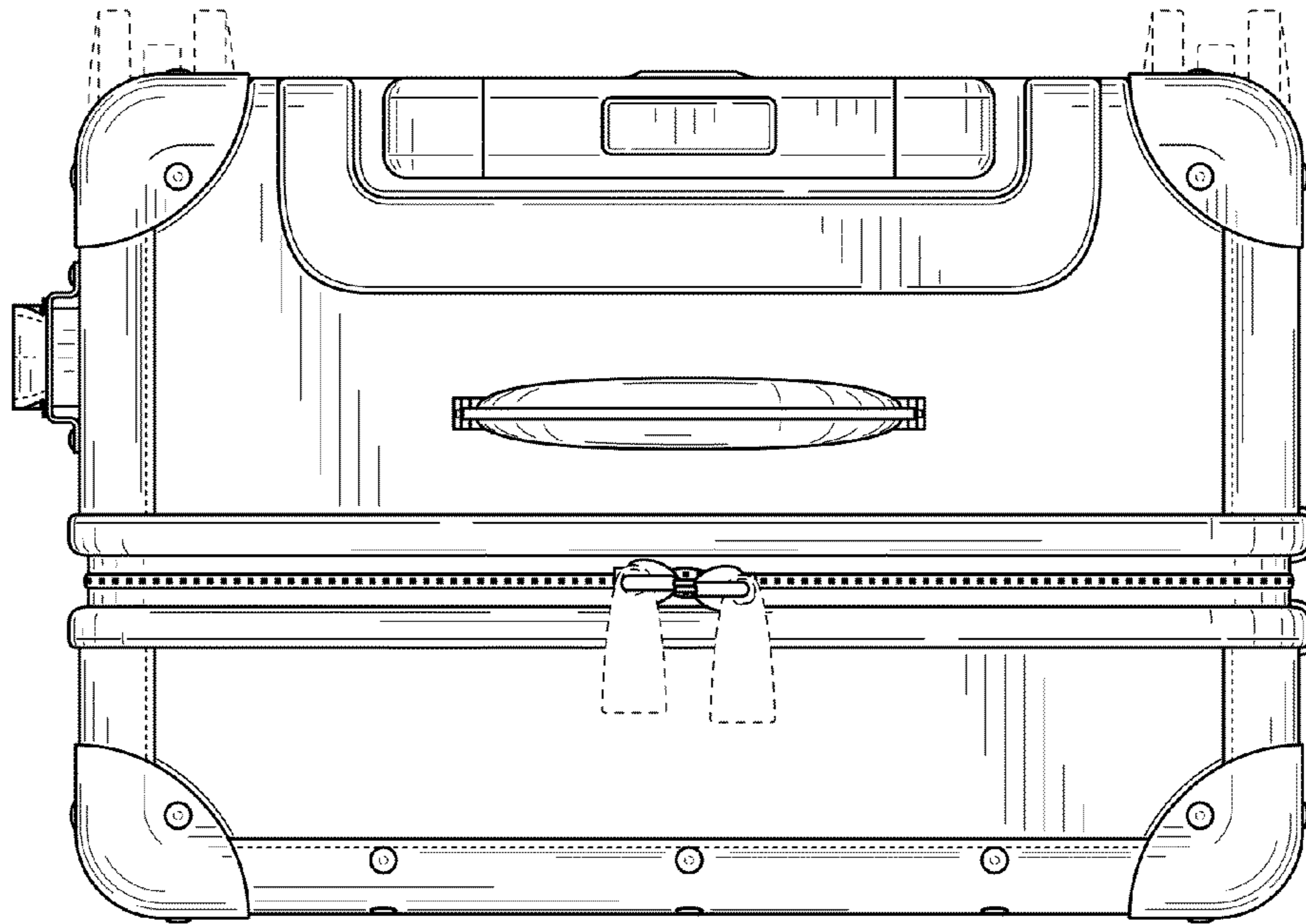


FIG. 6

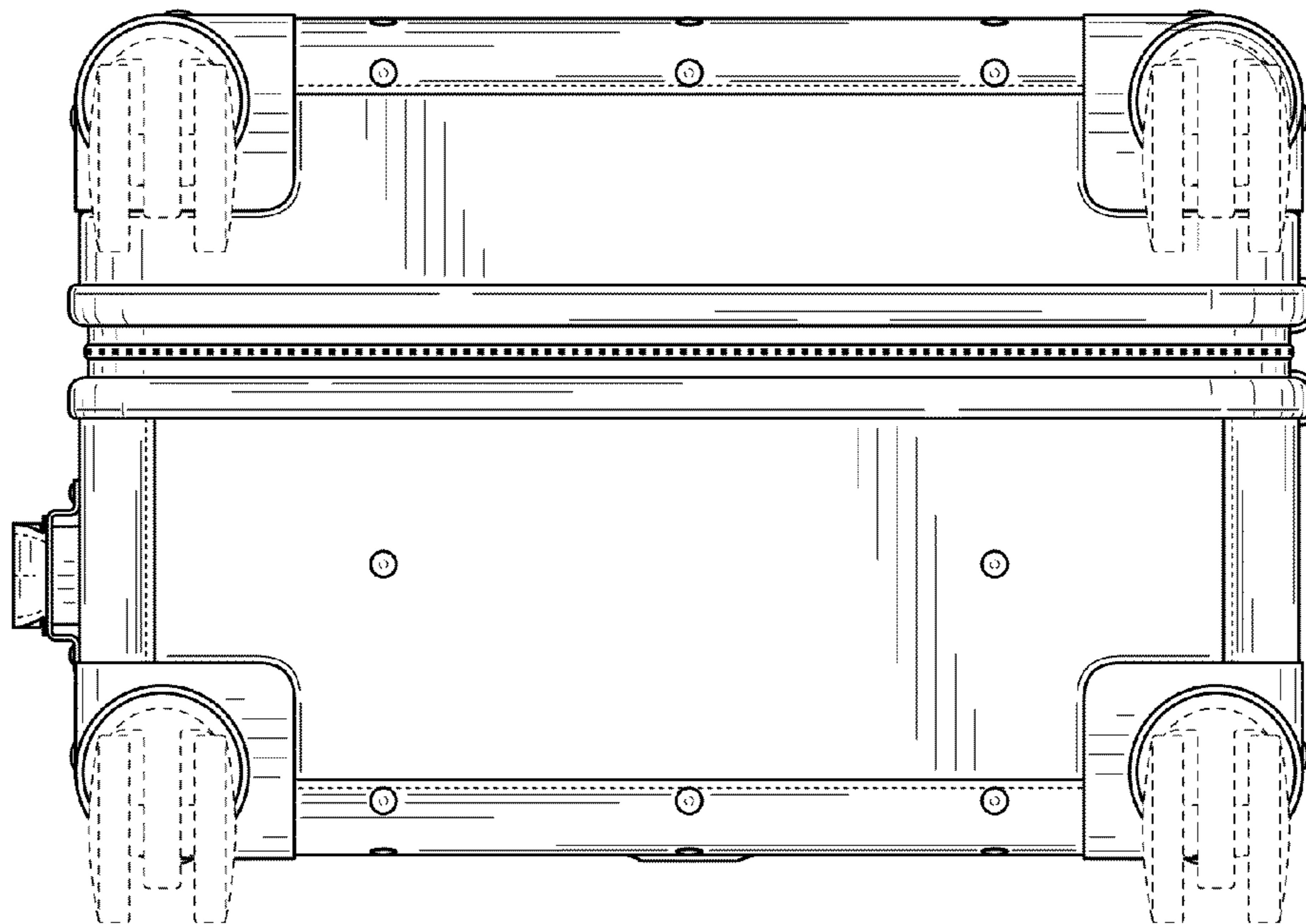


FIG. 7