



US00D712139S

(12) **United States Design Patent**
Klüsener

(10) **Patent No.:** **US D712,139 S**
(45) **Date of Patent:** **** Sep. 2, 2014**

(54) **PURSE**

Primary Examiner — Holly Baynham

(71) Applicant: **Martin Klüsener**, Cologne (DE)

(72) Inventor: **Martin Klüsener**, Cologne (DE)

(**) Term: **14 Years**

(21) Appl. No.: **29/453,337**

(22) Filed: **Apr. 29, 2013**

(51) **LOC (10) Cl.** **03-01**

(52) **U.S. Cl.**
USPC **D3/232**

(58) **Field of Classification Search**
USPC D3/232–233, 240–243, 245–246;
150/100, 103–110, 113–114, 117–119
See application file for complete search history.

(56) **References Cited**

U.S. PATENT DOCUMENTS

D249,593 S * 9/1978 Glaser D3/245
D283,938 S * 5/1986 Strongwater D99/34

* cited by examiner

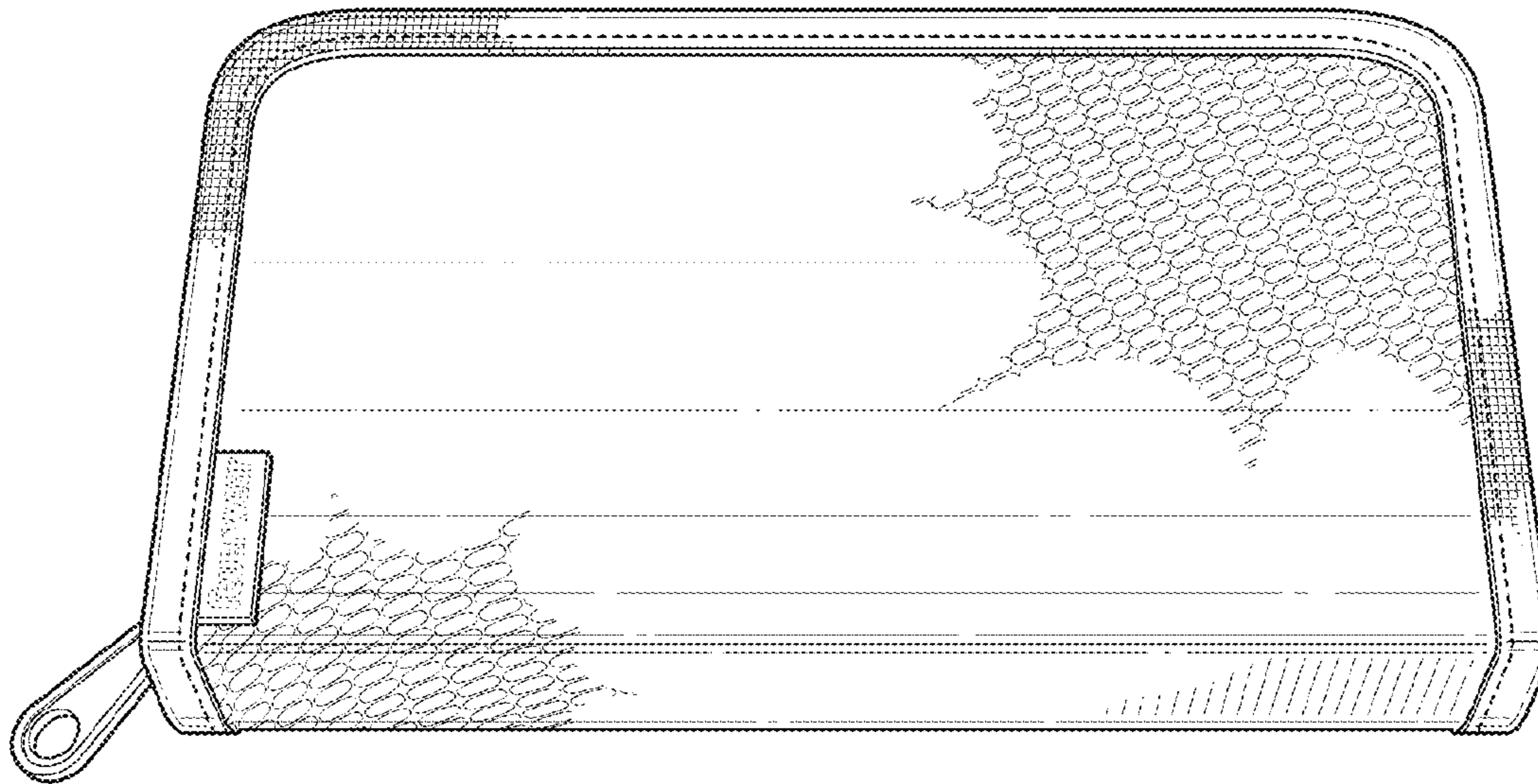
(57) **CLAIM**

The ornamental design for a purse, as shown and described.

DESCRIPTION

FIG. 1 is a front perspective view of a purse showing my new design in an open disposition;
FIG. 2 is a back side perspective view thereof in an open disposition;
FIG. 3 is a top plan view thereof in an open disposition;
FIG. 4 is a bottom plan view thereof in an open disposition;
FIG. 5 is a right side elevational view thereof in an open disposition;
FIG. 6 is a left side elevational view thereof;
FIG. 7 is a front side elevational view; and,
FIG. 8 is a back side elevational view.
The broken lines showing stitching are for the purposes of illustrating environment and form no part of the claimed design.

1 Claim, 4 Drawing Sheets



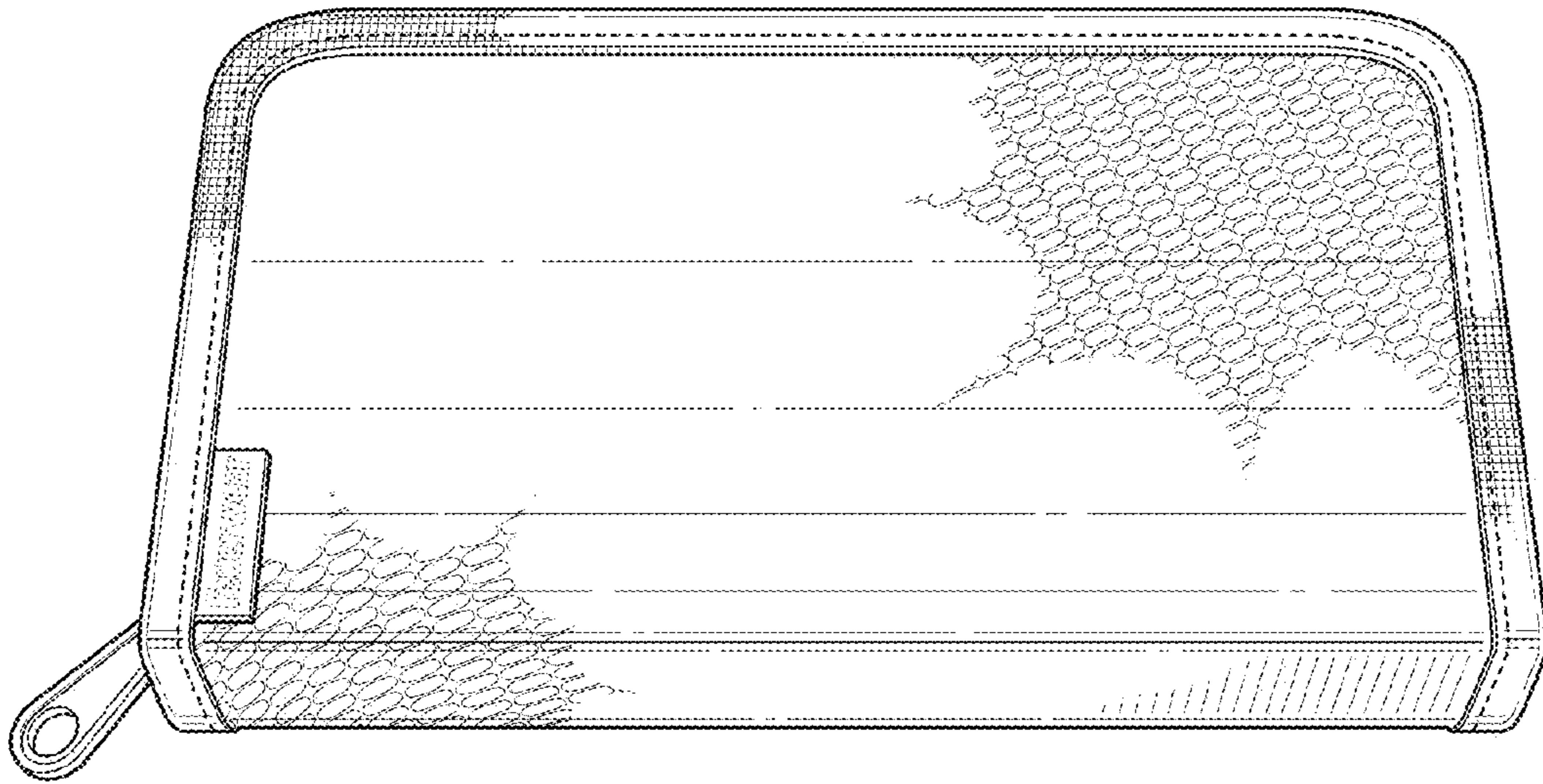


FIG. 1

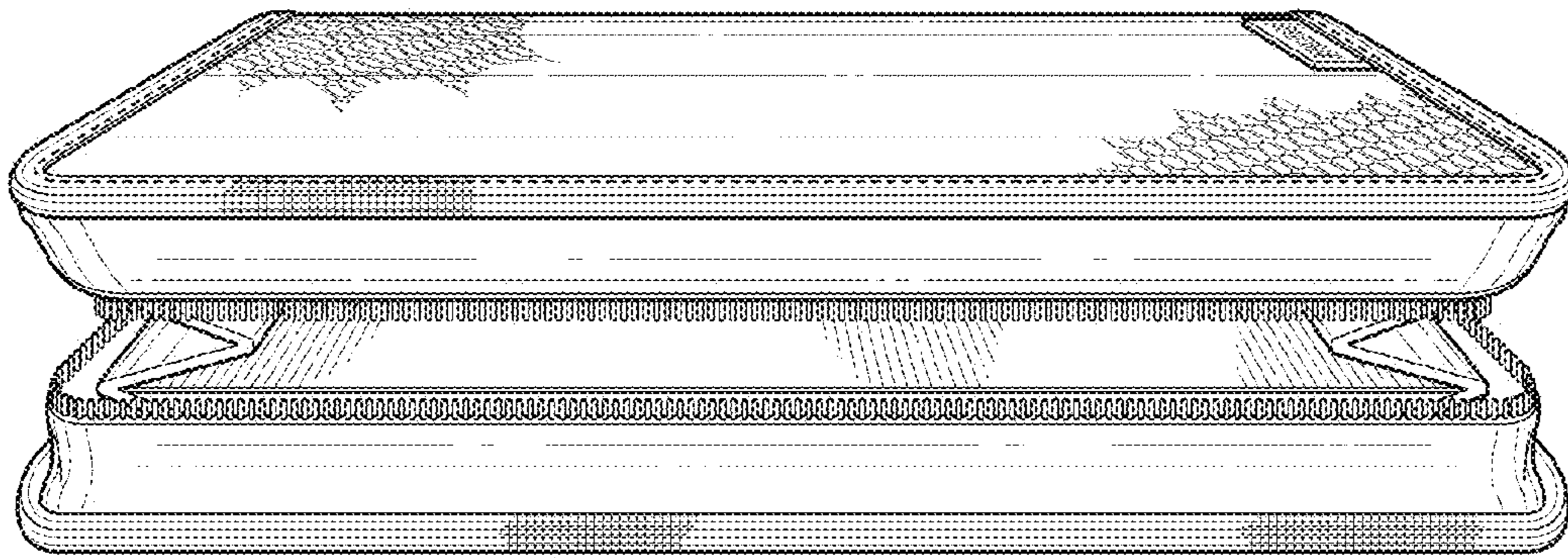


FIG. 2

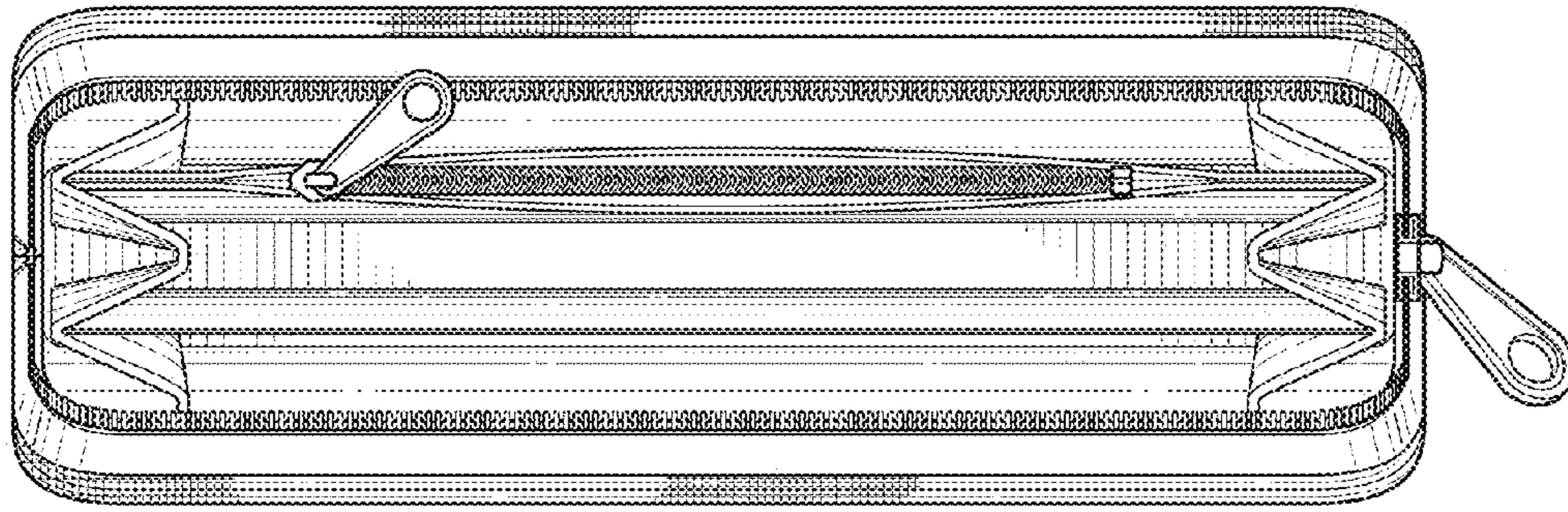


FIG. 3

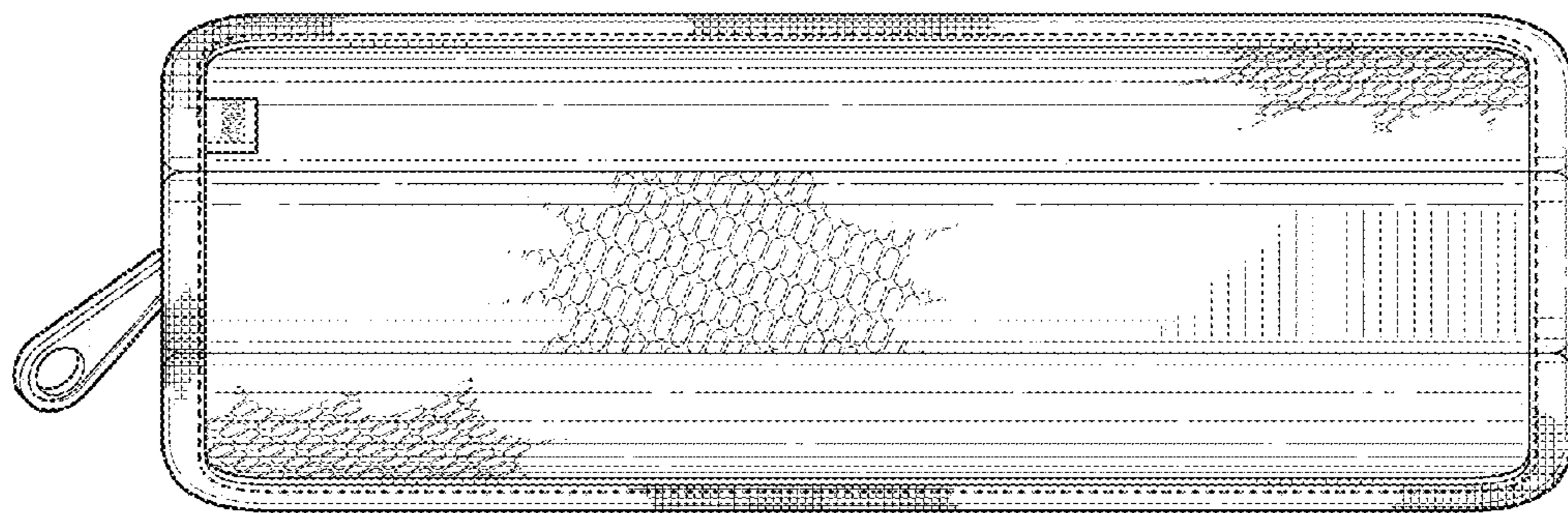


FIG. 4

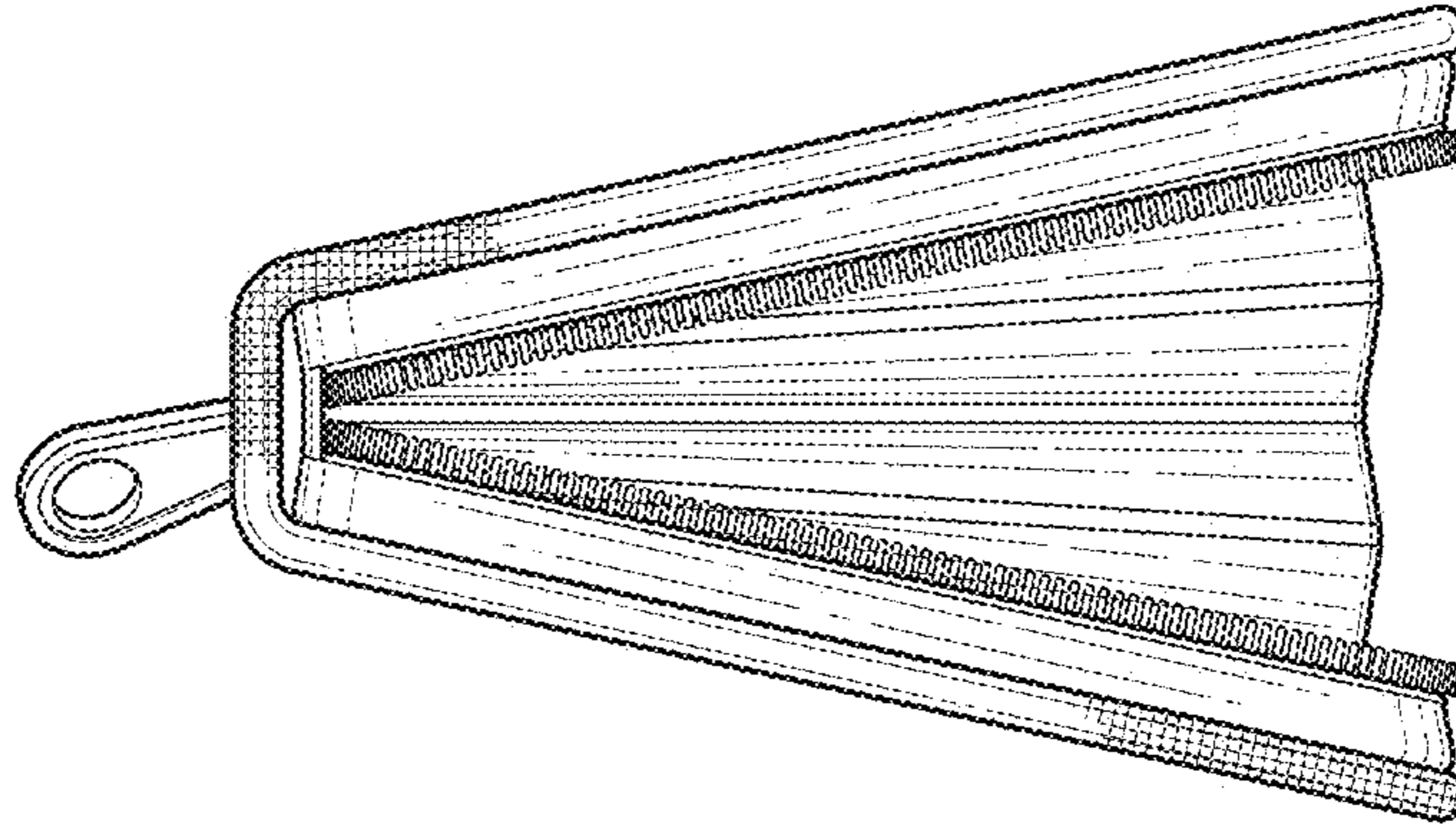


FIG. 5

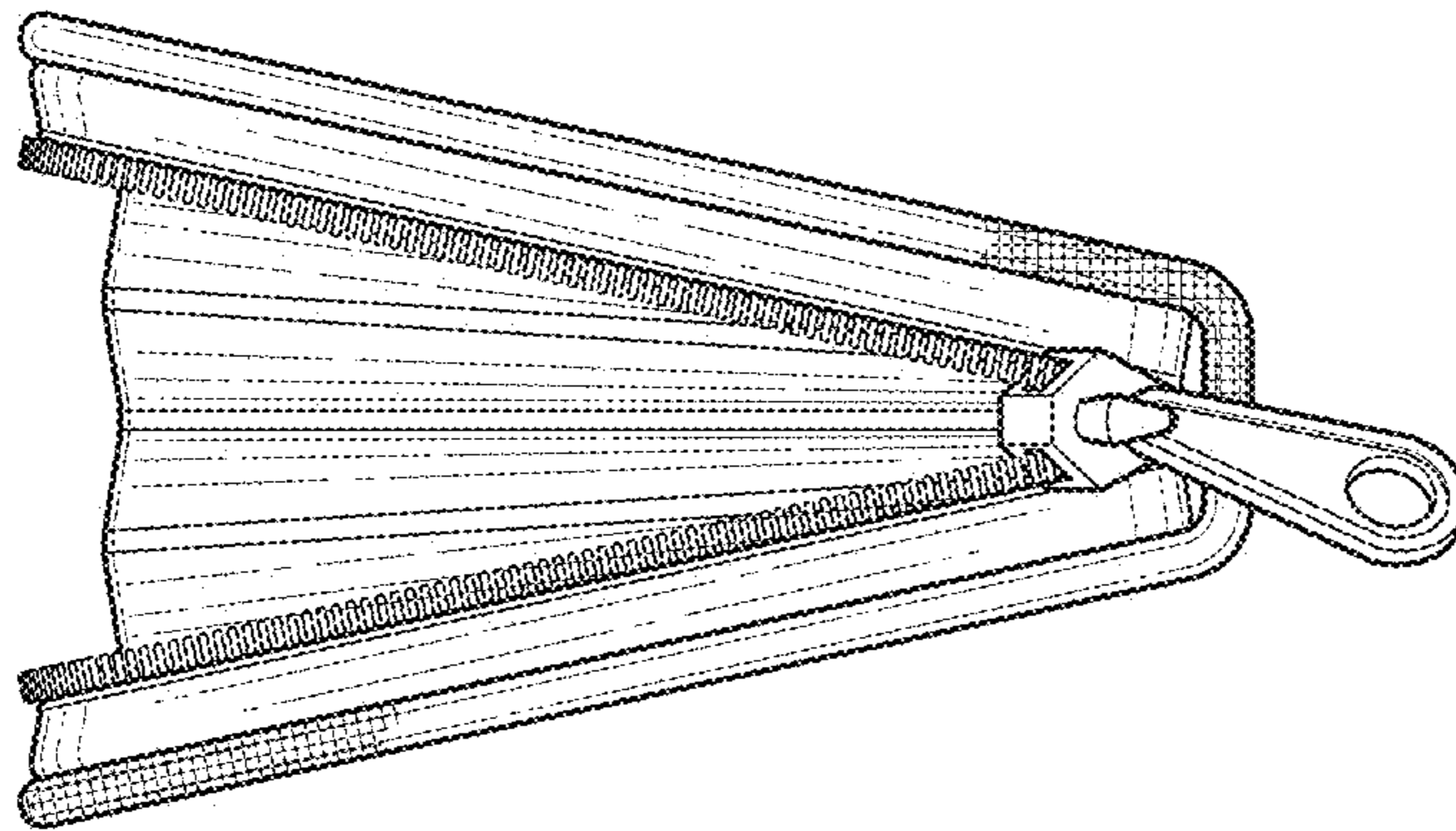


FIG. 6

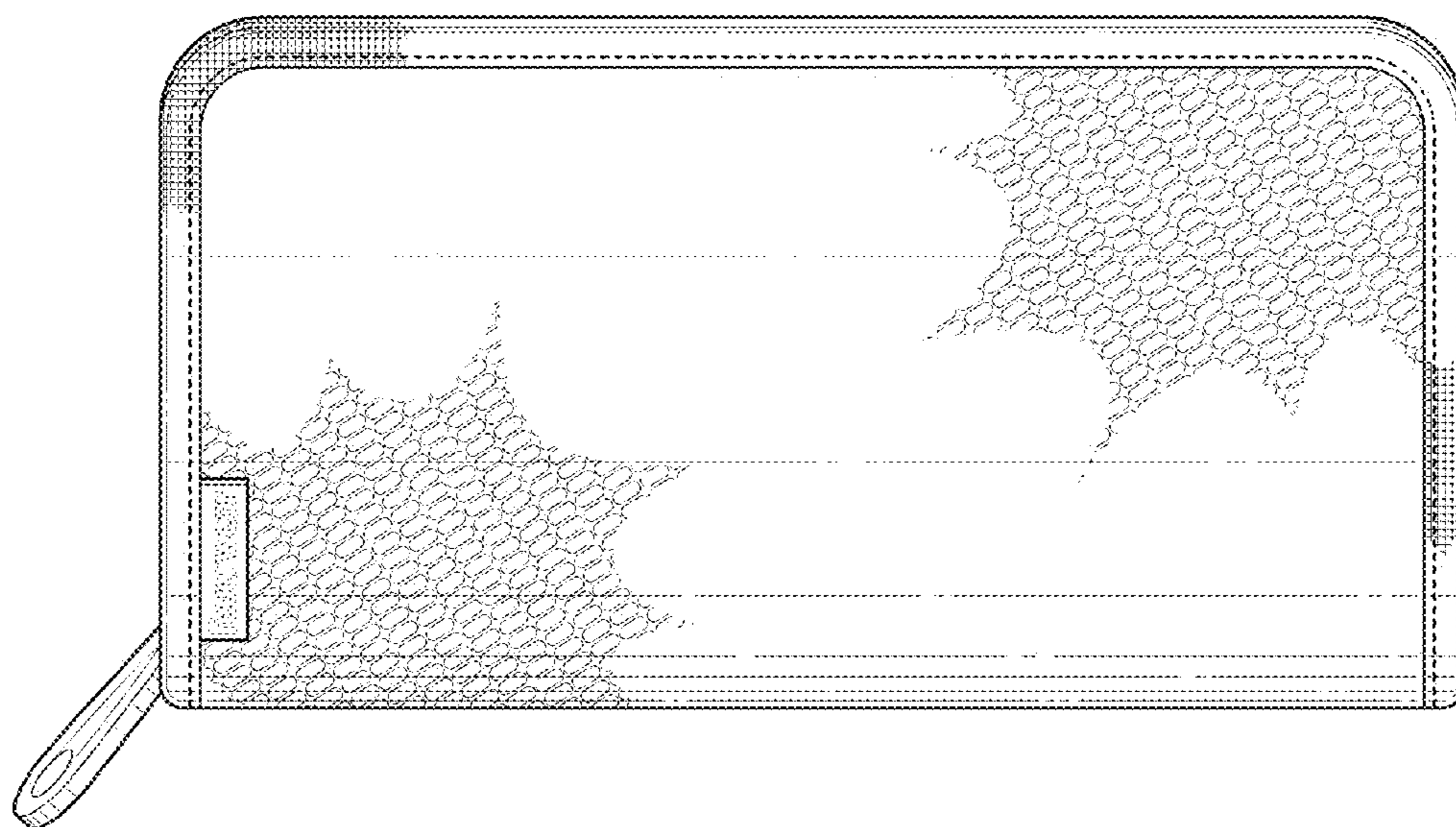


FIG. 7

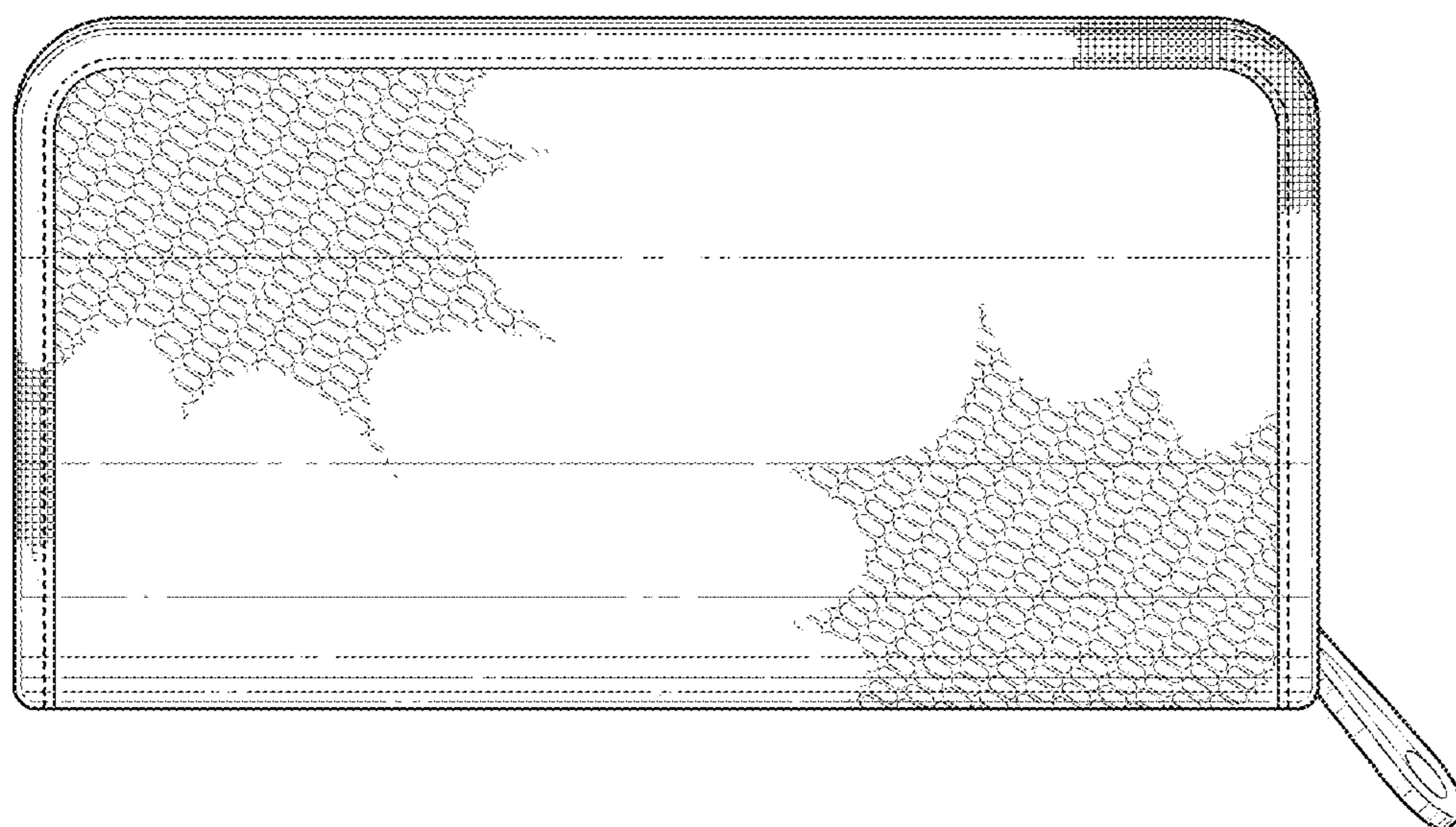


FIG. 8