



US00D712137S

(12) **United States Design Patent**
Hsu

(10) **Patent No.:** **US D712,137 S**
(45) **Date of Patent:** **** Sep. 2, 2014**

(54) **TOOL BOX**

(71) Applicant: **Shao-Hsien Hsu**, Taichung (TW)

(72) Inventor: **Shao-Hsien Hsu**, Taichung (TW)

(**) Term: **14 Years**

(21) Appl. No.: **29/448,144**

(22) Filed: **Mar. 10, 2013**

(51) **LOC (10) Cl.** **03-01**

(52) **U.S. Cl.**
USPC **D3/228; D3/905**

(58) **Field of Classification Search**
USPC D3/273, 276, 279–284, 288, 291, 292,
D3/293, 294, 295, 297, 905, 215, 228;
206/372–379; 220/4.01
See application file for complete search history.

(56) **References Cited**

U.S. PATENT DOCUMENTS

D387,898 S * 12/1997 Ronzani D3/215
D516,309 S * 3/2006 Richardson et al. D3/273

D555,902 S * 11/2007 Pendergraph et al. D3/273
D569,616 S * 5/2008 Lin D3/273
D668,866 S * 10/2012 Meng D3/273

* cited by examiner

Primary Examiner — Catheri Oliver-Garcia

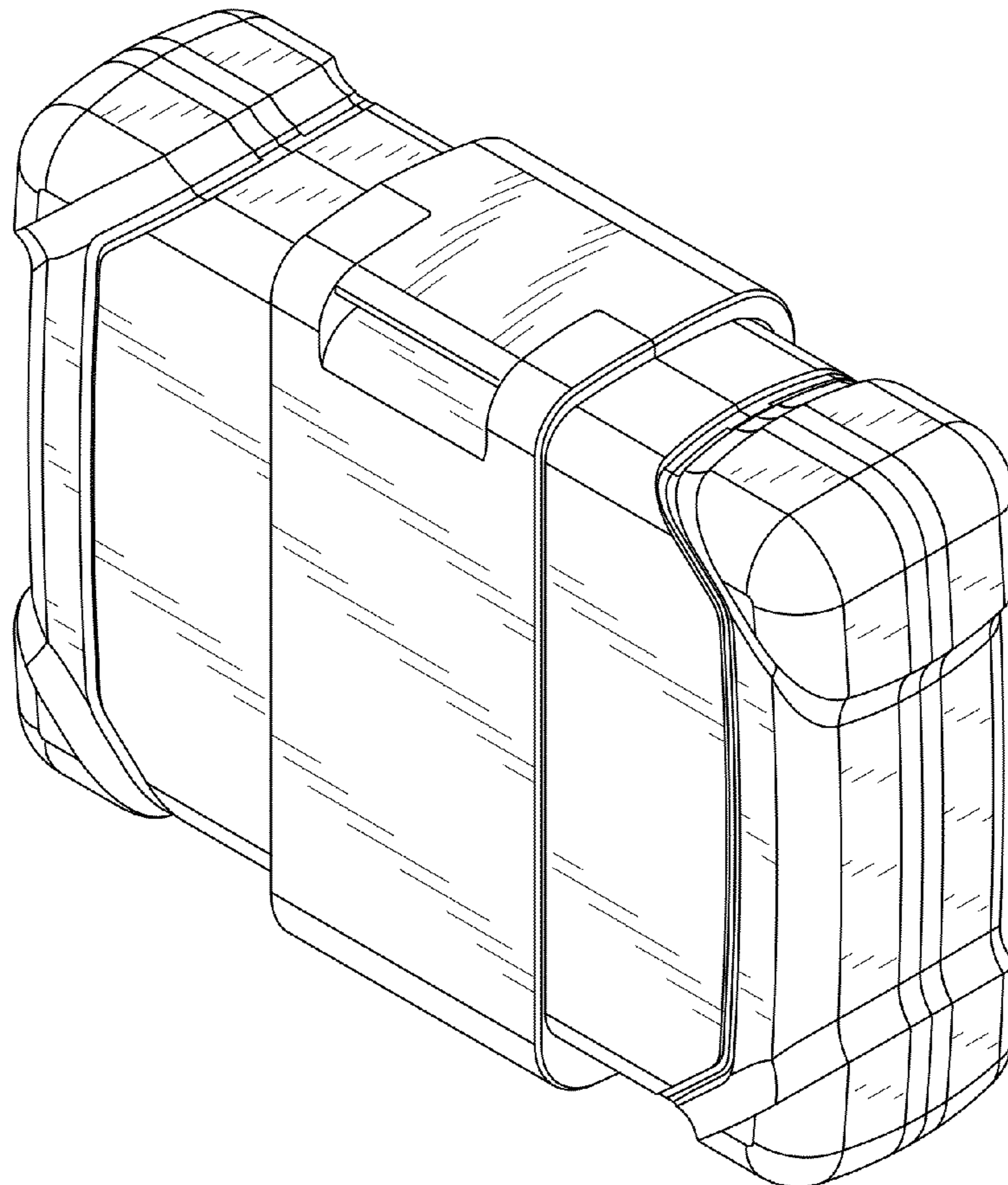
(57) **CLAIM**

The ornamental design for a tool box, as shown and described.

DESCRIPTION

FIG. 1 is a perspective view of a tool box showing my new design;
FIG. 2 is a front elevational view thereof;
FIG. 3 is a rear elevational view thereof;
FIG. 4 is a left side view thereof;
FIG. 5 is a right side view thereof;
FIG. 6 is a top plan view thereof; and,
FIG. 7 is a bottom plan view thereof.

1 Claim, 5 Drawing Sheets



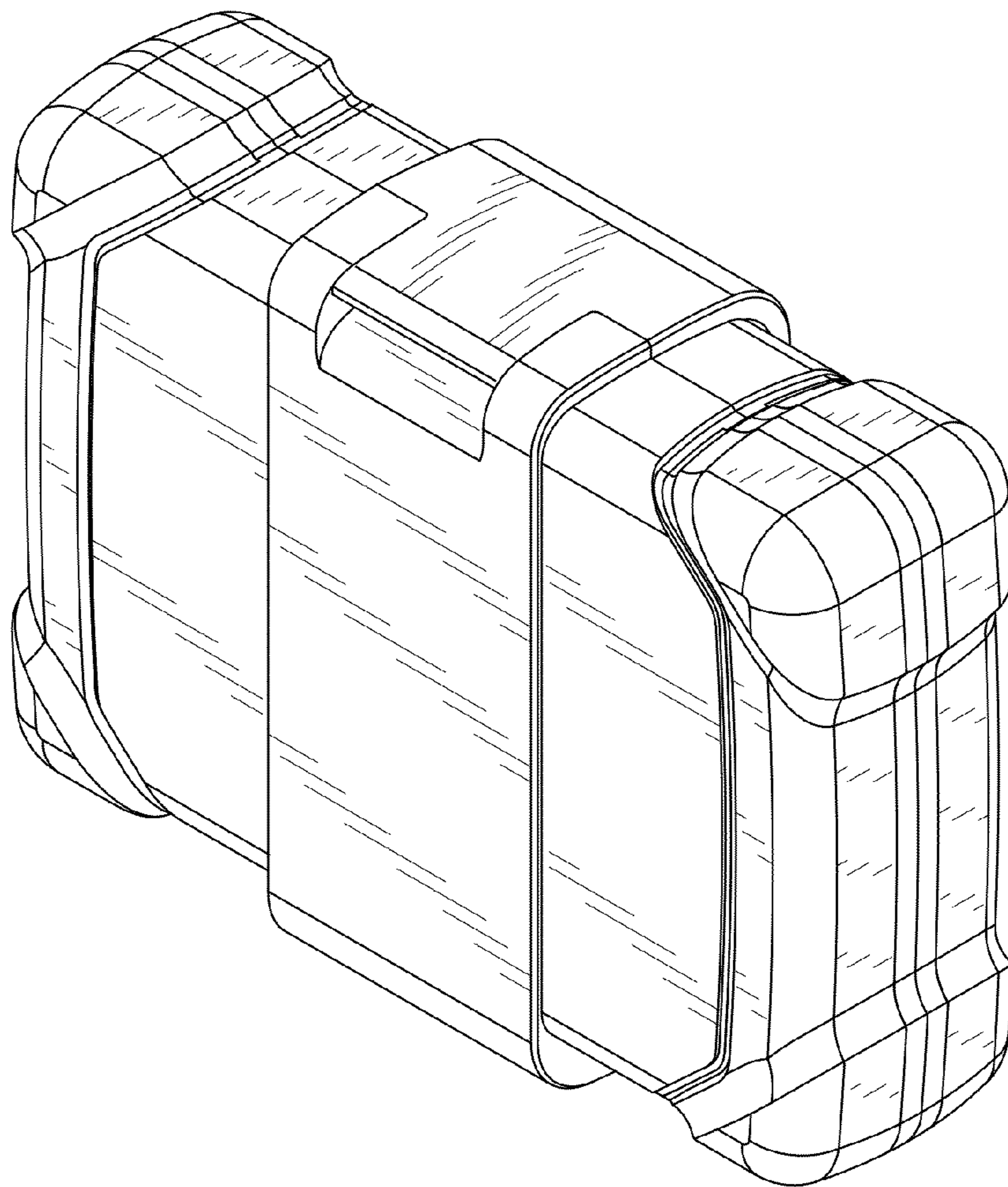


FIG.1

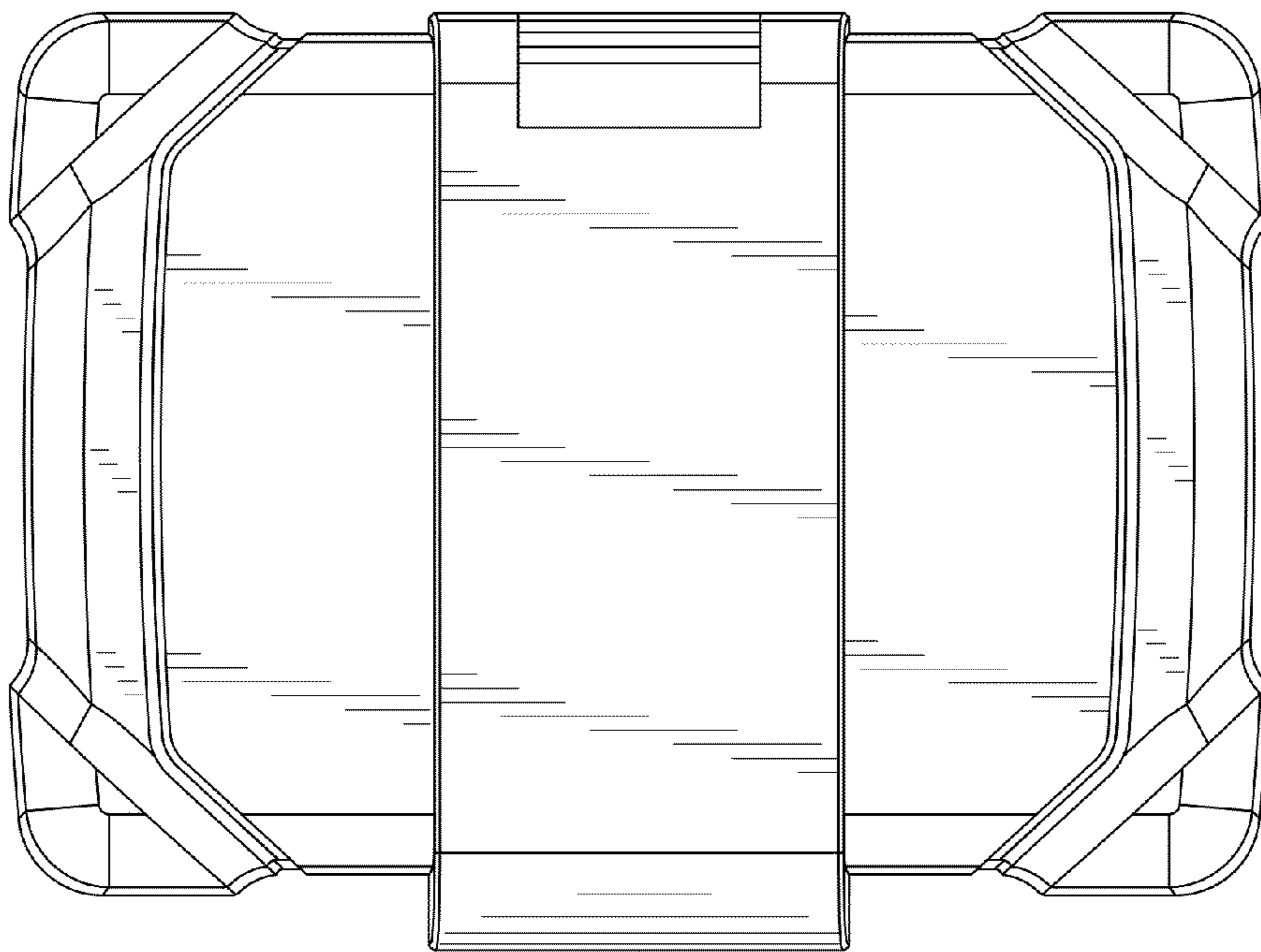


FIG.2

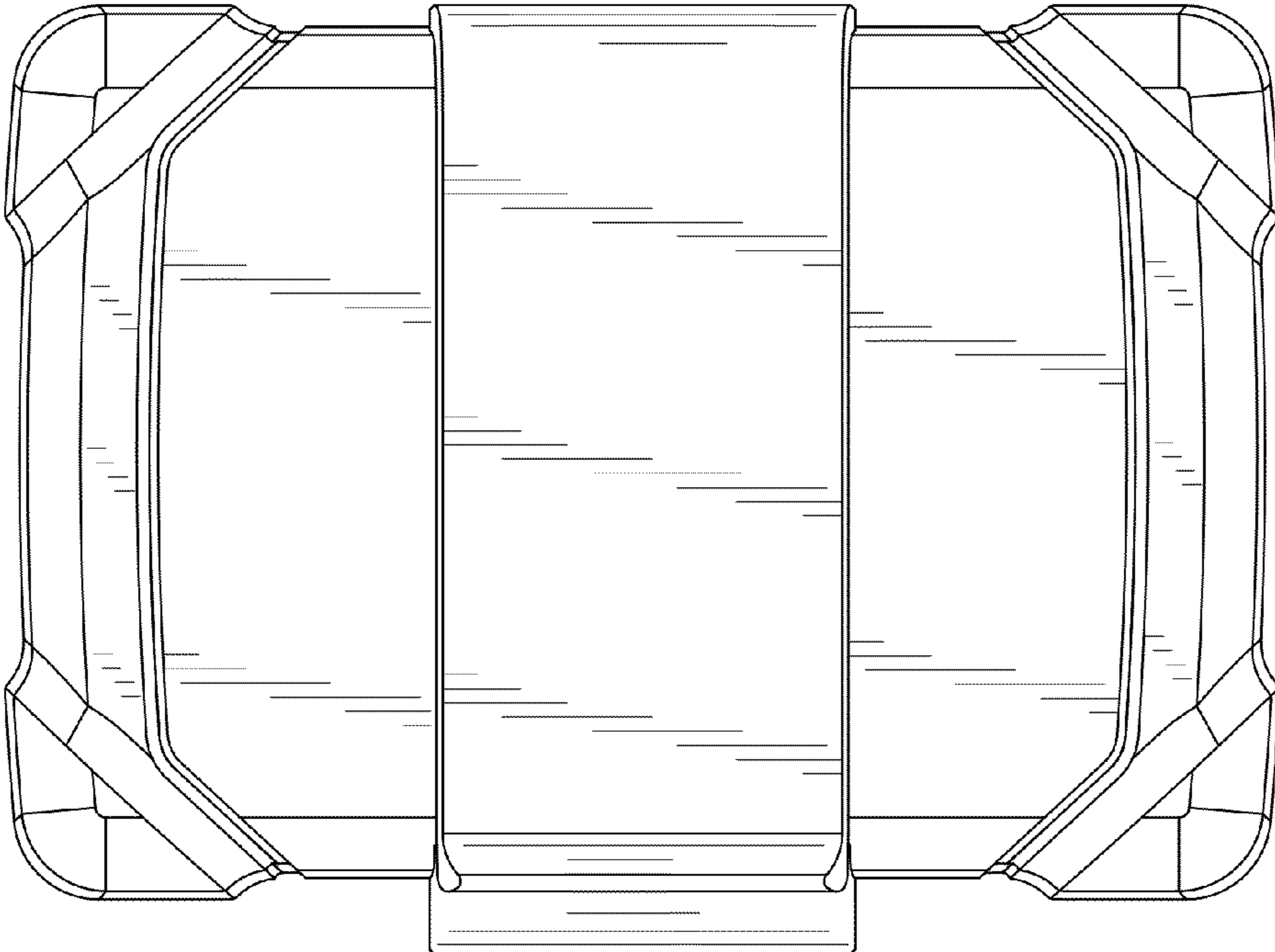


FIG.3

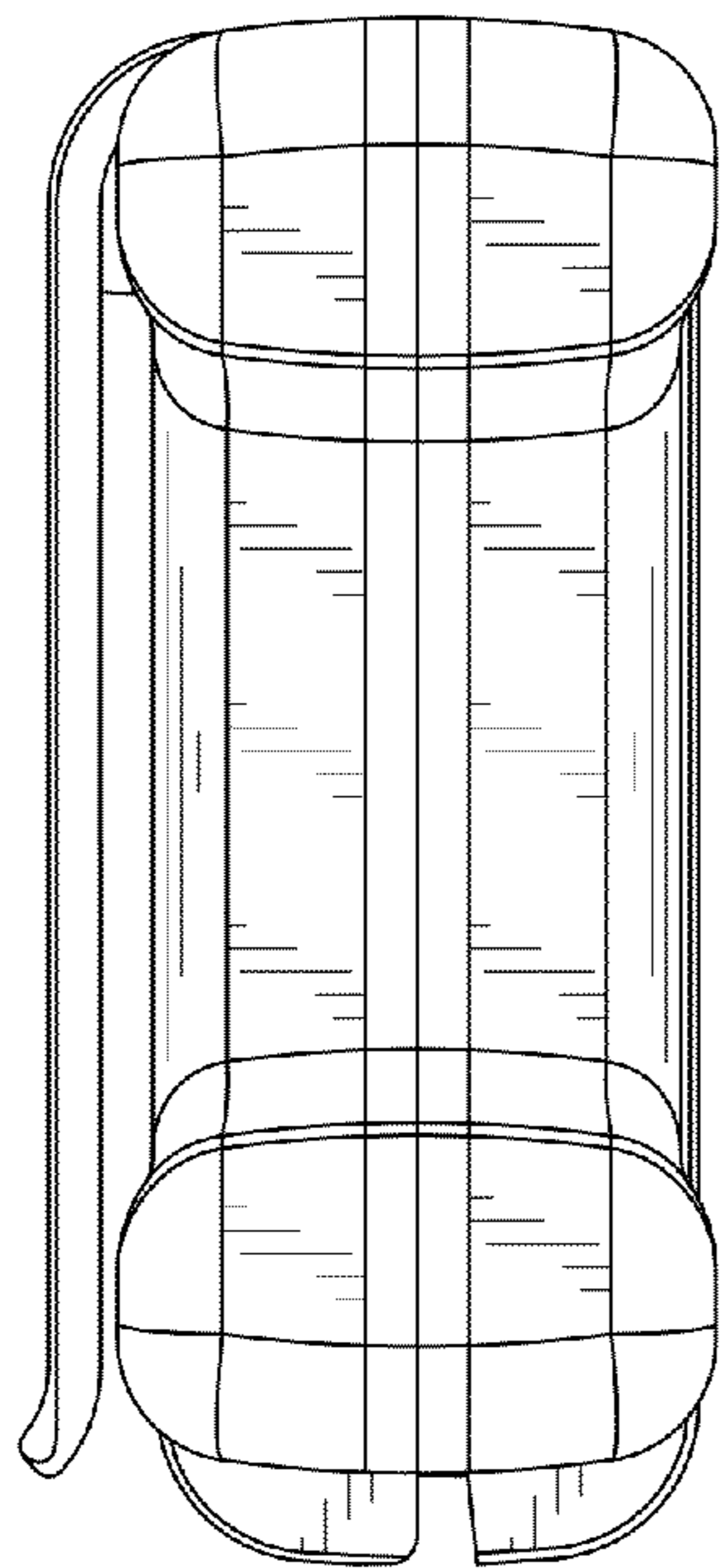


FIG. 4

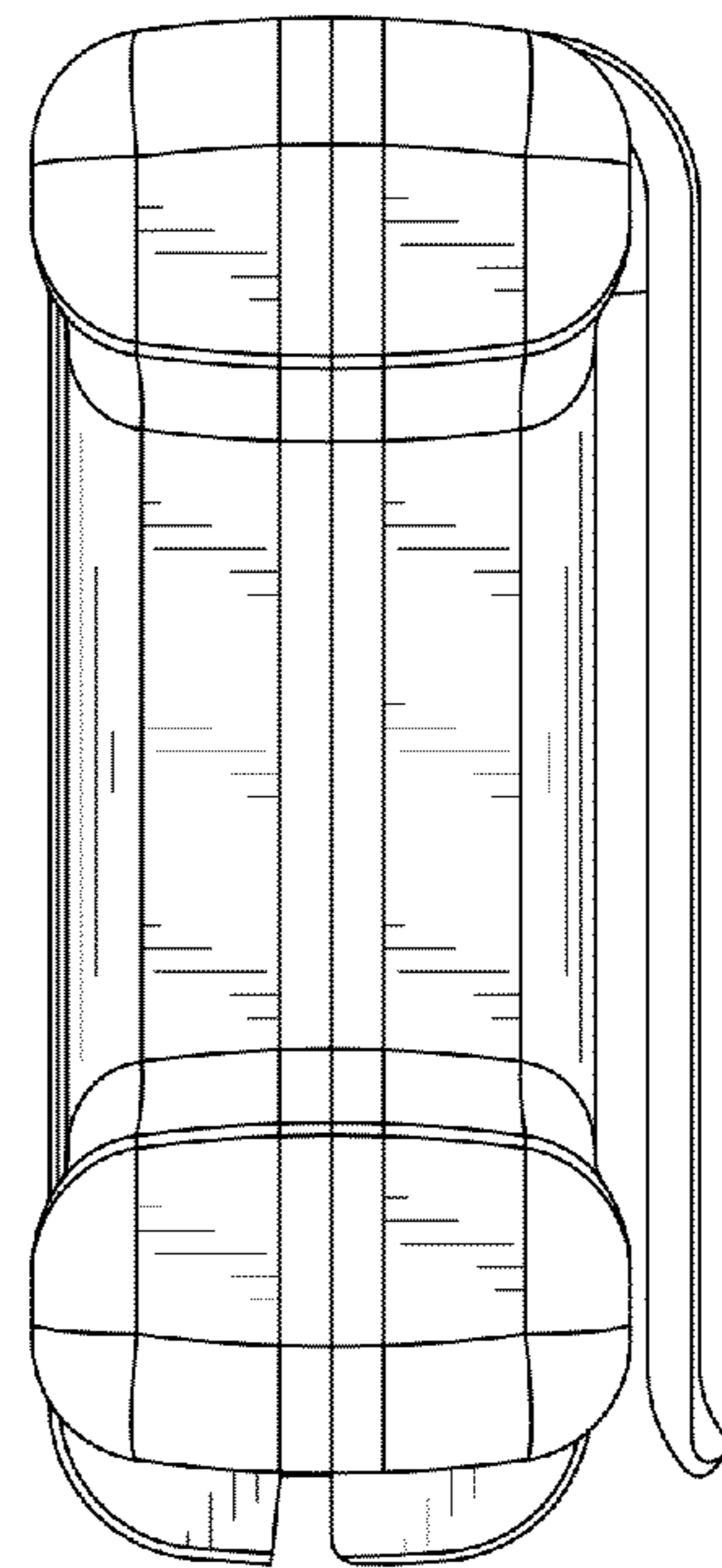


FIG. 5

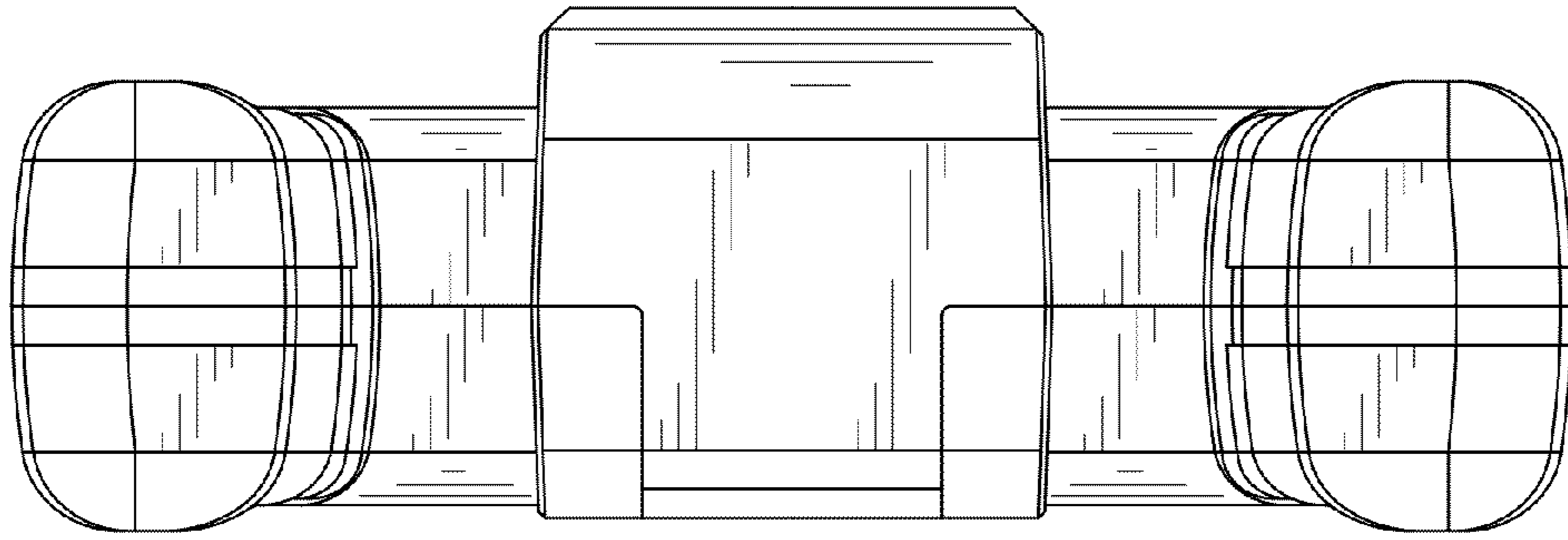


FIG. 6

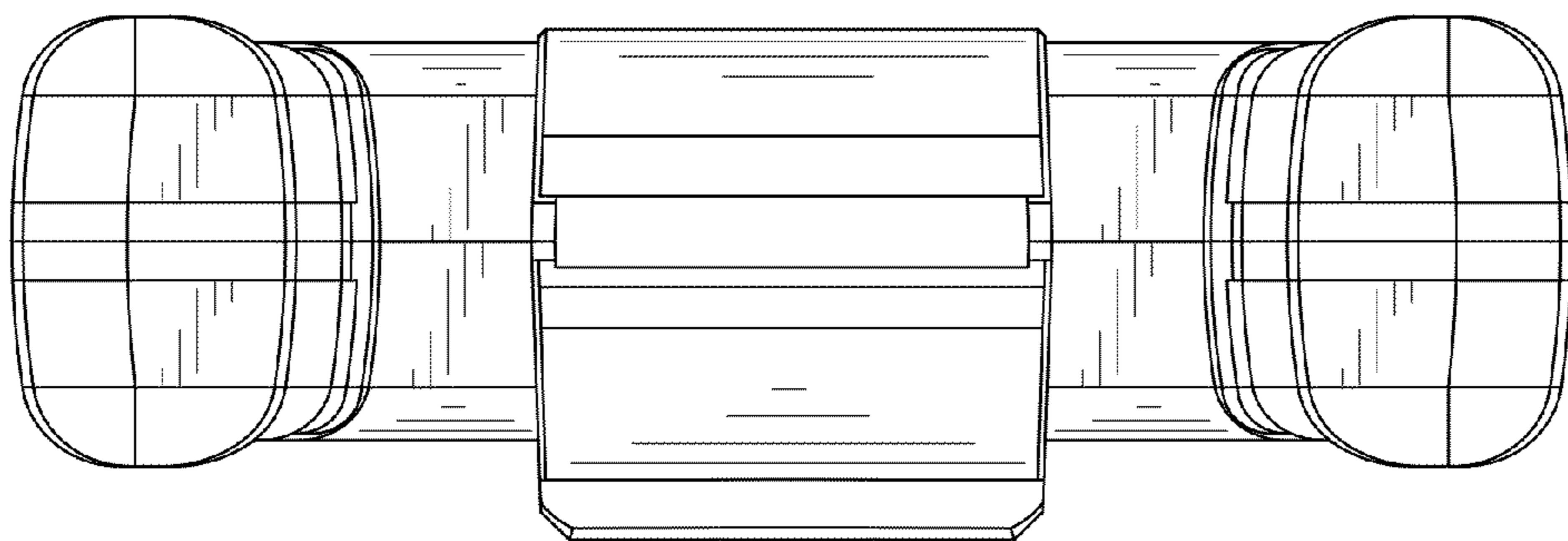


FIG. 7