



US00D712115S

(12) **United States Design Patent**
Werner

(10) **Patent No.:** **US D712,115 S**

(45) **Date of Patent:** **** Aug. 26, 2014**

(54) **MOUNT FOR A MAILBOX**

(71) Applicant: **Theodore J. Werner**, Huntington Station, NY (US)

(72) Inventor: **Theodore J. Werner**, Huntington Station, NY (US)

(**) Term: **14 Years**

(21) Appl. No.: **29/464,928**

(22) Filed: **Aug. 22, 2013**

(51) **LOC (10) Cl.** **25-03**

(52) **U.S. Cl.**
USPC **D99/32**

(58) **Field of Classification Search**

CPC A47G 29/12; A47G 29/1203; A47G 29/1207; A47G 29/1209; A47G 29/1216; A47G 29/122; F41A 1/08; F41A 1/10; F41C 3/00; F41C 3/005; F41C 3/02; F41C 3/04; F41C 3/06; F41C 3/08; F41C 3/10; F41C 3/12; F41C 3/14; F41C 3/16; F41C 7/00; F41C 9/00
USPC D99/28, 29, 31, 32, 43, 99; D6/329, D6/702, 709, 709.1; D22/103, 104, 105; D21/572, 573, 574, 575; 42/58, 59, 60, 42/61, 65; 89/1.7, 9, 27.11, 125; 124/63, 124/66, 67, 68, 72, 74; 232/1 A, 1 C, 1 D, 232/1 R, 17, 38, 39

See application file for complete search history.

(56) **References Cited**

U.S. PATENT DOCUMENTS

726,109 A * 4/1903 Stow 89/149
743,784 A * 11/1903 Wesson 42/62
D138,594 S * 8/1944 Jack D22/104

D138,595 S * 8/1944 Jack D22/104
D179,657 S * 2/1957 Pittman D22/104
2,958,151 A * 11/1960 Sefried, II 42/67
3,030,723 A * 4/1962 Ivy 42/65
D239,771 S * 5/1976 Parisi D22/104
4,918,850 A * 4/1990 Rick 42/59
D335,749 S * 5/1993 Brittain D99/32
6,330,761 B1 * 12/2001 Duval et al. 42/59
7,254,913 B2 * 8/2007 Dubois et al. 42/59
7,886,469 B2 * 2/2011 Curry 42/67
D634,094 S * 3/2011 Benavidez D99/30
D674,575 S * 1/2013 Jahn D99/32
D679,475 S * 4/2013 Frye D99/32

* cited by examiner

Primary Examiner — Elizabeth J Oswecki

(74) *Attorney, Agent, or Firm* — Charles E. Baxley

(57) **CLAIM**

I claim a mount for a mailbox, as shown and described.

DESCRIPTION

FIG. 1 is a front, downwards, left perspective view of a mount for a mailbox showing my new design;

FIG. 2 is another perspective view thereof, shown in a used condition with a post and a mailbox shown in broken lines;

FIG. 3 is a front, upwards, right perspective view thereof shown in a used condition with a post and a mailbox shown in broken lines;

FIG. 4 is a right elevation view thereof, the left elevation view being a mirror image of the right elevation view;

FIG. 5 is a front elevation view thereof;

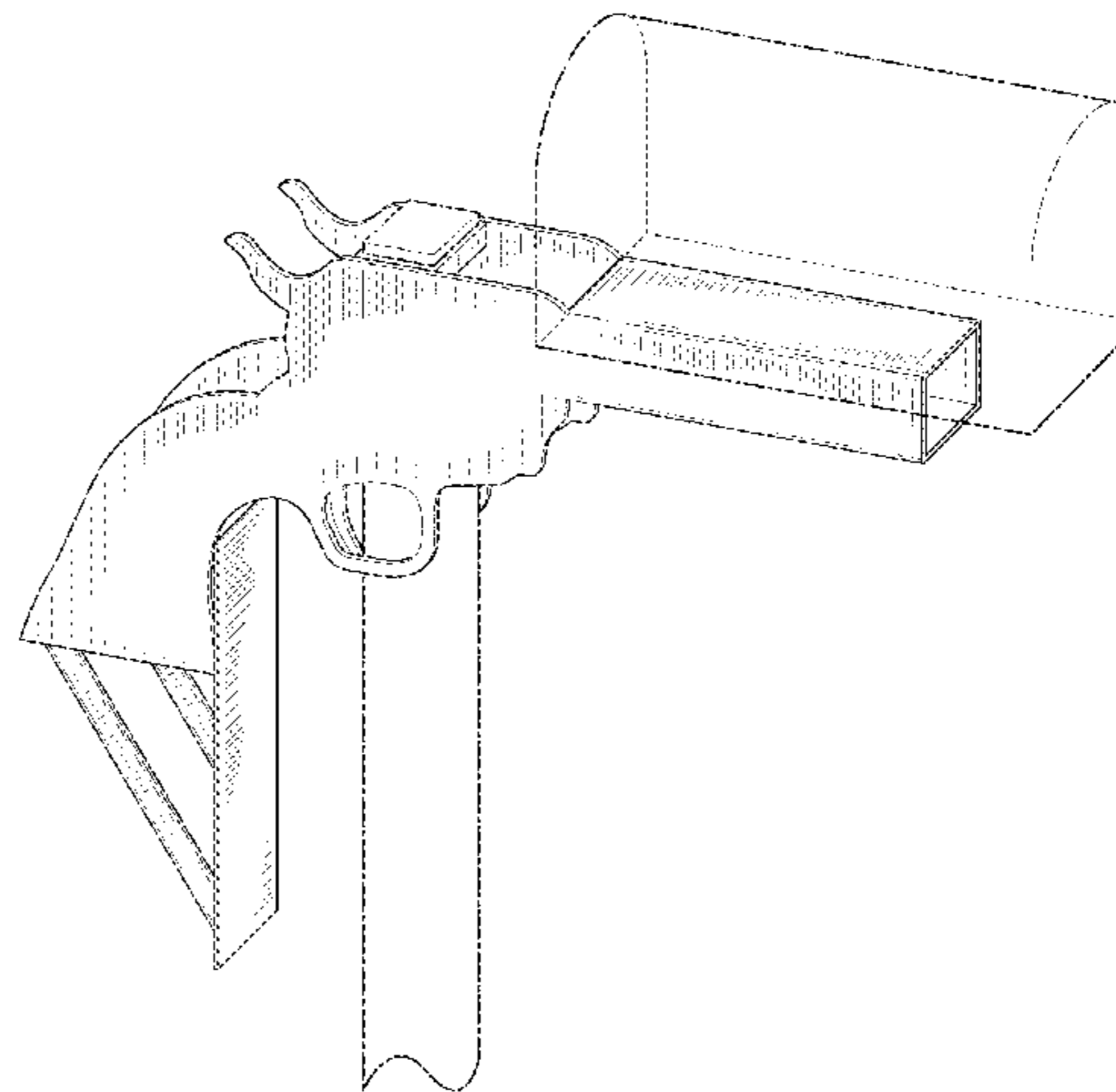
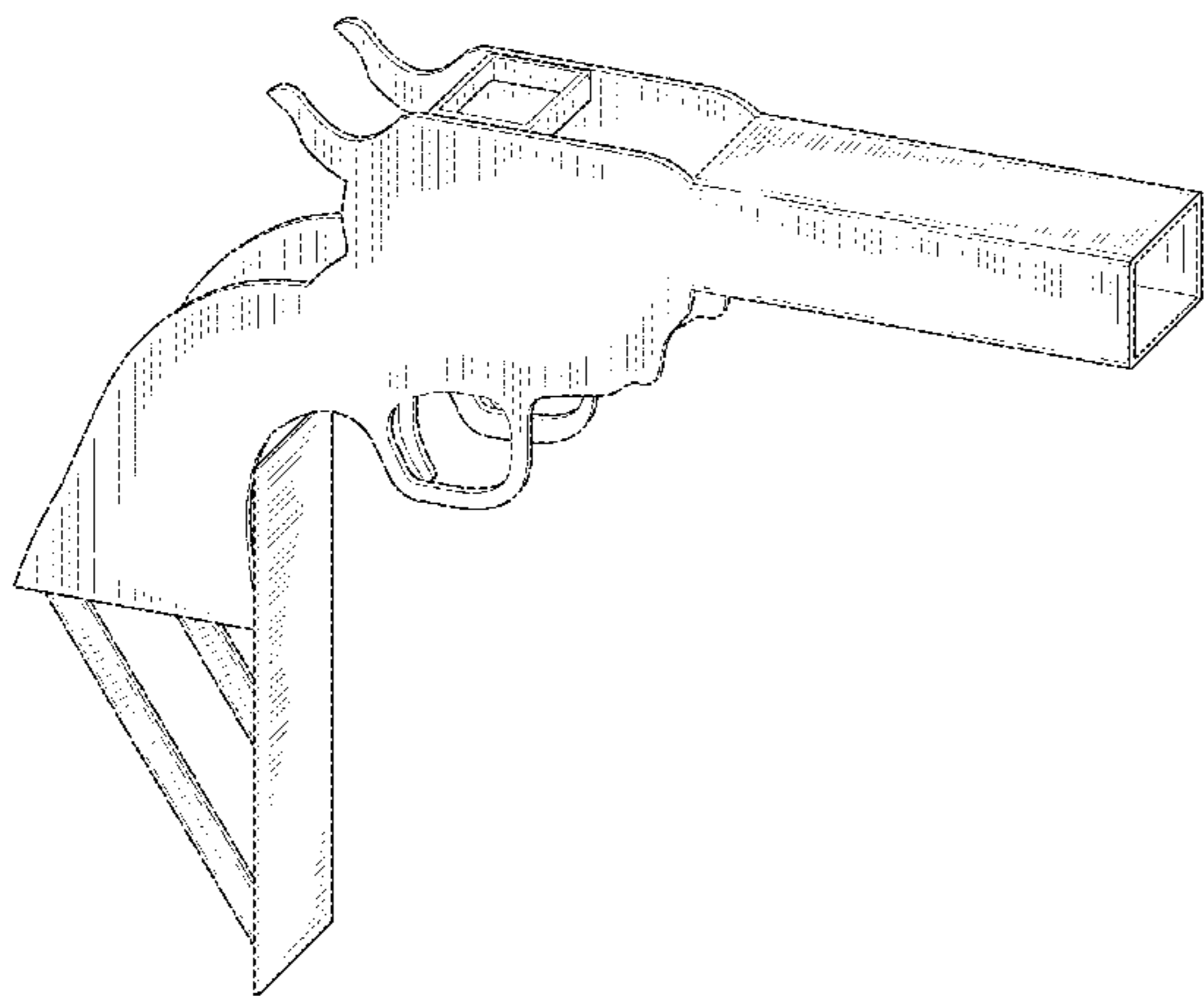
FIG. 6 is a rear elevation view thereof;

FIG. 7 is a top plan view thereof; and,

FIG. 8 is a bottom plan view thereof.

The mailbox and post shown in broken lines form no part of the claimed design.

1 Claim, 6 Drawing Sheets



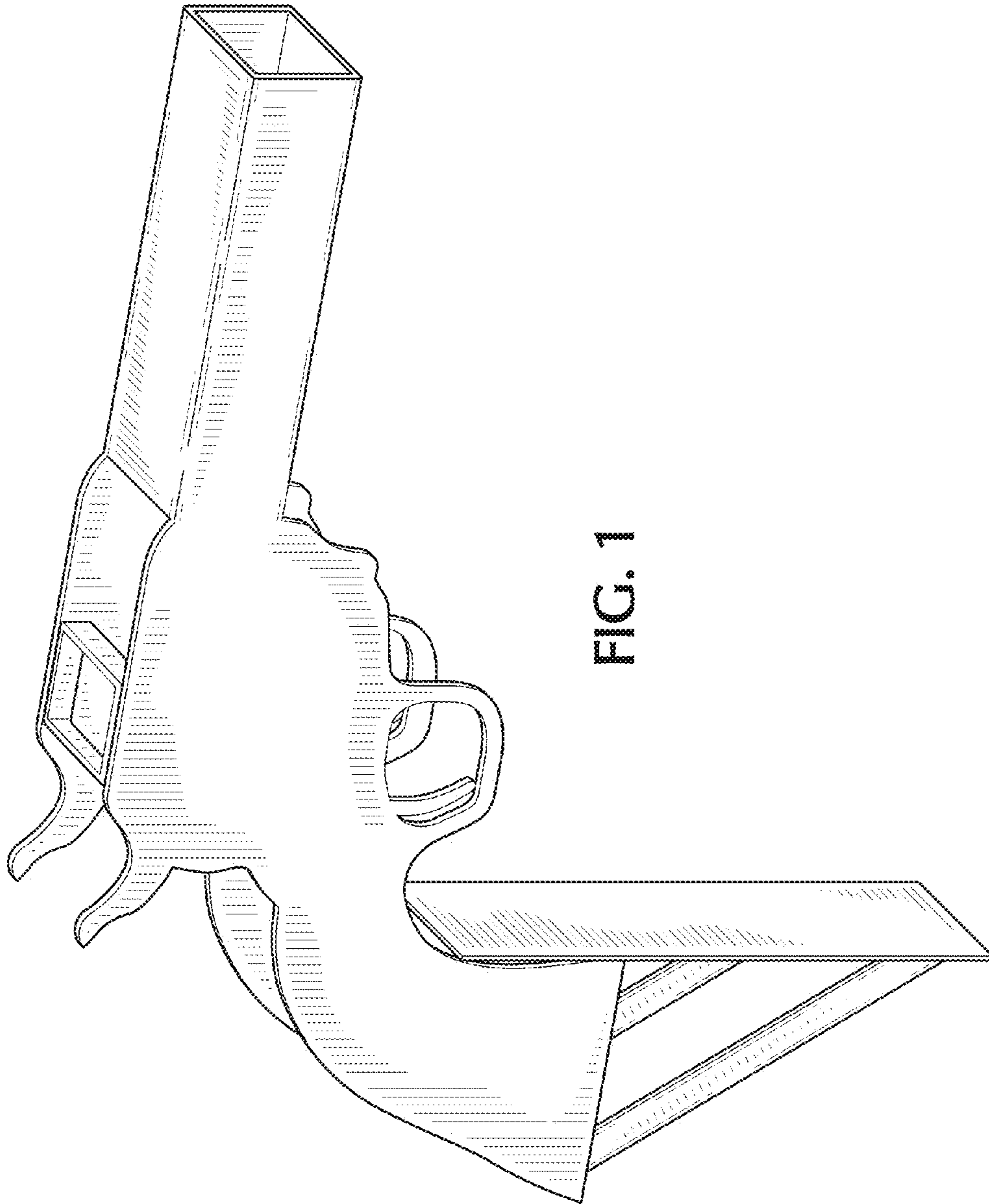


FIG. 1

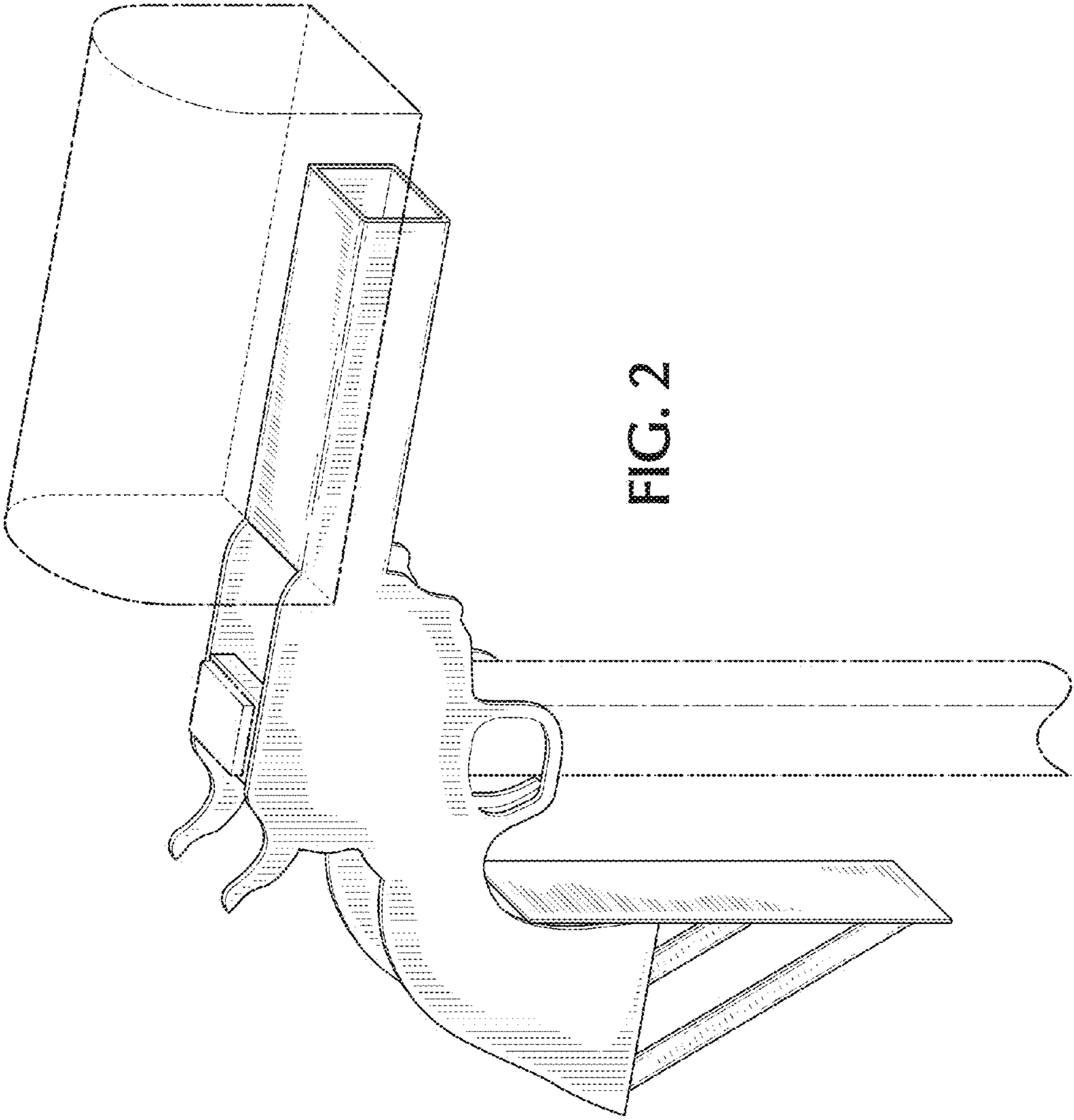


FIG. 2

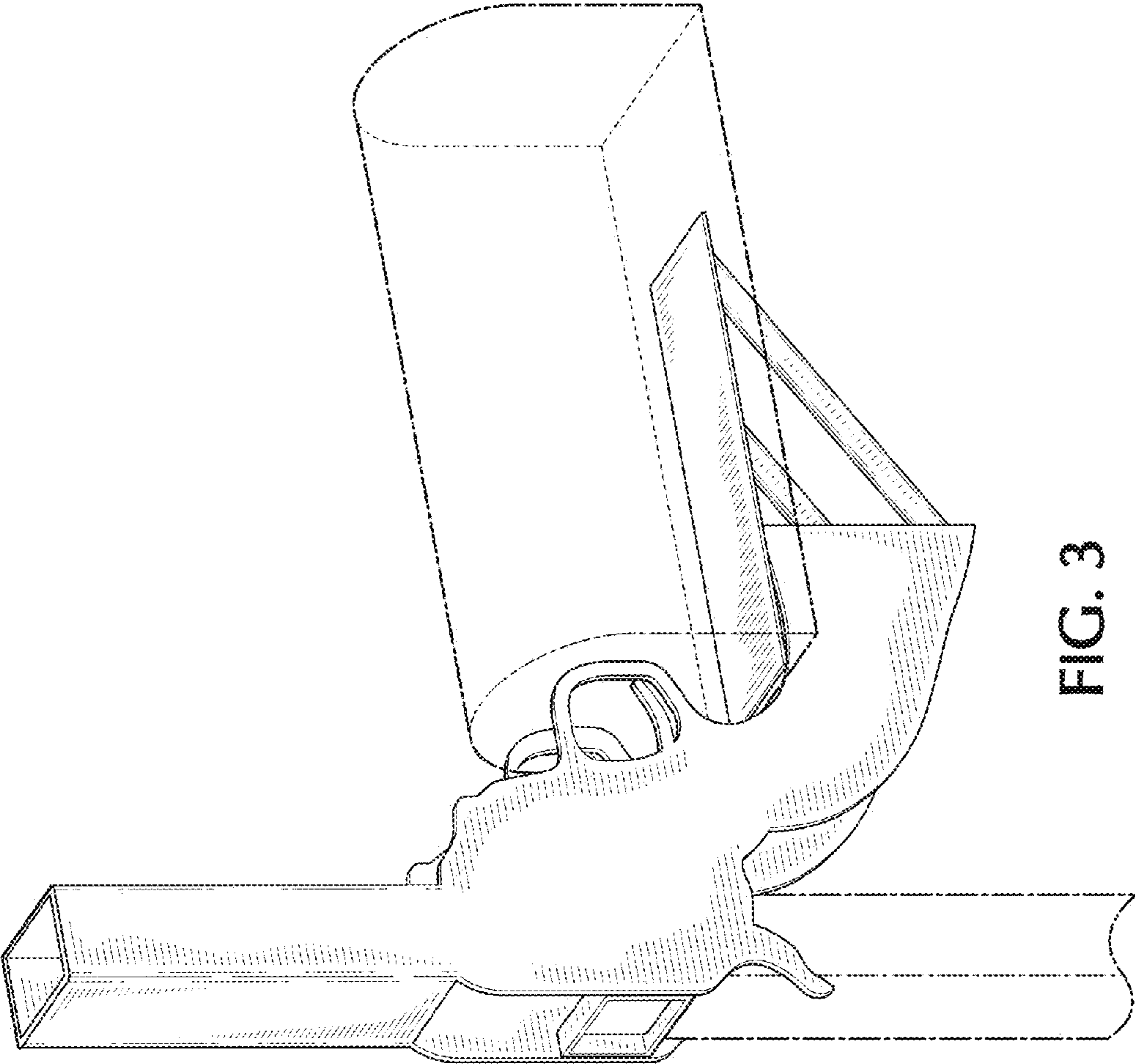


FIG. 3

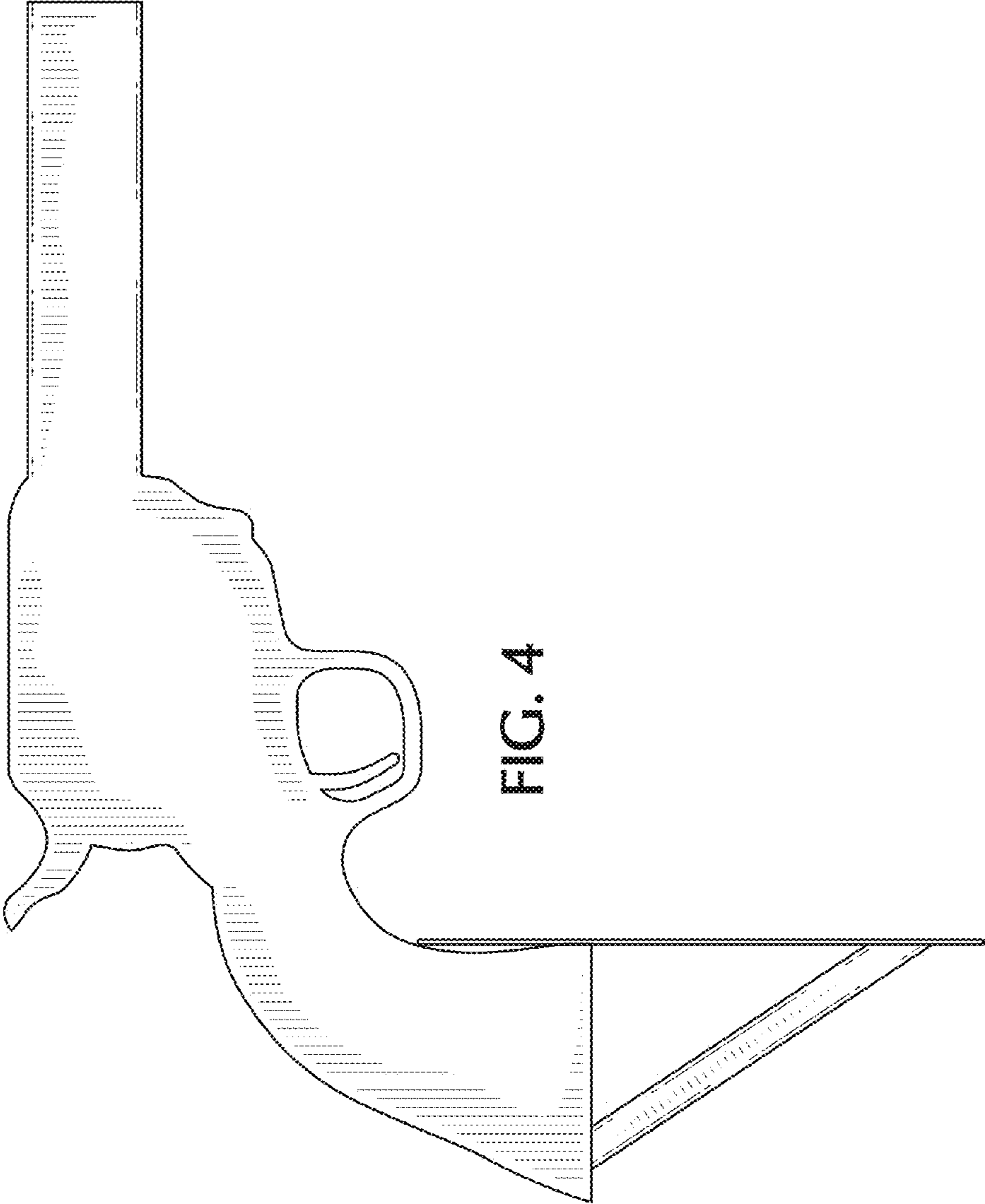


FIG. 4

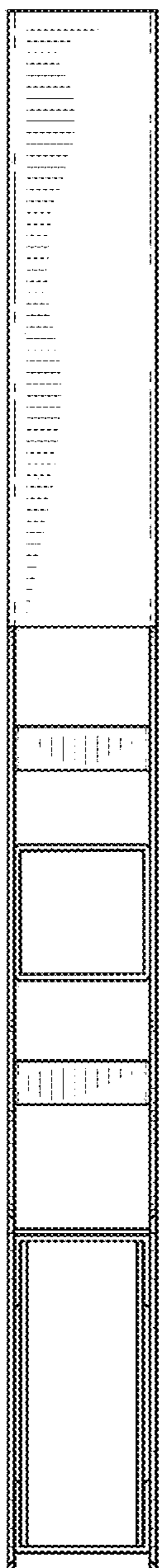


FIG. 5

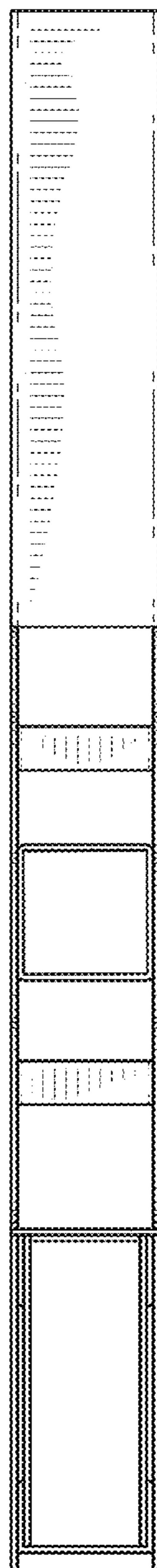


FIG. 6

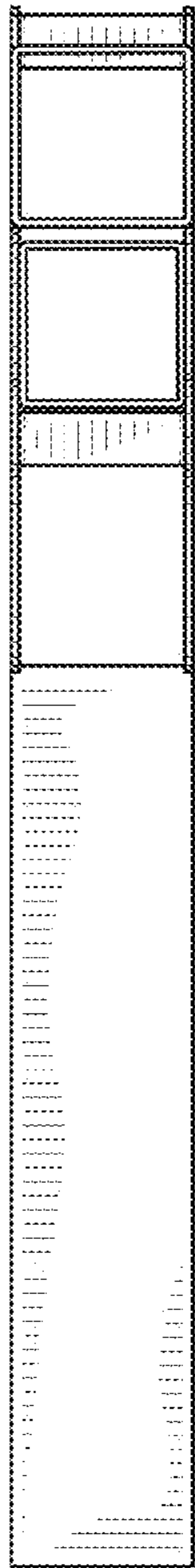


FIG. 7

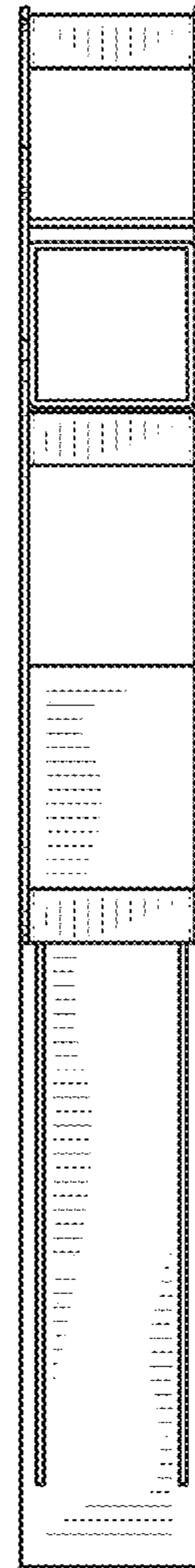


FIG. 8