



US00D712111S

(12) **United States Design Patent**
Chernyshou

(10) **Patent No.:** **US D712,111 S**

(45) **Date of Patent:** **** Aug. 26, 2014**

(54) **PANEL LIFTER**

(71) Applicant: **Stanley Black & Decker, Inc.**, New Britain, CT (US)

(72) Inventor: **Aliaksei Chernyshou**, Farmington, CT (US)

(73) Assignee: **Stanley Black & Decker, Inc.**, New Britain, CT (US)

(**) Term: **14 Years**

(21) Appl. No.: **29/464,697**

(22) Filed: **Aug. 20, 2013**

(51) **LOC (10) Cl.** **12-05**

(52) **U.S. Cl.**
USPC **D34/28**

(58) **Field of Classification Search**
CPC B65G 7/12; B65G 7/08; B25B 9/00;
B62B 2301/08
USPC D34/12-27, 28; 280/47.16, 47.34, 79.1,
280/47.15, 47.26
See application file for complete search history.

(56) **References Cited**

U.S. PATENT DOCUMENTS

D263,691 S * 4/1982 Streiff D34/26
4,630,838 A * 12/1986 Stockton 280/47.17
4,793,624 A * 12/1988 Mace 280/47.16

D302,063 S * 7/1989 Frazier et al. D34/17
5,069,495 A * 12/1991 Mears 294/15
D340,337 S * 10/1993 Beasley D34/23
5,318,316 A * 6/1994 Shurtleff 280/79.7
D349,384 S * 8/1994 Crinion D34/23
6,234,499 B1 * 5/2001 Irwin et al. 280/63
6,264,184 B1 * 7/2001 Armstrong et al. 269/17
7,207,578 B2 * 4/2007 Shore 280/79.7
D550,921 S * 9/2007 McMorris D34/23
7,896,367 B1 * 3/2011 Suprono 280/47.15
7,980,608 B2 * 7/2011 Pouliot et al. 294/15
D684,443 S * 6/2013 Thompson D8/14
2003/0193203 A1 * 10/2003 DuBois 294/15

* cited by examiner

Primary Examiner — Cynthia Ramirez

(74) *Attorney, Agent, or Firm* — Gabriel Haboubi

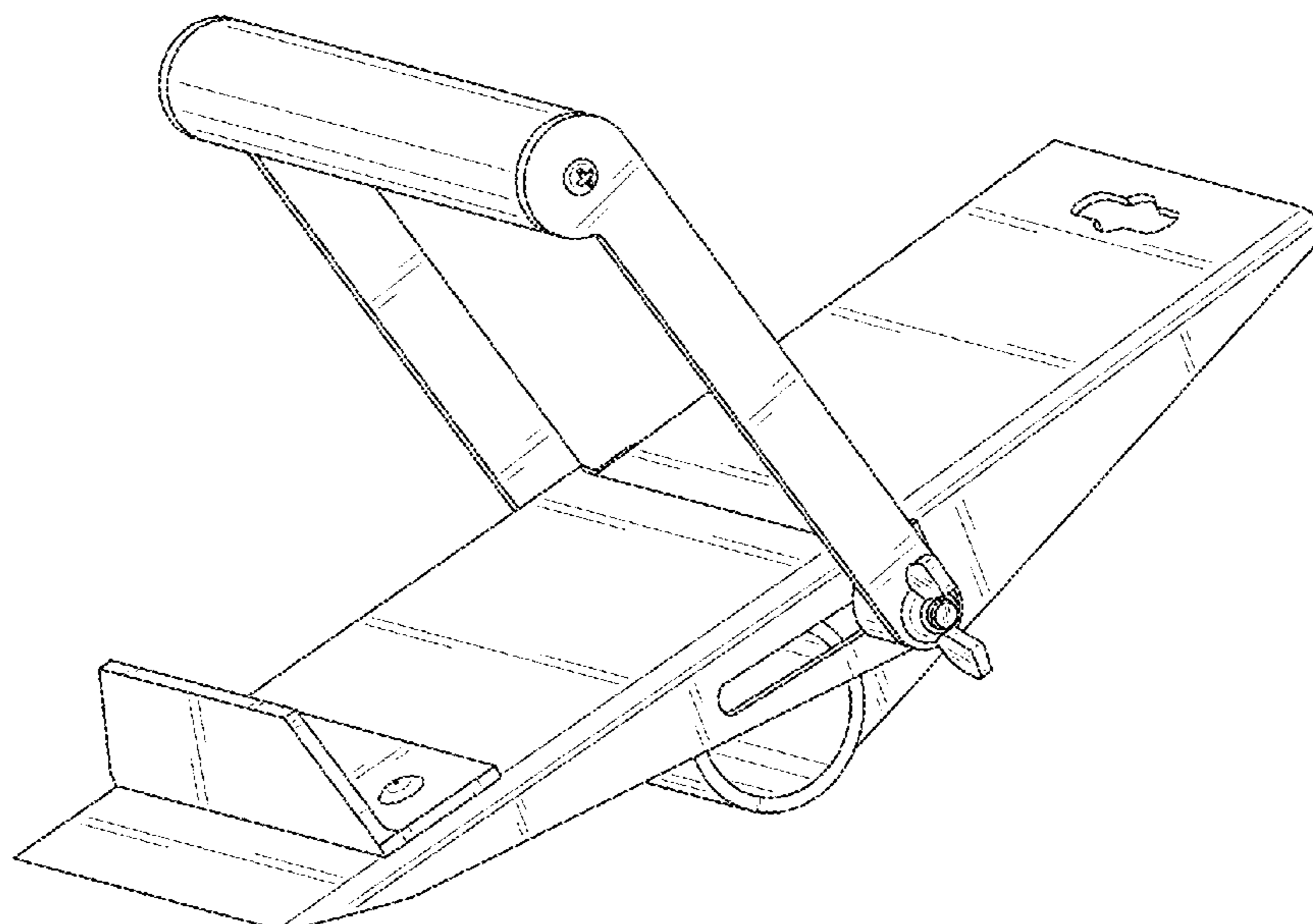
(57) **CLAIM**

The ornamental design for a panel lifter, as shown and described.

DESCRIPTION

FIG. 1 is a left/front perspective view of a panel lifter.
FIG. 2 is a front view thereof.
FIG. 3 is a rear view thereof.
FIG. 4 is a right side view thereof.
FIG. 5 is a left side view thereof.
FIG. 6 is a top view thereof; and,
FIG. 7 is a bottom view thereof.

1 Claim, 7 Drawing Sheets



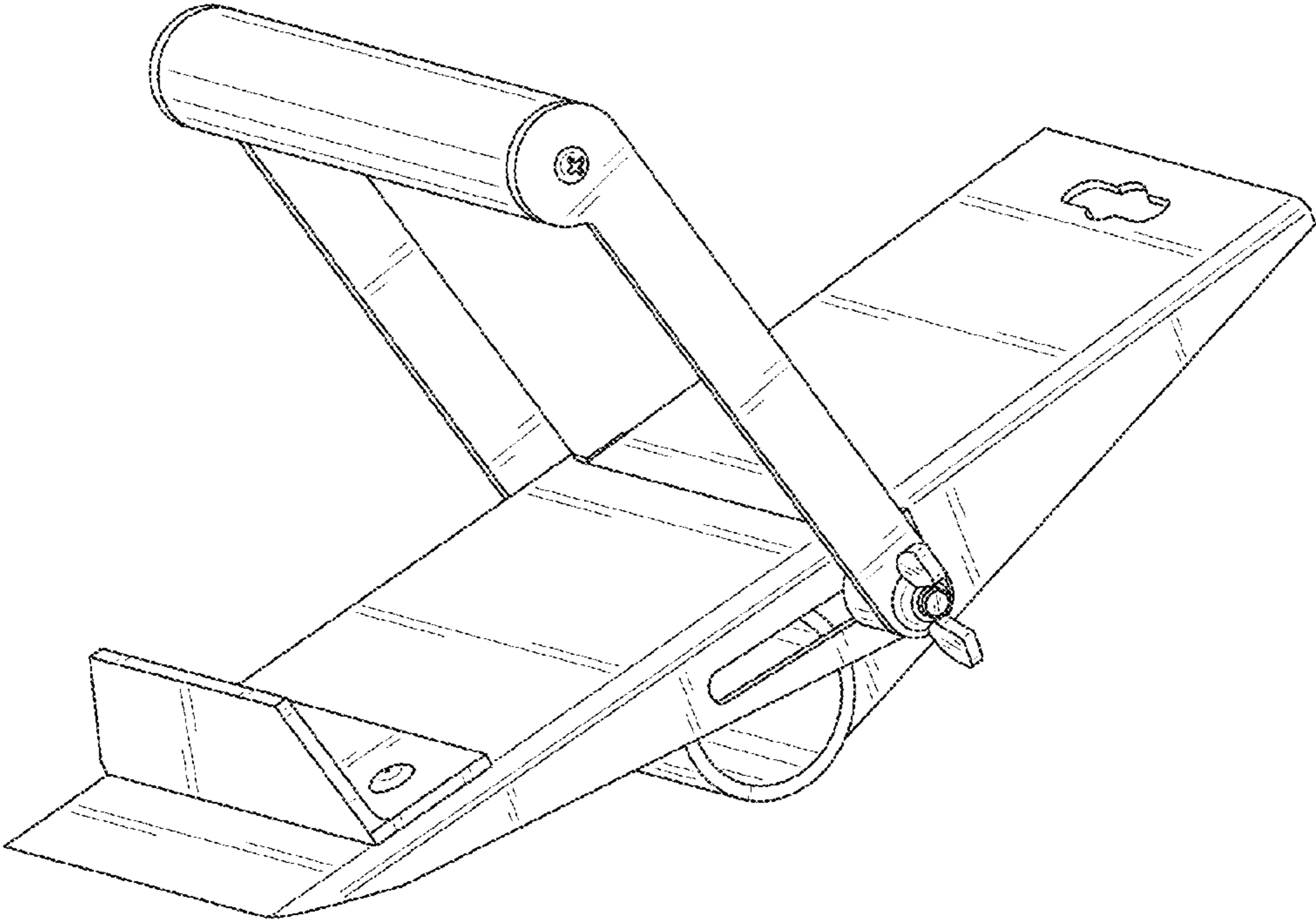


FIG. 1

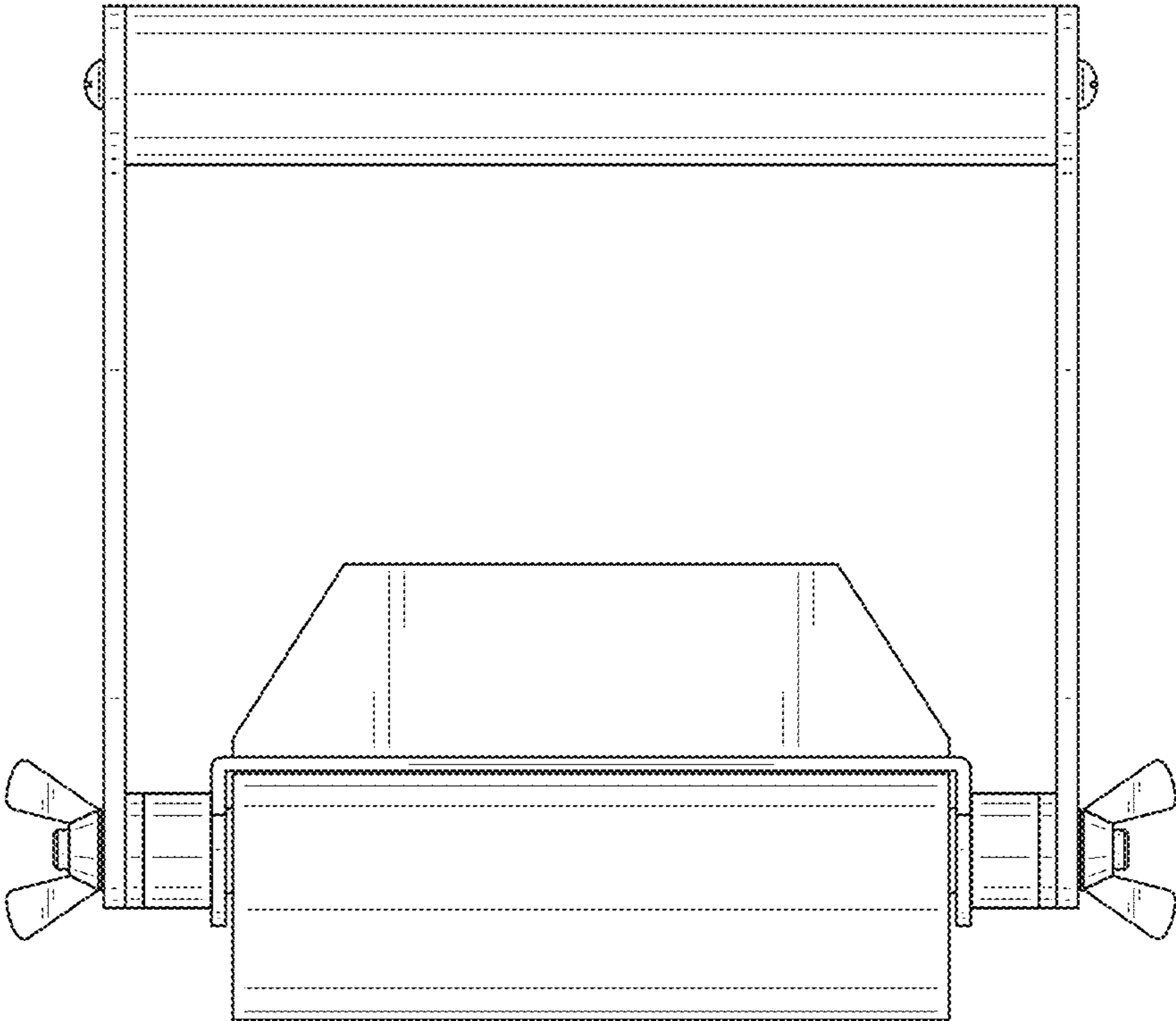


FIG. 2

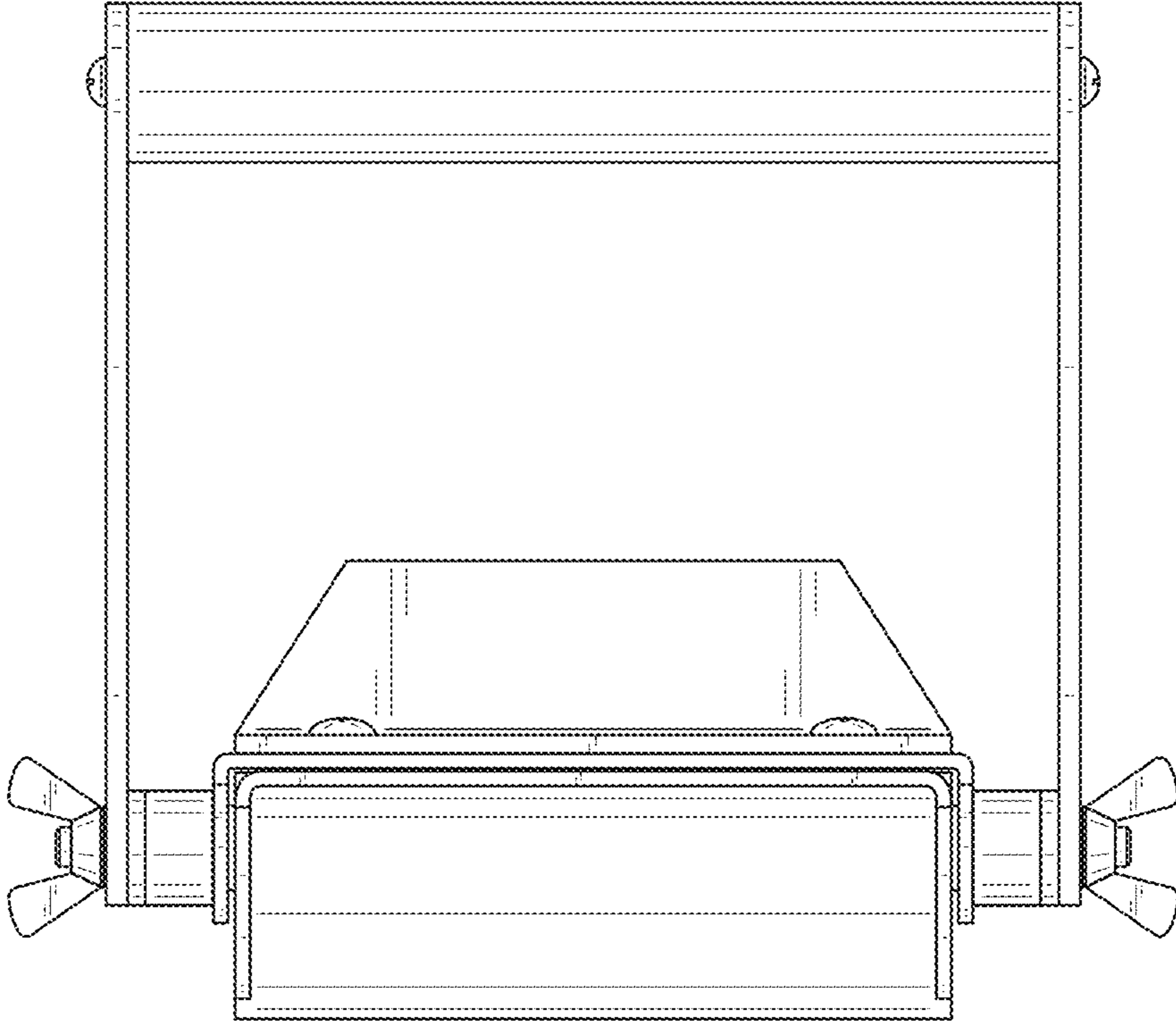


FIG. 3

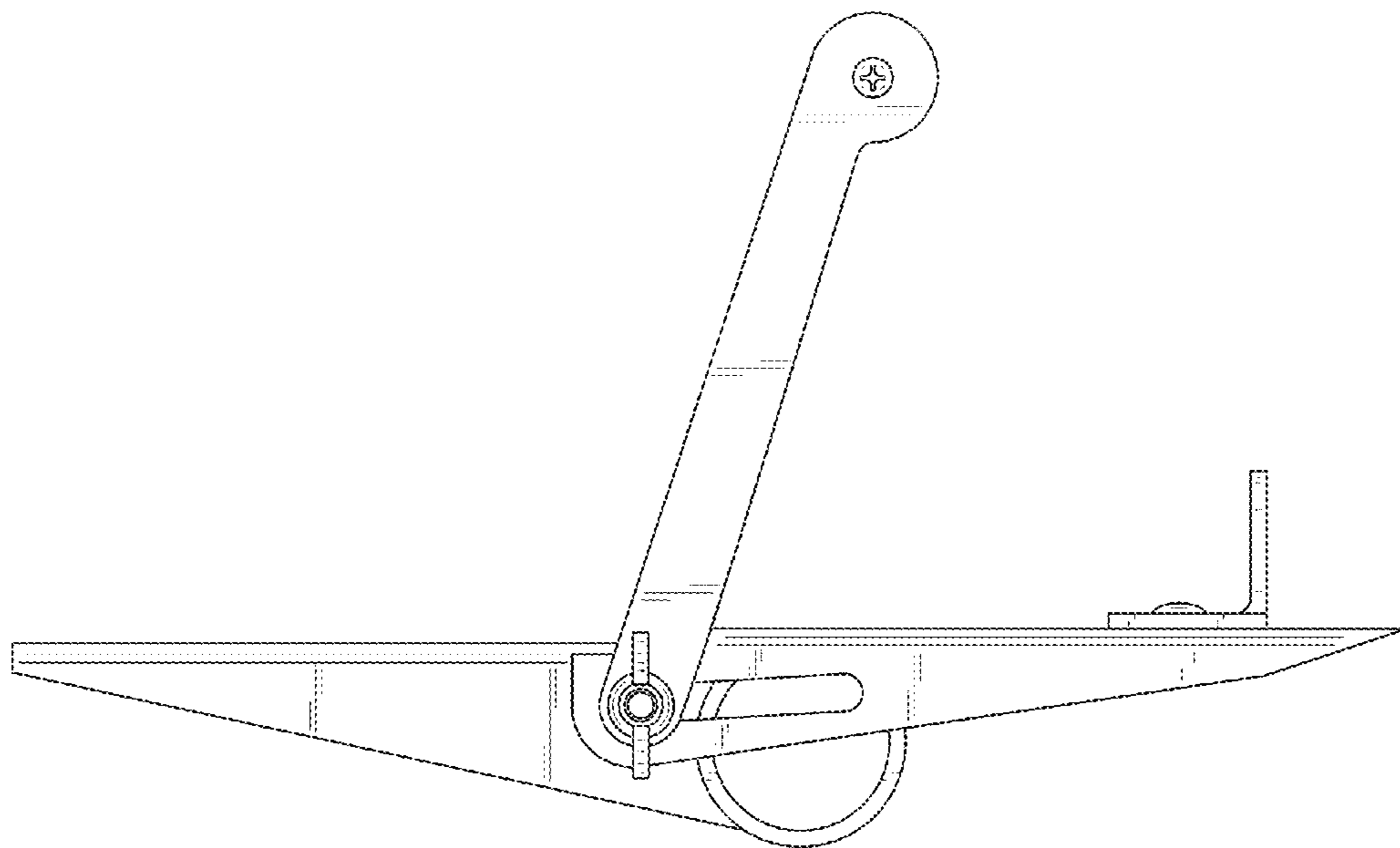


FIG. 4

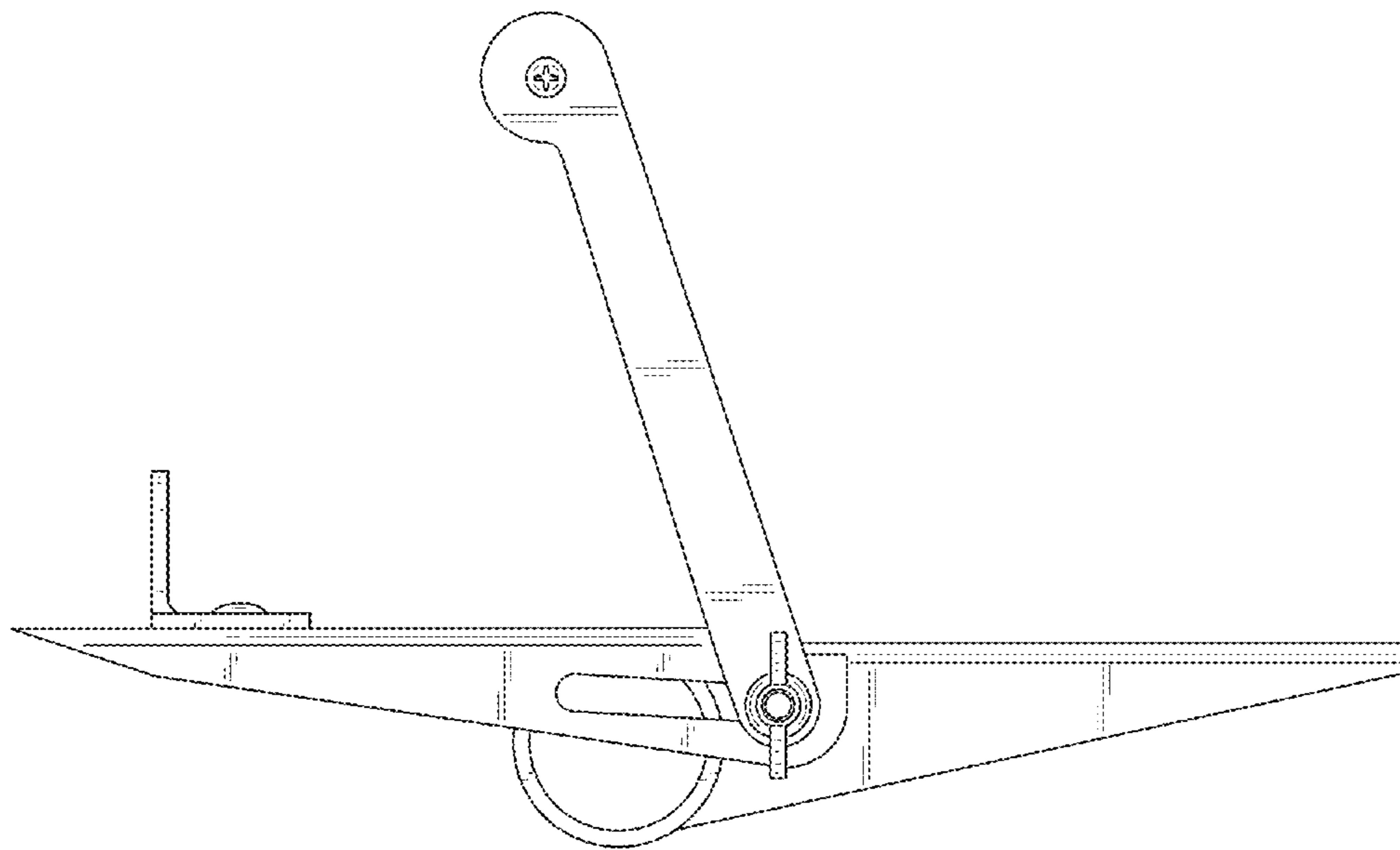


FIG. 5

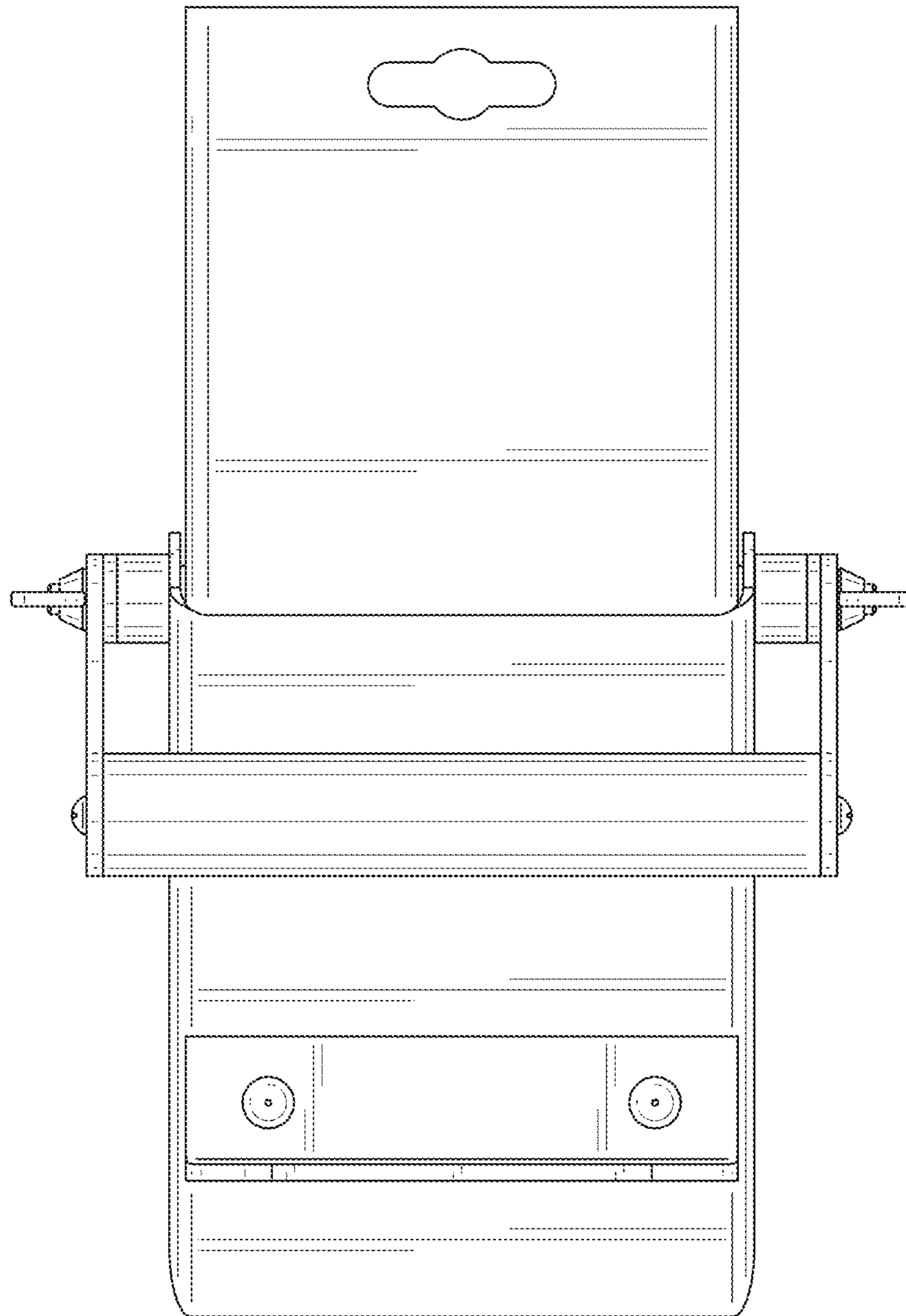


FIG. 6

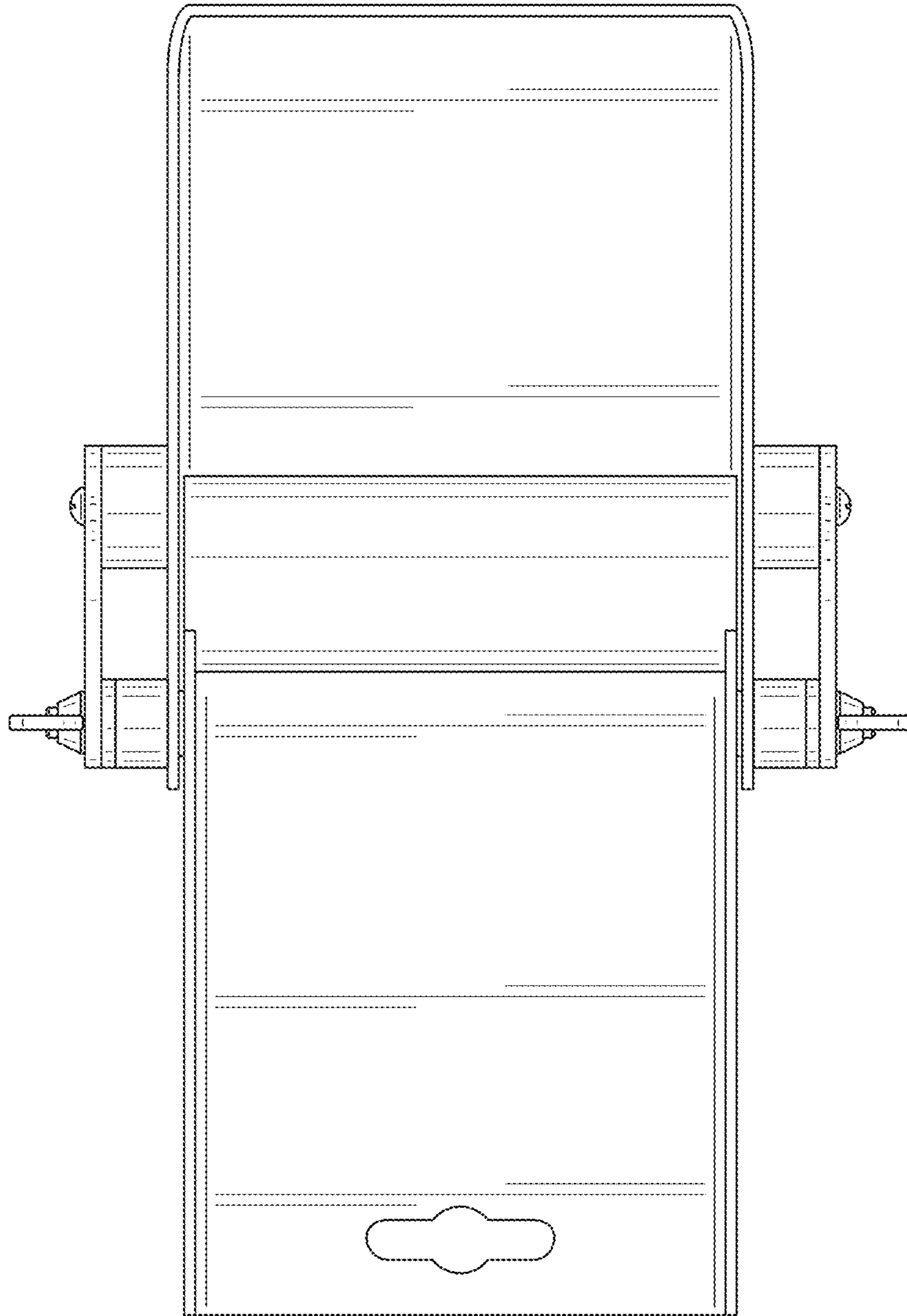


FIG. 7