



US00D712109S

(12) **United States Design Patent**  
**Day et al.**

(10) **Patent No.:** **US D712,109 S**

(45) **Date of Patent:** **\*\* Aug. 26, 2014**

(54) **IRON**

(71) Applicant: **Sunbeam Products, Inc.**, Boca Raton,  
FL (US)

(72) Inventors: **Adam Day**, Boynton Beach, FL (US);  
**Edward I. Stramm, Jr.**, Roswell, GA  
(US)

(73) Assignee: **Sunbeam Products, Inc.**, Boca Raton,  
FL (US)

(\*\*) Term: **14 Years**

(21) Appl. No.: **29/491,552**

(22) Filed: **May 22, 2014**

(51) **LOC (10) Cl.** ..... **07-05**

(52) **U.S. Cl.**  
USPC ..... **D32/70**

(58) **Field of Classification Search**

CPC ..... D06F 75/34; D06F 75/08; D06F 75/38;  
D06F 75/00; F22B 27/14; B08B 3/006  
USPC ..... D32/73, 72, 71, 70, 69, 68, 35;  
392/404; 38/97, 96, 93, 88, 77.9,  
38/77.83, 77.82, 77.81, 77.8, 77.7, 77.6,  
38/77.5, 77.3, 77.1; 219/251, 245

See application file for complete search history.

(56) **References Cited**

U.S. PATENT DOCUMENTS

D389,969 S *	1/1998	Dziersk .....	D32/70
D481,503 S *	10/2003	Choi .....	D32/70
D538,990 S *	3/2007	Poon .....	D32/70
D551,413 S *	9/2007	Poon .....	D32/70
D582,620 S *	12/2008	Brown .....	D32/70
D621,115 S *	8/2010	Lee et al. ....	D32/70
D625,892 S *	10/2010	Choi .....	D32/70
D638,597 S *	5/2011	Choi .....	D32/70
D646,862 S *	10/2011	Choi et al. ....	D32/70
D654,240 S *	2/2012	Choi et al. ....	D32/70
D676,210 S *	2/2013	Sirard .....	D32/70
D707,412 S *	6/2014	Renault .....	D32/70
2010/0146826 A1 *	6/2010	Lee et al. ....	38/77.83

\* cited by examiner

*Primary Examiner* — Austin Murphy

(74) *Attorney, Agent, or Firm* — Michael J. Corrigan

(57) **CLAIM**

The ornamental design for the iron, as shown and described.

**DESCRIPTION**

FIG. 1 is a front perspective view of the iron;  
FIG. 2 is a front view thereof;  
FIG. 3 is a rear view thereof;  
FIG. 4 is a right side view thereof;  
FIG. 5 is a left side view thereof;  
FIG. 6 is a top plan view thereof; and,  
FIG. 7 is a bottom plan view thereof.  
The dashed lines in the drawings are for illustrative purposes  
only and form no part of the claimed design.

**1 Claim, 4 Drawing Sheets**

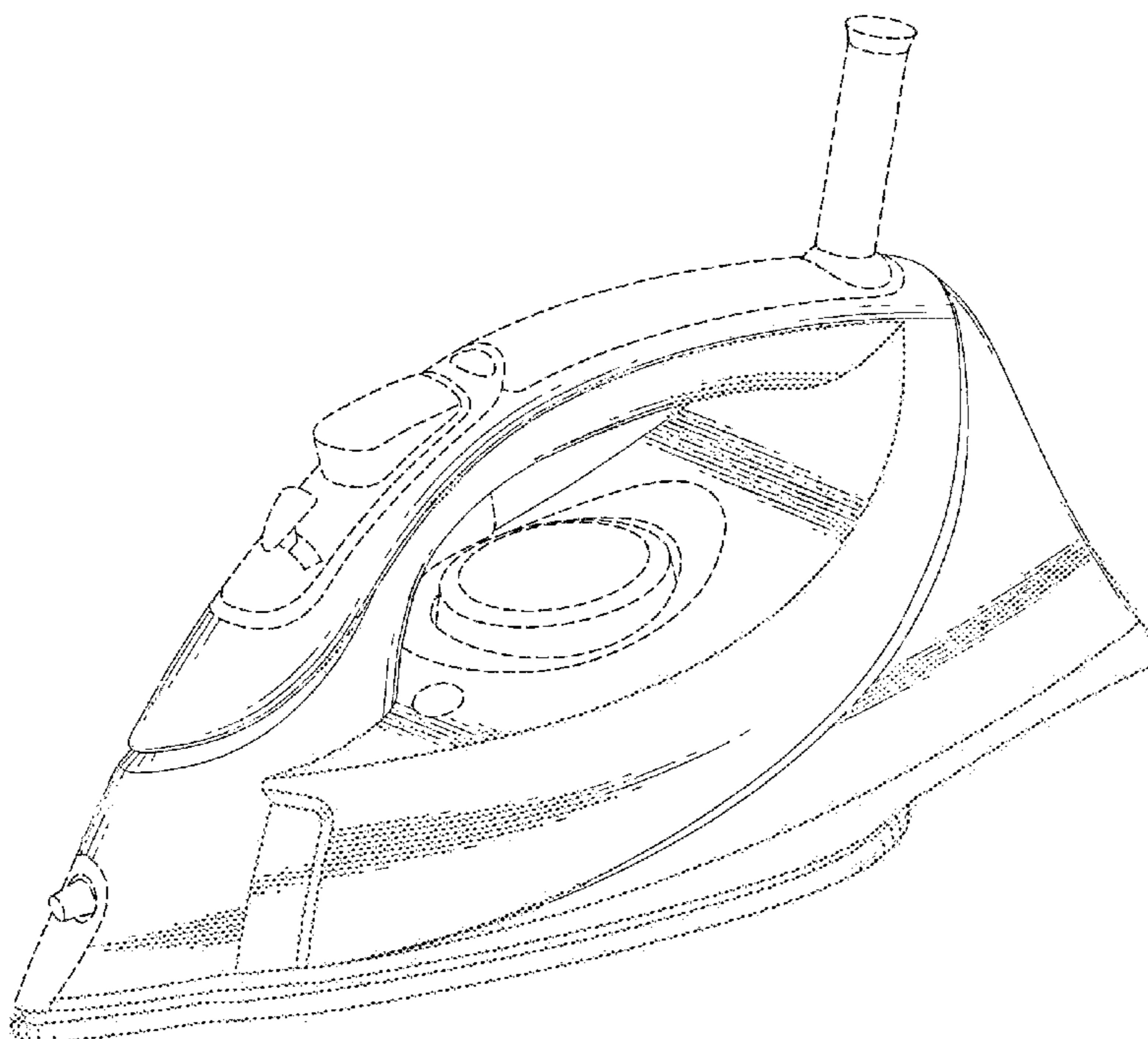


FIG. 1

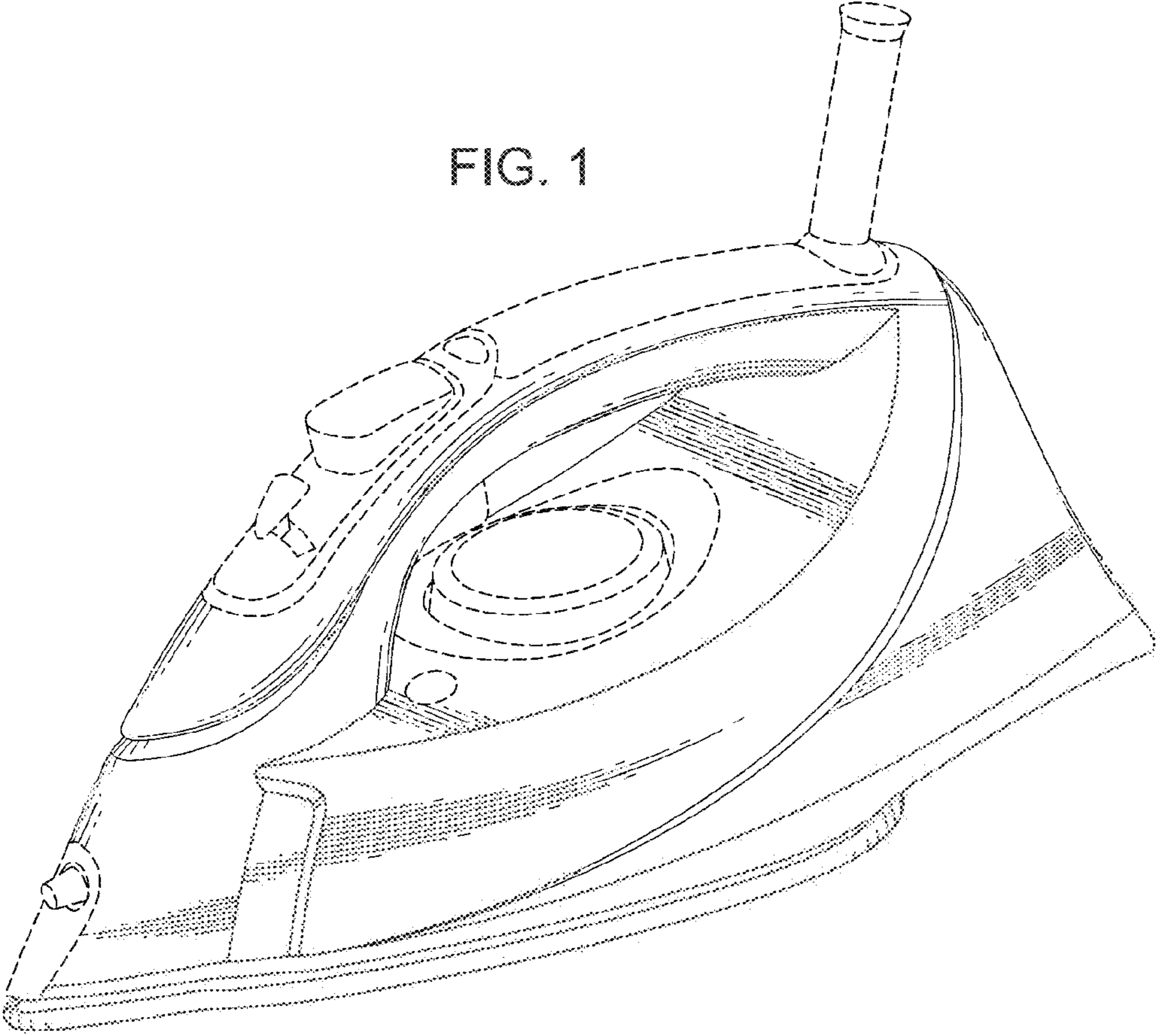


FIG. 2

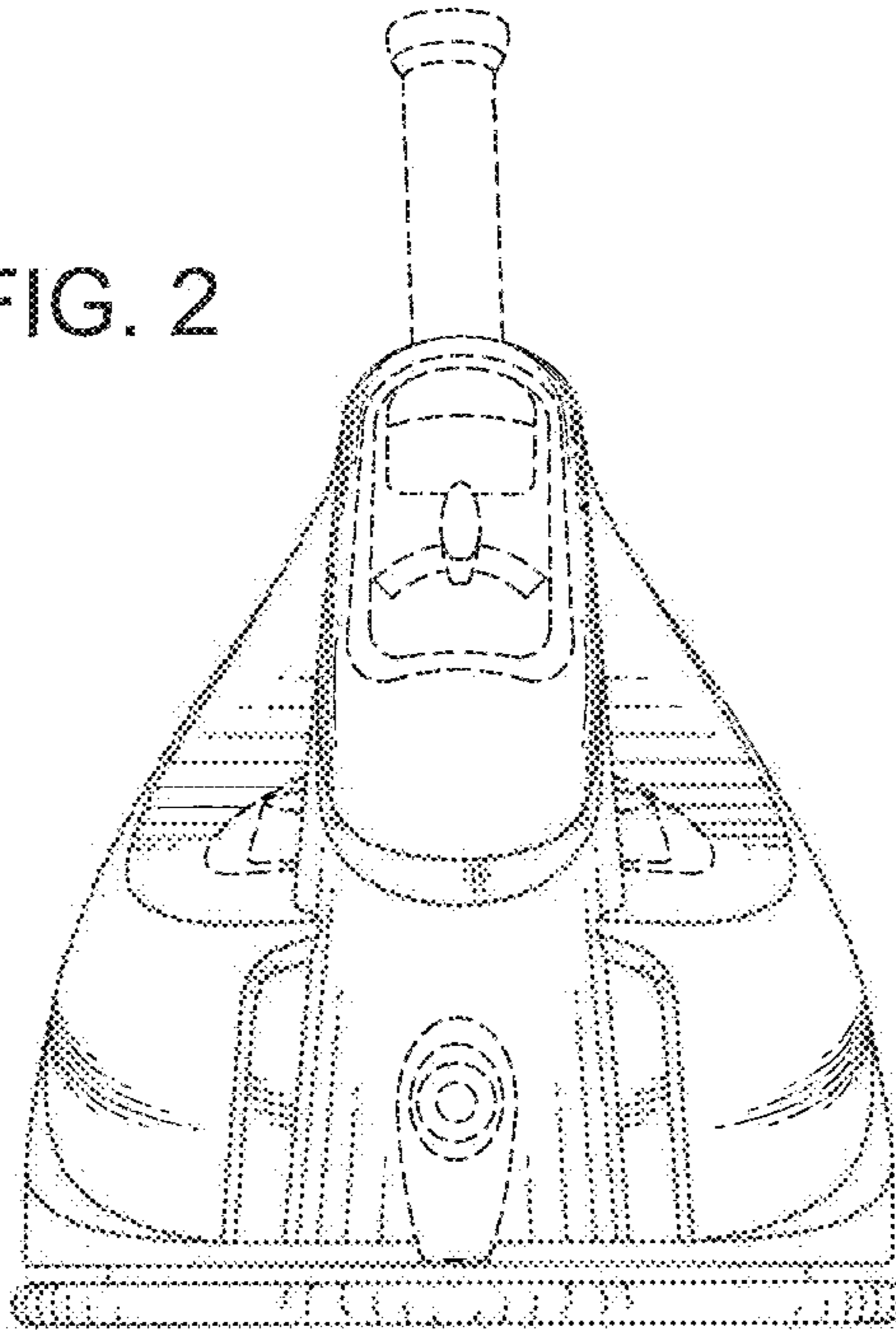


FIG. 3

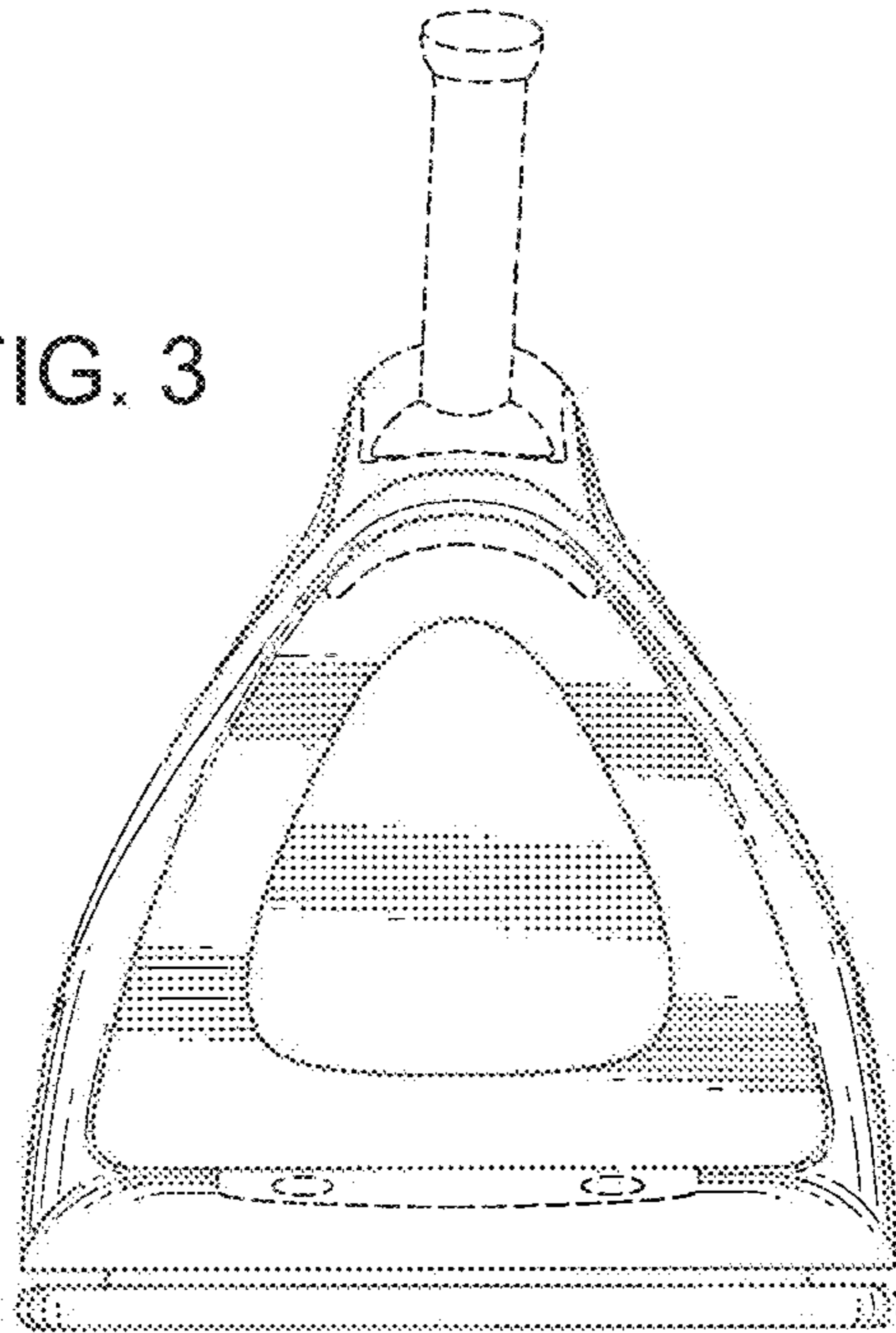


FIG. 4

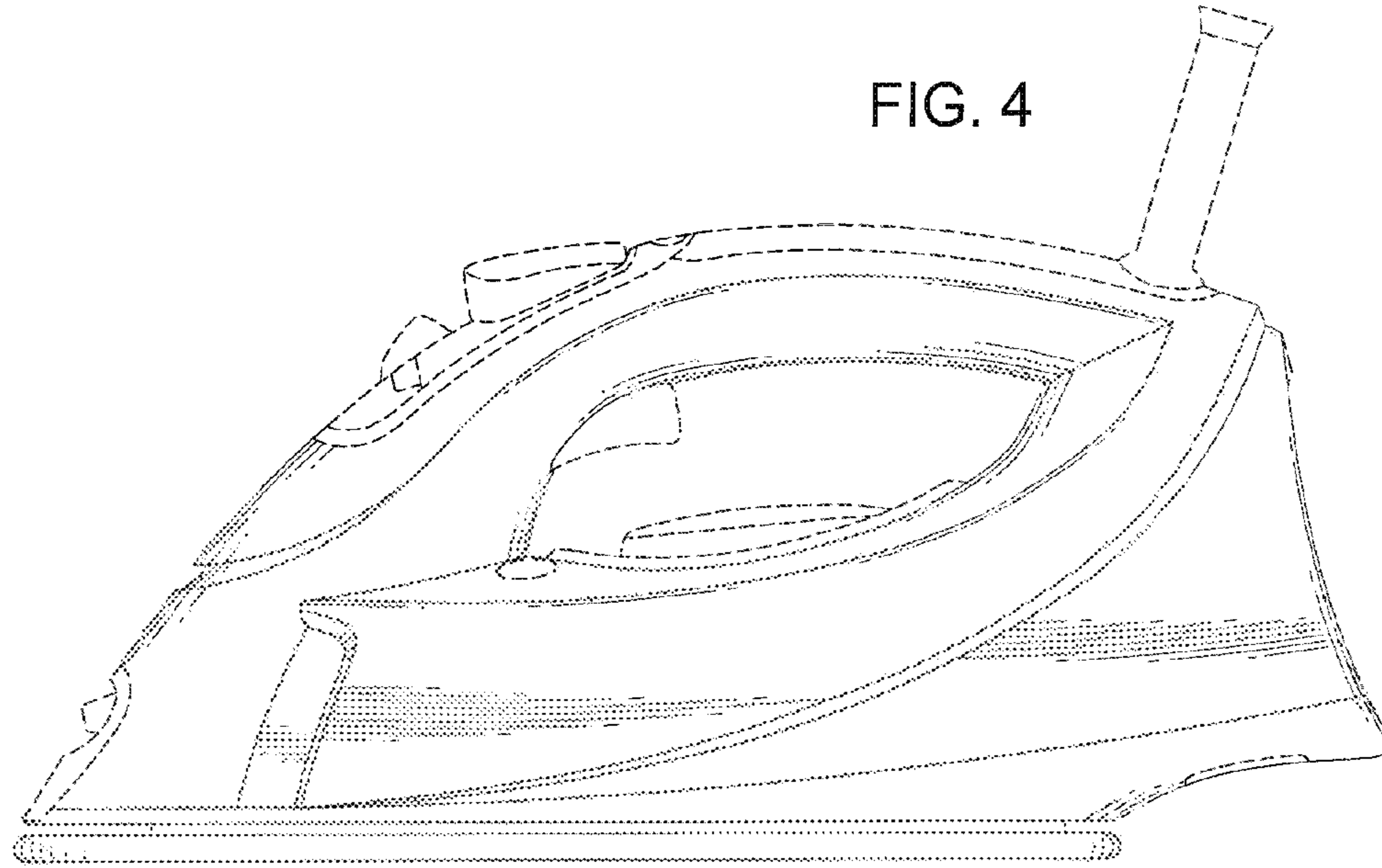


FIG. 5

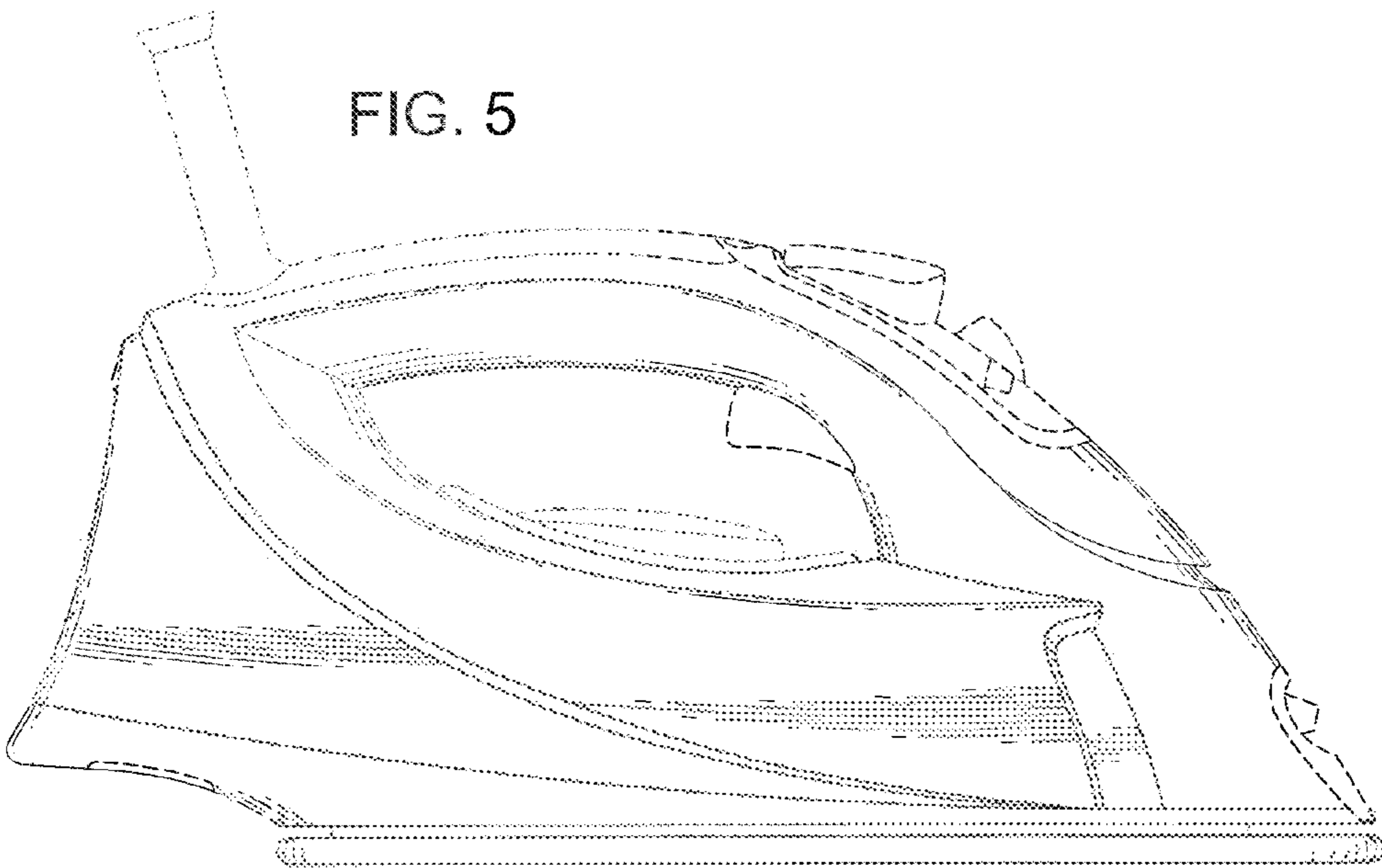


FIG. 6

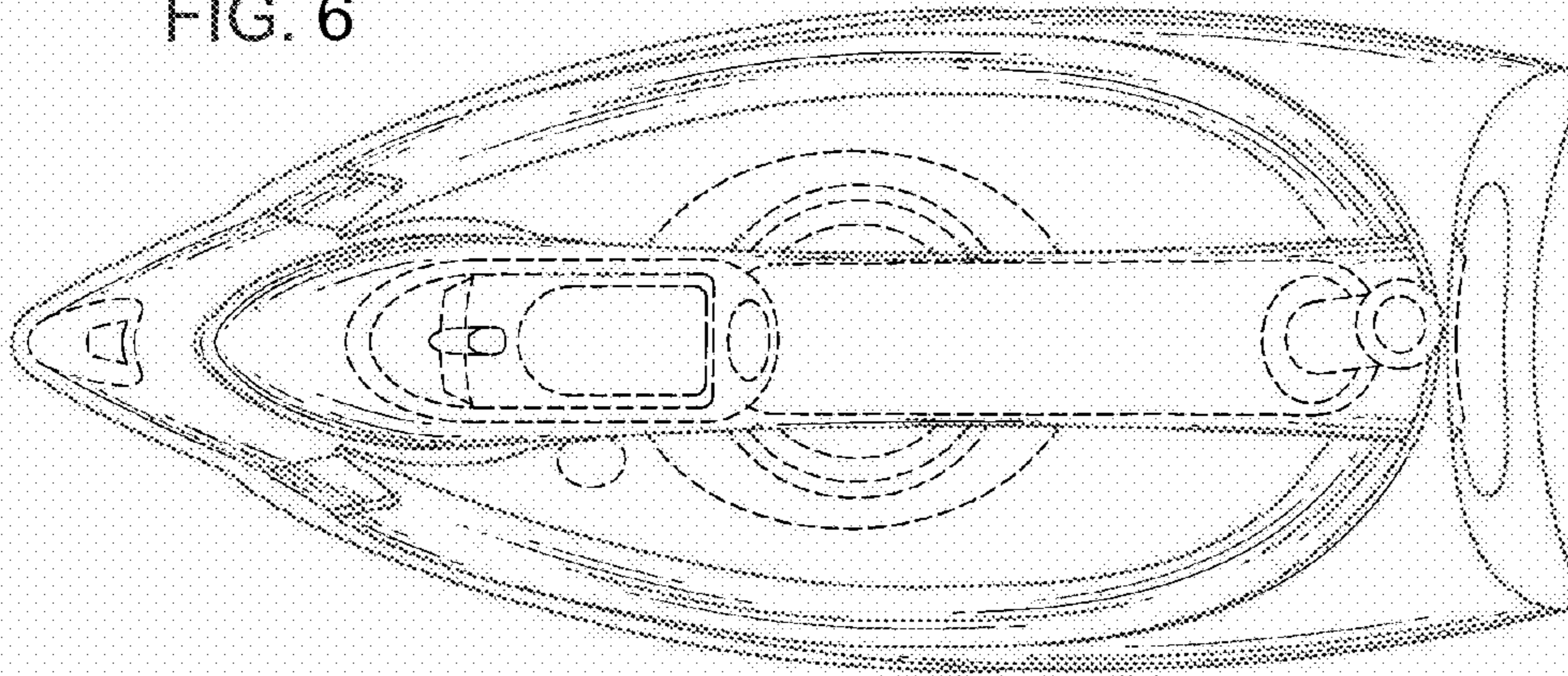


FIG. 7

