



US00D712108S

(12) **United States Design Patent**  
**Nho**

(10) **Patent No.:** **US D712,108 S**  
(45) **Date of Patent:** **\*\* Aug. 26, 2014**

- (54) **IRON**
- (71) Applicant: **Sunbeam Products, Inc.**, Boca Raton, FL (US)
- (72) Inventor: **Jongho Nho**, Palantine, IL (US)
- (73) Assignee: **Sunbeam Products, Inc.**, Boca Raton, FL (US)
- (\*\*) Term: **14 Years**
- (21) Appl. No.: **29/491,214**
- (22) Filed: **May 19, 2014**
- (51) **LOC (10) Cl.** ..... **07-05**
- (52) **U.S. Cl.**  
USPC ..... **D32/70**
- (58) **Field of Classification Search**  
CPC ..... D06F 75/34; D06F 75/08; D06F 75/38;  
D06F 75/00; F22B 27/14; B08B 3/006  
USPC ..... D32/73, 72, 71, 70, 69, 68, 35;  
392/404; 38/97, 96, 93, 88, 77.9,  
38/77.83, 77.82, 77.81, 77.8, 77.7, 77.6,  
38/77.5, 77.3, 77.1; 219/251, 245  
See application file for complete search history.

(56) **References Cited**

**U.S. PATENT DOCUMENTS**

- D269,133 S \* 5/1983 Ernest et al. .... D32/70
- D363,581 S \* 10/1995 Wilson et al. .... D32/70

- D376,234 S \* 12/1996 Hensel et al. .... D32/70
- D389,969 S \* 1/1998 Dziersk ..... D32/70
- D465,626 S \* 11/2002 Edmonds ..... D32/70
- D524,004 S \* 6/2006 Picozza et al. .... D32/70
- D580,119 S \* 11/2008 Pino et al. .... D32/70
- D629,991 S \* 12/2010 Day et al. .... D32/70
- D634,499 S \* 3/2011 Chinda ..... D32/70
- D635,730 S \* 4/2011 Choi et al. .... D32/70
- D654,240 S \* 2/2012 Choi et al. .... D32/70
- D663,088 S \* 7/2012 Choi et al. .... D32/70
- D676,210 S \* 2/2013 Sirard ..... D32/70
- 2010/0299975 A1 \* 12/2010 Thomas ..... 38/77.83
- 2010/0307034 A1 \* 12/2010 Knott et al. .... 38/77.5

\* cited by examiner

*Primary Examiner* — Austin Murphy

(74) *Attorney, Agent, or Firm* — Michael J. Corrigan

(57) **CLAIM**

The ornamental design for an iron, as shown and described.

**DESCRIPTION**

FIG. 1 is a front perspective view of the iron;  
 FIG. 2 is a front view thereof;  
 FIG. 3 is a rear view thereof;  
 FIG. 4 is a right side view thereof;  
 FIG. 5 is a left side view thereof;  
 FIG. 6 is a top plan view thereof; and,  
 FIG. 7 is a bottom plan view thereof.  
 The dashed lines in the drawings are for illustrative purposes only and form no part of the claimed design.

**1 Claim, 3 Drawing Sheets**

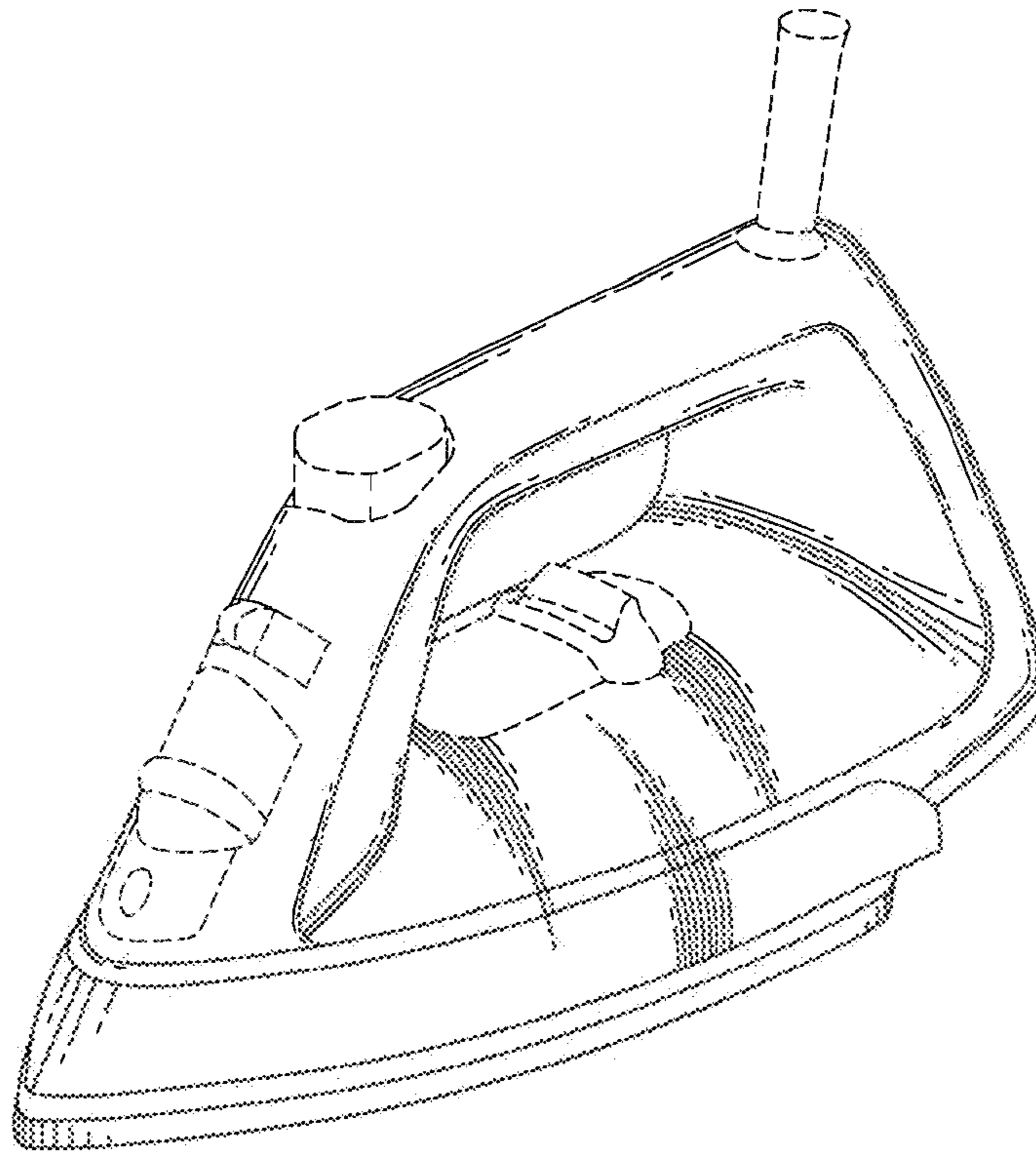


FIG. 1

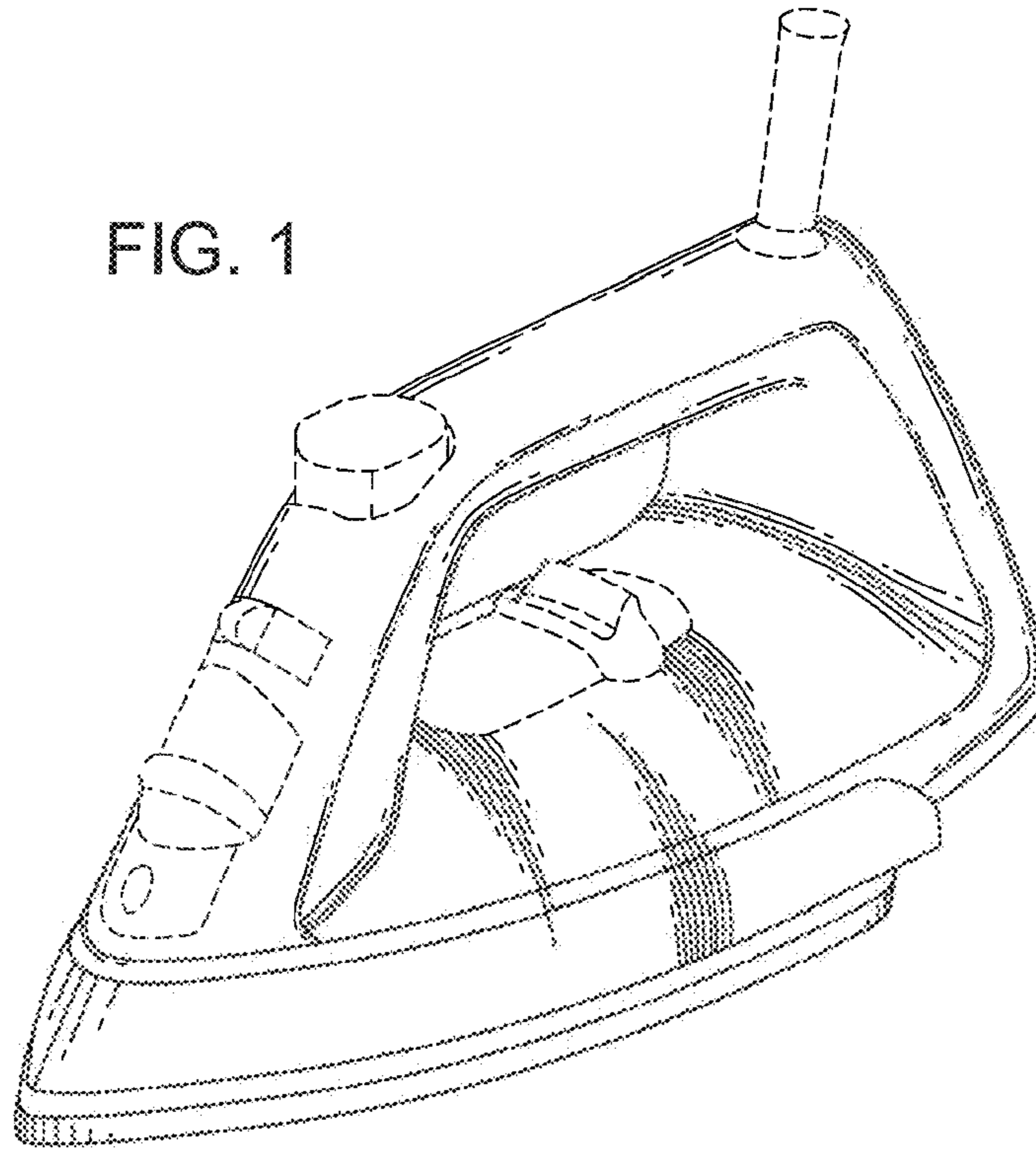


FIG. 2

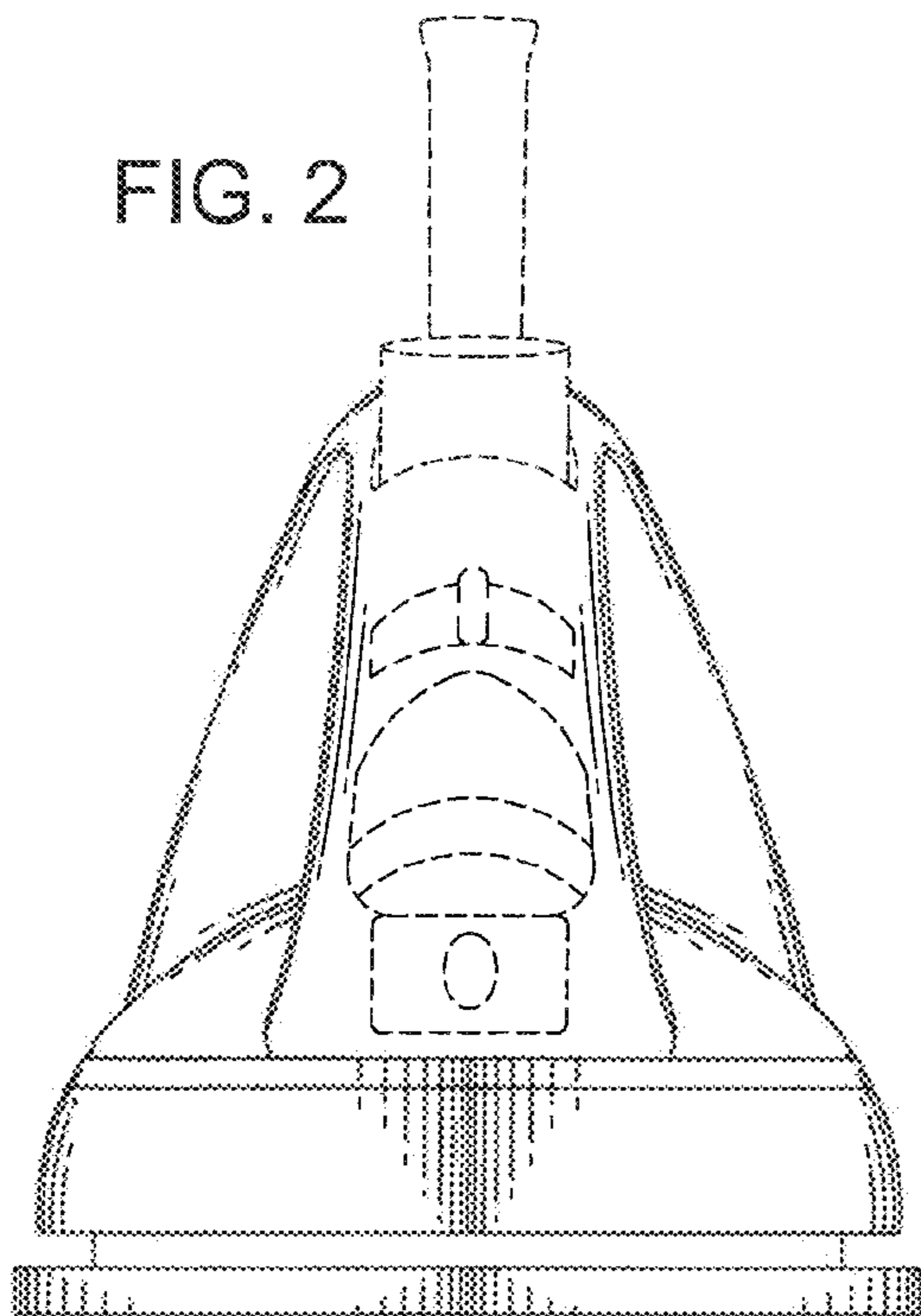


FIG. 3

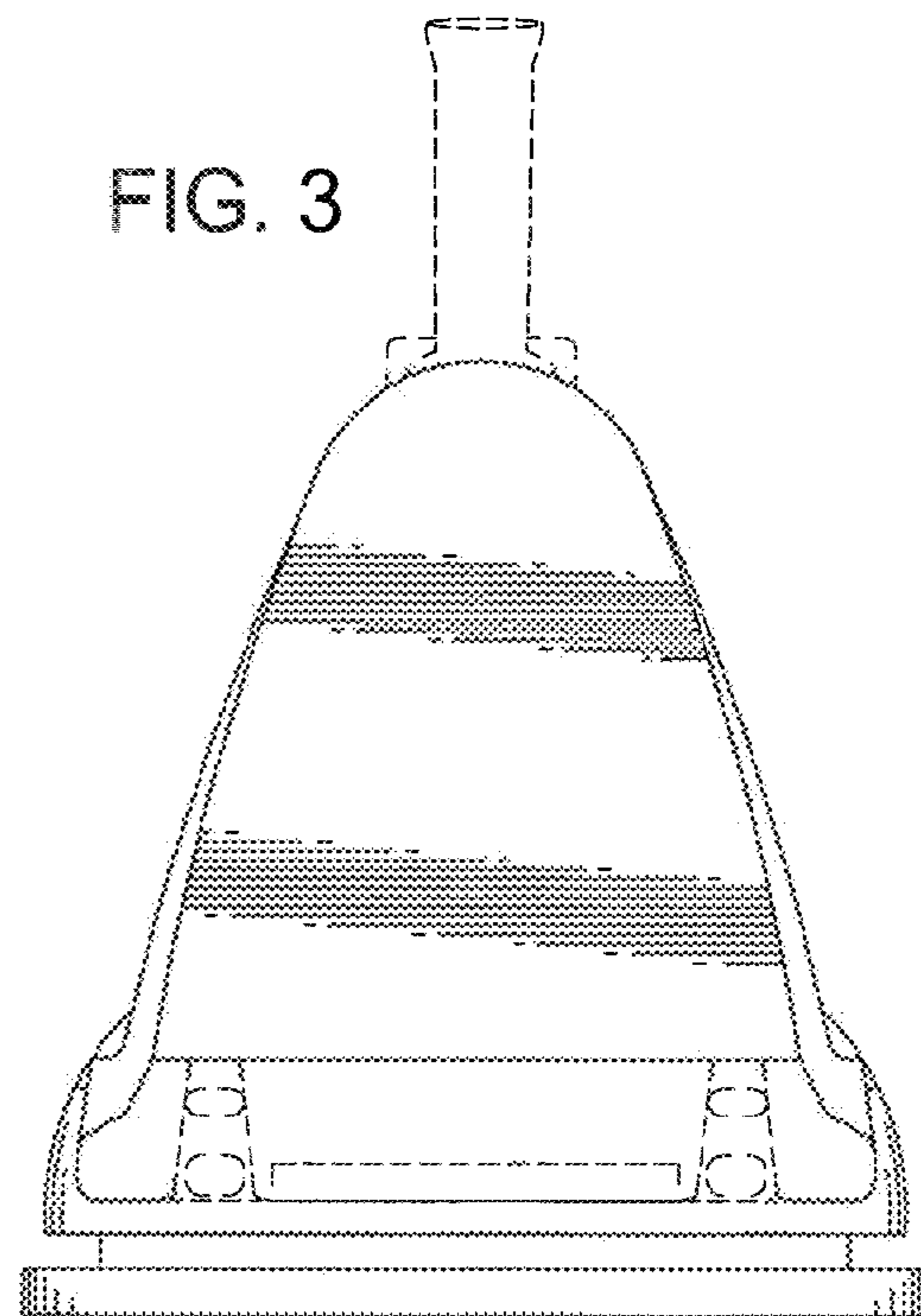


FIG. 4

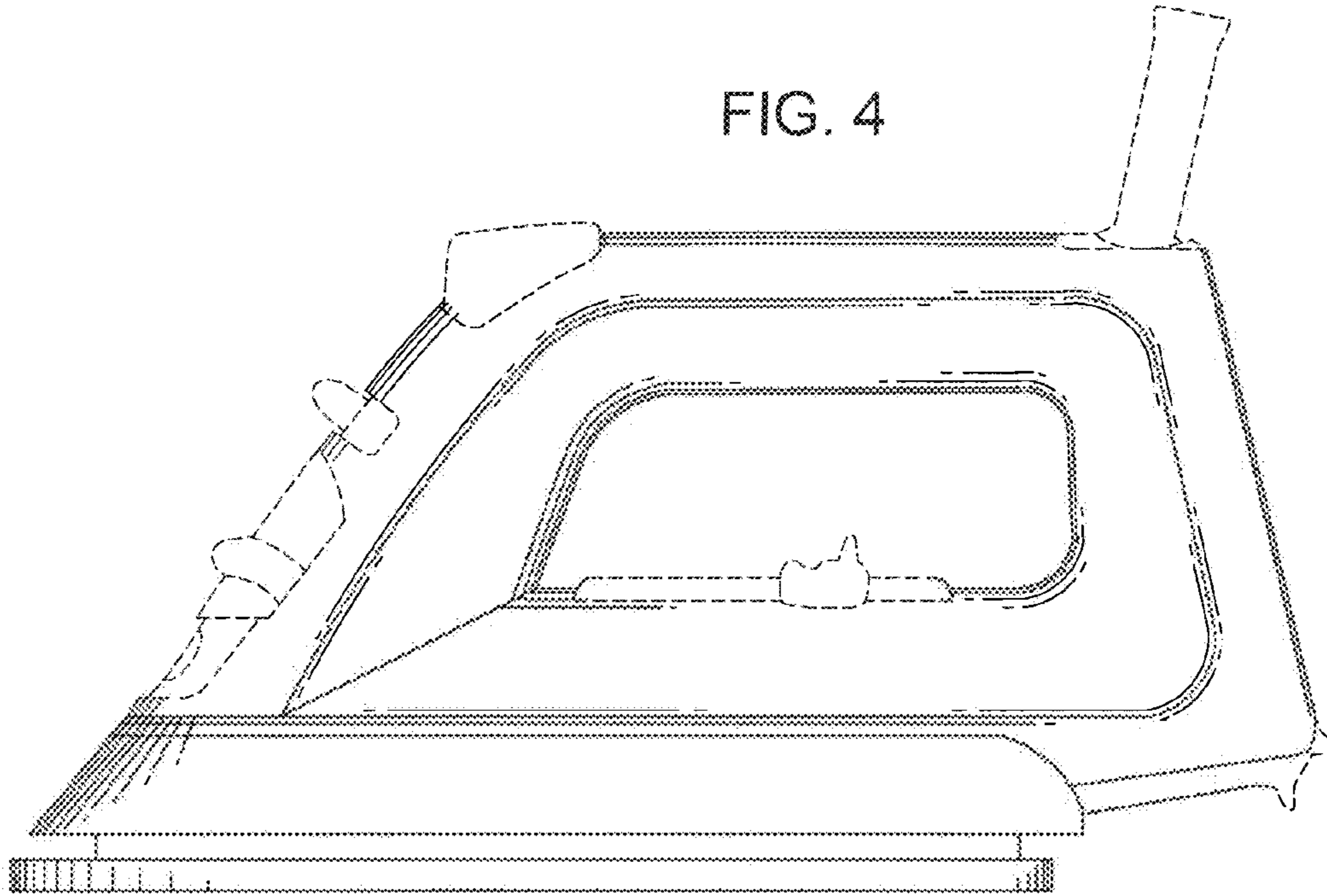


FIG. 5

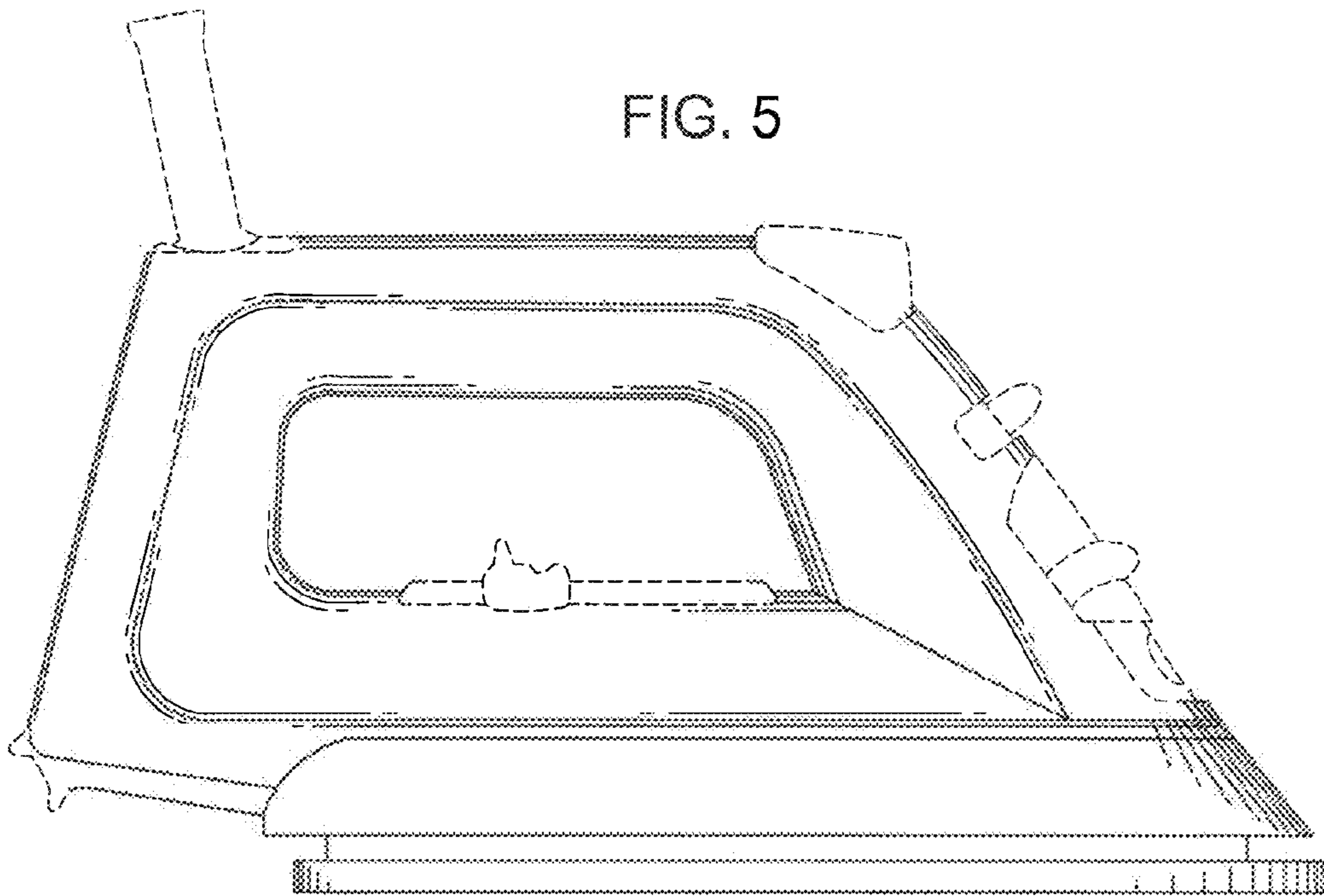


FIG. 6

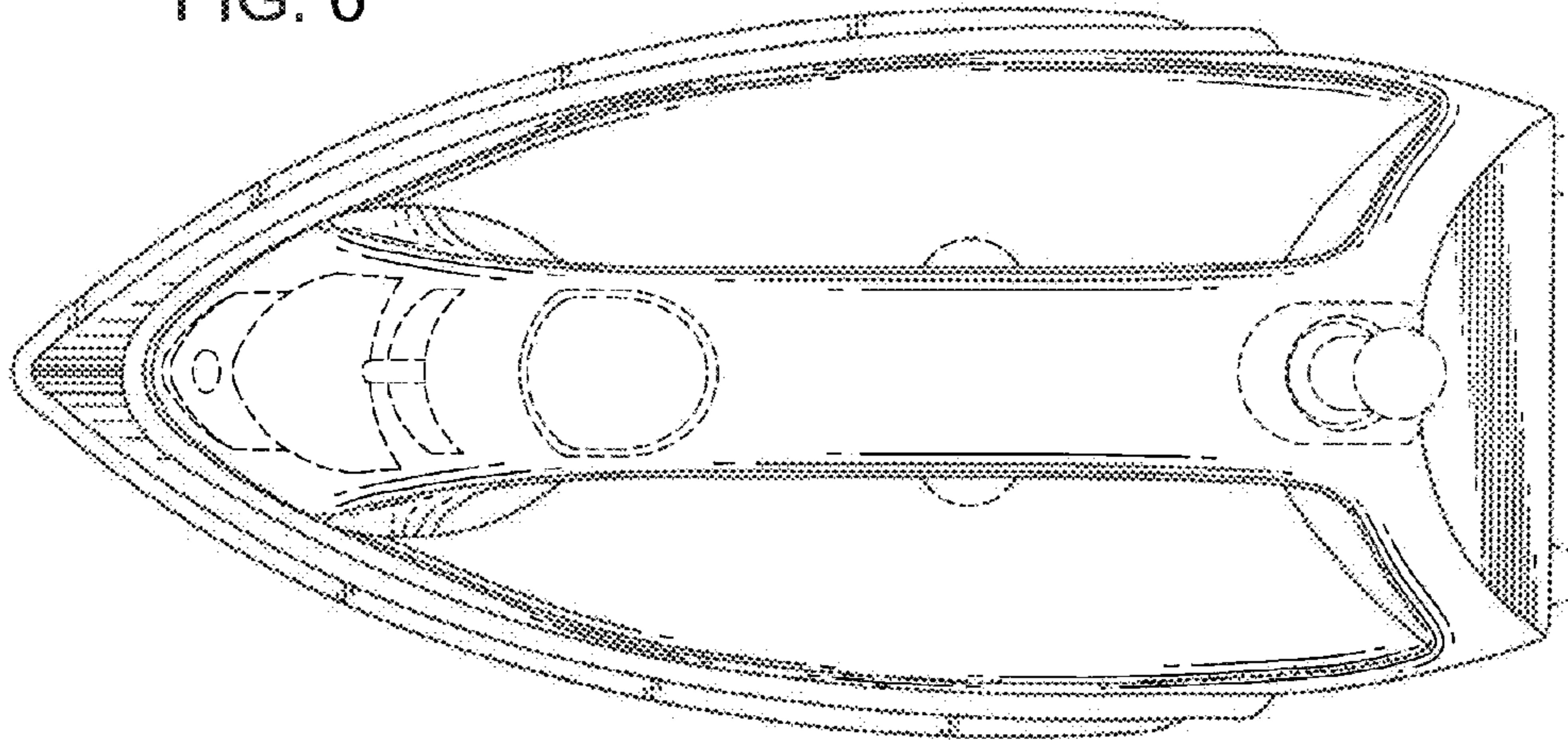


FIG. 7

