



US00D712107S

(12) **United States Design Patent**
Schnatter

(10) **Patent No.:** **US D712,107 S**

(45) **Date of Patent:** **** Aug. 26, 2014**

- (54) **SAUCE LEVELER DEVICE**
- (71) Applicant: **Papa John's International, Inc.**,
Louisville, KY (US)
- (72) Inventor: **John H. Schnatter**, Anchorage, KY
(US)
- (73) Assignee: **Papa John's International, Inc.**,
Louisville, KY (US)

1,017,753 A	2/1912	Harrison
1,383,603 A	7/1921	Craig
1,472,997 A	11/1923	Stevenson
1,700,585 A	1/1929	Grismer
1,760,722 A	5/1930	Sill

(Continued)

FOREIGN PATENT DOCUMENTS

EP	1714890 A1	10/2006
JP	09-039976 A	2/1997
JP	2006-271280 A	10/2006
JP	2009-115768 A	5/2009

OTHER PUBLICATIONS

International Search Report corresponding to PCT/US2011/050646, dated Apr. 10, 2012.

Primary Examiner — Robin V Webster

(74) *Attorney, Agent, or Firm* — RatnerPrestia

(**) Term: **14 Years**

(21) Appl. No.: **29/464,235**

(22) Filed: **Aug. 14, 2013**

Related U.S. Application Data

(63) Continuation of application No. 12/877,571, filed on Sep. 8, 2010, now abandoned.

(51) **LOC (10) Cl.** **07-07**

(52) **U.S. Cl.**
USPC **D32/53**

(58) **Field of Classification Search**
USPC D32/53, 53.1, 54; 220/755, 760, 764,
220/699; 16/425, 444
See application file for complete search history.

CLAIM

(57) The ornamental design for a sauce leveler device, as shown and described.

DESCRIPTION

FIG. 1 is a perspective view of the sauce leveler device connected to a container;

FIG. 2 is a front perspective view of the sauce leveler device of FIG. 1;

FIG. 3 is a top plan view of the sauce leveler device of FIG. 1;

FIG. 4 is bottom plan view of the sauce leveler device of FIG. 1;

FIG. 5 is a front elevation view of the sauce leveler device of FIG. 1; and,

FIG. 6 is an elevation view from the right side of the sauce leveler device of FIG. 1.

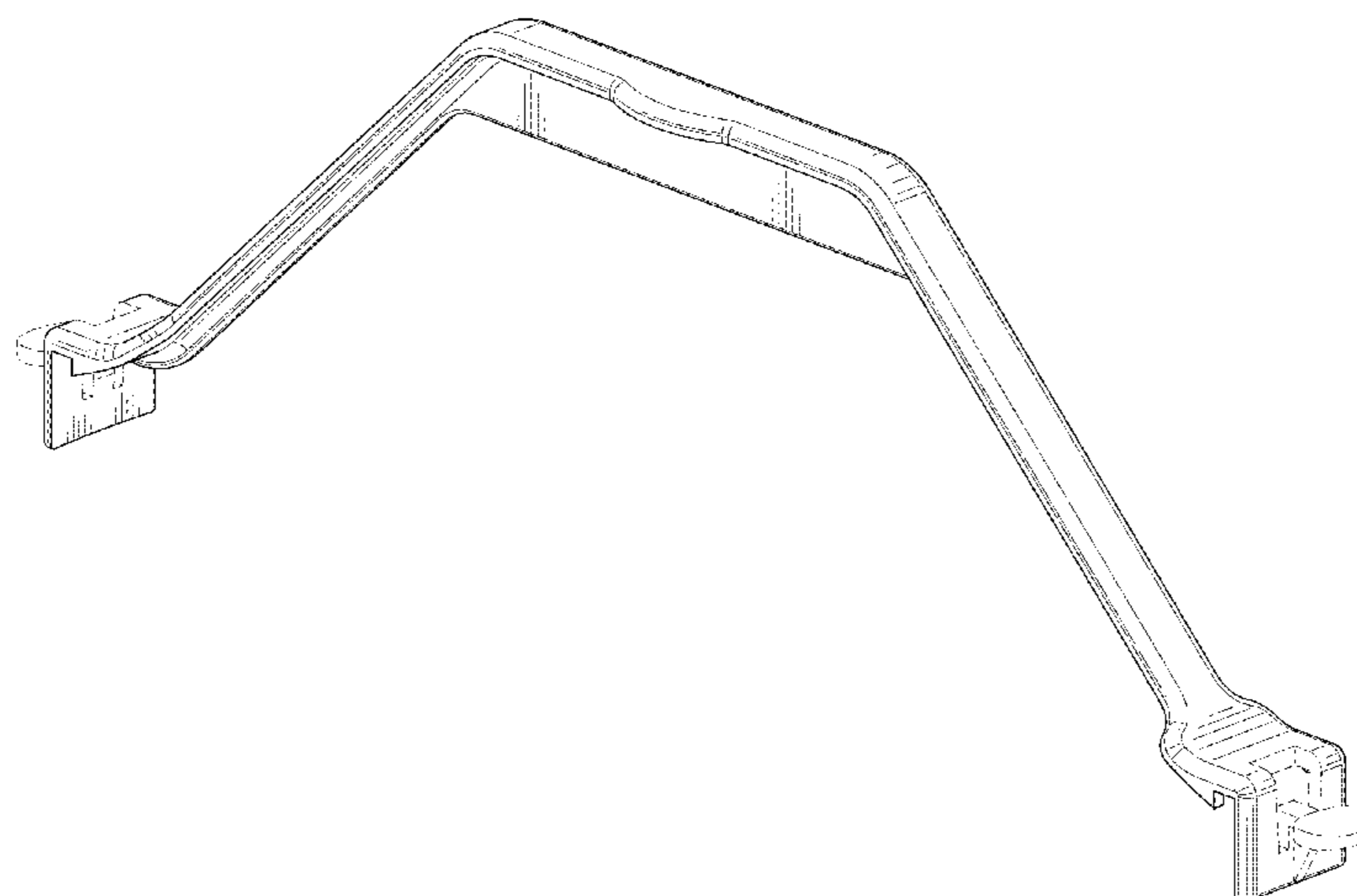
The features that are encircled by broken lines are for illustration only and form no part of the claimed design.

1 Claim, 6 Drawing Sheets

(56) **References Cited**

U.S. PATENT DOCUMENTS

375,517 A	12/1887	Vogel
439,432 A	10/1890	Schoch
464,393 A	12/1891	Scheid
642,346 A	1/1900	Madden
D32,443 S	4/1900	Zimmerman
820,081 A	5/1906	Alley et al,
852,256 A	4/1907	Boyd
853,493 A	5/1907	Bradbury
861,305 A	7/1907	McFadden
972,621 A	10/1910	Hutchison



(56)

References Cited

U.S. PATENT DOCUMENTS

1,833,212 A	11/1931	Gilmartin	3,701,558 A	10/1972	Baker
1,875,379 A	9/1932	Holmes	3,776,415 A	12/1973	Pfeffer
1,972,861 A	9/1934	Baillie	3,899,107 A	8/1975	Gaal
1,994,335 A	3/1935	Churan	3,923,191 A	12/1975	Johnson
2,026,536 A	1/1936	Hothersall	4,023,702 A	5/1977	McKnight
2,156,274 A	5/1939	Brown	4,127,915 A	12/1978	Logan et al.
2,221,355 A	11/1940	Longan	4,247,013 A	1/1981	O'Hori
2,320,262 A	5/1943	Campbell	4,283,951 A	8/1981	Varpio
2,329,507 A	9/1943	Andersen	4,674,144 A	6/1987	Palmeri
2,355,549 A	8/1944	Myers	D295,023 S	4/1988	Grinnell
2,452,025 A	10/1948	Dunn	4,911,319 A	3/1990	DeJean
2,459,466 A	1/1949	Spreen	4,912,808 A	4/1990	Blakely
RE23,911 E	12/1954	Tatter	5,195,662 A	3/1993	Neff
2,699,882 A	1/1955	Lieb	5,253,768 A	10/1993	Traversa et al.
2,730,266 A	1/1956	Coursey	5,297,695 A	3/1994	Provence
2,765,094 A	10/1956	Ryan	5,445,425 A	8/1995	Lyver
2,806,732 A	9/1957	Montanaro	5,626,319 A	5/1997	Fusillo
2,812,103 A	11/1957	Walker et al.	5,771,536 A	6/1998	Sieg et al.
2,815,146 A	12/1957	Silver	5,924,593 A	7/1999	Rutledge et al.
2,837,256 A	6/1958	Daner	D415,597 S	10/1999	Neff
2,852,144 A	9/1958	Reno	5,975,368 A	11/1999	Wood
2,873,052 A	2/1959	Atherton	6,213,338 B1	4/2001	Cogdill
2,913,275 A	11/1959	La Rocca	D446,618 S	8/2001	Clark
2,919,828 A	1/1960	Lemke	6,352,169 B2	3/2002	Foster
2,943,761 A	7/1960	Monier	6,470,745 B1	10/2002	Reay et al.
2,960,257 A	11/1960	Sasso	6,494,341 B2	12/2002	Perkins et al.
3,019,939 A	2/1962	Brown	6,536,078 B2	3/2003	Tsai
3,049,926 A	8/1962	Victor	D498,339 S	11/2004	Doelling
3,061,140 A	10/1962	Barnes	6,820,848 B1	11/2004	Adam
3,133,668 A	5/1964	Heise	D510,522 S	10/2005	Laveault et al.
3,220,048 A	11/1965	Tohchung	6,974,056 B2	12/2005	Rea
3,291,337 A	12/1966	Jenkins	D530,052 S	10/2006	Berti
3,329,307 A	7/1967	Jacobson	7,425,028 B1	9/2008	Angel et al.
3,424,351 A	1/1969	Rusak et al.	7,520,547 B2	4/2009	Cornelissen
3,586,200 A	6/1971	Kramer et al.	D631,630 S	1/2011	Berti
			D642,348 S	7/2011	Palmer
			D655,471 S *	3/2012	Schnatter D32/53
			2005/0133518 A1	6/2005	Chornenky

* cited by examiner

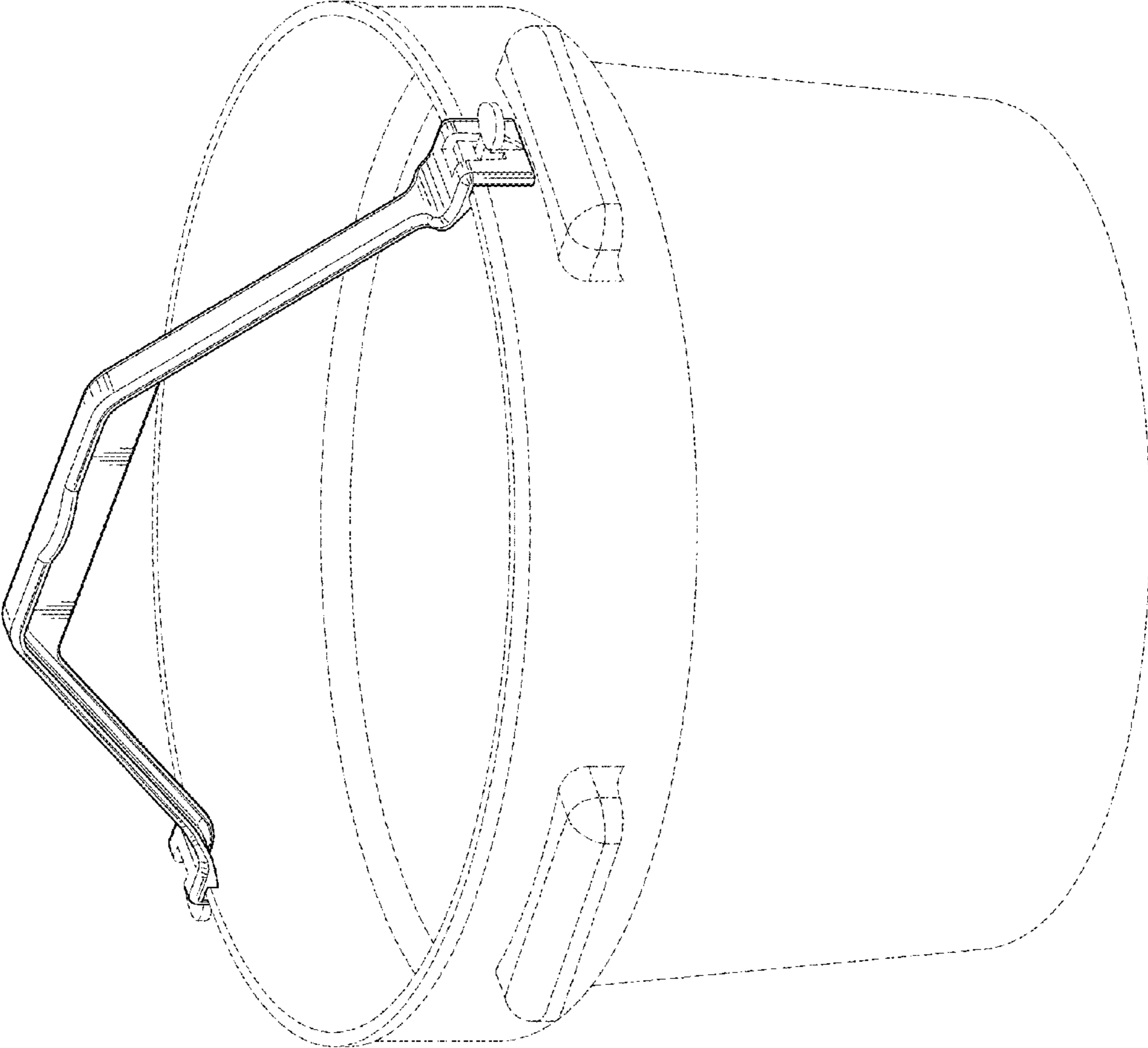


FIG. 1

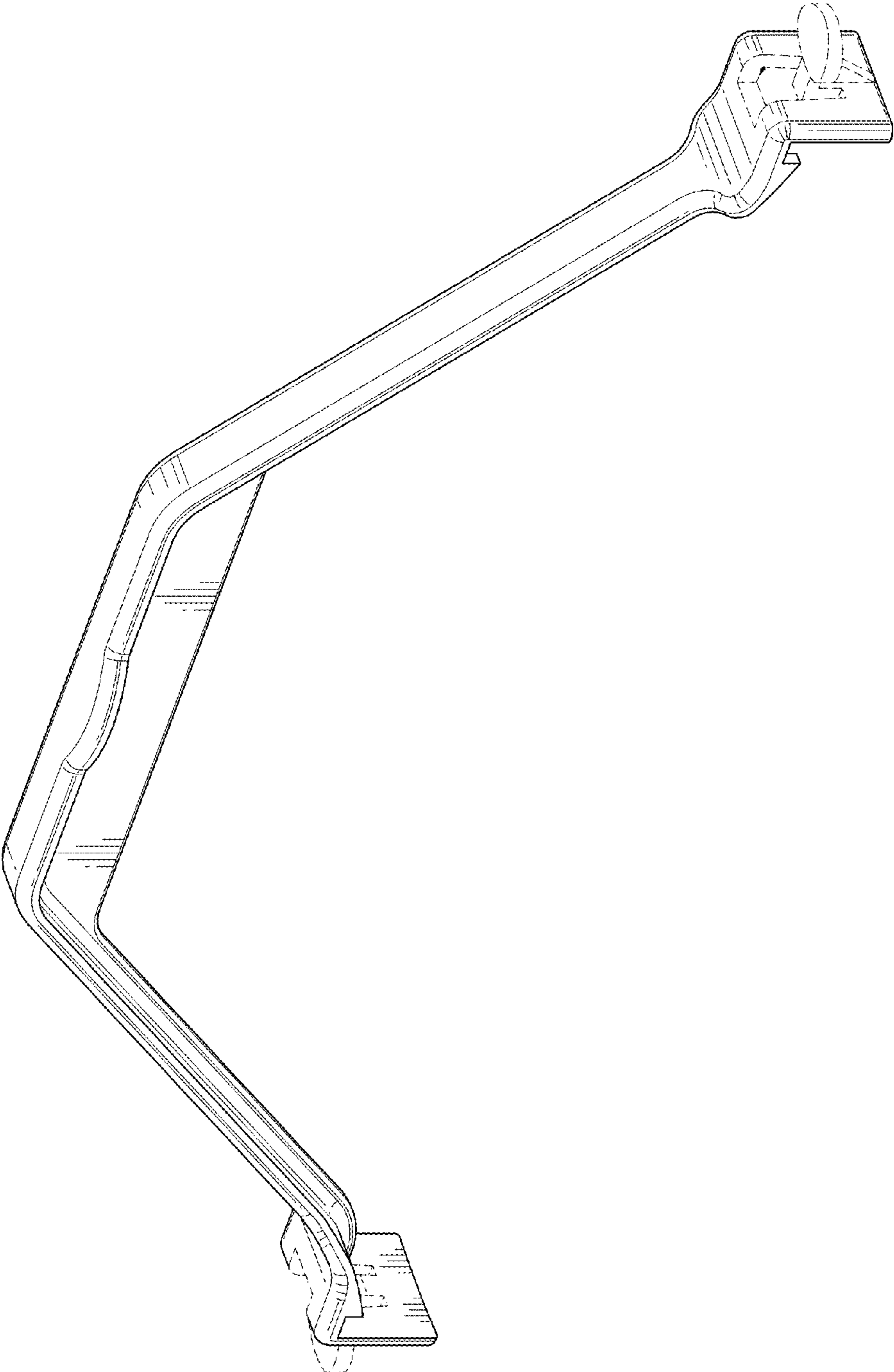


FIG. 2

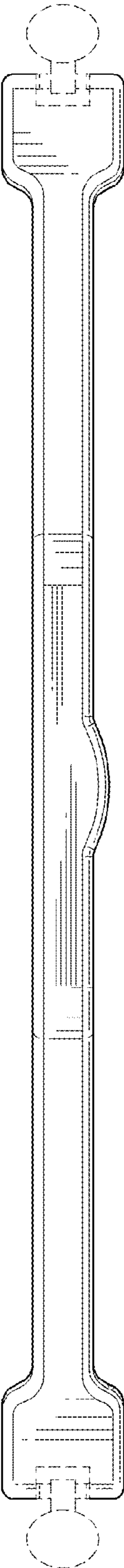


FIG. 3

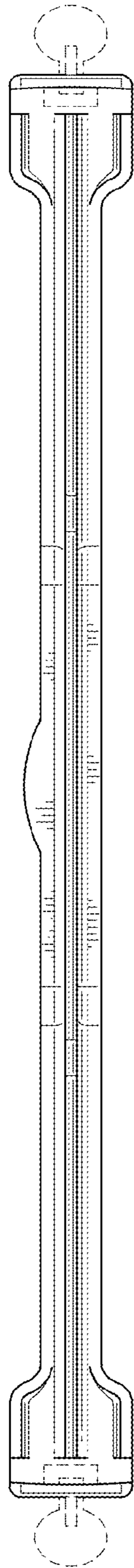


FIG. 4

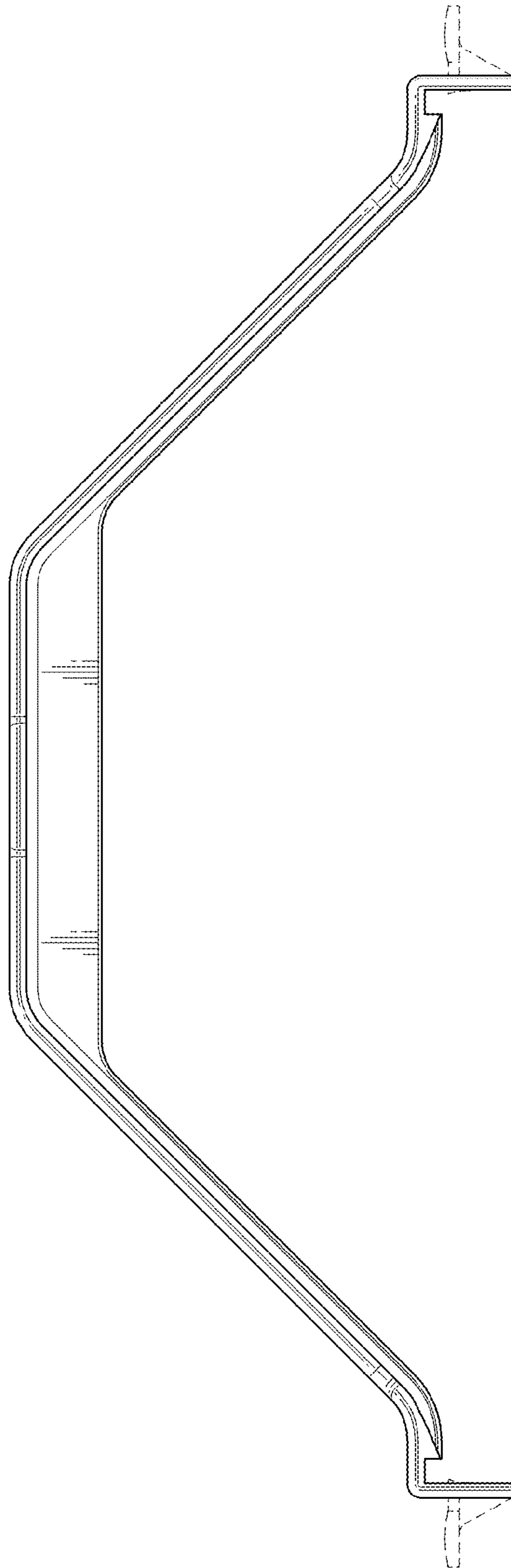


FIG. 5

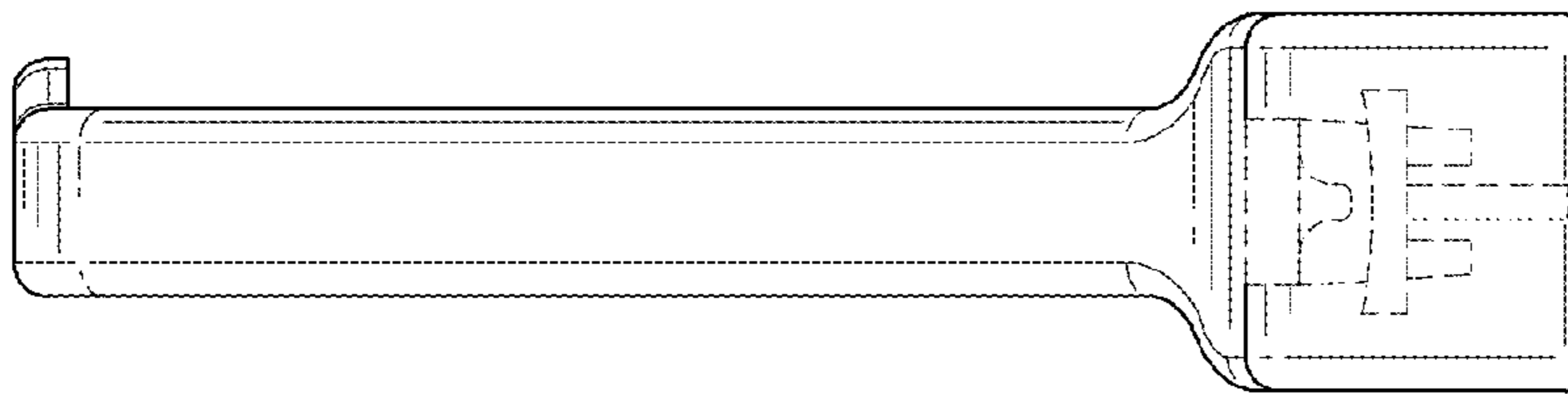


FIG. 6