



US00D712104S

(12) **United States Design Patent**
Stickney et al.

(10) **Patent No.:** **US D712,104 S**

(45) **Date of Patent:** **** Aug. 26, 2014**

(54) **PART OF A VACUUM CLEANER**

(56) **References Cited**

(71) Applicant: **Dyson Technology Limited**, Wiltshire (GB)

U.S. PATENT DOCUMENTS

(72) Inventors: **Timothy Nicholas Stickney**, Malmesbury (GB); **Jonathan George Marsh**, Malmesbury (GB); **Stuart Lloyd Genn**, Malmesbury (GB)

D290,419	S	*	6/1987	Strohmeier	D32/32
D462,814	S	*	9/2002	Sugimoto	D32/22
D487,827	S	*	3/2004	Iike et al.	D32/32
D600,869	S	*	9/2009	Dyson et al.	D32/32
D616,165	S	*	5/2010	McLeod et al.	D32/32
D621,108	S	*	8/2010	Santiago	D32/32
D640,431	S	*	6/2011	Houghton	D32/33
D678,635	S	*	3/2013	Gammack et al.	D32/32
D686,379	S	*	7/2013	Kim et al.	D32/32
2010/0236017	A1	*	9/2010	Krebs	15/363
2013/0042429	A1	*	2/2013	Misumi et al.	15/415.1
2013/0212832	A1	*	8/2013	Genn et al.	15/383

(73) Assignee: **Dyson Technology Limited**, Malmesbury, Wiltshire (GB)

(**) Term: **14 Years**

* cited by examiner

(21) Appl. No.: **29/452,589**

Primary Examiner — Ruth McInroy

(22) Filed: **Apr. 18, 2013**

(74) *Attorney, Agent, or Firm* — Morrison & Foerster LLP

(30) **Foreign Application Priority Data**

(57) **CLAIM**

We claim the ornamental design for a part of a vacuum cleaner, as shown and described.

Oct. 19, 2012 (EM) 001347942-0002

(51) **LOC (10) Cl.** **15-05**

(52) **U.S. Cl.**
USPC **D32/32**

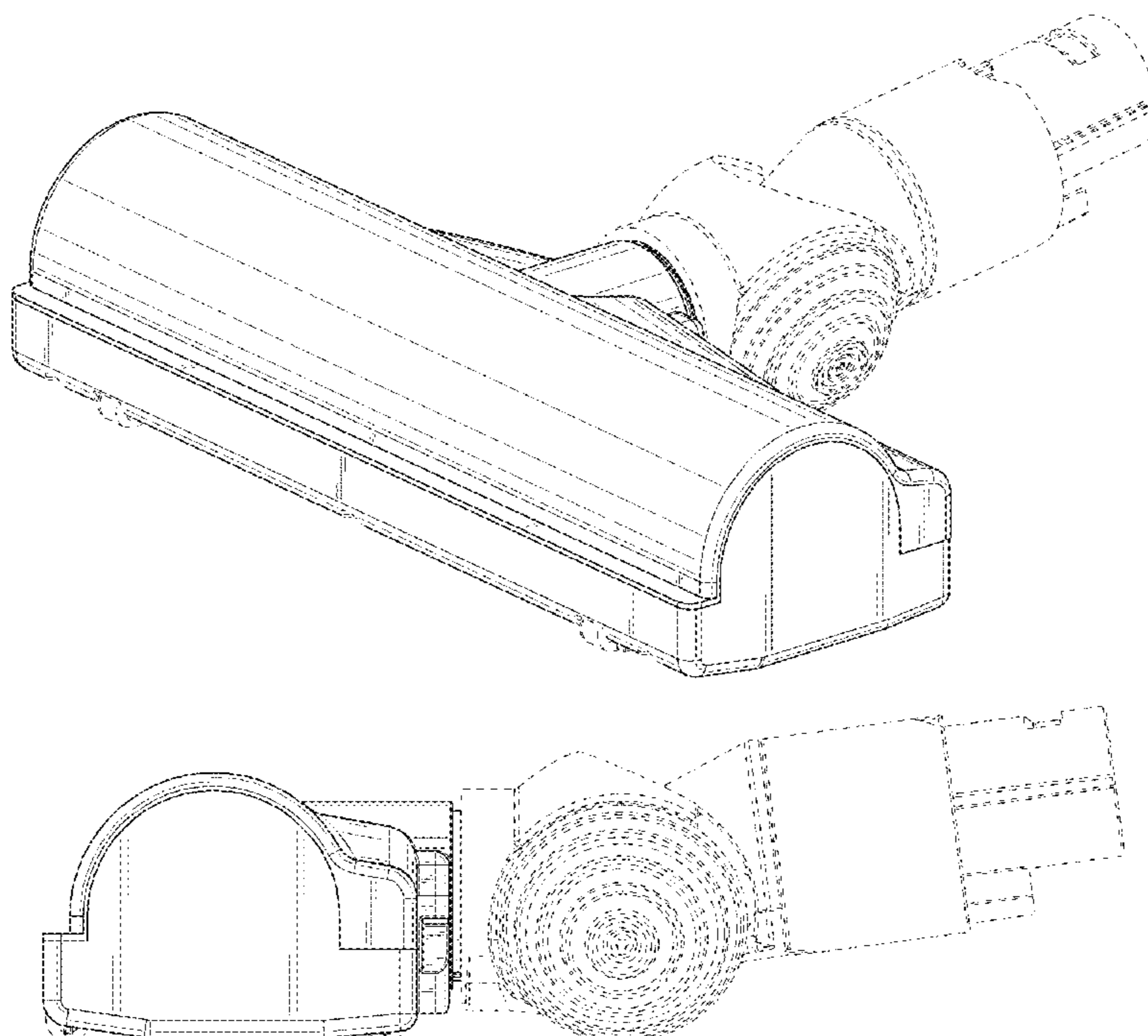
(58) **Field of Classification Search**
USPC D32/17, 22, 31-33, 50; 15/415.1-422, 15/1, 400, 414, 328, 329, 320, 22, 353, 15/361, 410, 383, 363, 327.1, 405, 246.2, 15/246.3, 4, 412, 396-399, 393, 98; 285/7

DESCRIPTION

FIG. 1 is a perspective view of a part of a vacuum cleaner showing our new design;
FIG. 2 is a front view thereof;
FIG. 3 is a rear view thereof;
FIG. 4 is a side view thereof;
FIG. 5 is a side view of the opposite side of FIG. 4;
FIG. 6 is a top view thereof; and,
FIG. 7 is a bottom view thereof.
The details shown in broken lines form no part of the claimed design.

See application file for complete search history.

1 Claim, 5 Drawing Sheets



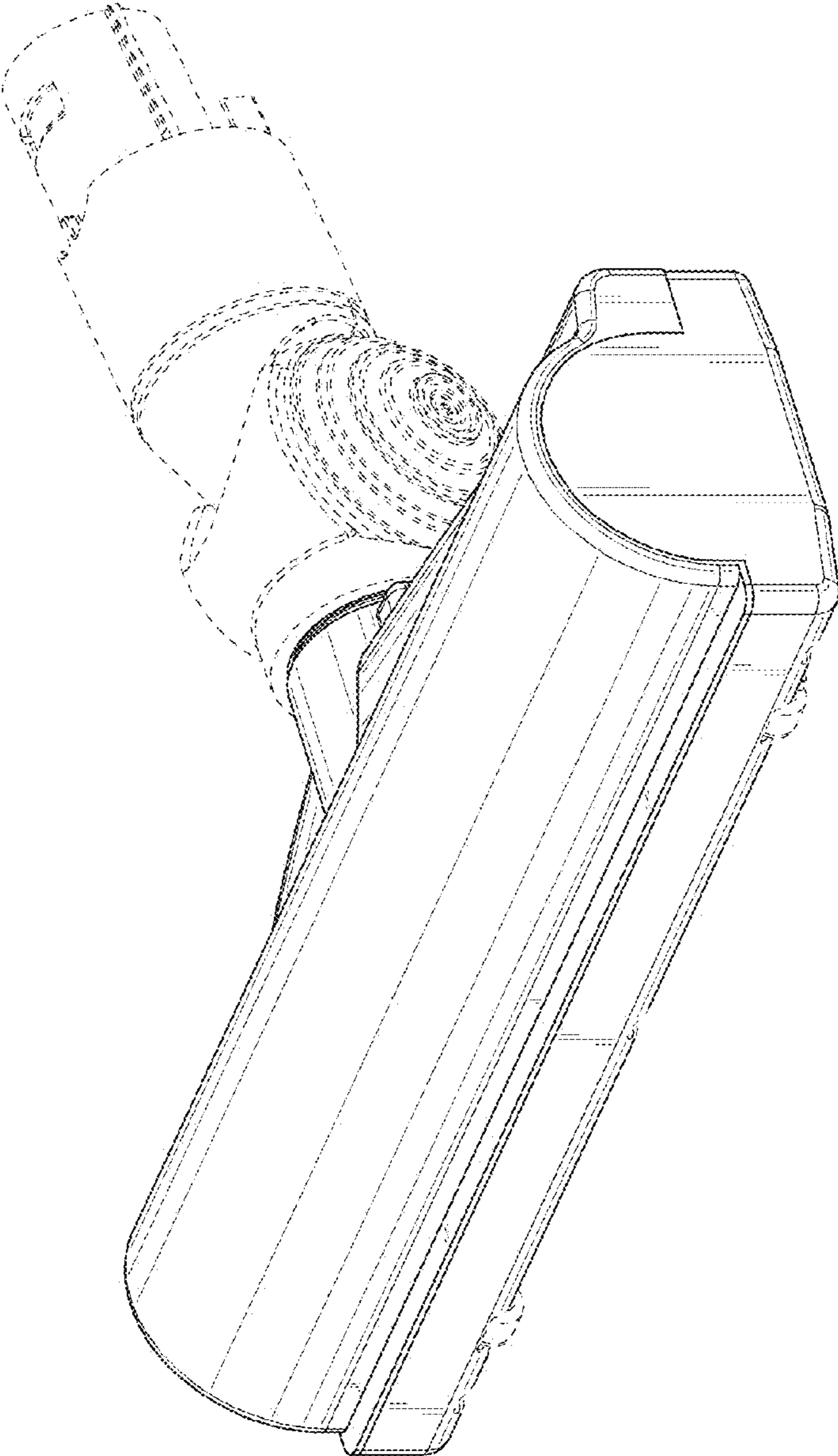


FIG. 1

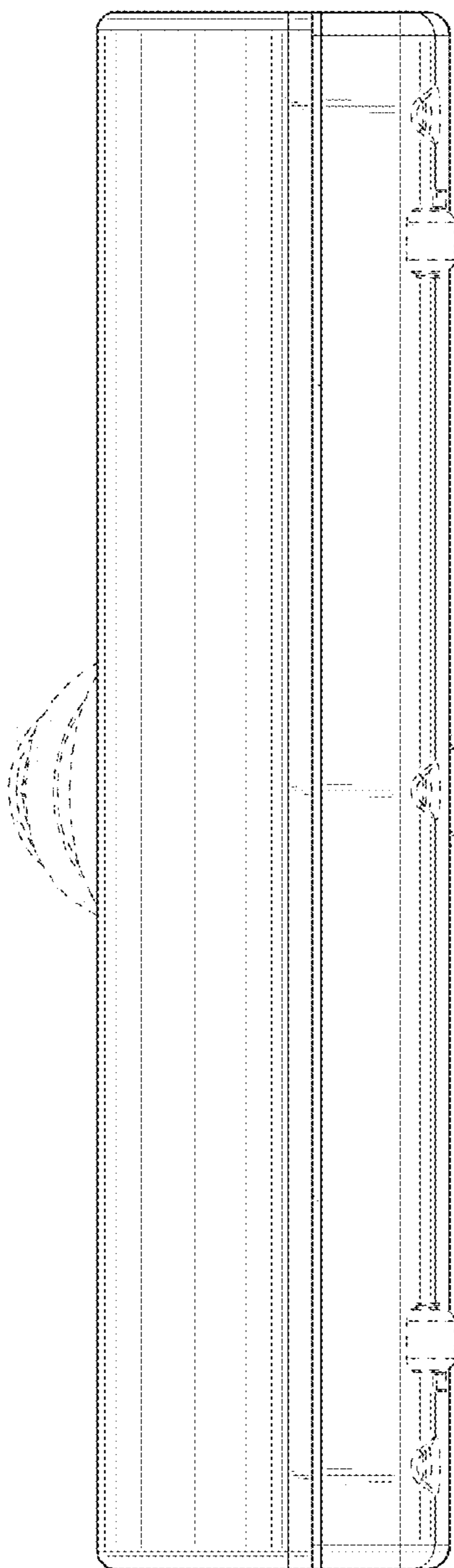


FIG. 2

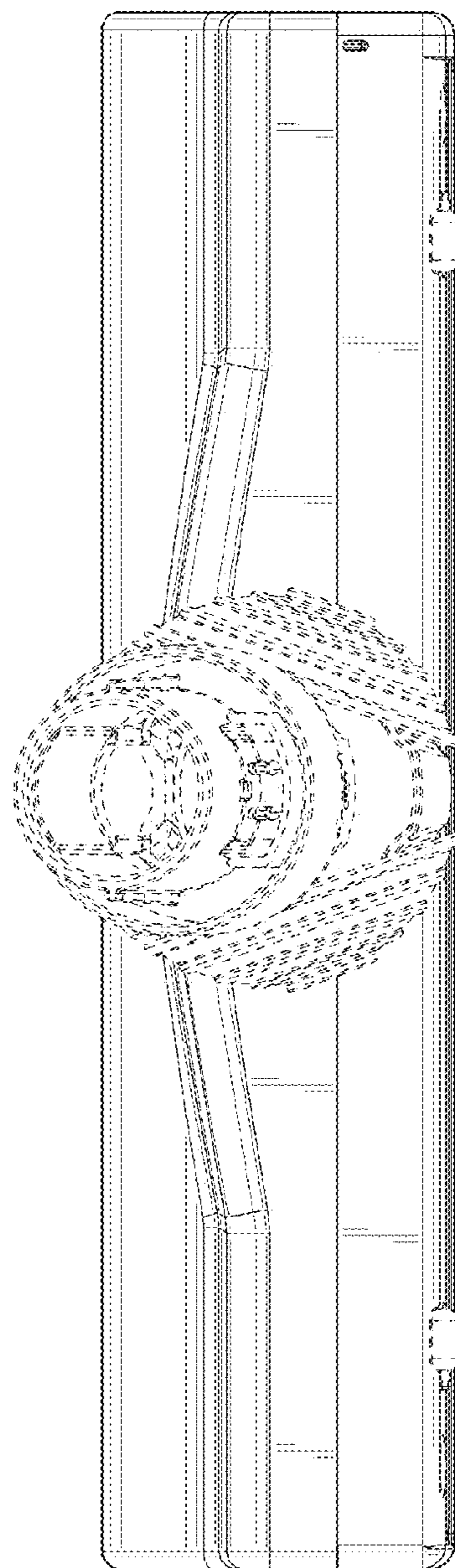


FIG. 3

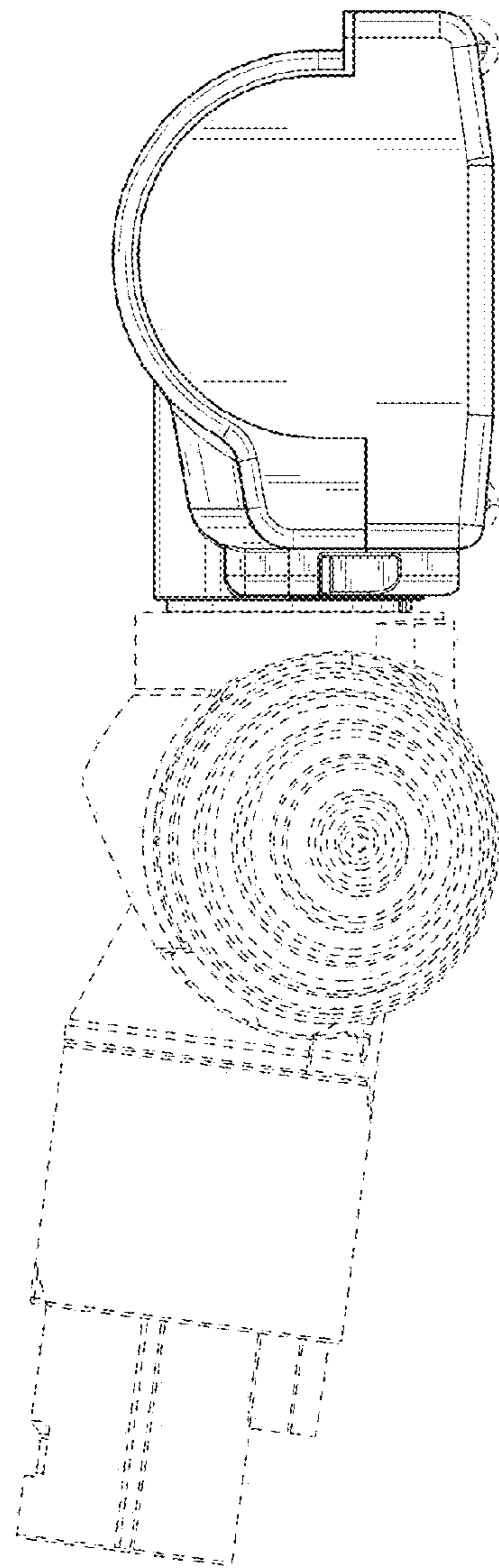


FIG. 4

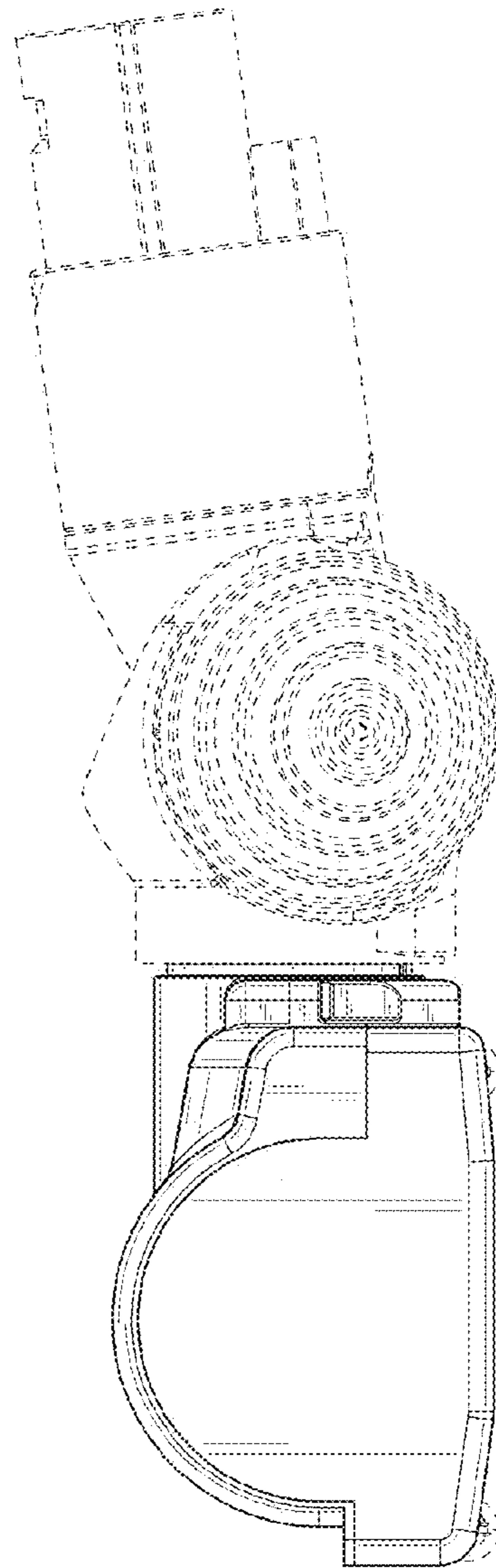


FIG. 5

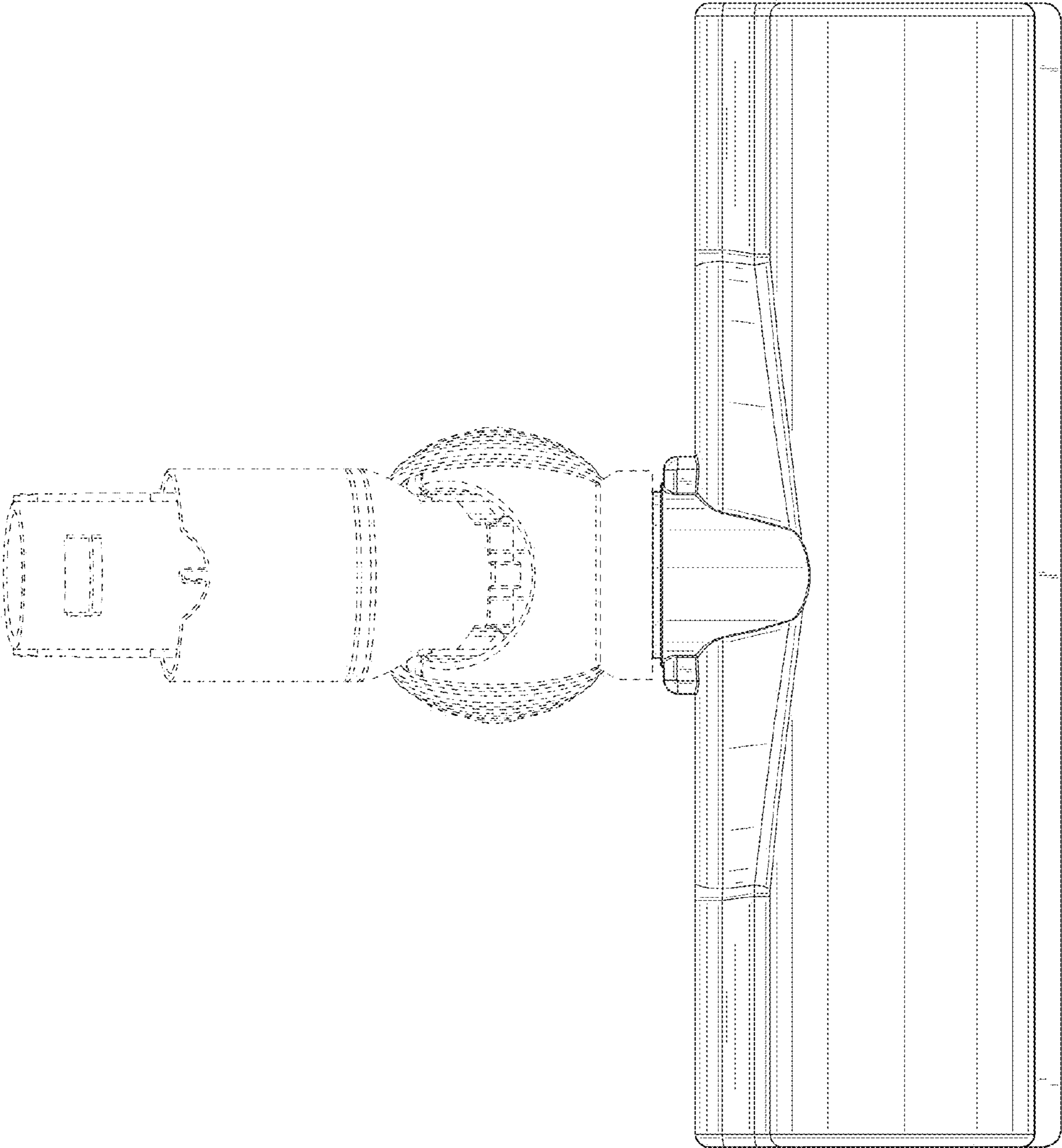


FIG. 6

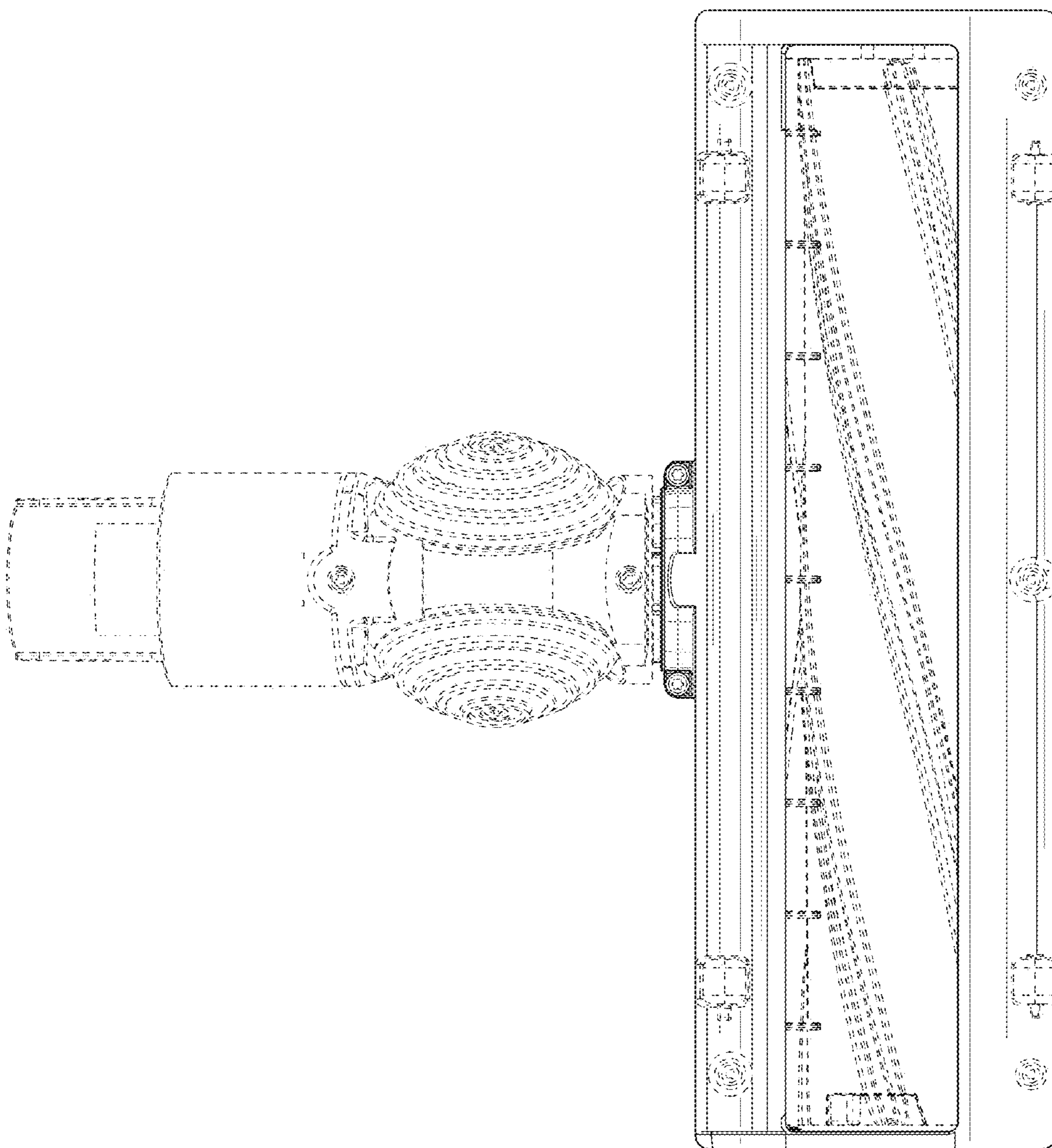


FIG. 7