



US00D712103S

(12) **United States Design Patent**
Guder et al.

(10) **Patent No.:** **US D712,103 S**

(45) **Date of Patent:** **** Aug. 26, 2014**

(54) **PART OF A VACUUM CLEANER**

(56) **References Cited**

(71) Applicant: **Dyson Technology Limited**, Wiltshire (GB)

U.S. PATENT DOCUMENTS

(72) Inventors: **Christian Guder**, Malmesbury (GB);
Robert Hinchliffe, Malmesbury (GB);
James Dyson, Malmesbury (GB)

D487,947	S	*	3/2004	Pecci et al.	D32/32
D490,950	S	*	6/2004	Pecci et al.	D32/32
D612,116	S	*	3/2010	Nicholas	D32/33
D629,982	S	*	12/2010	Rossano et al.	D32/33
D681,899	S	*	5/2013	Bilger et al.	D32/50
2007/0169289	A1	*	7/2007	Hanvey et al.	15/1.7
2012/0204378	A1	*	8/2012	Conrad	15/329
2013/0174374	A1	*	7/2013	Guder et al.	15/415.1

(73) Assignee: **Dyson Technology Limited**, Malmesbury, Wiltshire (GB)

* cited by examiner

(**) Term: **14 Years**

Primary Examiner — Ruth McInroy

(21) Appl. No.: **29/450,794**

(74) *Attorney, Agent, or Firm* — Morrison & Foerster LLP

(22) Filed: **Mar. 22, 2013**

(57) **CLAIM**

We claim the ornamental design for a part of a vacuum cleaner, as shown and described.

(30) **Foreign Application Priority Data**

DESCRIPTION

Sep. 26, 2012 (EM) 001344907-0002

(51) **LOC (10) Cl.** **15-05**

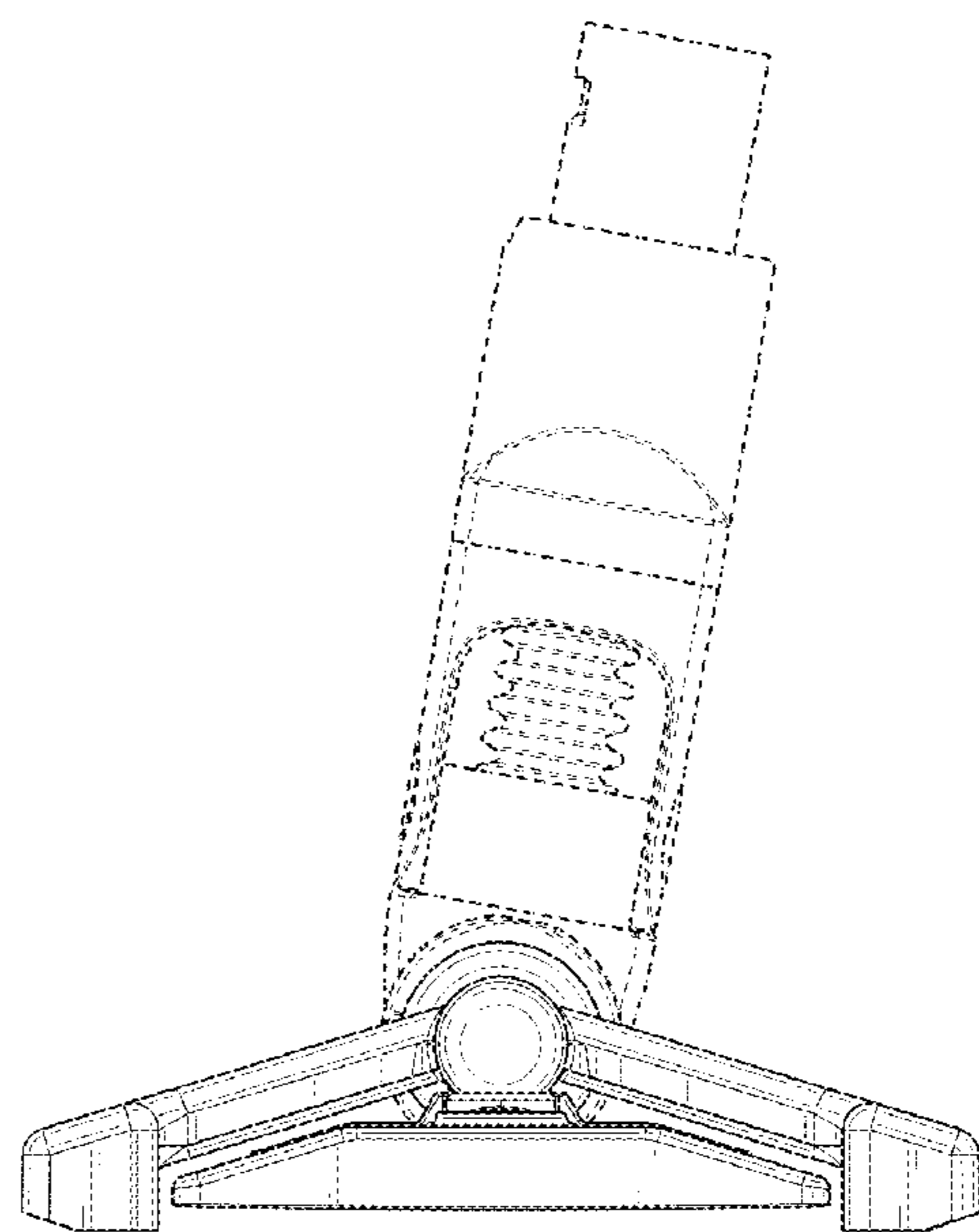
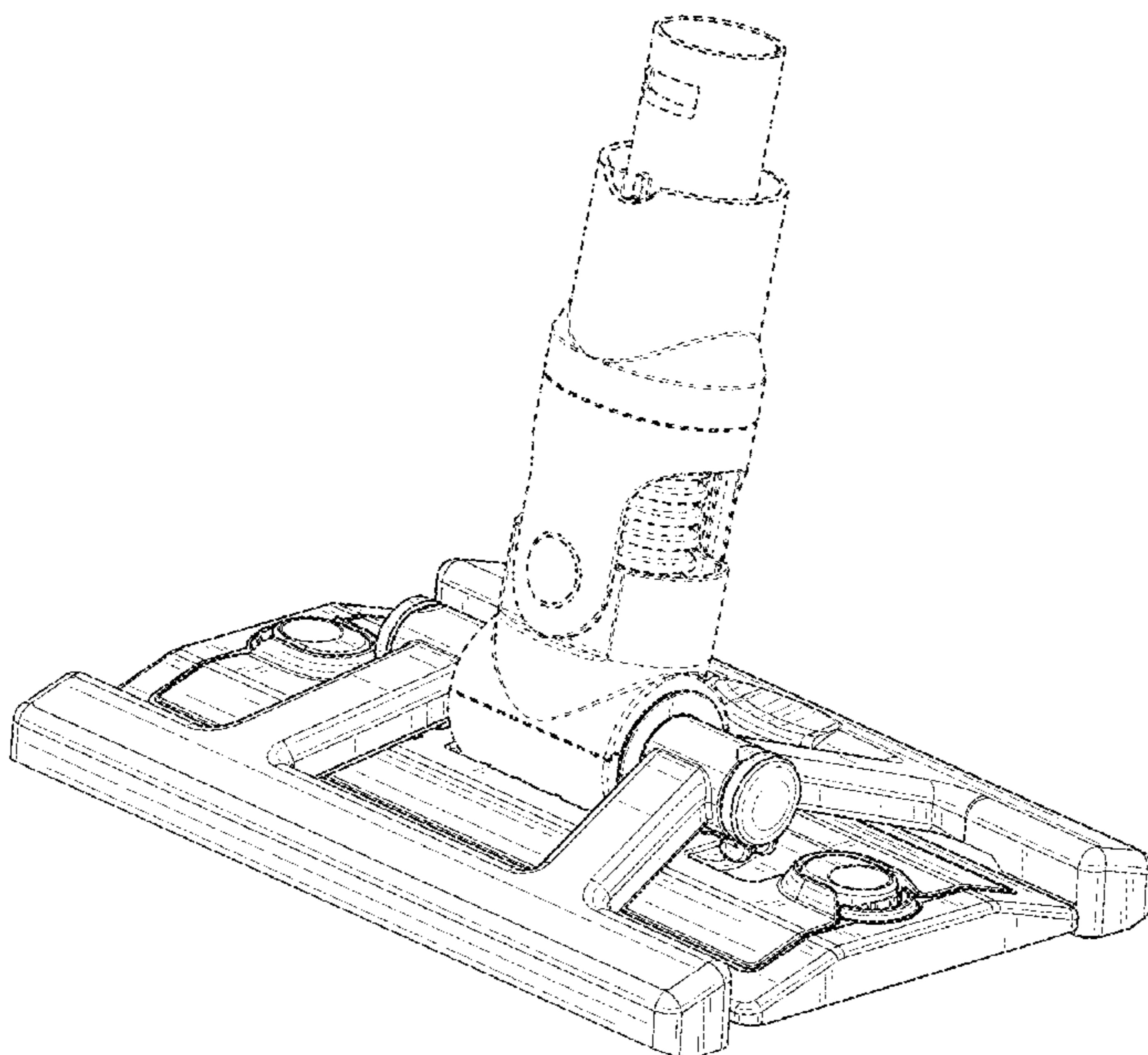
(52) **U.S. Cl.**
USPC **D32/32**

(58) **Field of Classification Search**
USPC D32/17, 22, 31-33, 50; 15/415.1-422,
15/1, 400, 414, 328, 329, 320, 22, 353,
15/361, 410, 383, 363, 327.1, 405, 246.2,
15/246.3, 4, 412, 396-399, 393, 98; 285/7

See application file for complete search history.

FIG. 1 is a perspective view of a part of a vacuum cleaner showing our new design;
FIG. 2 is a top view thereof;
FIG. 3 is a bottom view thereof;
FIG. 4 is a front view thereof;
FIG. 5 is a rear view thereof;
FIG. 6 is a side view thereof; and,
FIG. 7 is a side view of the opposite side of FIG. 6.

1 Claim, 7 Drawing Sheets



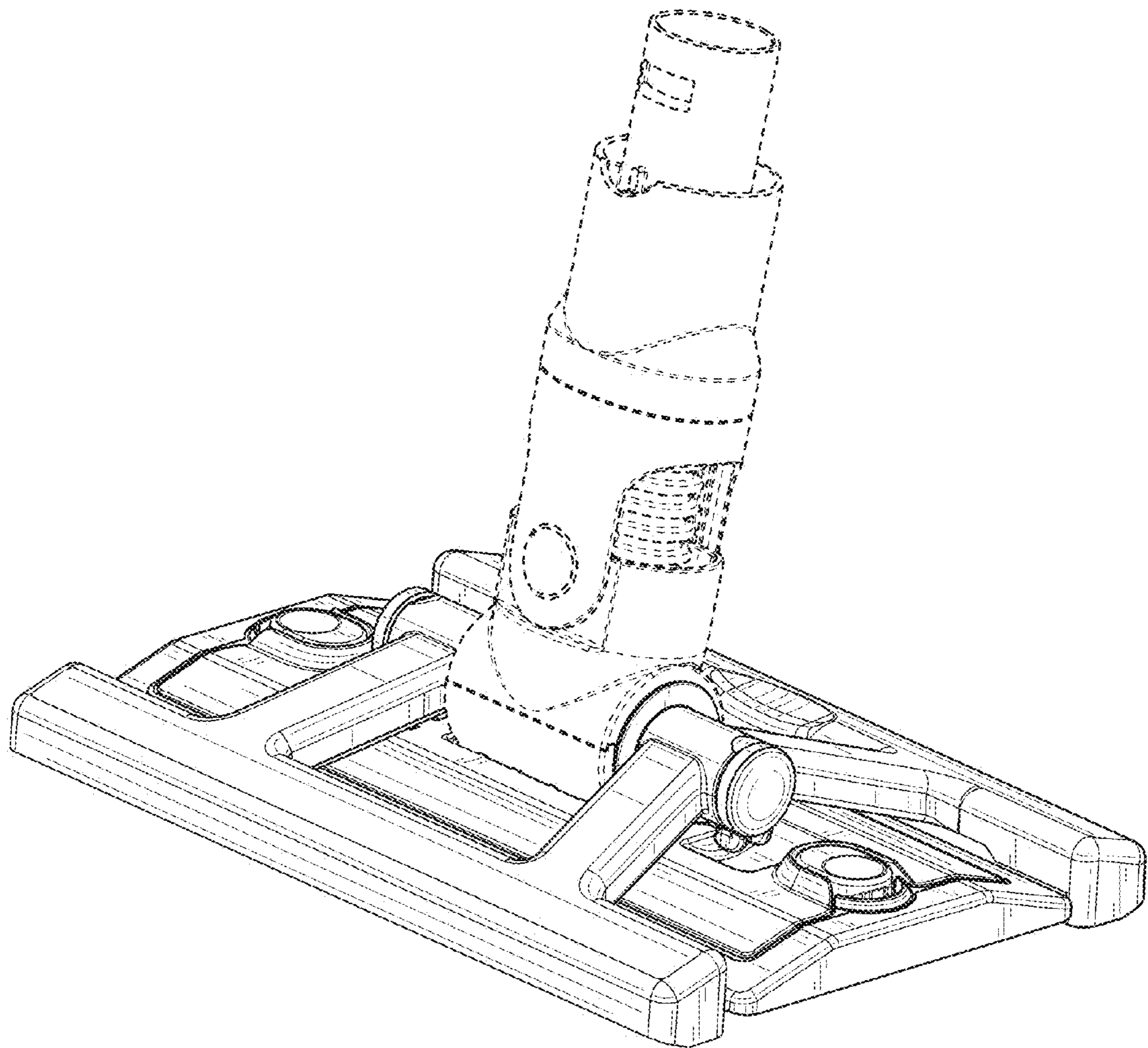


FIG. 1

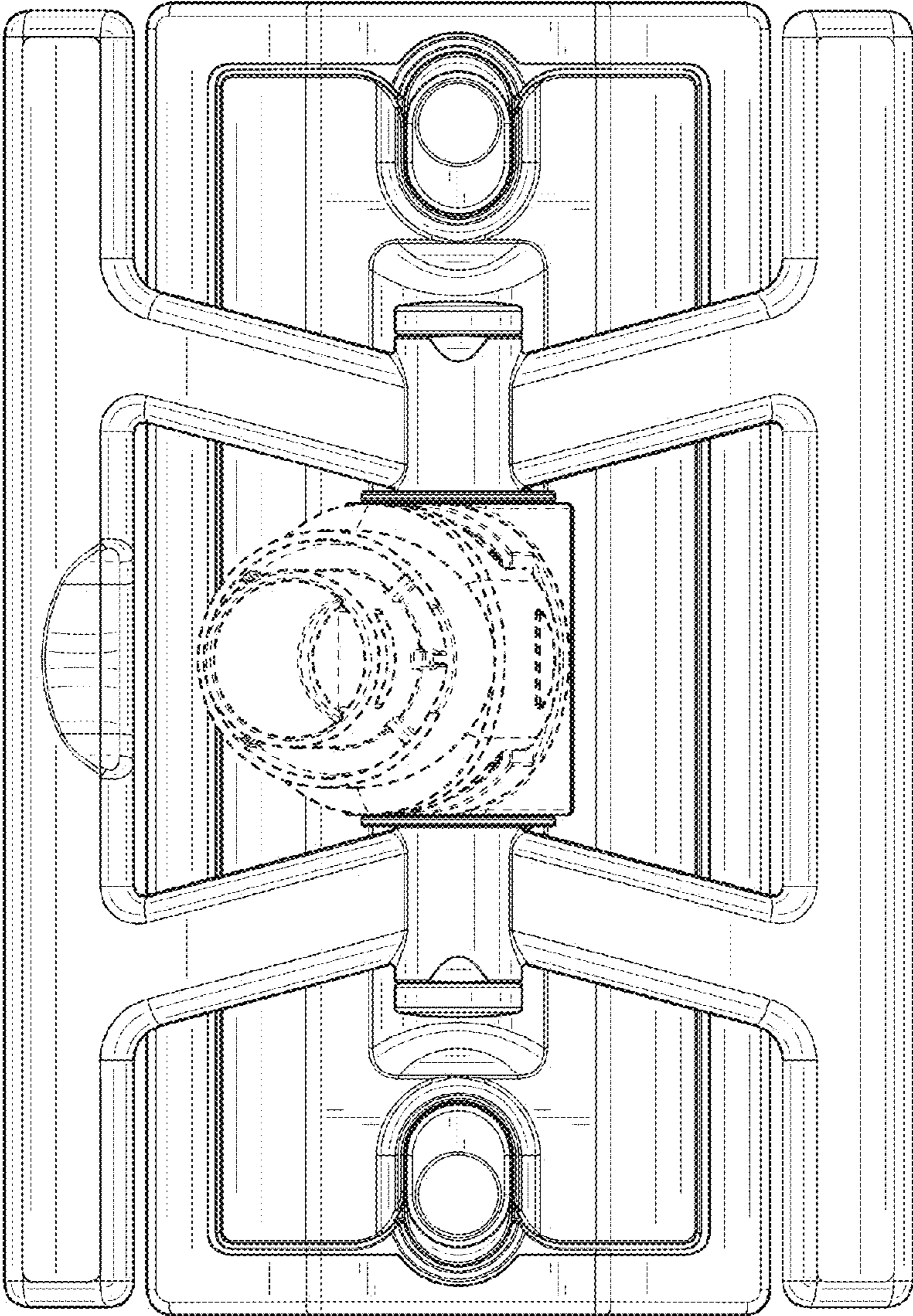


FIG. 2

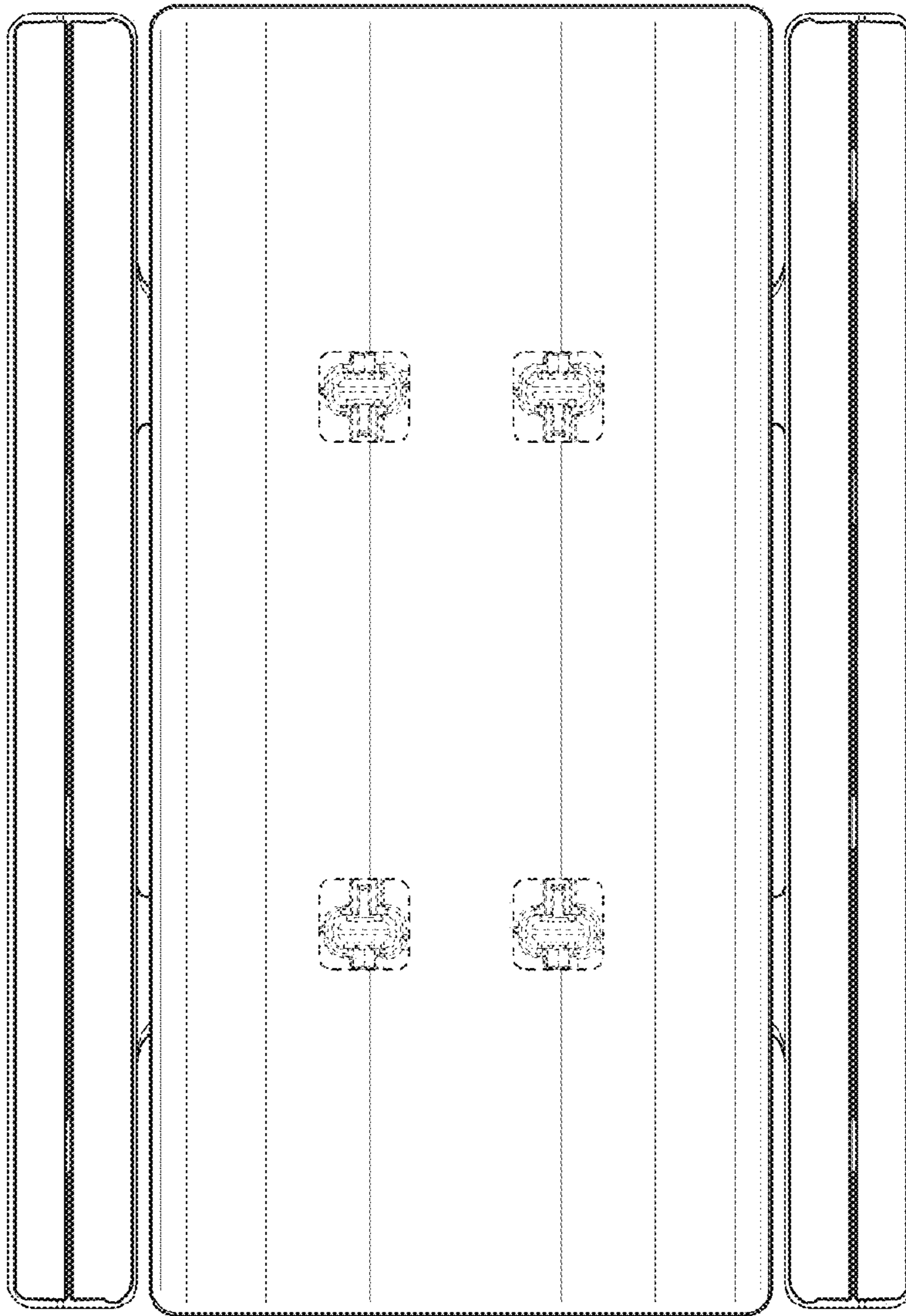


FIG. 3

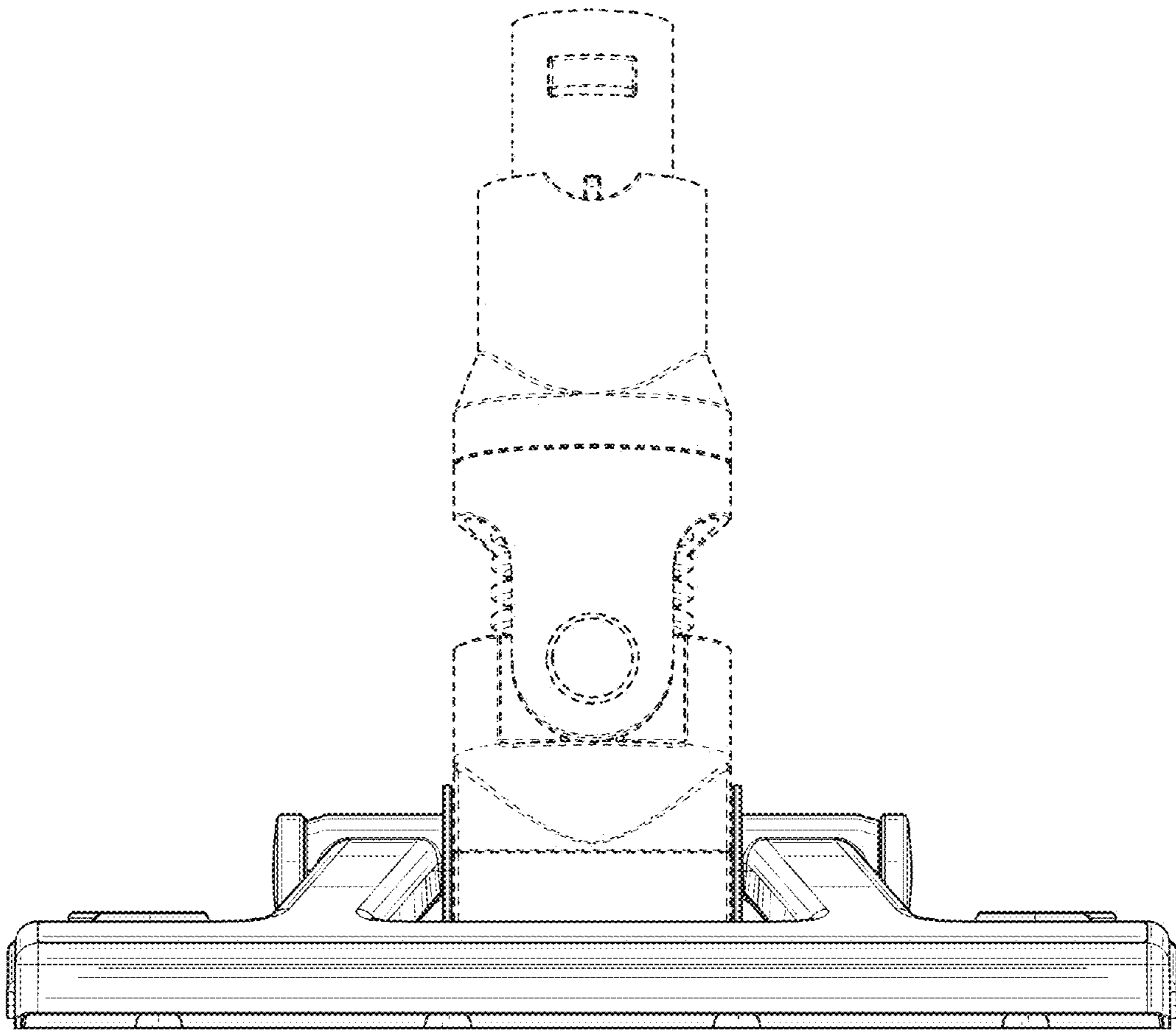


FIG. 4

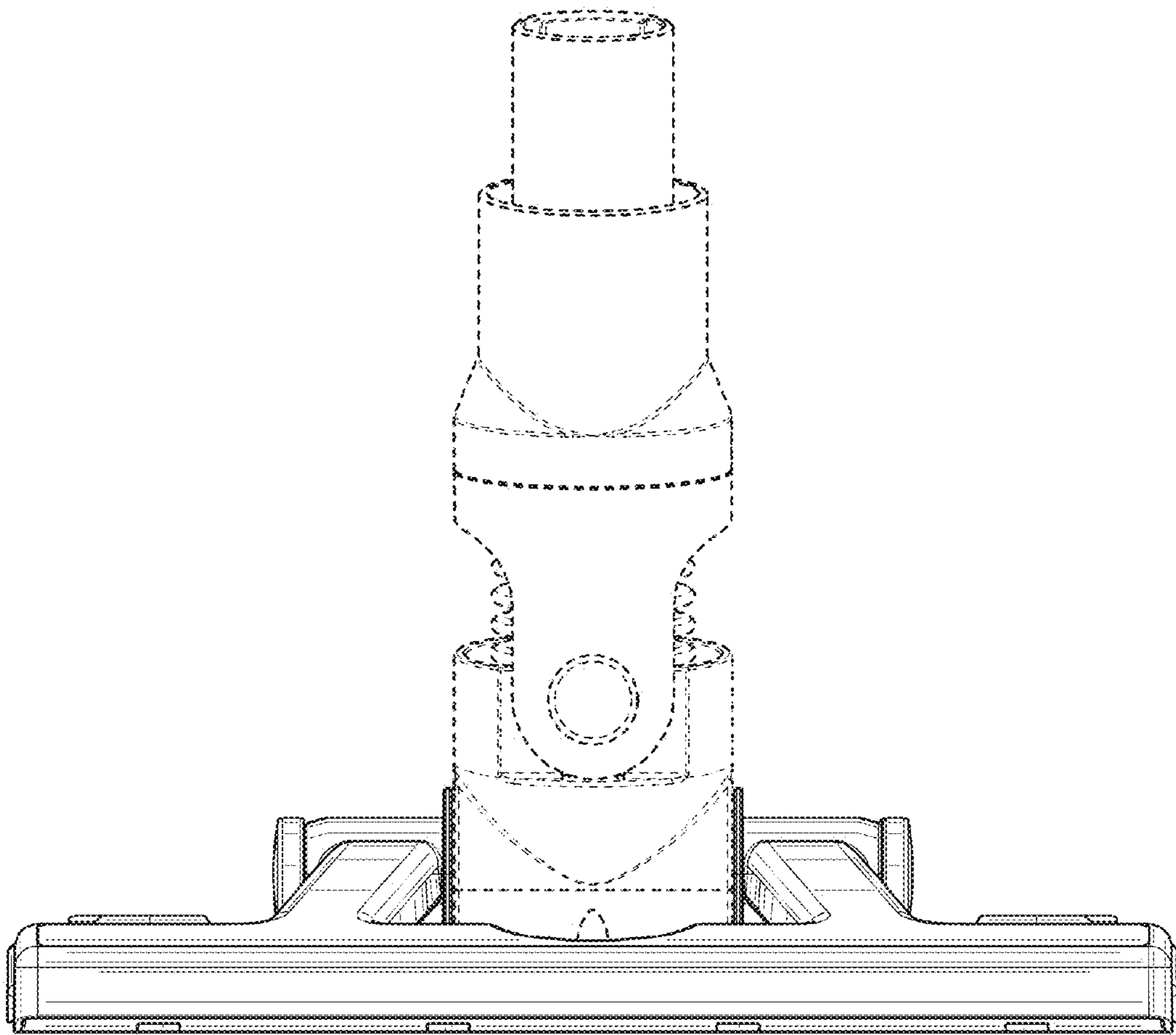


FIG. 5

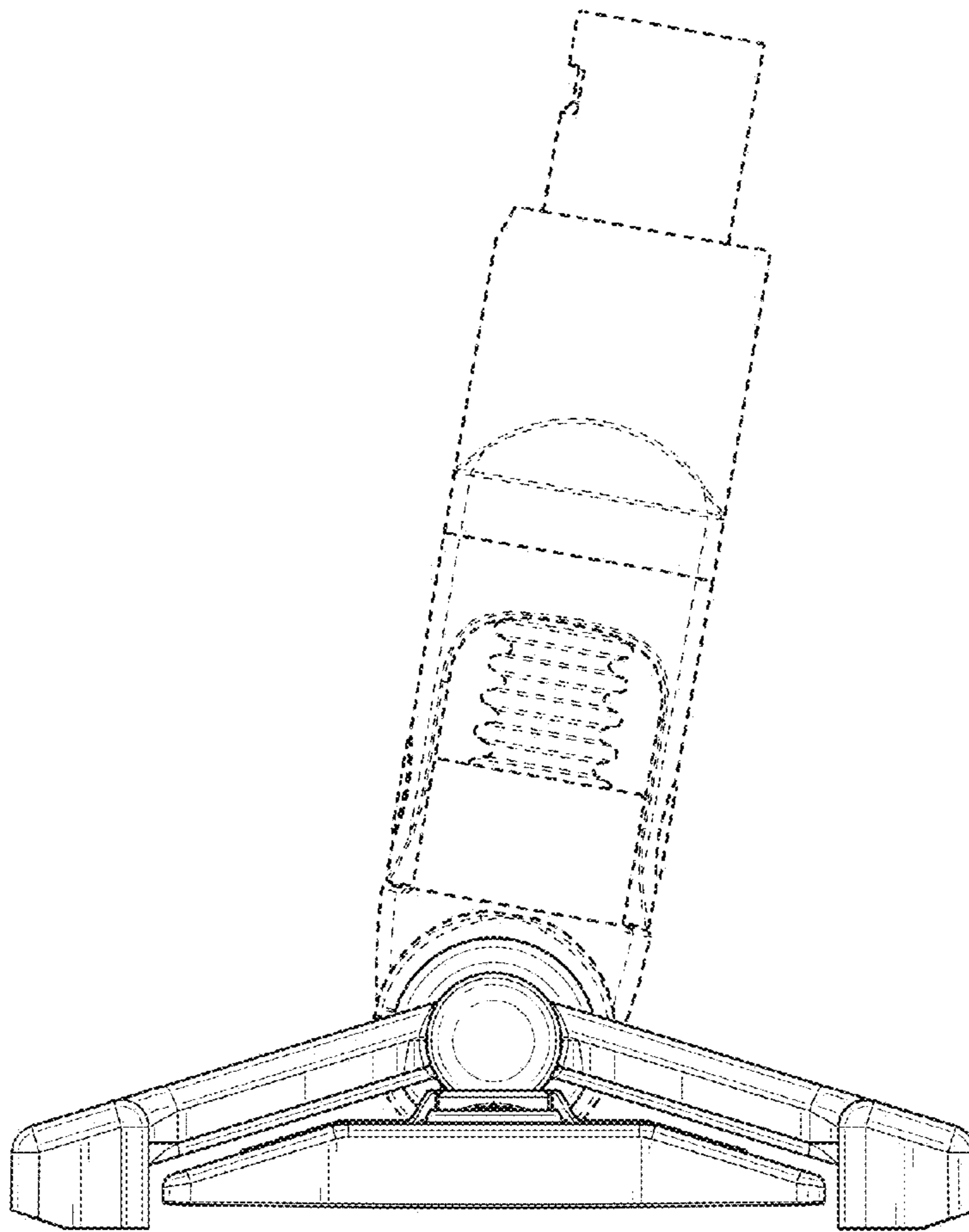


FIG. 6

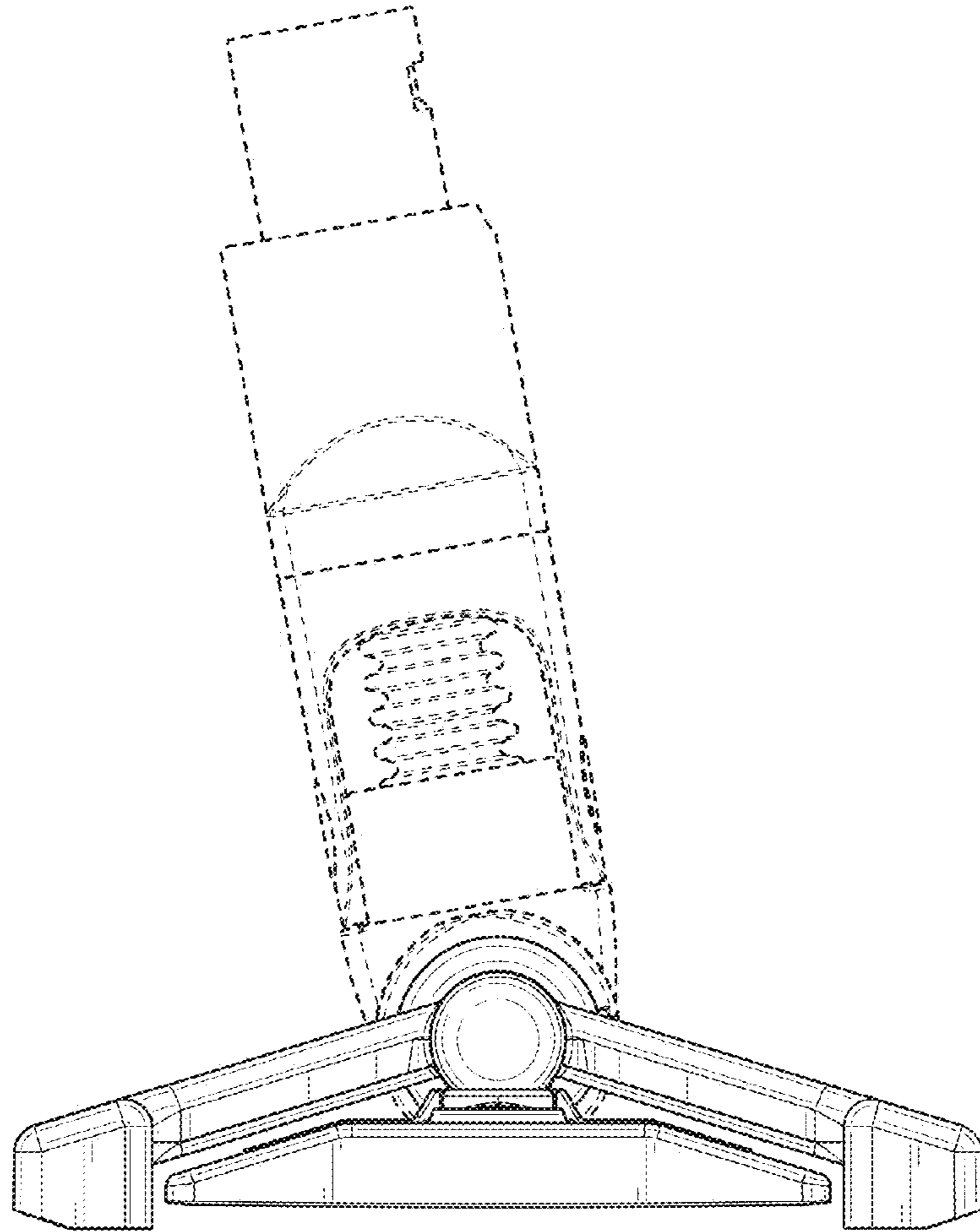


FIG. 7