



US00D712102S

(12) **United States Design Patent**  
**Hill et al.**

(10) **Patent No.:** **US D712,102 S**  
(45) **Date of Patent:** **\*\* Aug. 26, 2014**

(54) **CARPET CLEANING MACHINE**  
(75) Inventors: **Jason E. Hill**, University City, MO (US);  
**Timothy J. Wall**, Plano, TX (US);  
**Steven A. Wahl**, Fort Wayne, IN (US);  
**Schubert Pereira**, Chesterfield, MO  
(US); **David W. Kaiser**, North Haven,  
CT (US)

(73) Assignee: **Rug Doctor, LLC**, Plano, TX (US)

(\*\*) Term: **14 Years**

(21) Appl. No.: **29/384,377**

(22) Filed: **Jan. 31, 2011**

(51) **LOC (10) Cl.** ..... **15-05**

(52) **U.S. Cl.**  
USPC ..... **D32/22**

(58) **Field of Classification Search**  
USPC ..... D32/16, 17, 22, 31, 34; 15/347, 353,  
15/320, 340.2, 350-351, 363, 410-411,  
15/327.1, 71.1, 79.1, 79.2; 55/337, 459,  
55/DIG. 3, 429  
See application file for complete search history.

(56) **References Cited**

**U.S. PATENT DOCUMENTS**

D293,950 S 1/1988 Ogden et al.  
D297,060 S 8/1988 Kent  
D297,061 S 8/1988 Kent

D298,479 S \* 11/1988 Jacobs et al. .... D32/16  
4,934,017 A 6/1990 Kent  
D344,374 S \* 2/1994 Wulff ..... D32/22  
D345,034 S \* 3/1994 Fitzwater ..... D32/22  
D346,679 S \* 5/1994 Bradd et al. .... D32/22  
D364,947 S \* 12/1995 Kent et al. .... D32/22  
5,473,792 A \* 12/1995 Kent et al. .... 15/320  
D381,779 S \* 7/1997 Pritchett et al. .... D32/22  
5,659,918 A 8/1997 Anthony et al.  
D405,567 S \* 2/1999 Kent et al. .... D32/22  
D420,473 S \* 2/2000 Shero ..... D32/16  
D422,386 S \* 4/2000 Jaros et al. .... D32/22  
7,048,805 B2 5/2006 Kent et al.  
D633,667 S \* 3/2011 Santiago ..... D32/22  
2006/0185113 A1 \* 8/2006 Kloeppe et al. .... 15/320

\* cited by examiner

*Primary Examiner* — Ruth McInroy

(74) *Attorney, Agent, or Firm* — Thompson Coburn LLP

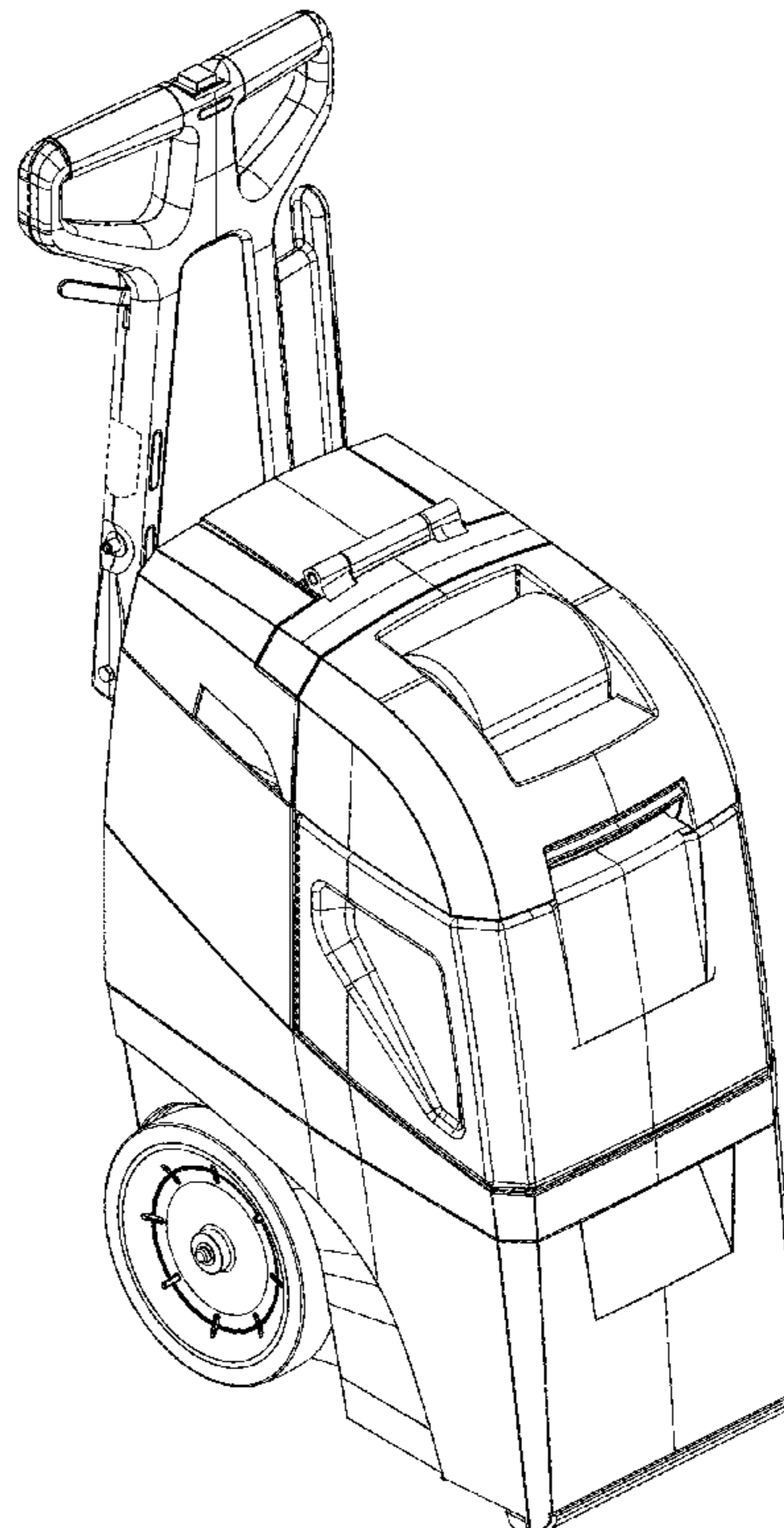
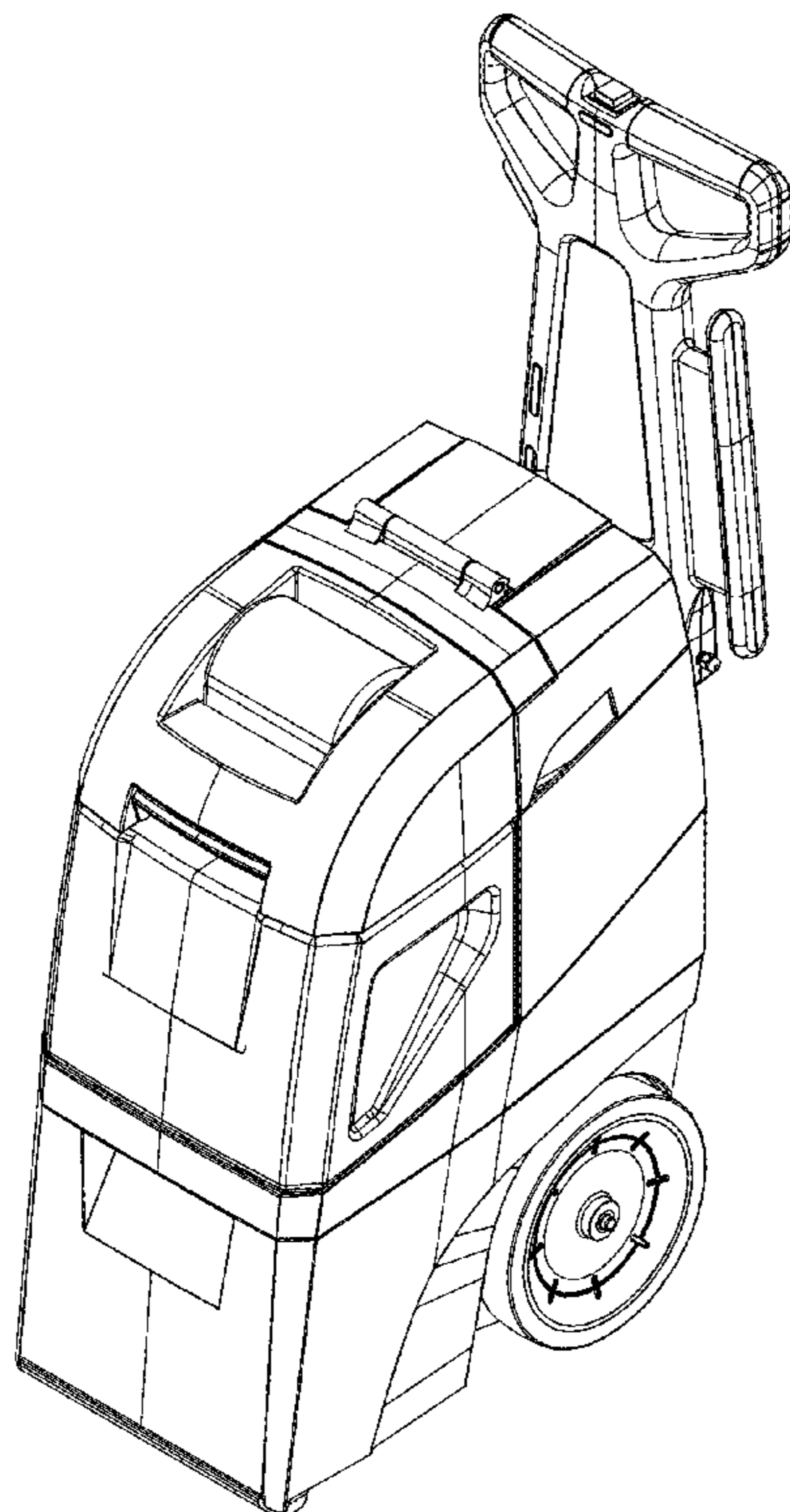
(57) **CLAIM**

The ornamental design of a carpet cleaning machine, as shown and described.

**DESCRIPTION**

FIG. 1 is a front elevation view of a carpet cleaning machine showing our new design;  
FIG. 2 is a left side elevation view thereof;  
FIG. 3 is a right side elevation view thereof;  
FIG. 4 is a top plan view thereof;  
FIG. 5 is a front and right side perspective view thereof; and,  
FIG. 6 is a front and left side perspective view thereof.

**1 Claim, 6 Drawing Sheets**



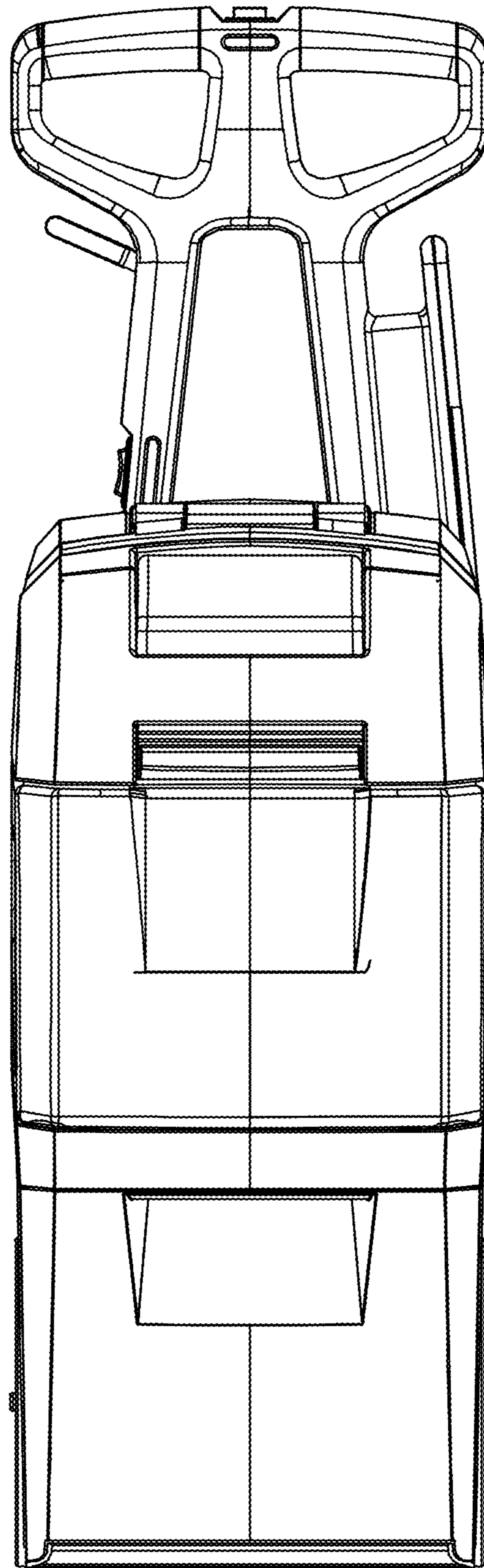


FIG. 1

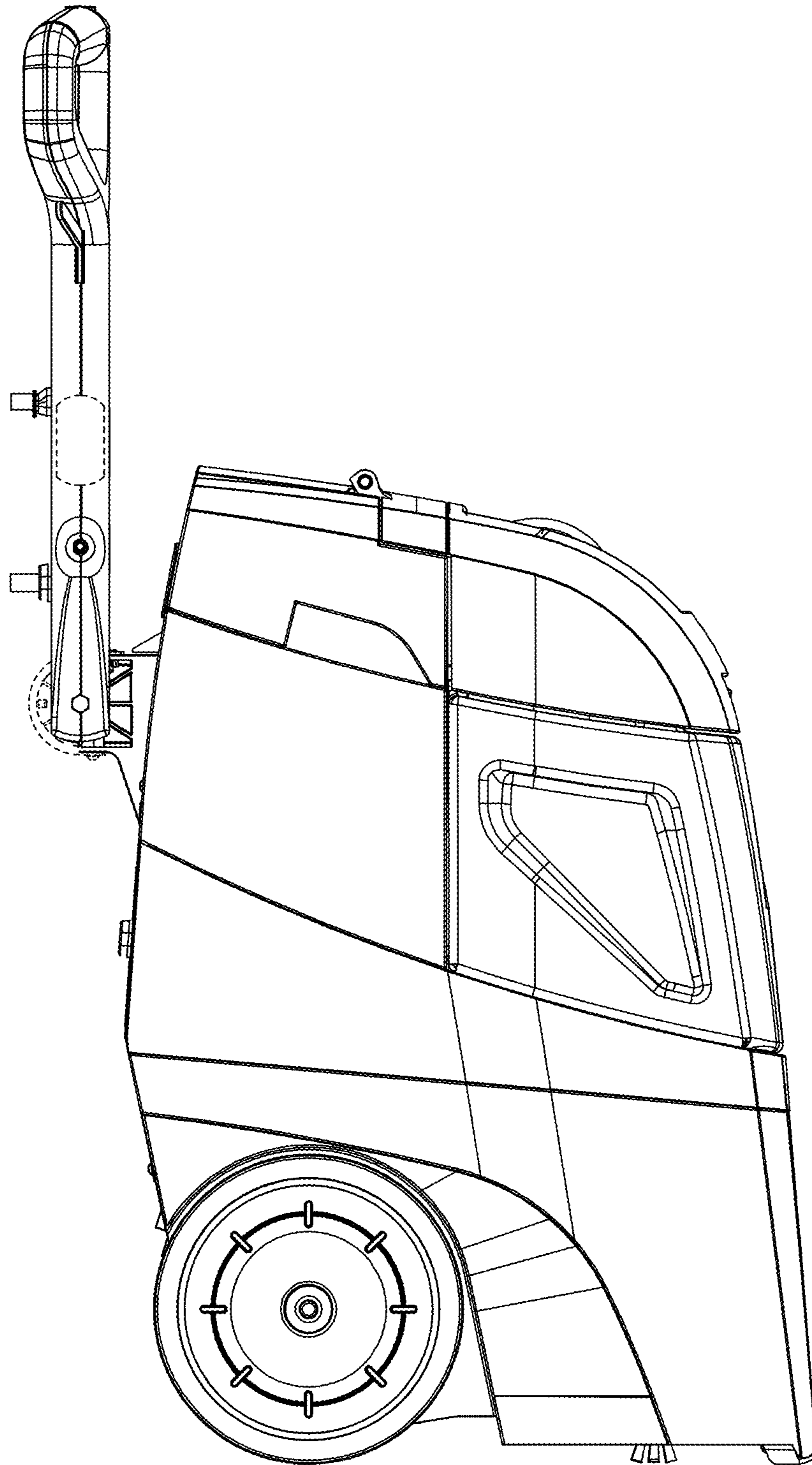


FIG. 2



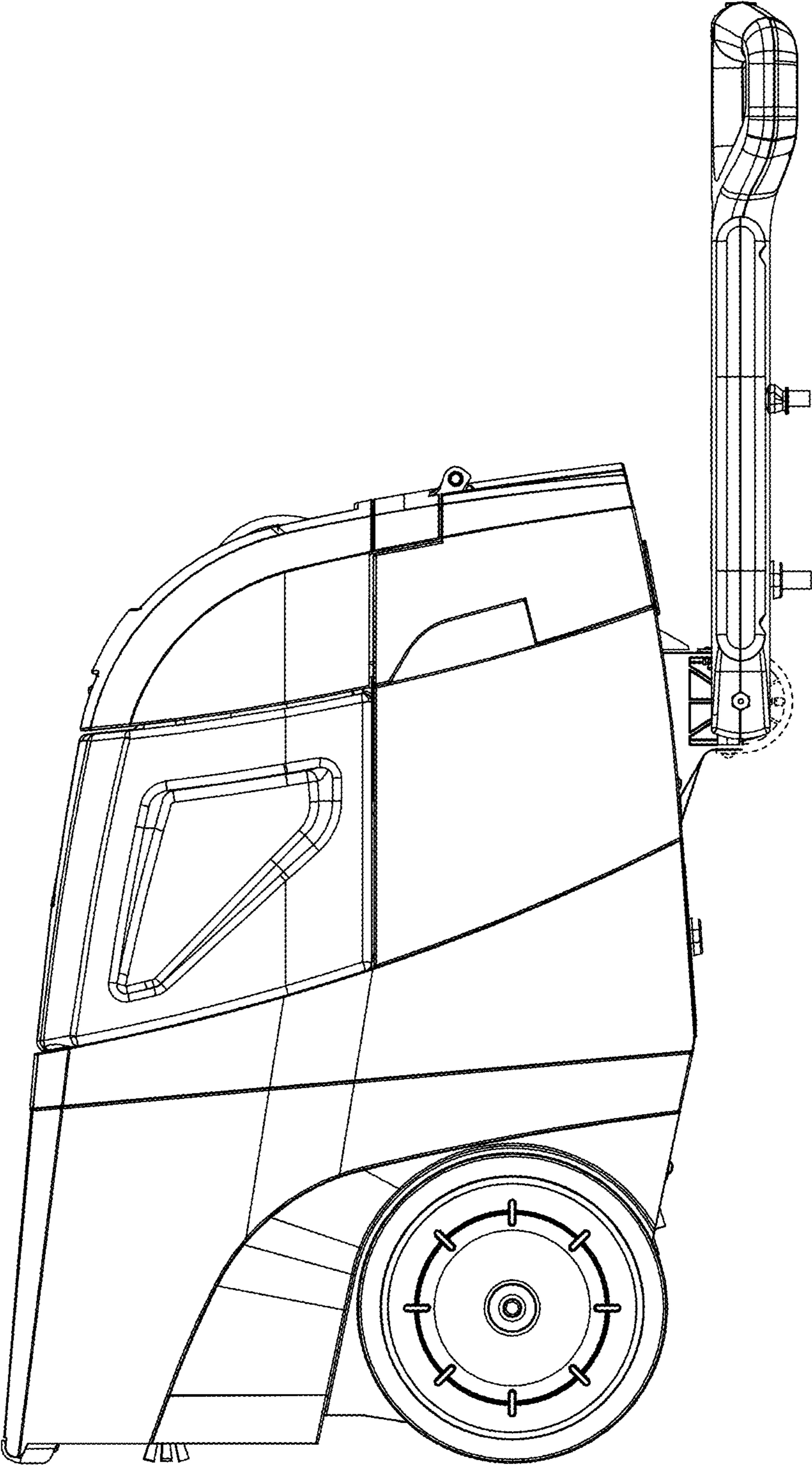


FIG. 3

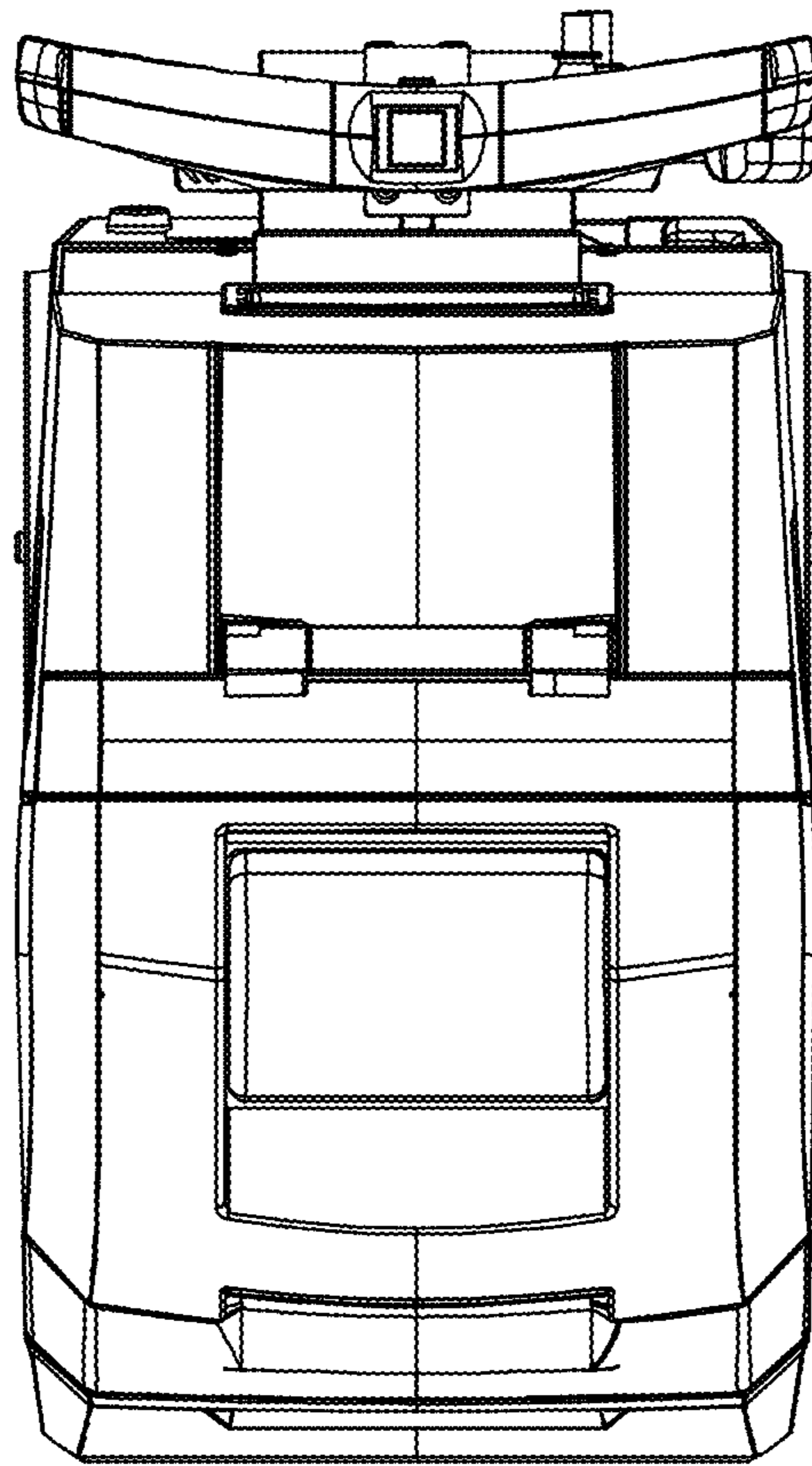


FIG. 4

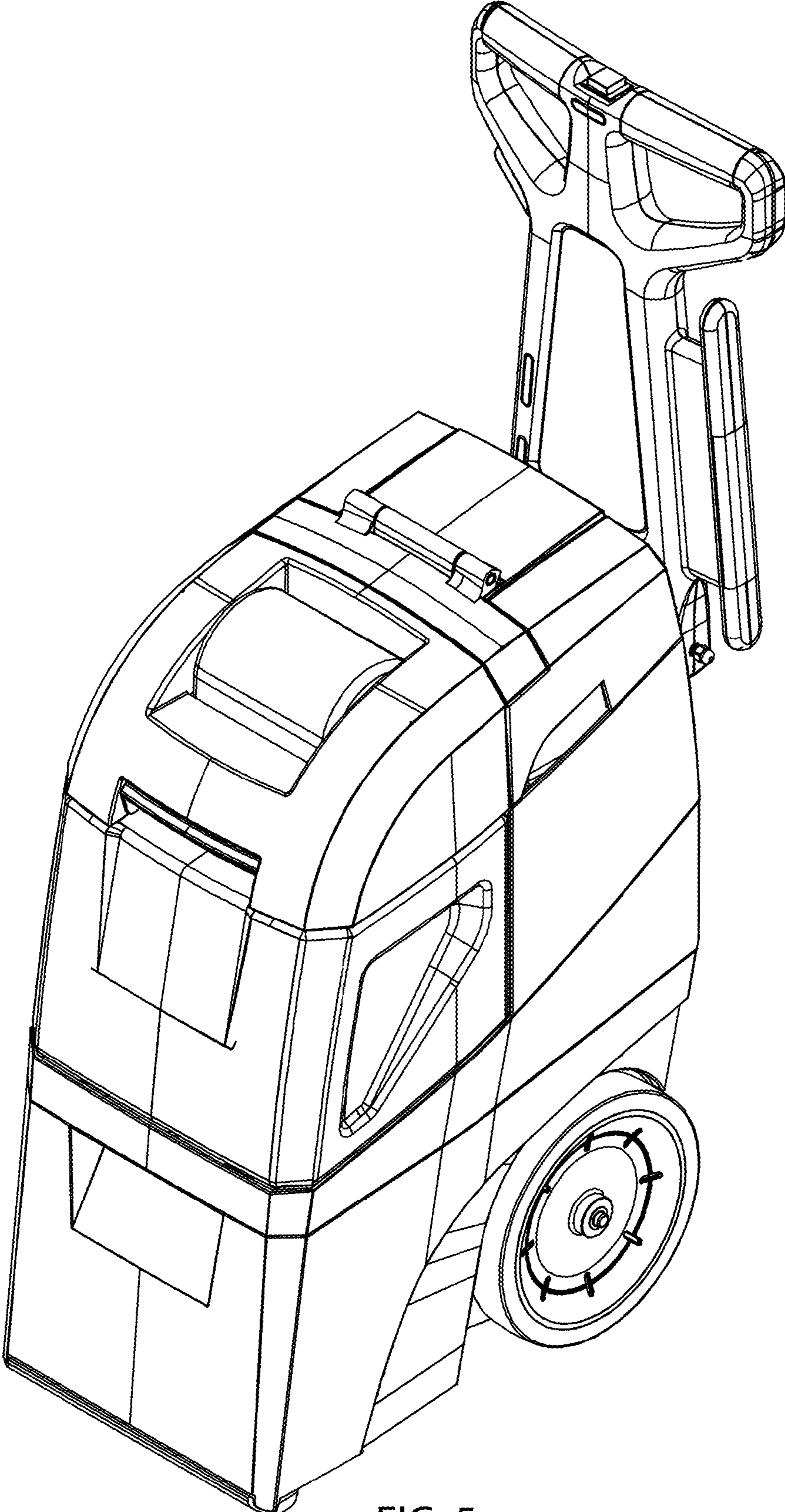


FIG. 5

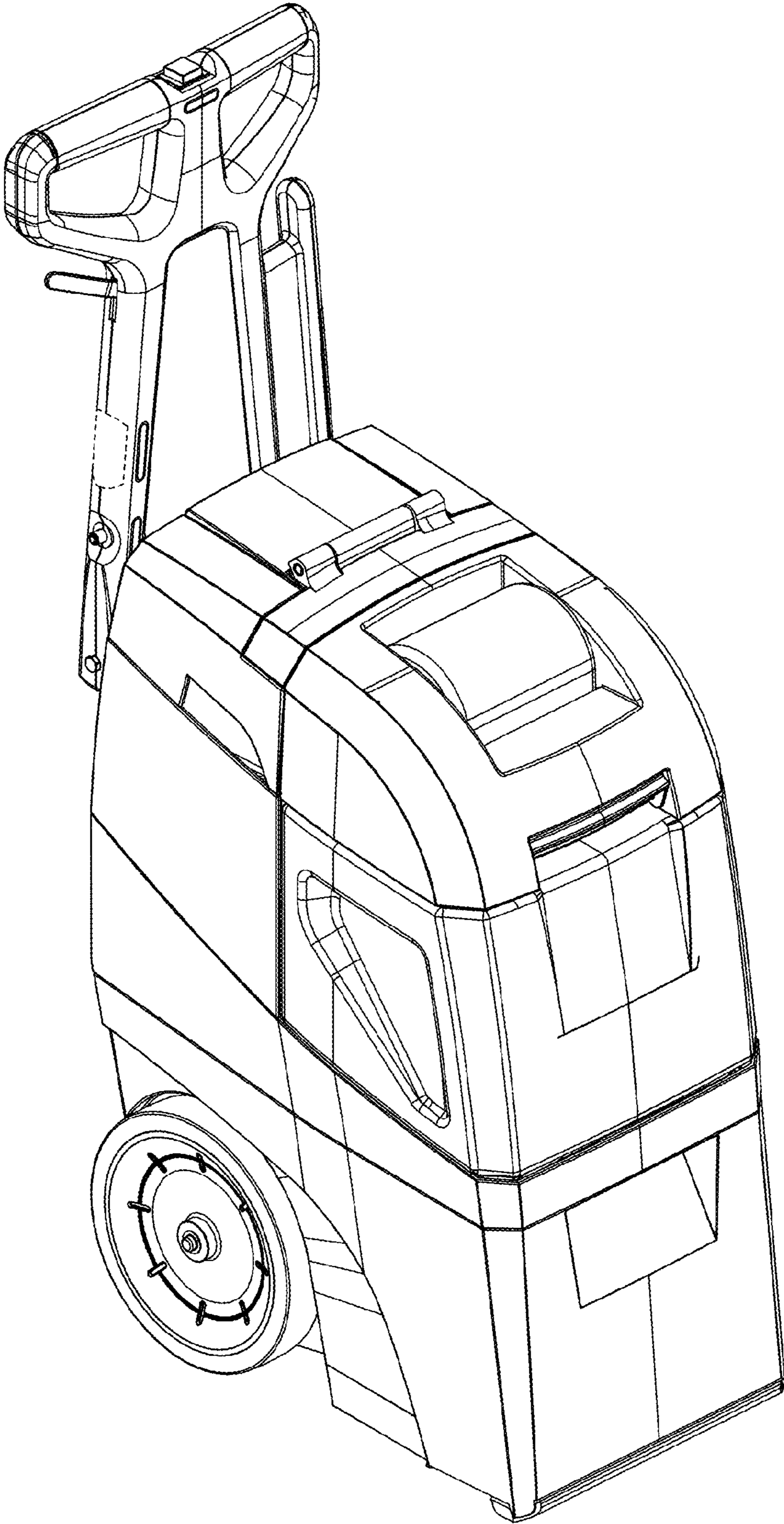


FIG. 6