



US00D712091S

(12) **United States Design Patent**
Liu

(10) **Patent No.:** **US D712,091 S**
(45) **Date of Patent:** **** Aug. 26, 2014**

(54) **FRAME OF ELECTRONIC CIGARETTE CASE**

(71) Applicant: **Quiming Liu**, Shenzhen (CN)

(72) Inventor: **Quiming Liu**, Shenzhen (CN)

(**) Term: **14 Years**

(21) Appl. No.: **29/453,085**

(22) Filed: **Apr. 24, 2013**

(30) **Foreign Application Priority Data**

Mar. 18, 2013 (CN) 2013 3 0069264

(51) **LOC (10) Cl.** **27-06**

(52) **U.S. Cl.**

USPC **D27/193; D27/186**

(58) **Field of Classification Search**

USPC 206/37, 251–267, 703; D3/215, 218,
D3/273, 269, 292; D9/423; D13/108;
D27/172, 174–176, 183–194; 131/189,
131/194, 270–273, 329, 330, 347, 360–365

See application file for complete search history.

(56) **References Cited**

U.S. PATENT DOCUMENTS

D373,846 S * 9/1996 Rothman D27/172
6,196,217 B1 * 3/2001 Smith 126/681
D666,100 S * 8/2012 Fallon D9/456
D690,461 S * 9/2013 Chen D27/187

* cited by examiner

Primary Examiner — Adir Aronovich

Assistant Examiner — Ethiene Salgado-Rodriguez

(74) *Attorney, Agent, or Firm* — Chen-Ju Chiang

(57) **CLAIM**

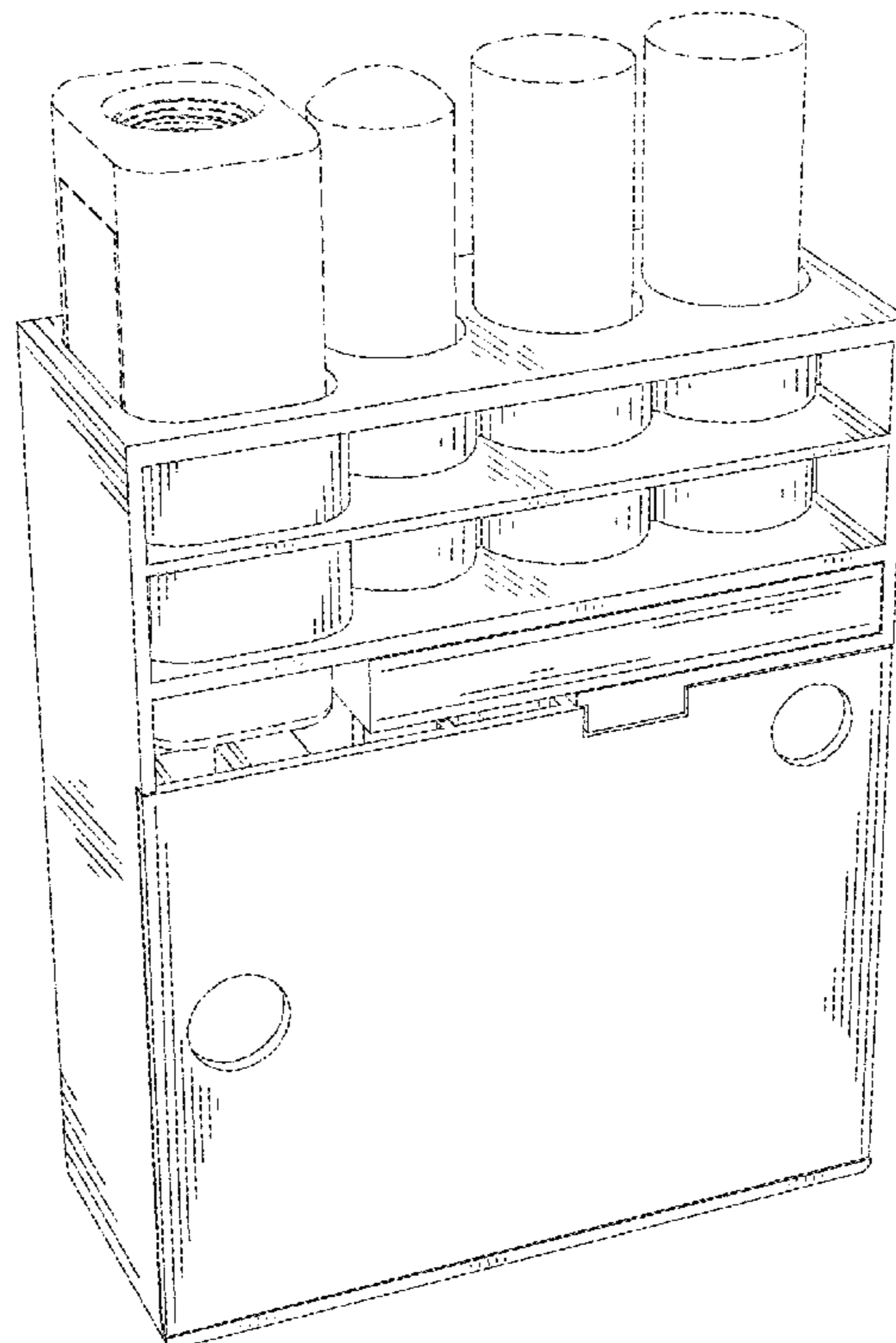
The ornamental design for a “frame of electronic cigarette case,” as shown and described.

DESCRIPTION

FIG. 1 is a front, top and right side perspective view for a frame of electronic cigarette case showing my new design; FIG. 2 is a rear, top and left side perspective view of FIG. 1; FIG. 3 is a front elevational view of FIG. 1; FIG. 4 is a rear elevational view of FIG. 1; FIG. 5 is a left side elevational view of FIG. 1; FIG. 6 is a right side elevational view of FIG. 1; FIG. 7 is a top plan view of FIG. 1; FIG. 8 is a bottom plan view of FIG. 1; and, FIG. 9 is a front, top and left side perspective view of FIG. 1 shown in use.

The broken line portions of the frame of electronic cigarette case in FIG. 9 are shown to illustrate environment only and form no part of the claimed design.

1 Claim, 9 Drawing Sheets



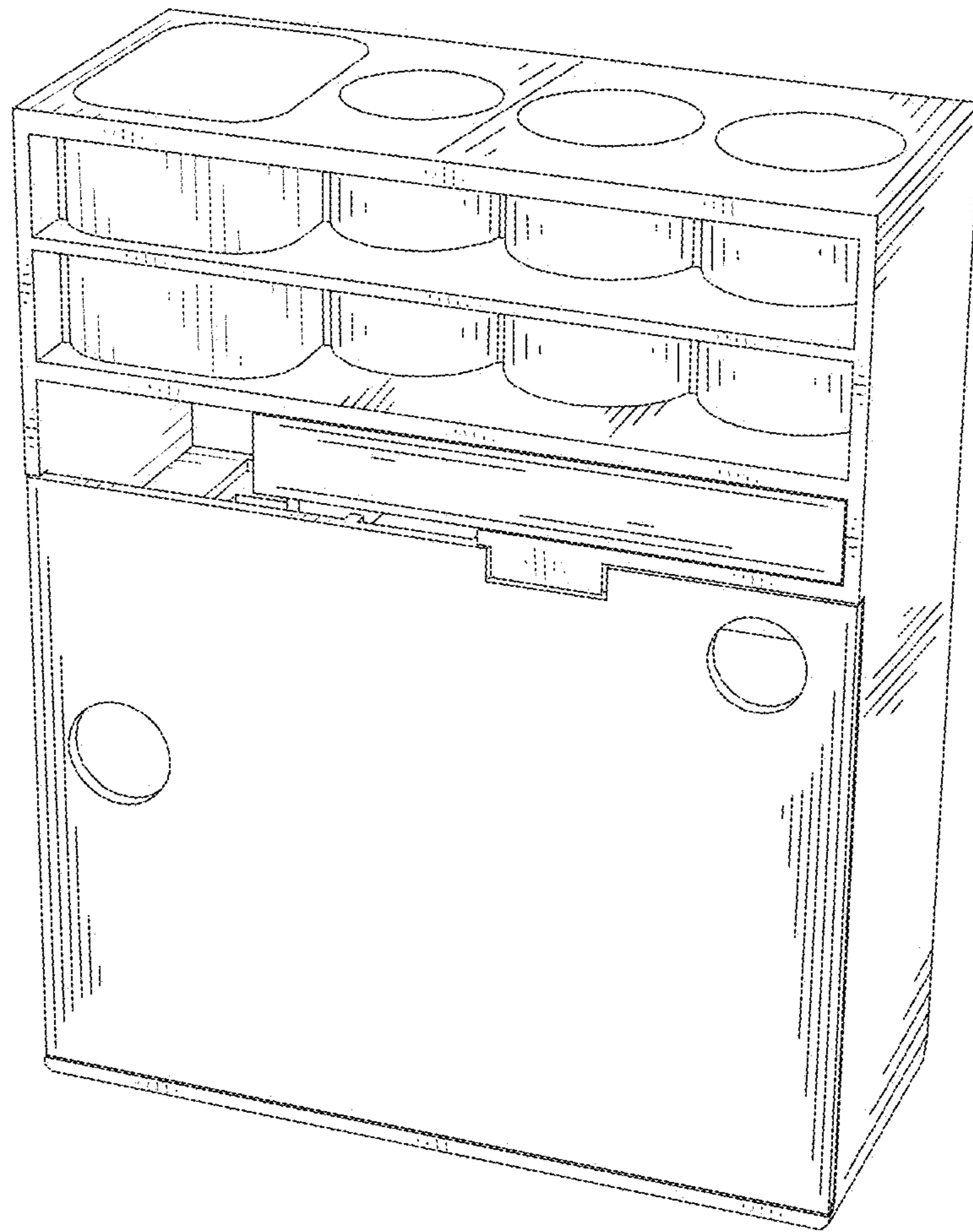


FIG. 1

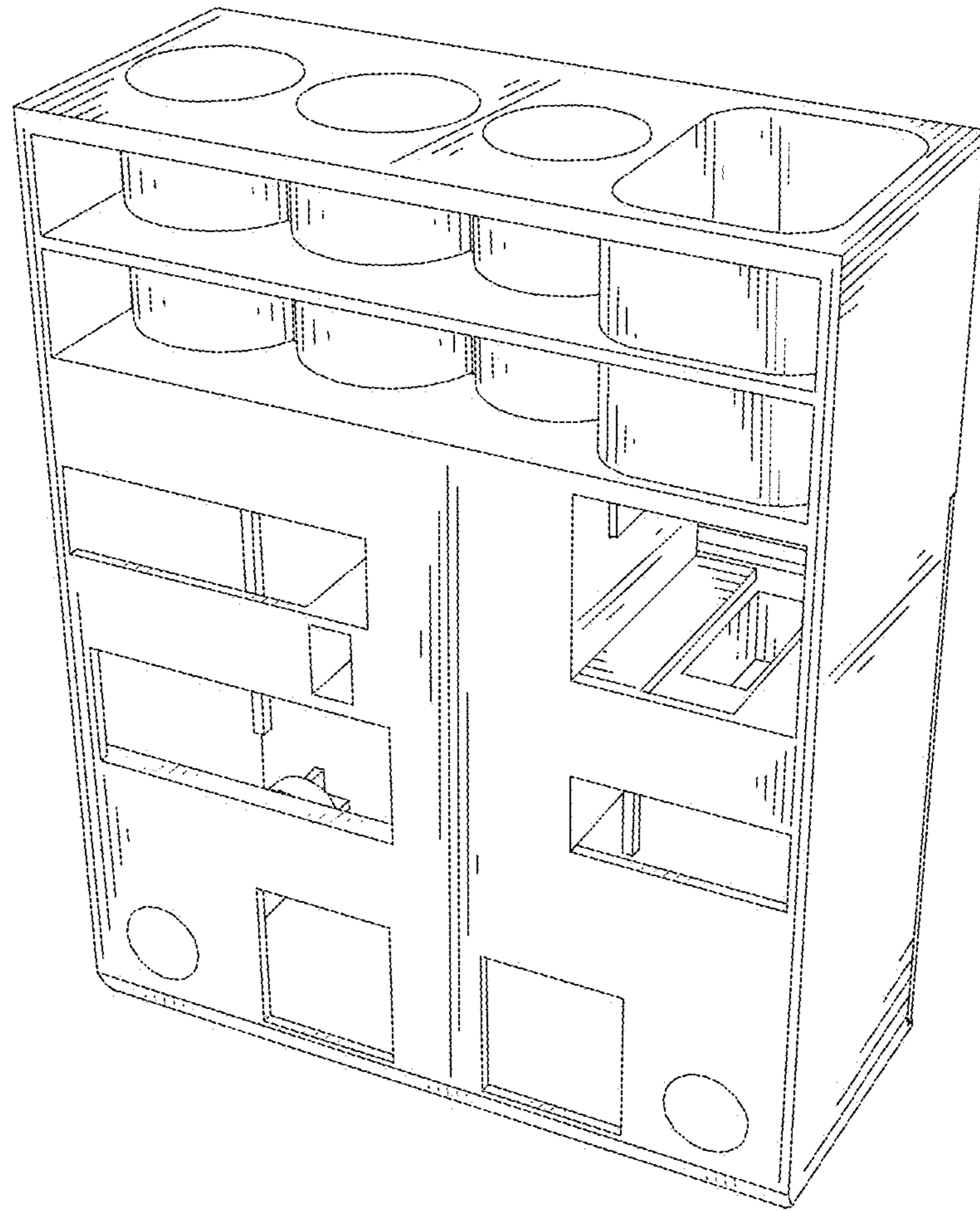


FIG. 2

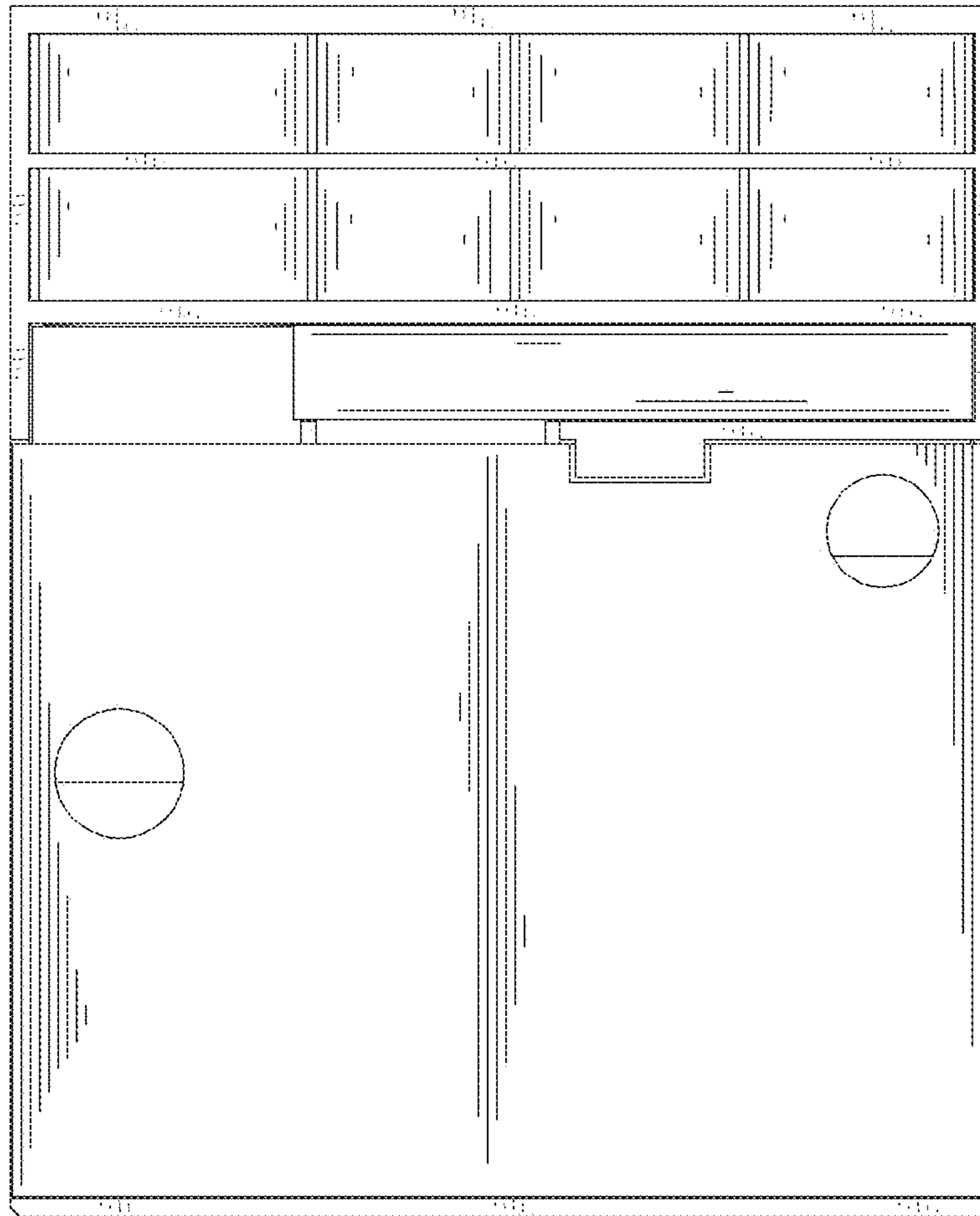


FIG. 3

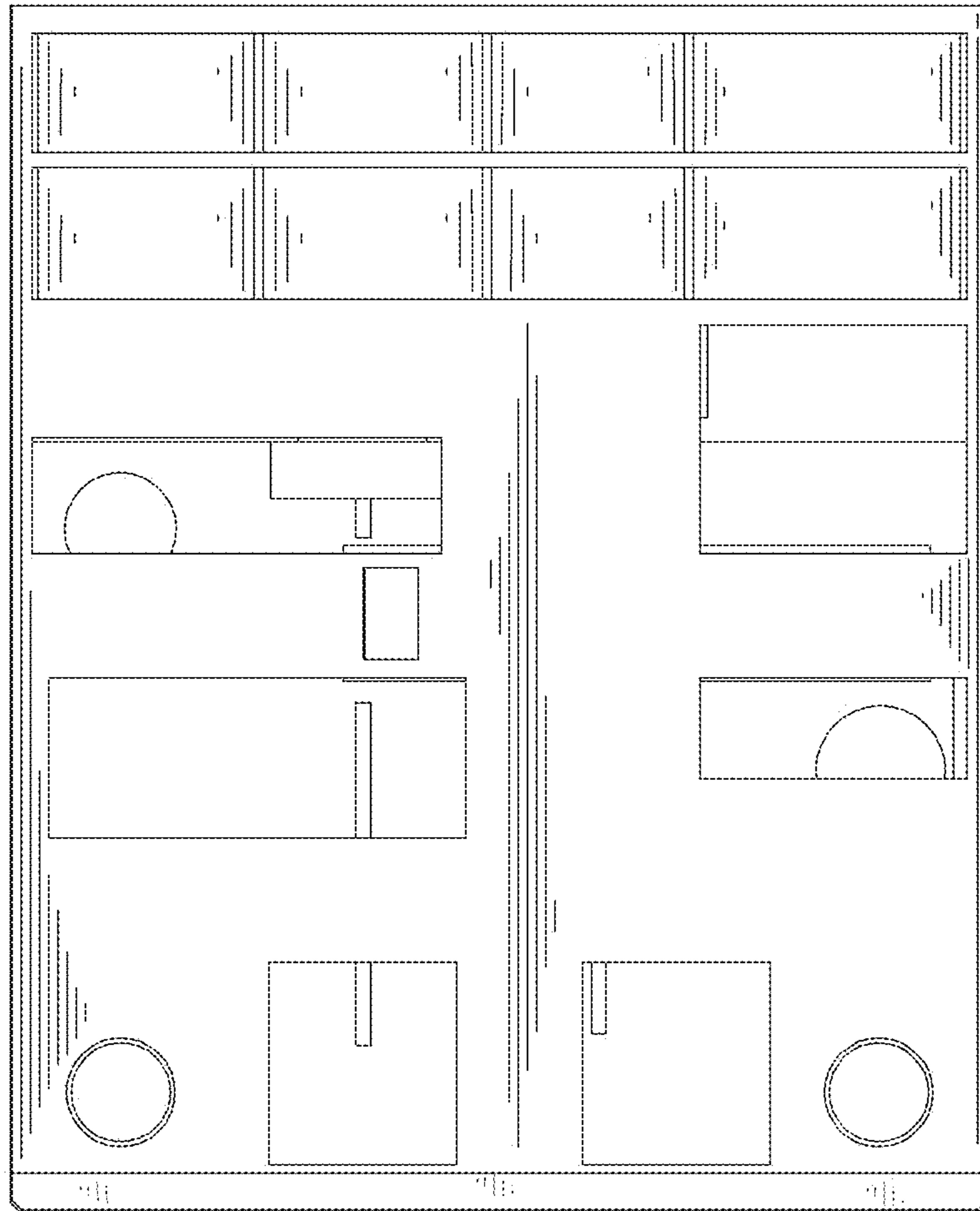


FIG. 4

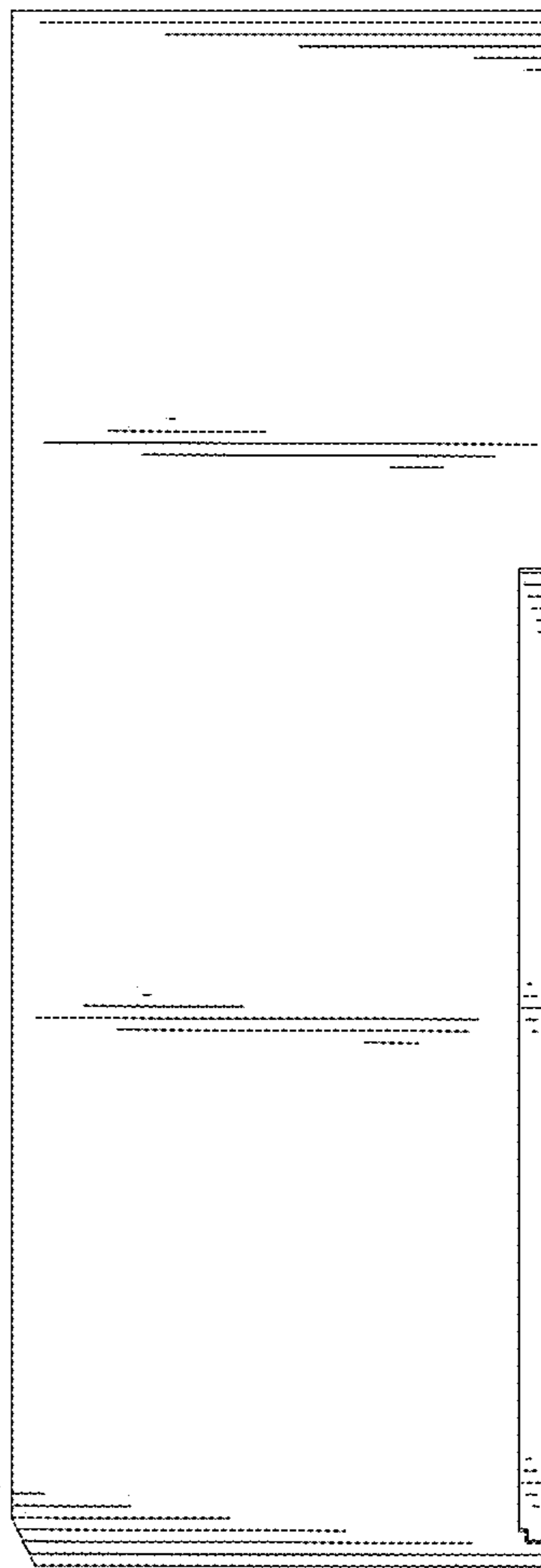


FIG. 5

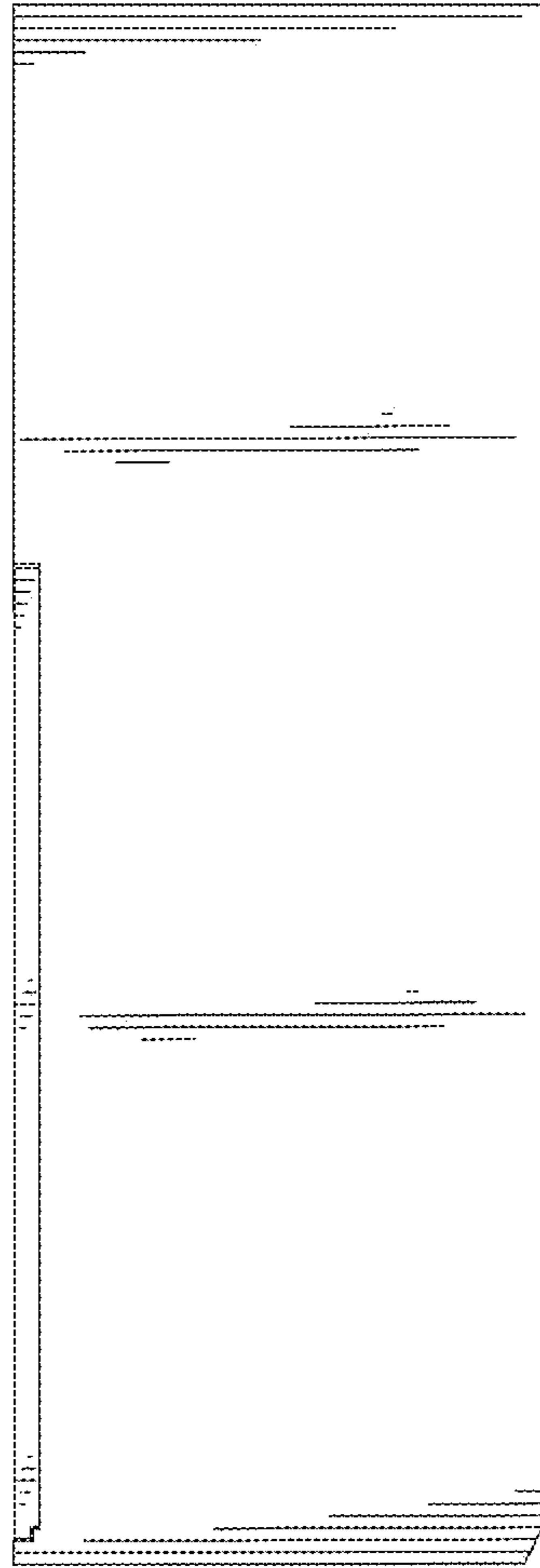


FIG. 6

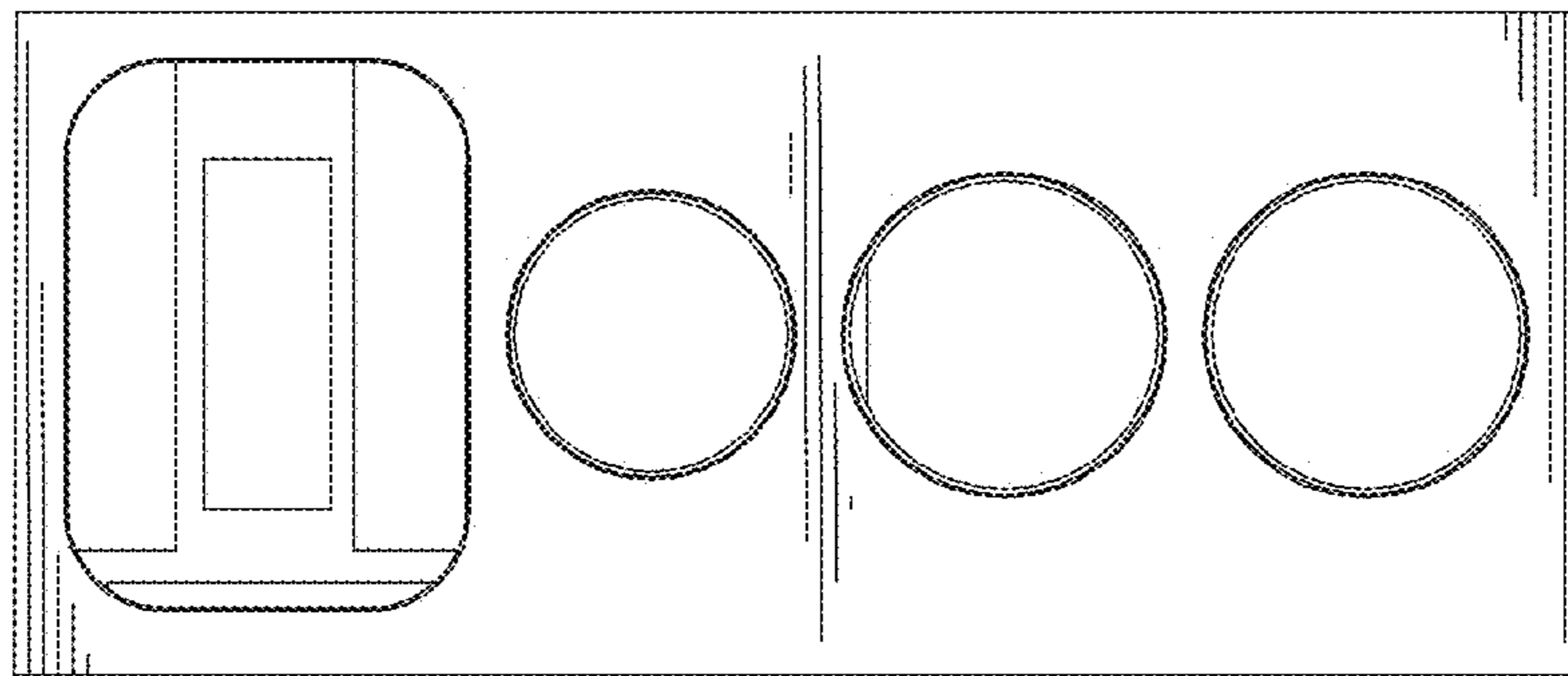


FIG. 7

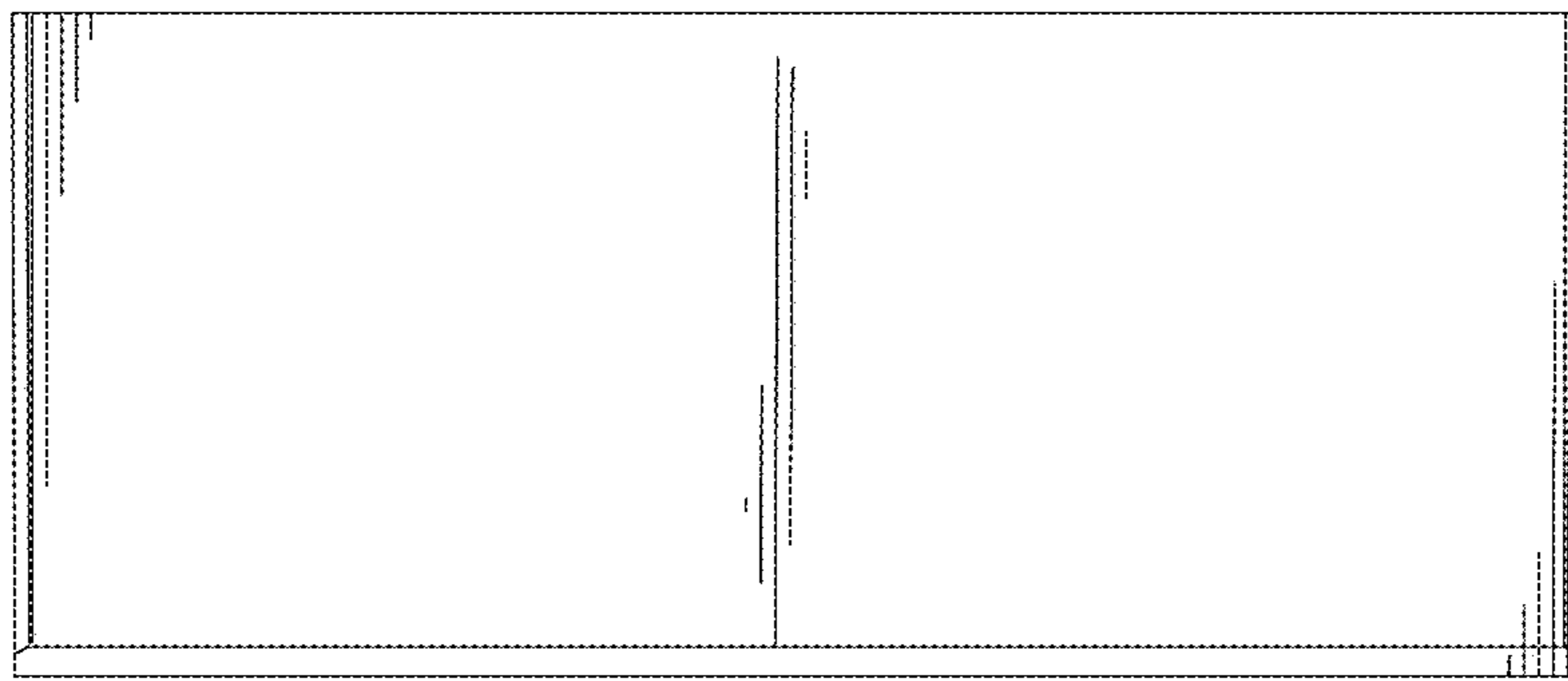


FIG. 8

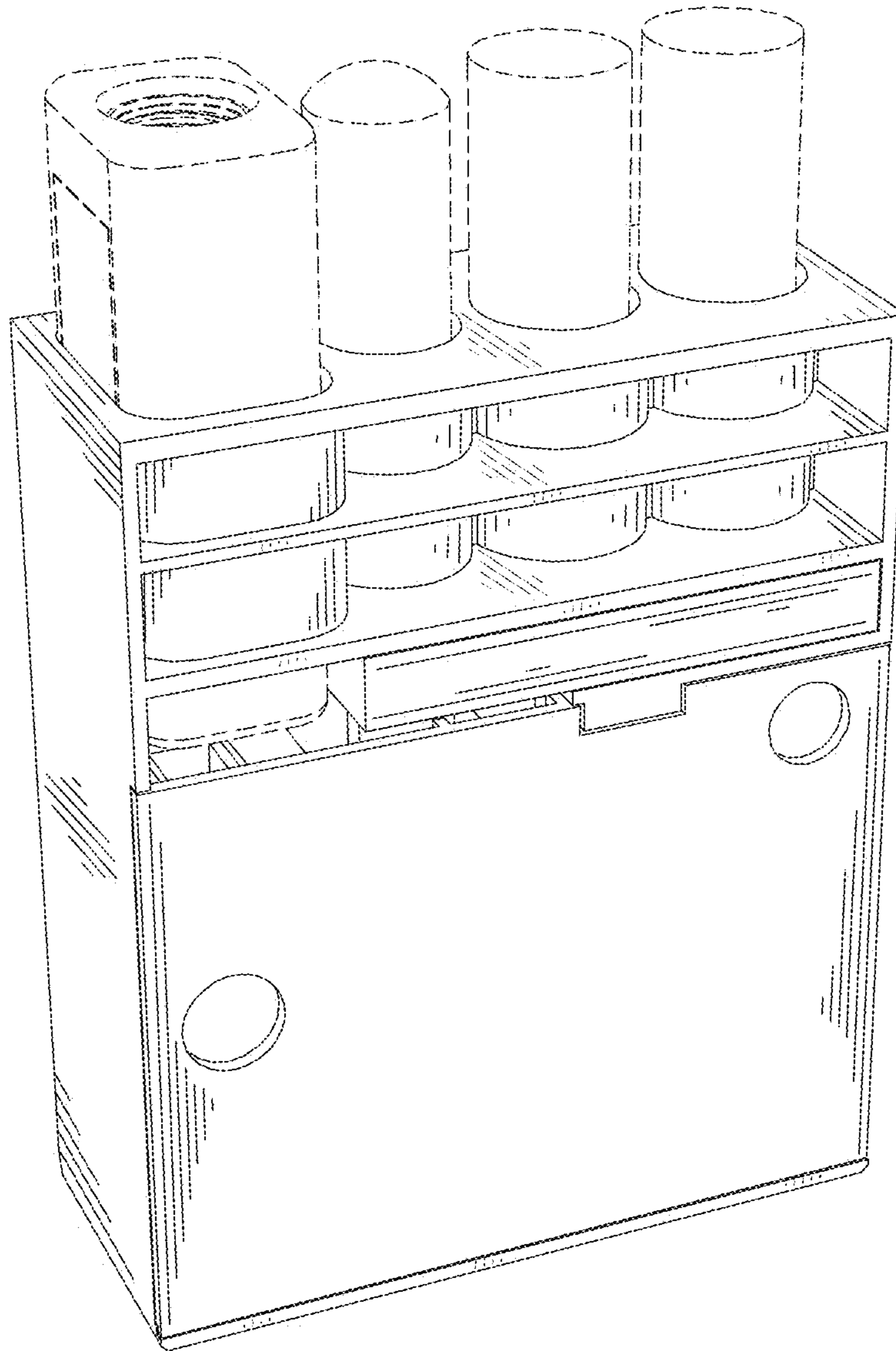


FIG. 9