



US00D712089S

(12) **United States Design Patent**  
**Rogers et al.**

(10) **Patent No.:** **US D712,089 S**

(45) **Date of Patent:** **\*\* \*Aug. 26, 2014**

(54) **LIGHT MOUNT**

(56) **References Cited**

(71) Applicants: **Charles Brian Rogers**, Dunedin, FL (US); **Jeff Tyler Pound**, Seminole, FL (US)

U.S. PATENT DOCUMENTS

(72) Inventors: **Charles Brian Rogers**, Dunedin, FL (US); **Jeff Tyler Pound**, Seminole, FL (US)

D380,854 S *	7/1997	Bray	.....	D26/142
D440,700 S *	4/2001	Lee	.....	D26/142
D441,128 S *	4/2001	Lee	.....	D26/142
D441,129 S *	4/2001	Lee	.....	D26/142
D505,224 S *	5/2005	Smith et al.	.....	D26/142
D563,003 S *	2/2008	Aleksjew	.....	D26/37
D586,029 S *	2/2009	Copeland	.....	D26/83
D586,492 S *	2/2009	Copeland	.....	D26/83
D611,645 S *	3/2010	Copeland	.....	D26/83
D642,726 S *	8/2011	Khubani	.....	D26/80
D662,644 S *	6/2012	Wauters	.....	D26/83

(73) Assignee: **Shadow-Caster LED Lighting LLC**, Dunedin, FL (US)

(\* ) Notice: This patent is subject to a terminal disclaimer.

\* cited by examiner

(\*\*) Term: **14 Years**

*Primary Examiner* — Deanna L Pratt

*Assistant Examiner* — Natasha Vujcic

(21) Appl. No.: **29/448,817**

(74) *Attorney, Agent, or Firm* — The Compton Law Firm, PC; Scott D. Compton

(22) Filed: **Mar. 14, 2013**

(57) **CLAIM**

(51) **LOC (10) Cl.** ..... **26-99**

The ornamental design for a light mount, as shown and described.

(52) **U.S. Cl.**

**DESCRIPTION**

USPC ..... **D26/142**

(58) **Field of Classification Search**

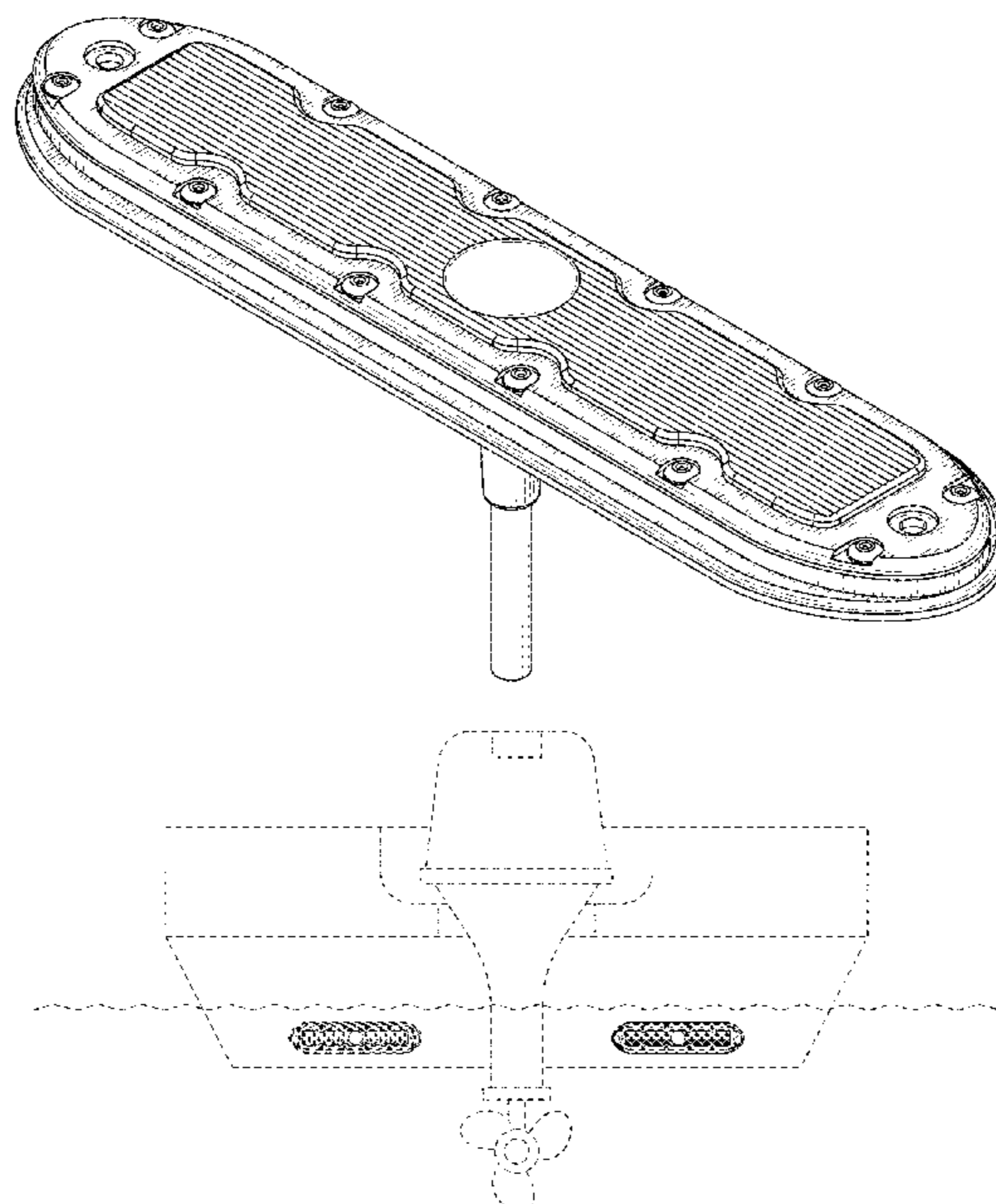
CPC ..... F21V 7/00; F21V 15/04; F21V 31/00; F21S 48/00; F21S 48/10; F21S 48/1104; F21S 48/125; F21S 48/20; B60Q 1/0005; B60Q 1/0011; B60Q 1/007; B60Q 1/0094; B60Q 1/04

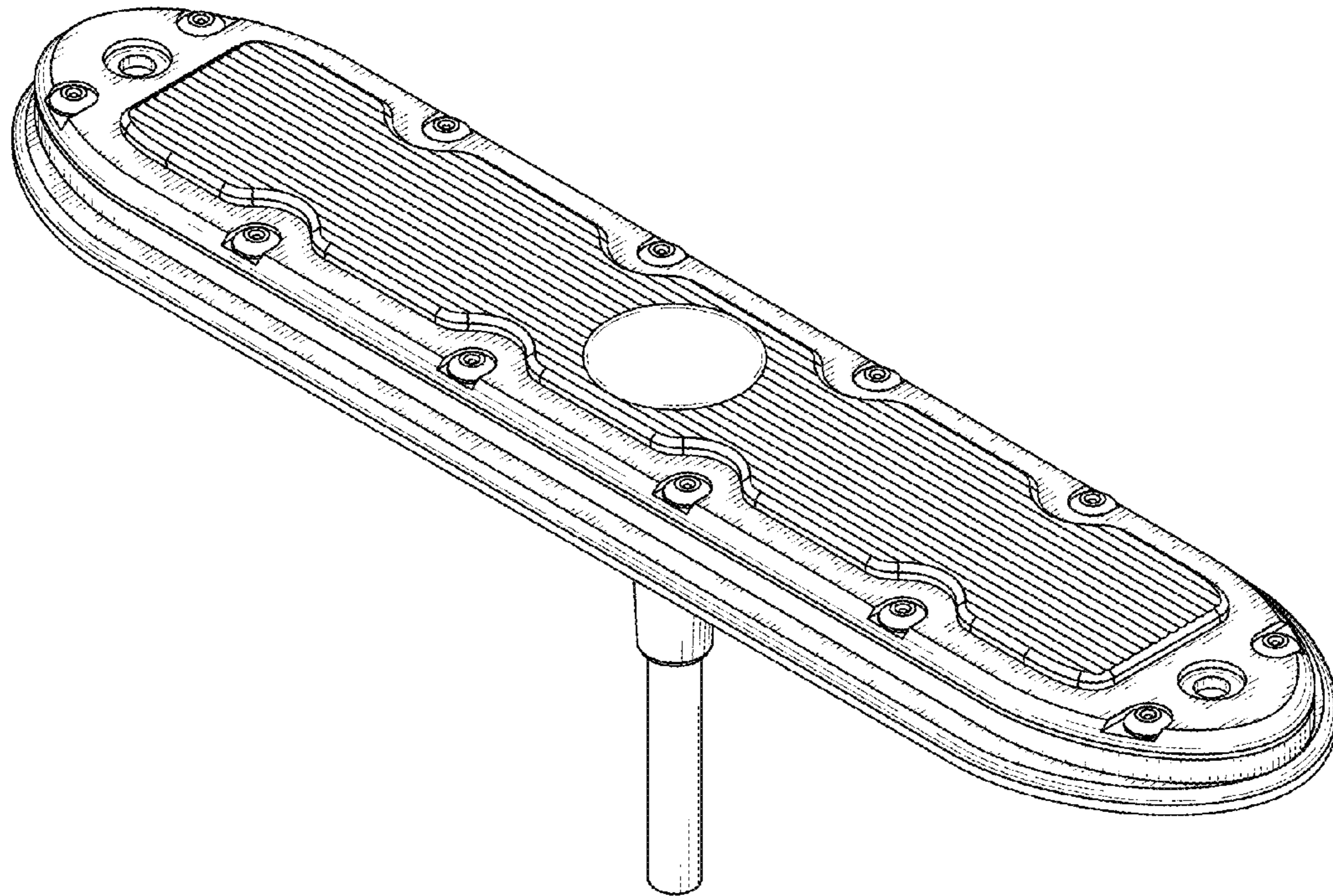
USPC ..... D26/35, 36, 39, 51, 62, 67, 71, 72, 74, D26/80, 81, 83, 85, 88, 89, 113, 118, 119, D26/128, 138, 139, 140, 142, 155; 362/147, 362/148, 153, 153.1, 183, 186, 300, 301, 362/307, 310, 347, 348, 349, 350, 362, 364, 362/365, 366, 382, 431, 432

FIG. 1 is a perspective view of a light mount showing our new design;  
 FIG. 2 is a side view of the same;  
 FIG. 3 is an end view of the same;  
 FIG. 4 is a top view of the same; and,  
 FIG. 5 is another top view of the same, wherein the boat and the water are shown in broken lines for environmental purposes only and form no part of the claimed design.  
 For the purposes of this application, the sides of the light mount are mirror images of one another and the ends of the light mount are mirror images of one another.

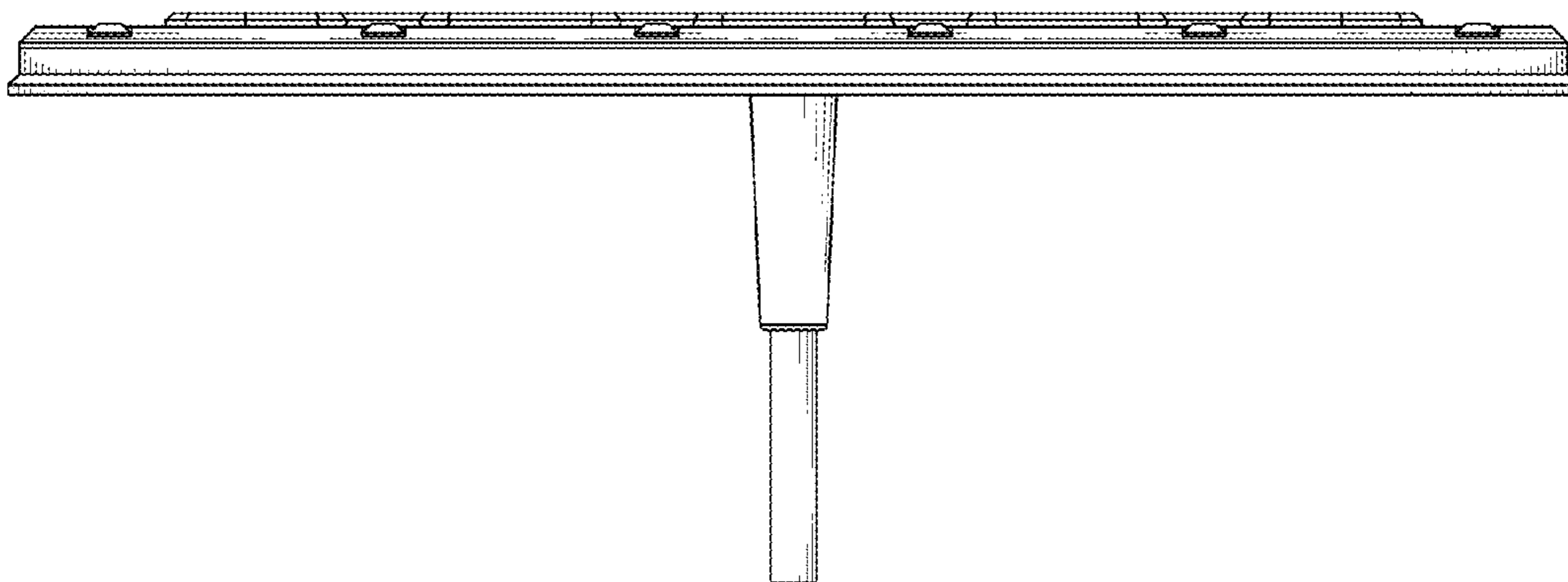
See application file for complete search history.

**1 Claim, 2 Drawing Sheets**

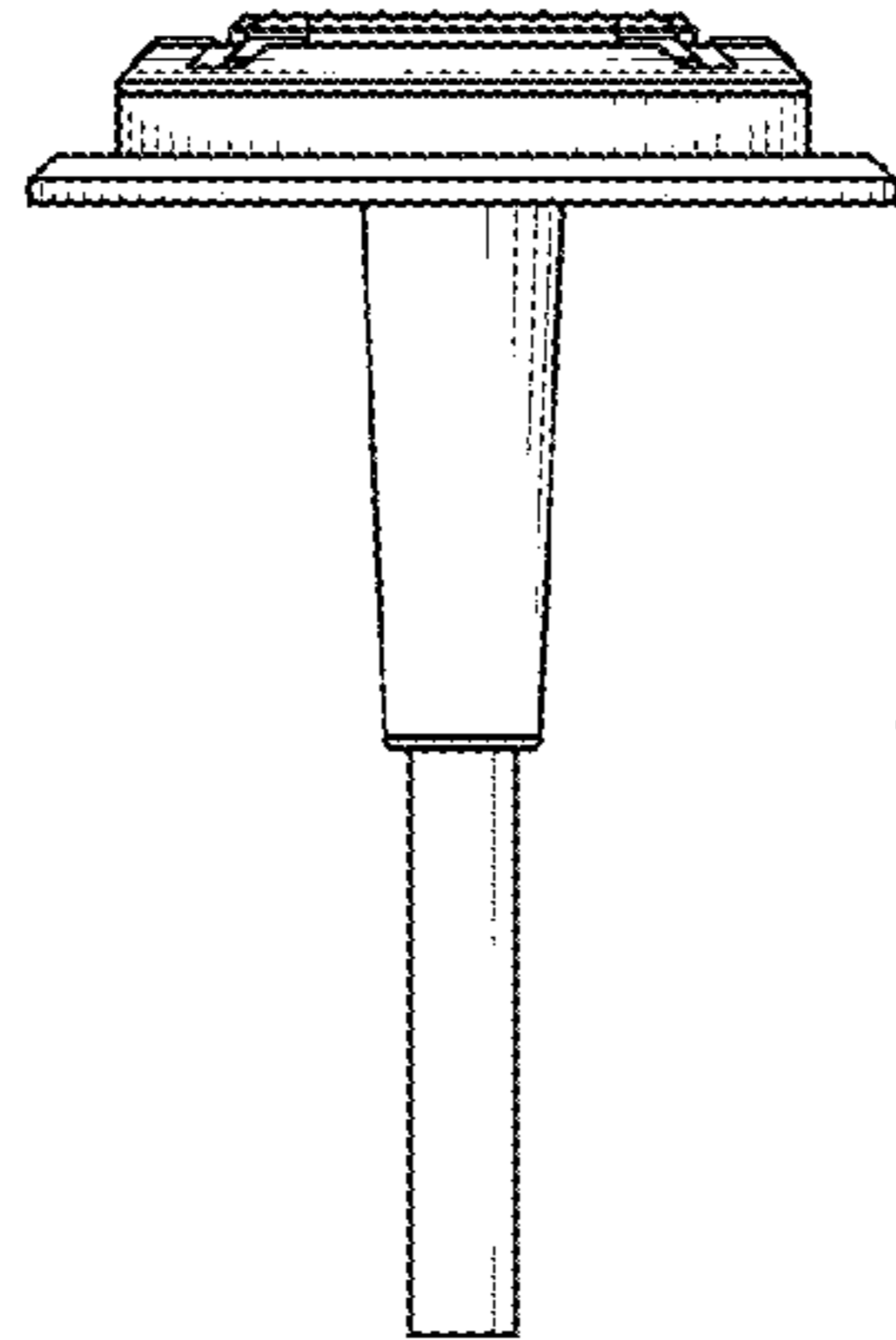




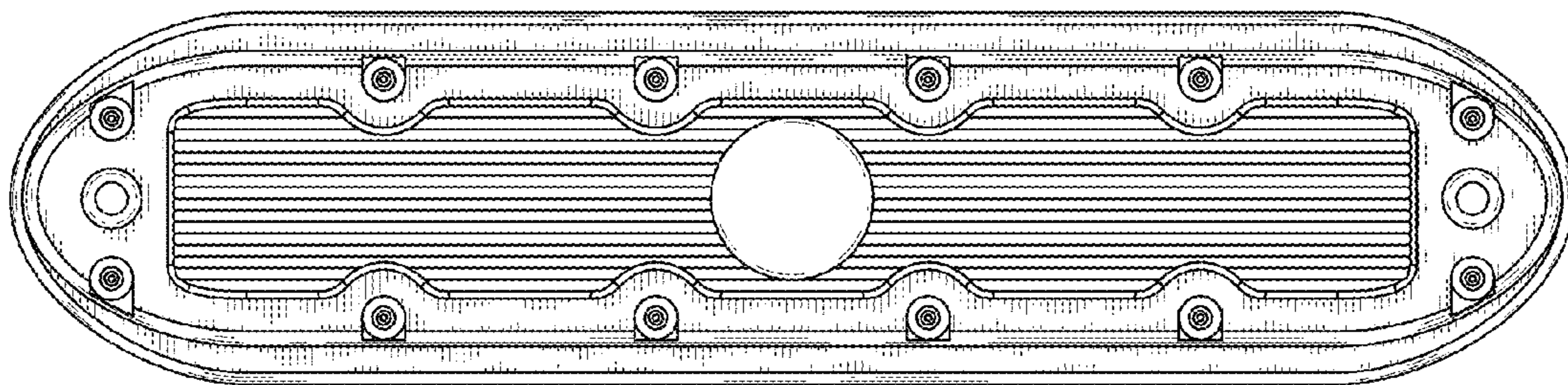
**FIG. 1**



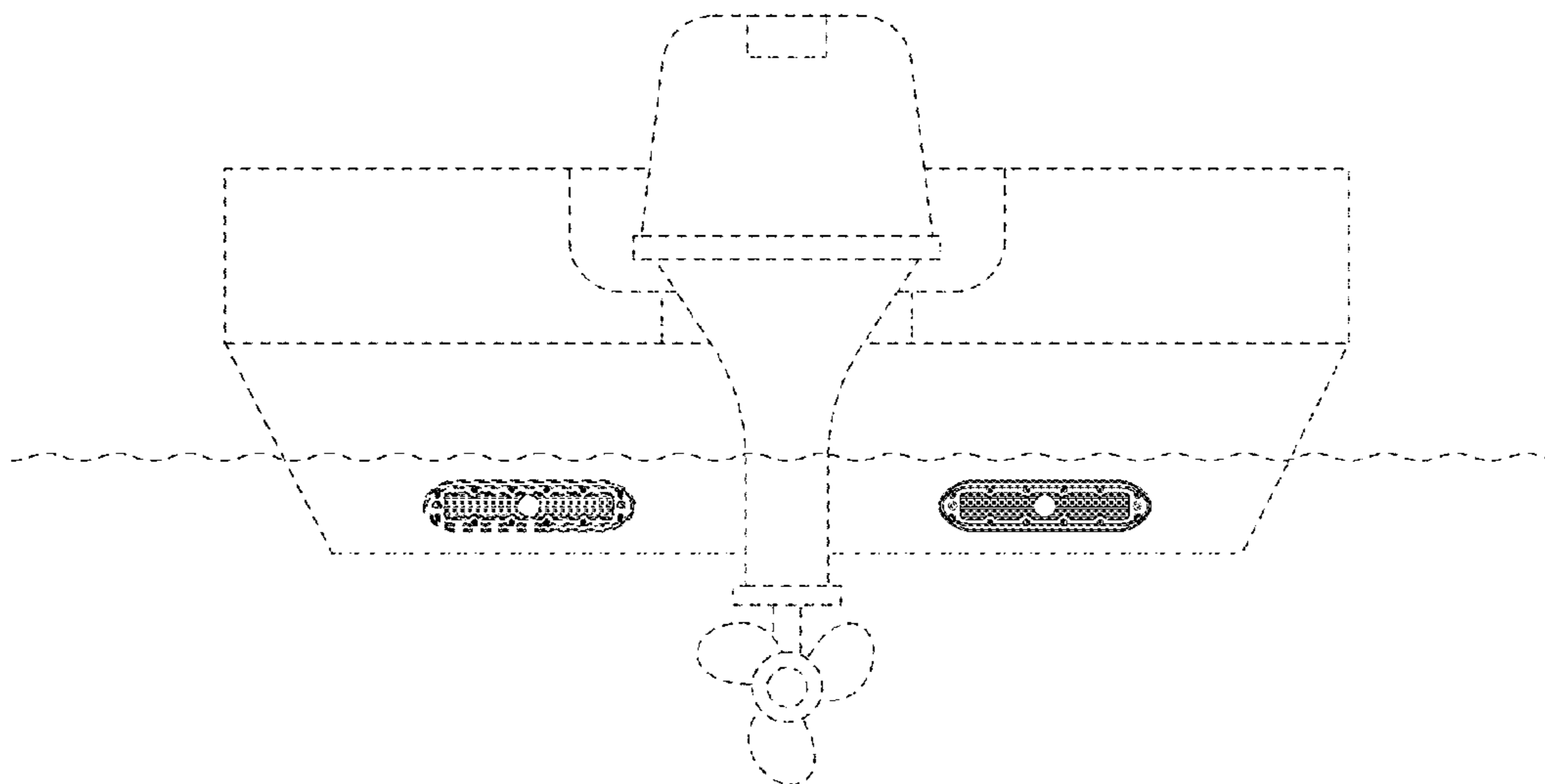
**FIG. 2**



**FIG. 3**



**FIG. 4**



**FIG. 5**