



US00D712088S

(12) **United States Design Patent**
Rogers et al.

(10) **Patent No.:** **US D712,088 S**

(45) **Date of Patent:** **** *Aug. 26, 2014**

(54) **LIGHT MOUNT**

(71) Applicants: **Charles Brian Rogers**, Dunedin, FL (US); **Jeff Tyler Pound**, Seminole, FL (US)

(72) Inventors: **Charles Brian Rogers**, Dunedin, FL (US); **Jeff Tyler Pound**, Seminole, FL (US)

(73) Assignee: **Shadow-Castre LED Lighting LLC**, Dunedin, FL (US)

(*) Notice: This patent is subject to a terminal disclaimer.

(**) Term: **14 Years**

(21) Appl. No.: **29/448,816**

(22) Filed: **Mar. 14, 2013**

(51) **LOC (10) Cl.** **26-99**

(52) **U.S. Cl.**
USPC **D26/142**

(58) **Field of Classification Search**
CPC F21V 7/00; F21V 15/04; F21V 31/00; F21S 48/00; F21S 48/10; F21S 48/1104; F21S 48/125; F21S 48/20; B60Q 1/0005; B60Q 1/0011; B60Q 1/007; B60Q 1/0094; B60Q 1/04
USPC D26/35, 36, 39, 51, 62, 67, 71, 72, 74, D26/80, 81, 83, 85, 88, 89, 113, 118, 119, D26/128, 138, 139, 140, 142, 155; 362/147, 362/148, 153, 153.1, 183, 186, 300, 301, 362/307, 310, 347, 348, 349, 350, 362, 364, 362/365, 366, 382, 431, 432

See application file for complete search history.

(56) **References Cited**

U.S. PATENT DOCUMENTS

D380,854 S *	7/1997	Bray	D26/142
D440,700 S *	4/2001	Lee	D26/142
D441,128 S *	4/2001	Lee	D26/142
D441,129 S *	4/2001	Lee	D26/142
D505,224 S *	5/2005	Smith et al.	D26/142
D563,003 S *	2/2008	Aleksjew	D26/37
D586,029 S *	2/2009	Copeland	D26/83
D586,492 S *	2/2009	Copeland	D26/83
D611,645 S *	3/2010	Copeland	D26/83
D642,726 S *	8/2011	Khubani	D26/80
D662,644 S *	6/2012	Wauters	D26/83

* cited by examiner

Primary Examiner — Deanna L Pratt

Assistant Examiner — Natasha Vujcic

(74) *Attorney, Agent, or Firm* — The Compton Law Firm, PC; Scott D. Compton

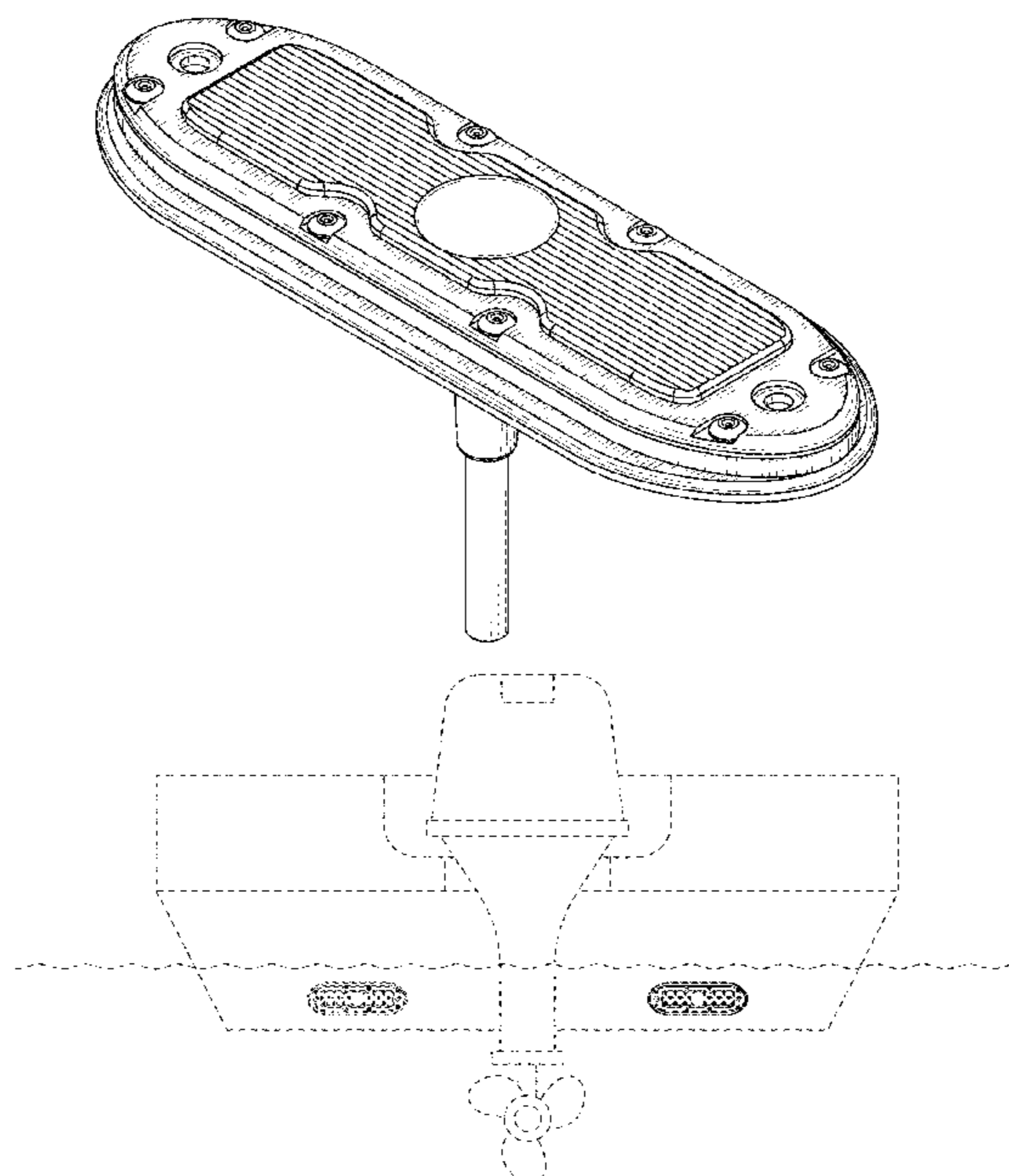
(57) **CLAIM**

The ornamental design for a light mount, as shown and described.

DESCRIPTION

FIG. 1 is a perspective view of a light mount showing our new design;
FIG. 2 is a side view of the same;
FIG. 3 is an end view of the same;
FIG. 4 is a top view of the same; and,
FIG. 5 is another top view of the same, wherein the boat and the water are shown in broken lines for environmental purposes only and form no part of the claimed design.
For the purposes of this application, the sides of the light mount are mirror images of one another and the ends of the light mount are mirror images of one another.

1 Claim, 2 Drawing Sheets



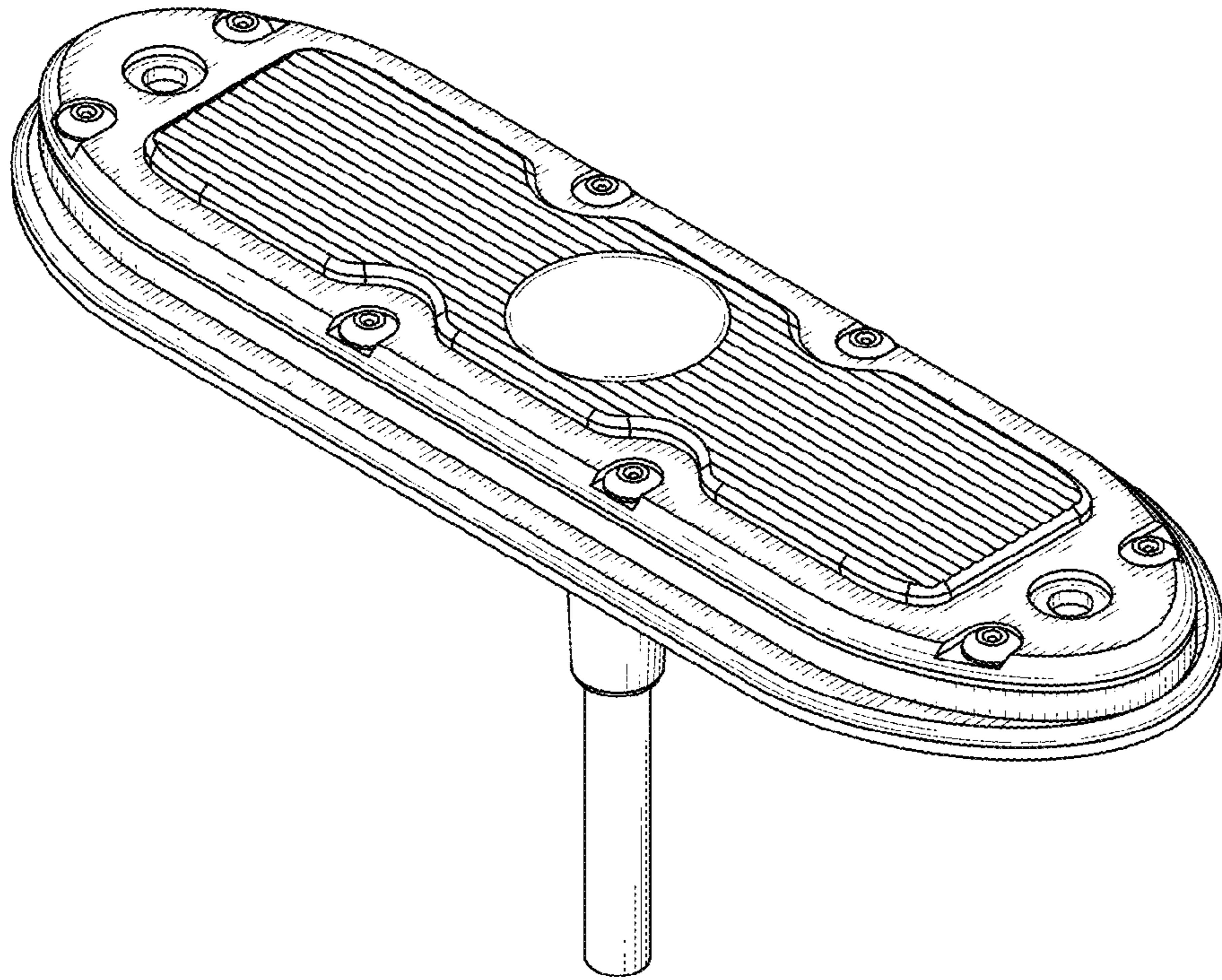


FIG. 1

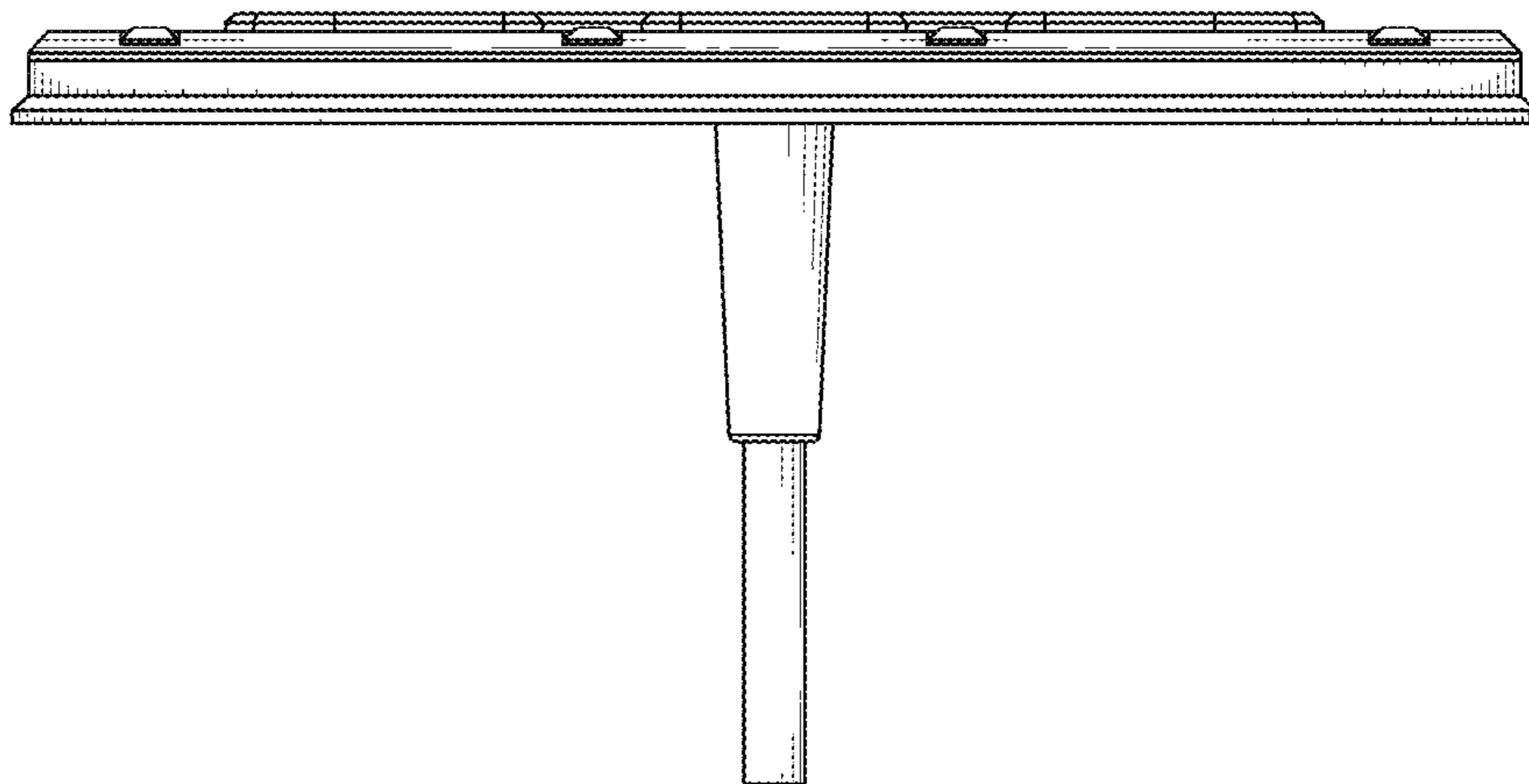


FIG. 2

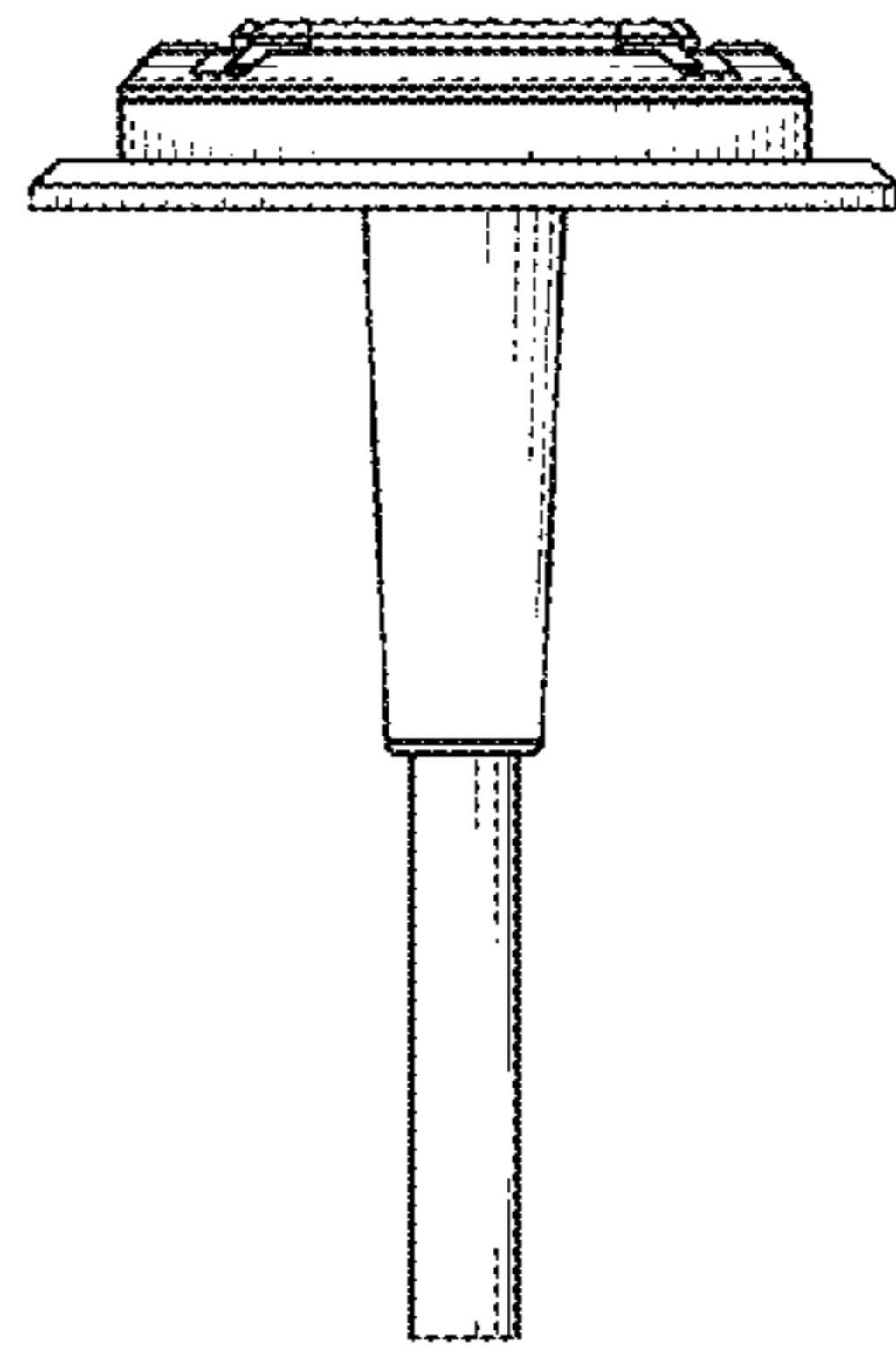


FIG. 3

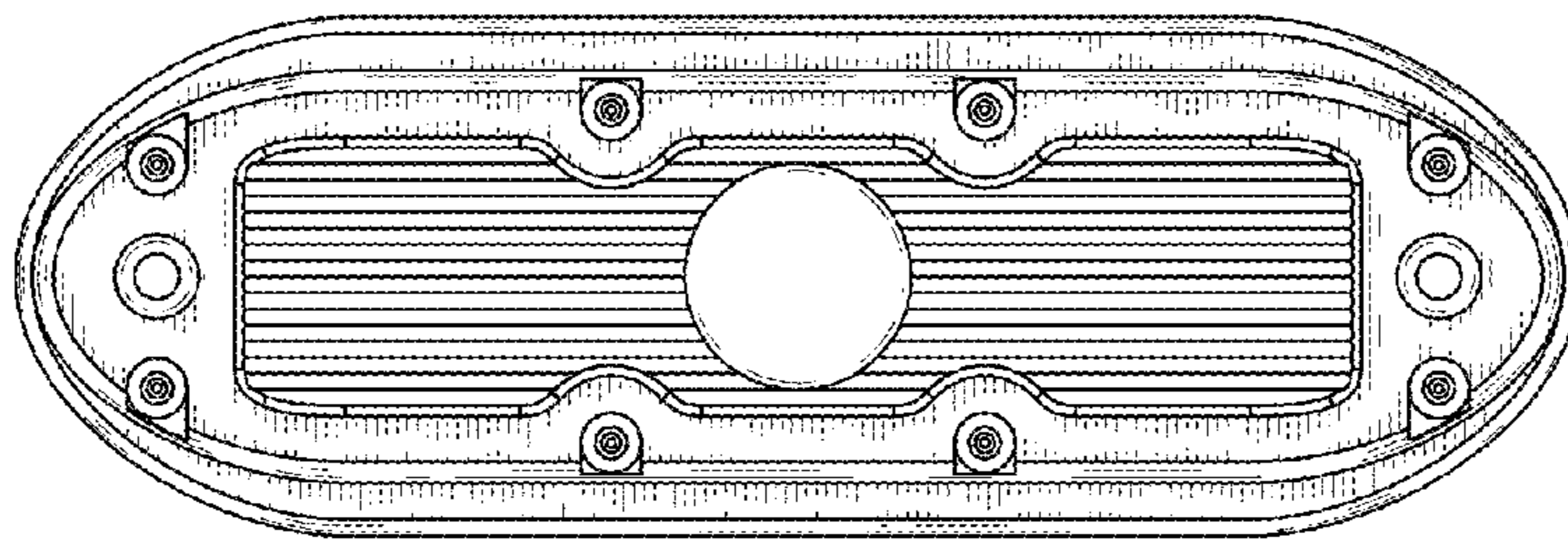


FIG. 4

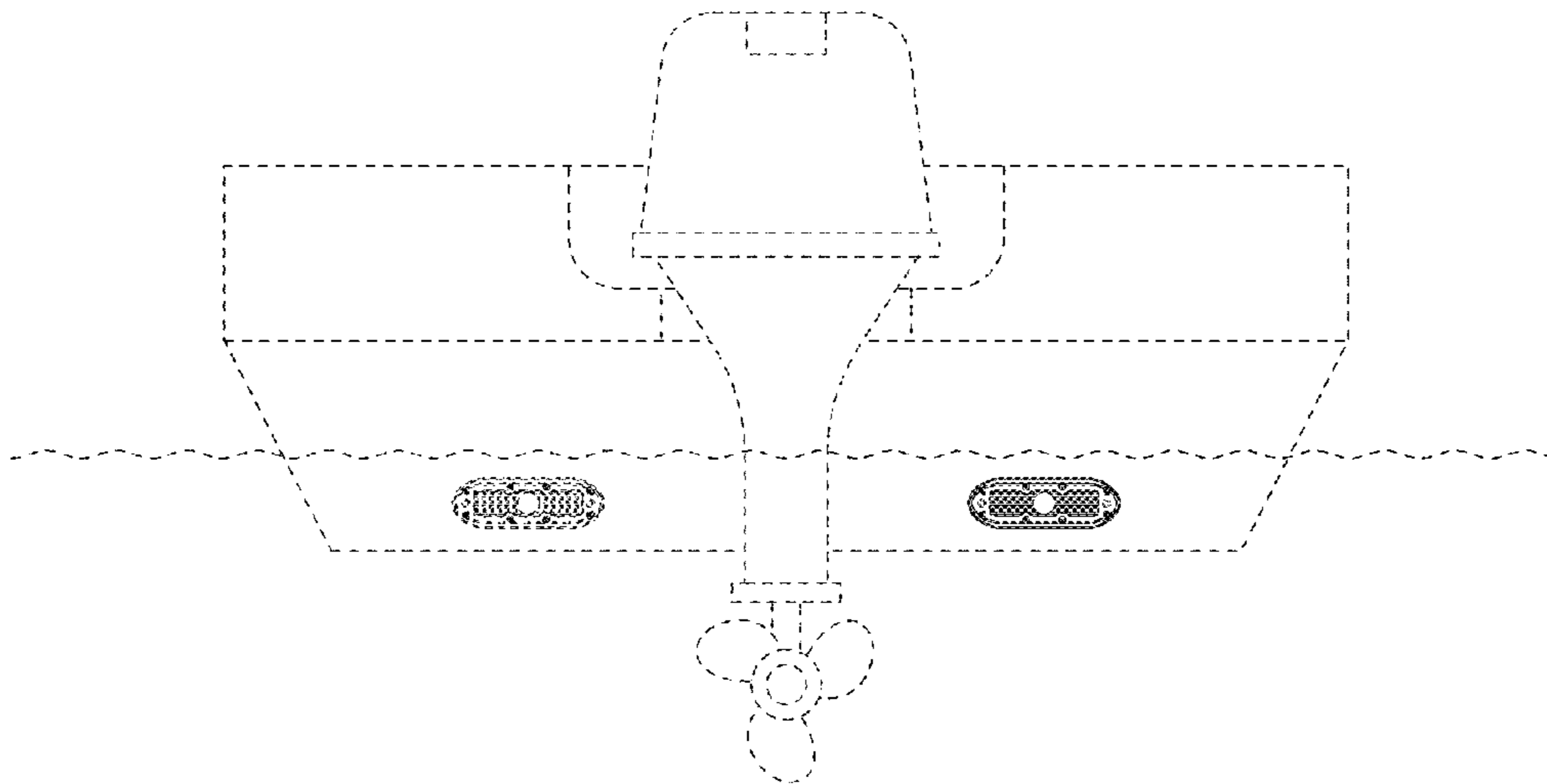


FIG. 5